

US00D529500S

(12) **United States Design Patent**
Chen et al.

(10) **Patent No.:** **US D529,500 S**

(45) **Date of Patent:** **** Oct. 3, 2006**

(54) **LCD MONITOR**

(75) Inventors: **Yung-Hsiang Chen**, Miao-Li (TW);
Che-Min Huang, Miao-Li (TW);
Meng-Tse Tsai, Miao-Li (TW); **Hsin**
Lu, Miao-Li (TW); **Chun-Chien Chen**,
Miao-Li (TW); **Chien-Tung Chu**,
Miao-Li (TW); **Yuan-Pei Lai**, Miao-Li
(TW)

(73) Assignee: **Innolux Display Corp.**, Miao-Li (TW)

(**) Term: **14 Years**

(21) Appl. No.: **29/240,600**

(22) Filed: **Oct. 14, 2005**

(30) **Foreign Application Priority Data**

Jul. 22, 2005 (TW) 94304432

(51) **LOC (8) Cl.** **14-02**

(52) **U.S. Cl.** **D14/375**

(58) **Field of Classification Search** D14/371-375,
D14/125-129; 248/917-924; 341/12; 345/104,
345/156, 168, 173, 901-905; 348/180, 184,
348/325, 739; 349/1, 2, 11, 62

See application file for complete search history.

(56) **References Cited**

U.S. PATENT DOCUMENTS

D425,035 S * 5/2000 Kondo et al. D14/375
D468,311 S * 1/2003 Lee D14/375
D469,091 S * 1/2003 Hasegawa et al. D14/375
D476,335 S * 6/2003 Miao et al. D14/375

* cited by examiner

Primary Examiner—Freda S. Nunn

(74) *Attorney, Agent, or Firm*—Wei Te Chung

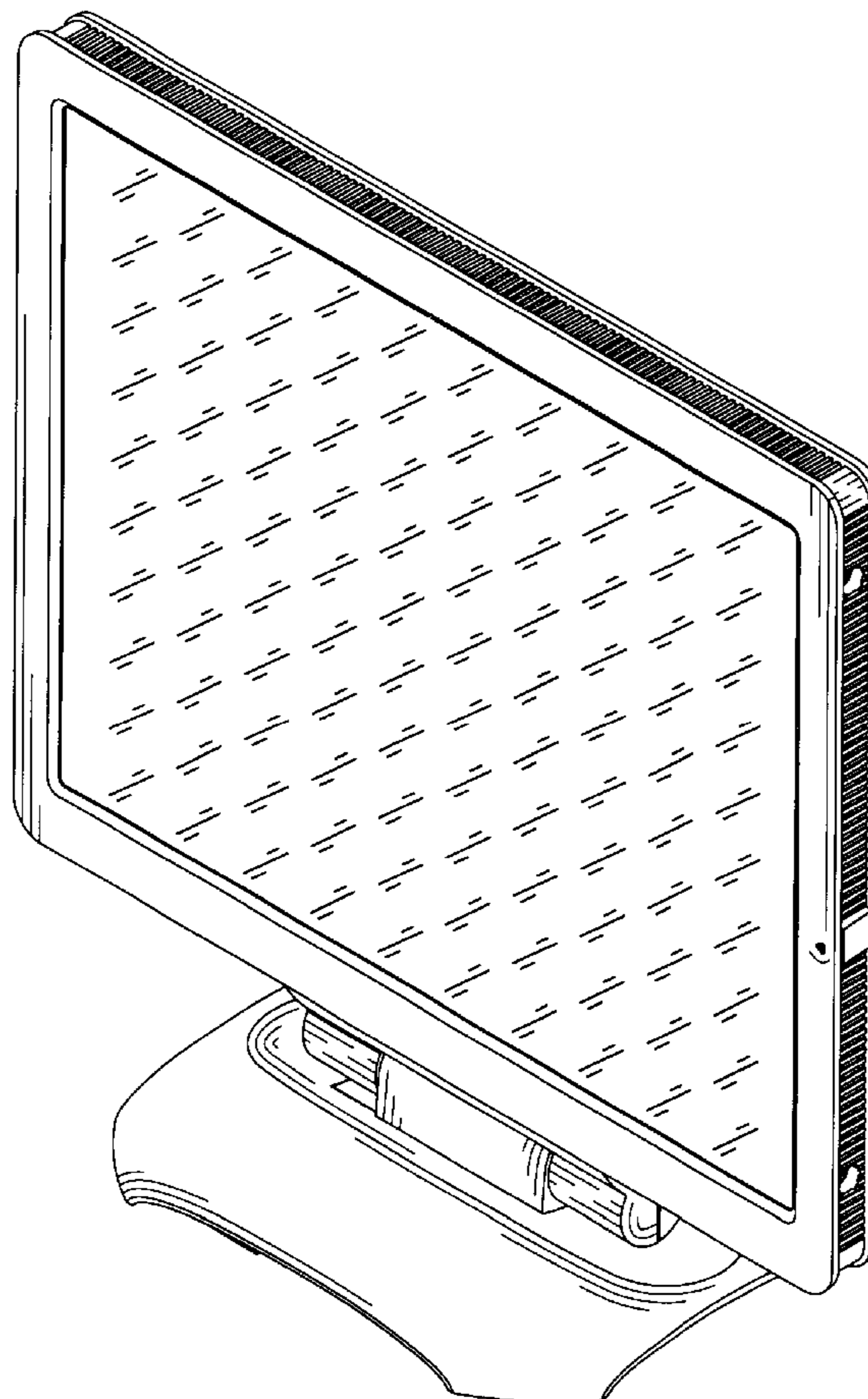
(57) **CLAIM**

The ornamental design for a LCD monitor, as shown and described.

DESCRIPTION

FIG. 1 is a front, top, right-side perspective view of a LCD monitor showing our new design;
FIG. 2 is a front elevational view thereof;
FIG. 3 is a rear elevational view thereof;
FIG. 4 is a left side elevational view thereof;
FIG. 5 is a right side elevational view thereof;
FIG. 6 is a top plan view thereof; and,
FIG. 7 is a bottom plan view thereof.

1 Claim, 5 Drawing Sheets



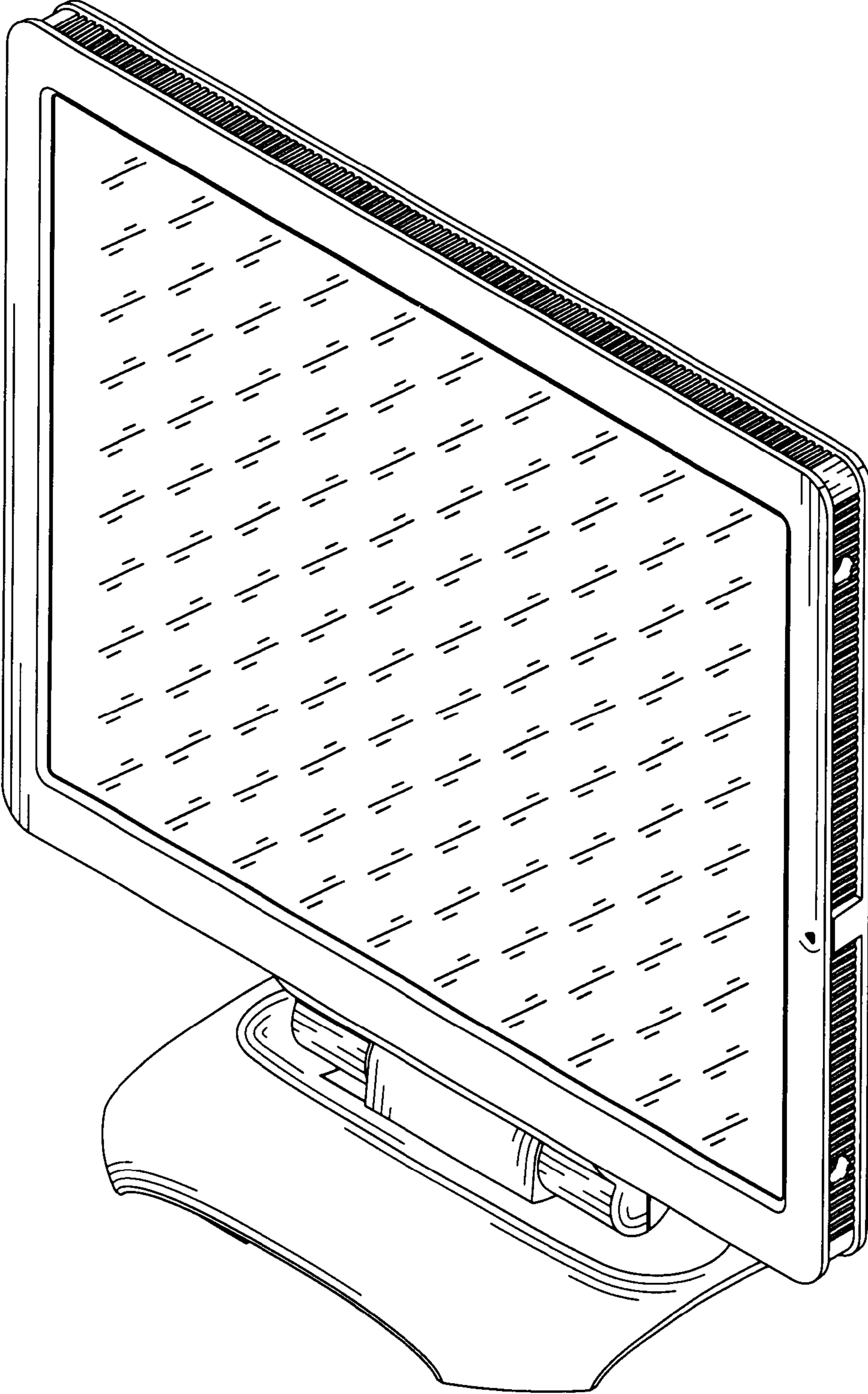


FIG. 1

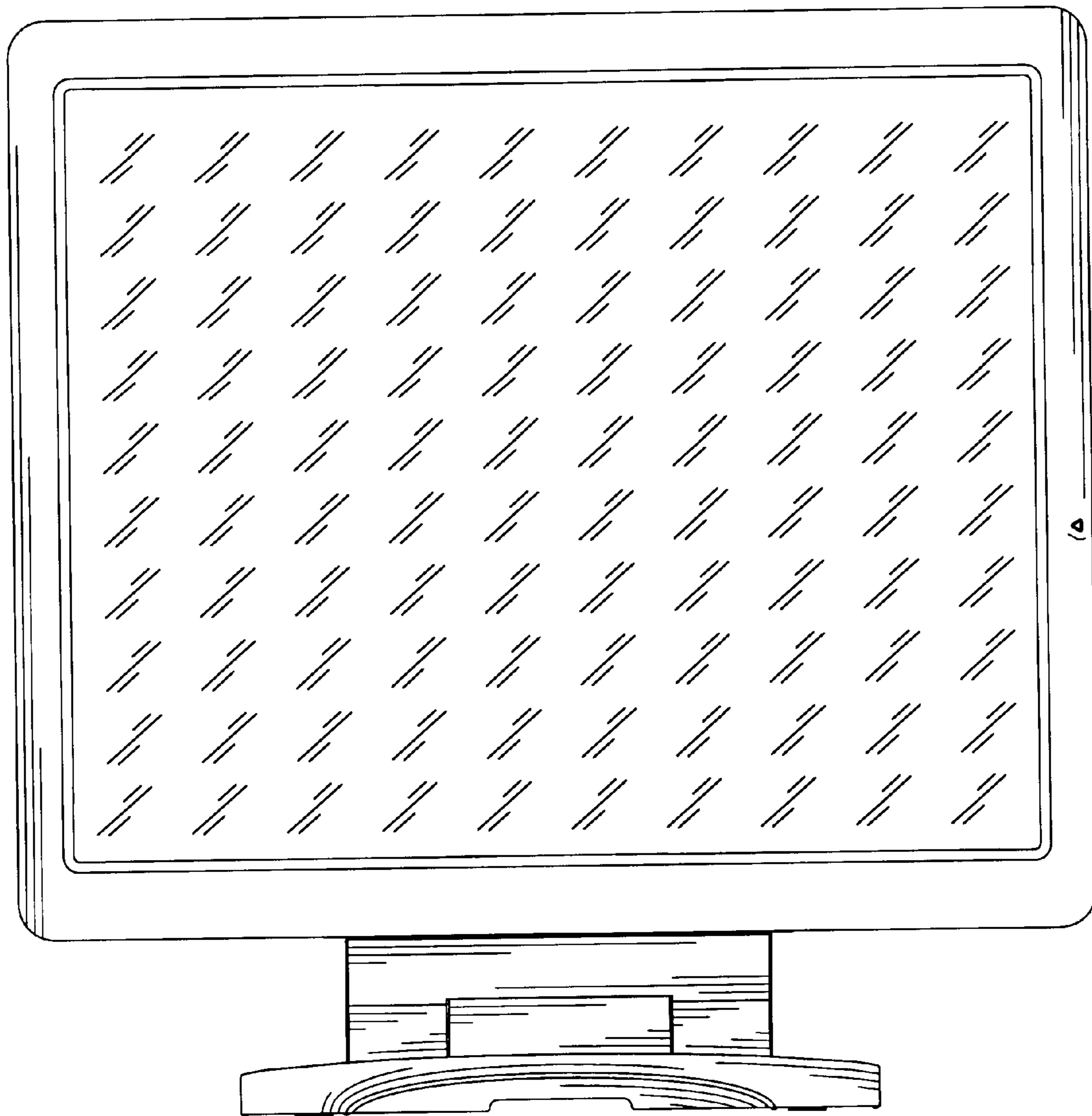


FIG. 2

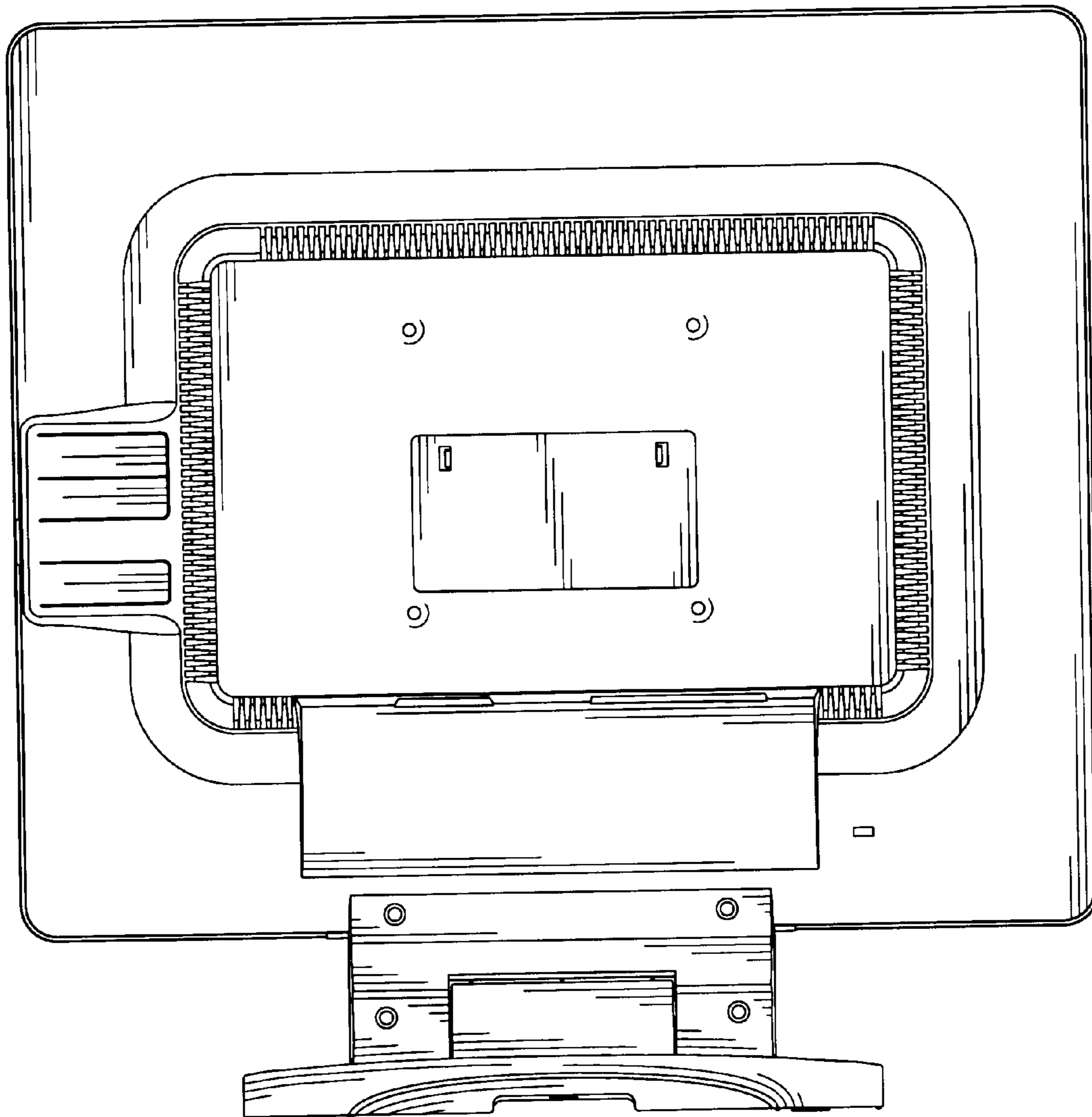


FIG. 3

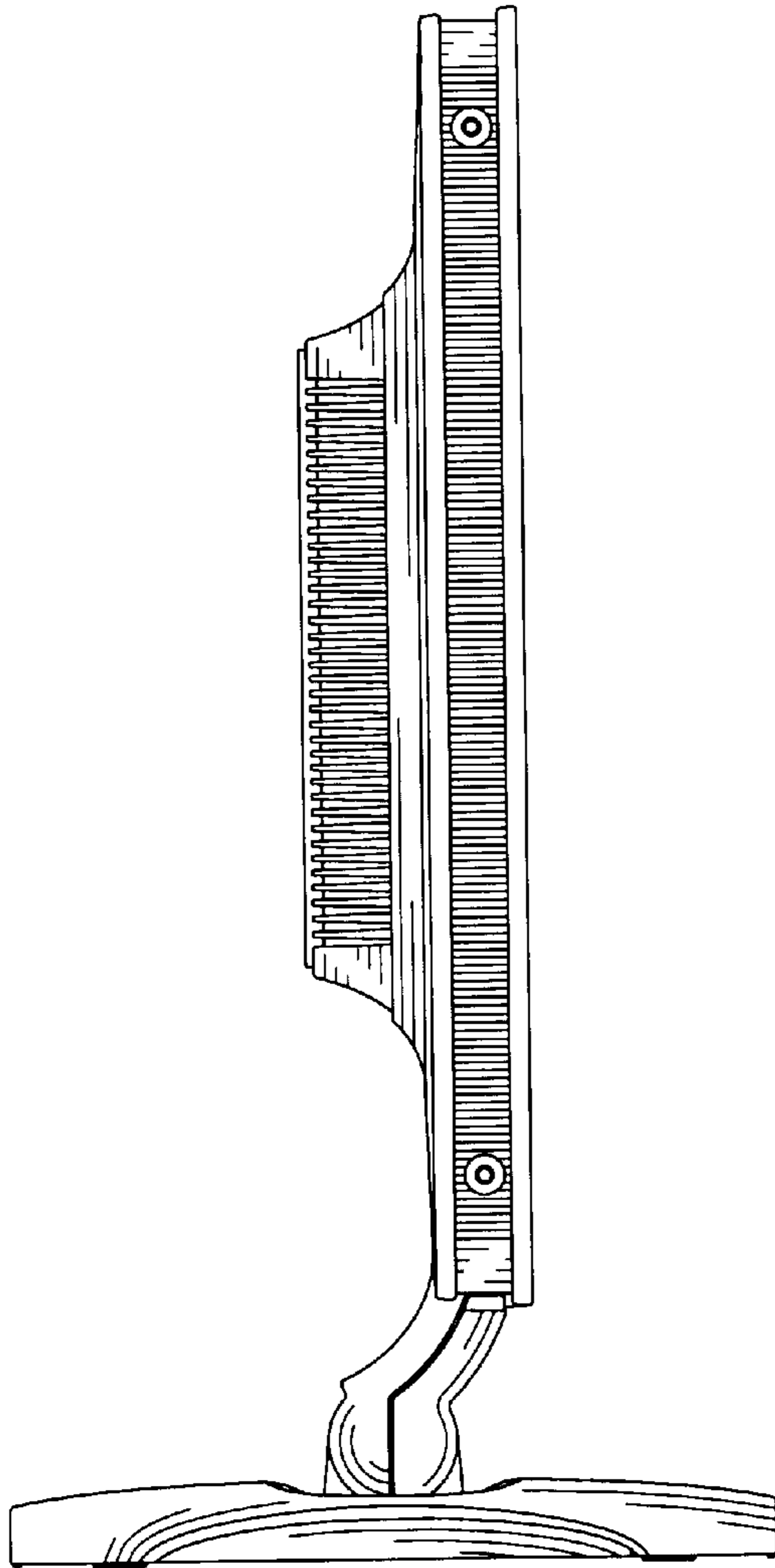


FIG. 4

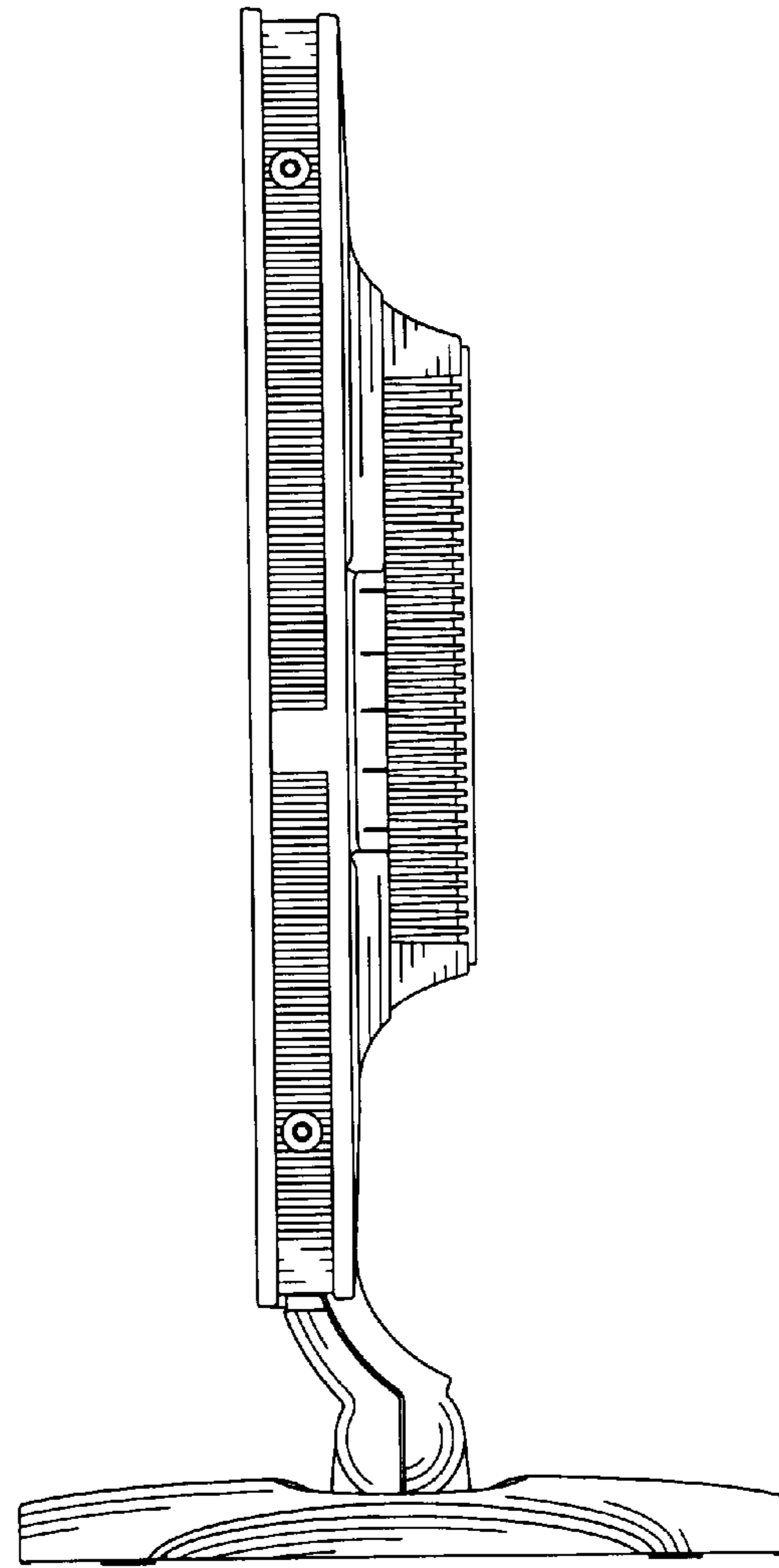


FIG. 5

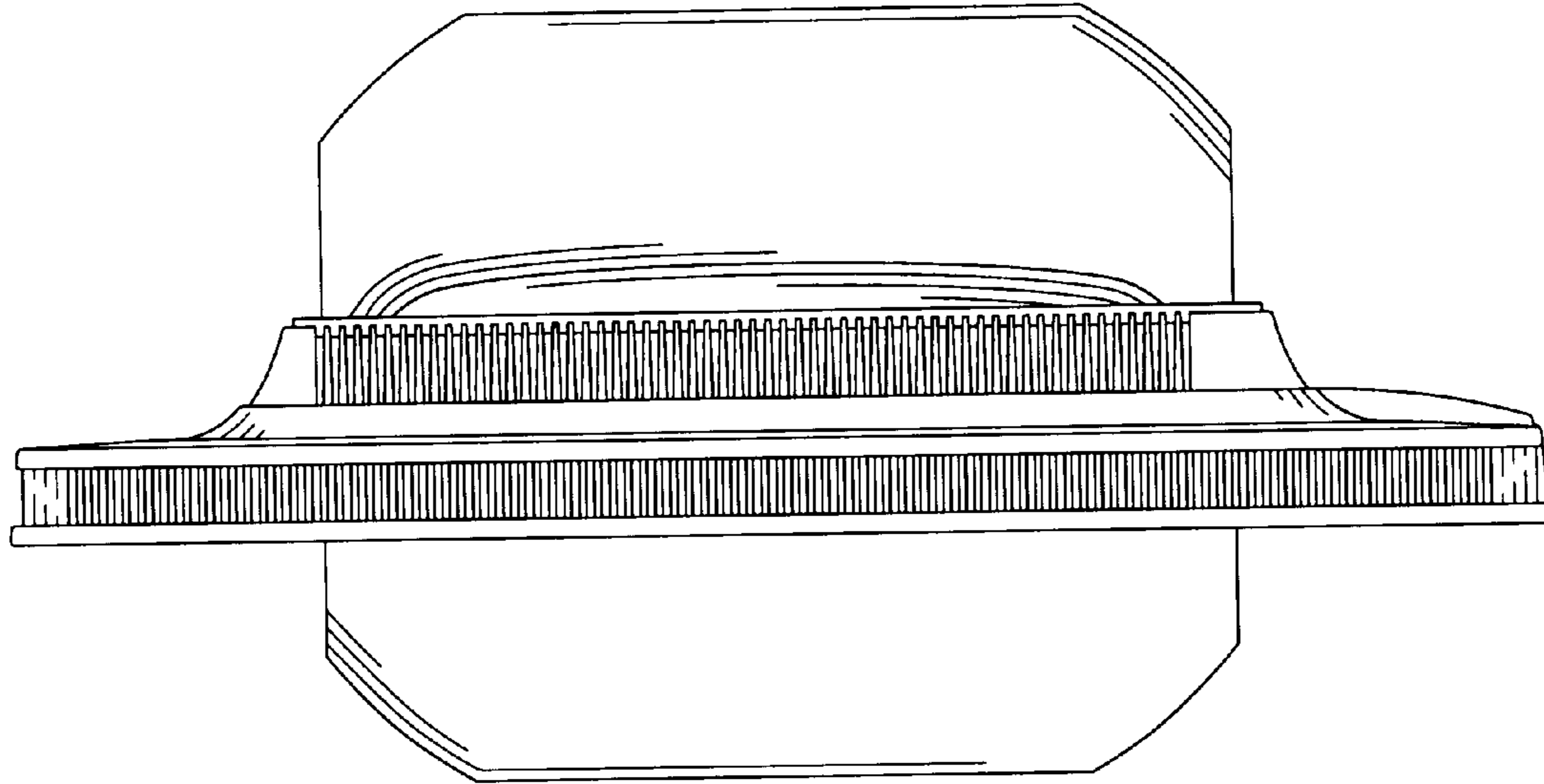


FIG. 6

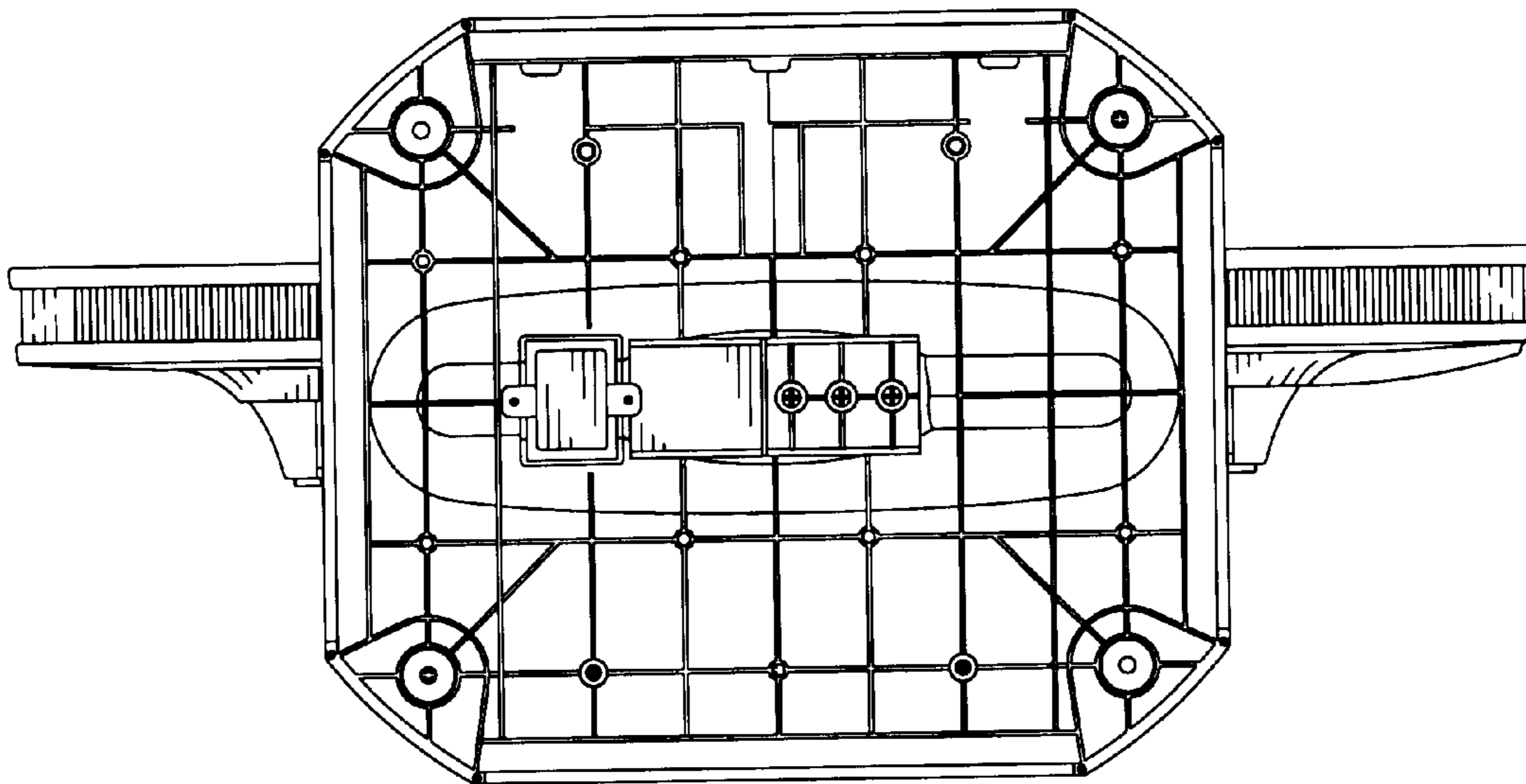


FIG. 7