



US00D529499S

(12) **United States Design Patent**
Chen et al.

(10) **Patent No.:** **US D529,499 S**

(45) **Date of Patent:** **** Oct. 3, 2006**

(54) **LIQUID CRYSTAL DISPLAY DEVICE**

D468,311 S * 1/2003 Lee D14/375
D469,091 S * 1/2003 Hasegawa et al. D14/375
D476,335 S * 6/2003 Miao et al. D14/375

(75) Inventors: **Yung-Hsiang Chen**, Miao-Li (TW);
Che-Min Huang, Miao-Li (TW);
Meng-Tse Tsai, Miao-Li (TW);
Ming-Chih Huang, Miao-Li (TW);
Hsin Lu, Miao-Li (TW)

* cited by examiner

(73) Assignee: **Innolux Display Corp.**, Miao-Li (TW)

Primary Examiner—Freda S. Nunn
(74) *Attorney, Agent, or Firm*—Wei Te Chung

(**) Term: **14 Years**

(57) **CLAIM**

(21) Appl. No.: **29/239,020**

The ornamental design of a liquid crystal display device, as shown and described.

(22) Filed: **Sep. 23, 2005**

DESCRIPTION

(30) **Foreign Application Priority Data**

Jun. 17, 2005 (TW) 94303600

FIG. 1 is a front, top, right side isometric view of a liquid crystal display device showing our new design;

(51) **LOC (8) Cl.** **14-02**

FIG. 2 is a front elevational view thereof;

(52) **U.S. Cl.** **D14/375**

FIG. 3 is a rear elevational view thereof;

(58) **Field of Classification Search** D14/371-375,
D14/125-129; 248/917-924; 341/12; 345/104,
345/156, 168, 173, 901-905; 348/180, 184,
348/325, 739; 349/1, 2, 11, 62

FIG. 4 is a left side elevational view thereof;

See application file for complete search history.

FIG. 5 is a right side elevational view thereof;

FIG. 6 is a top plan view thereof; and,

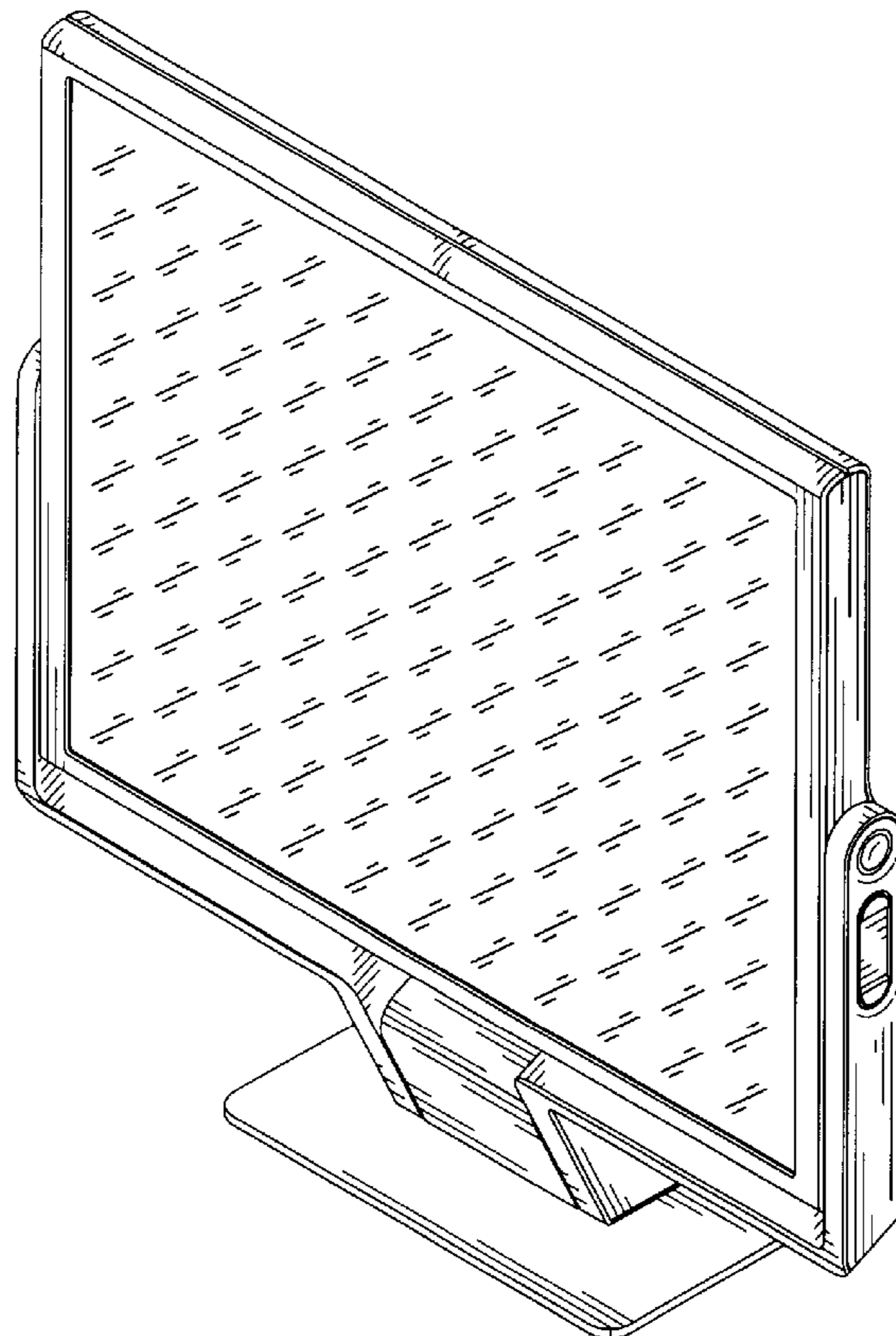
FIG. 7 is a bottom plan view thereof.

(56) **References Cited**

U.S. PATENT DOCUMENTS

D425,035 S * 5/2000 Kondo et al. D14/375

1 Claim, 5 Drawing Sheets



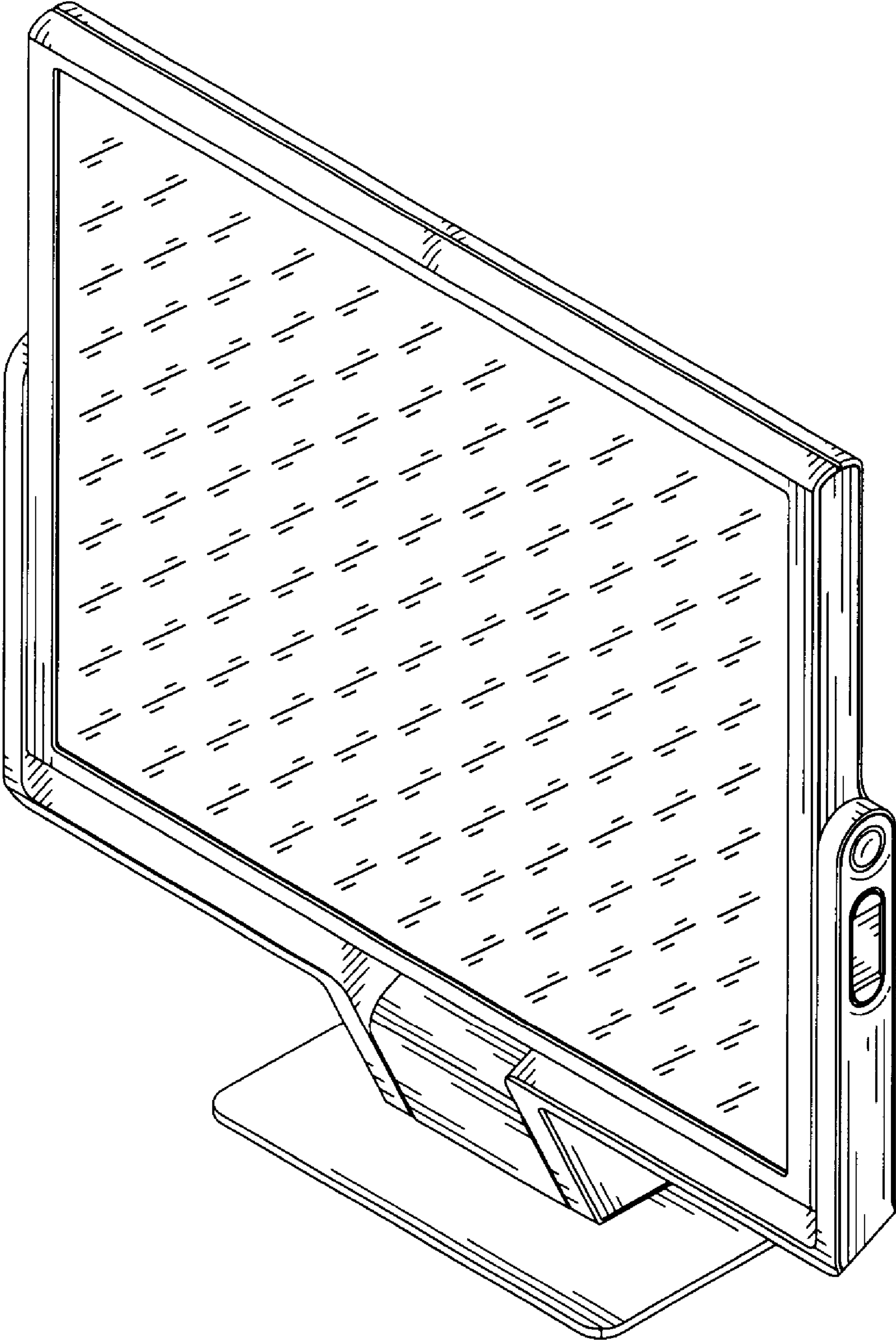


FIG. 1

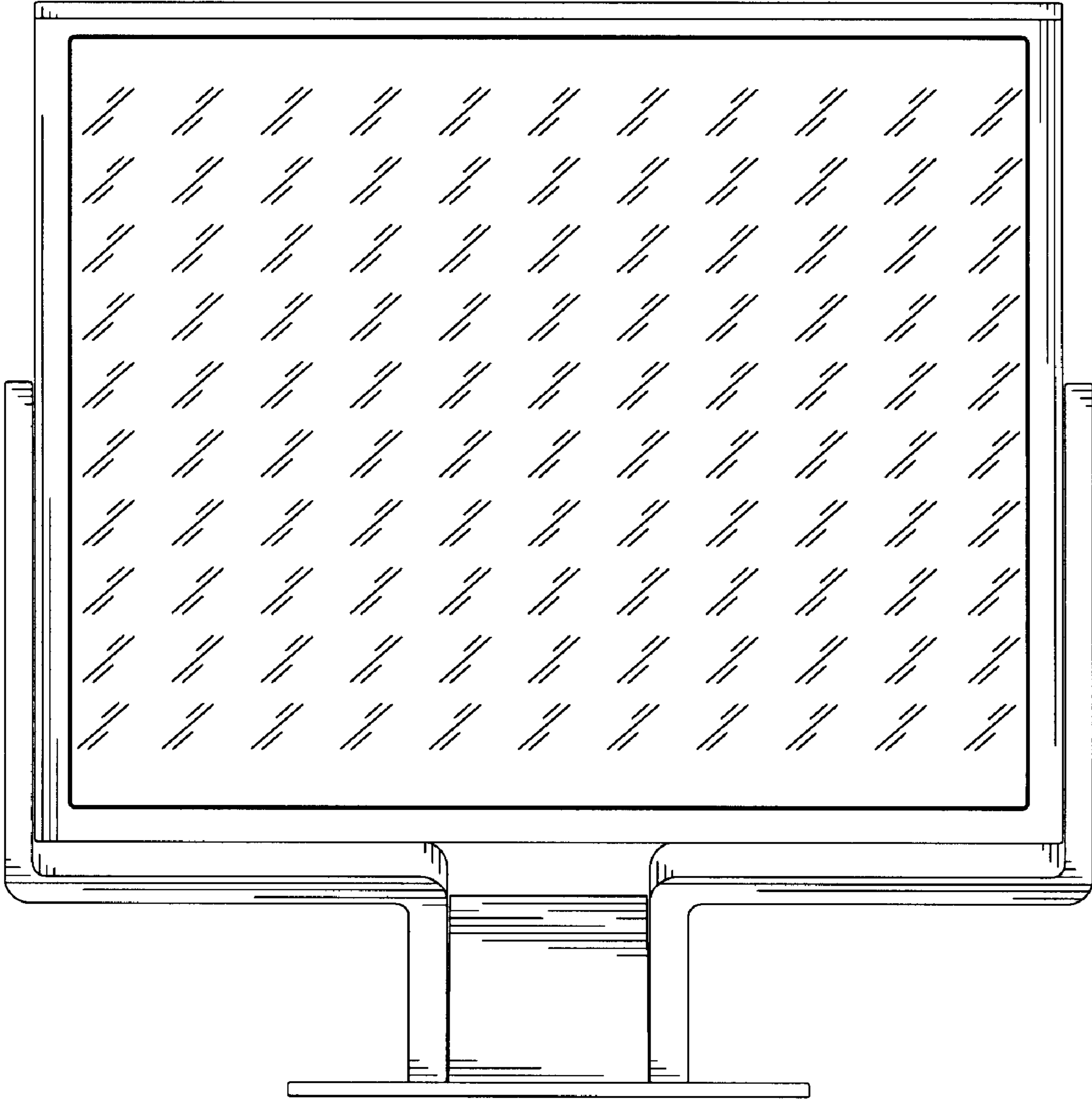


FIG. 2

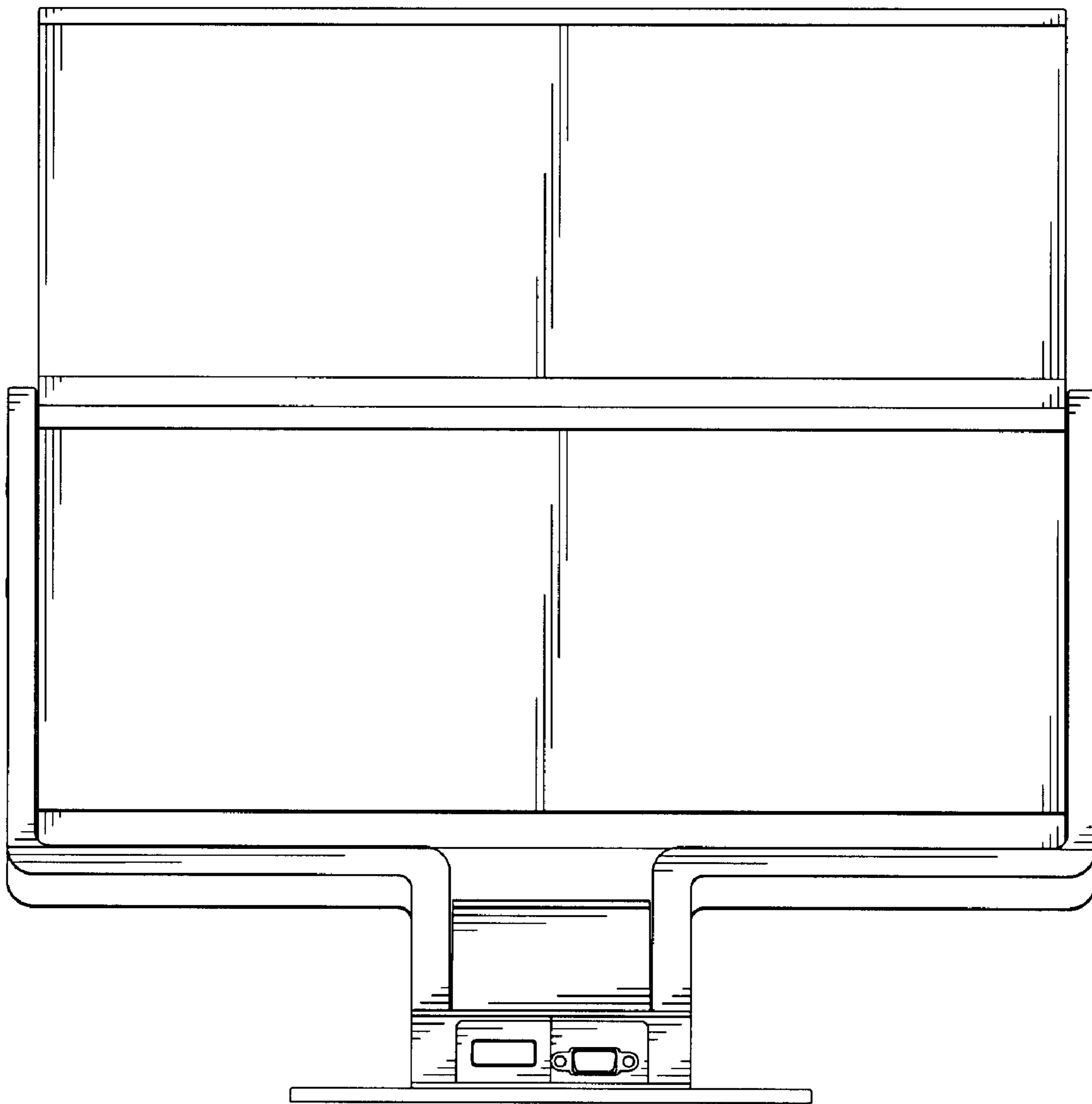


FIG. 3

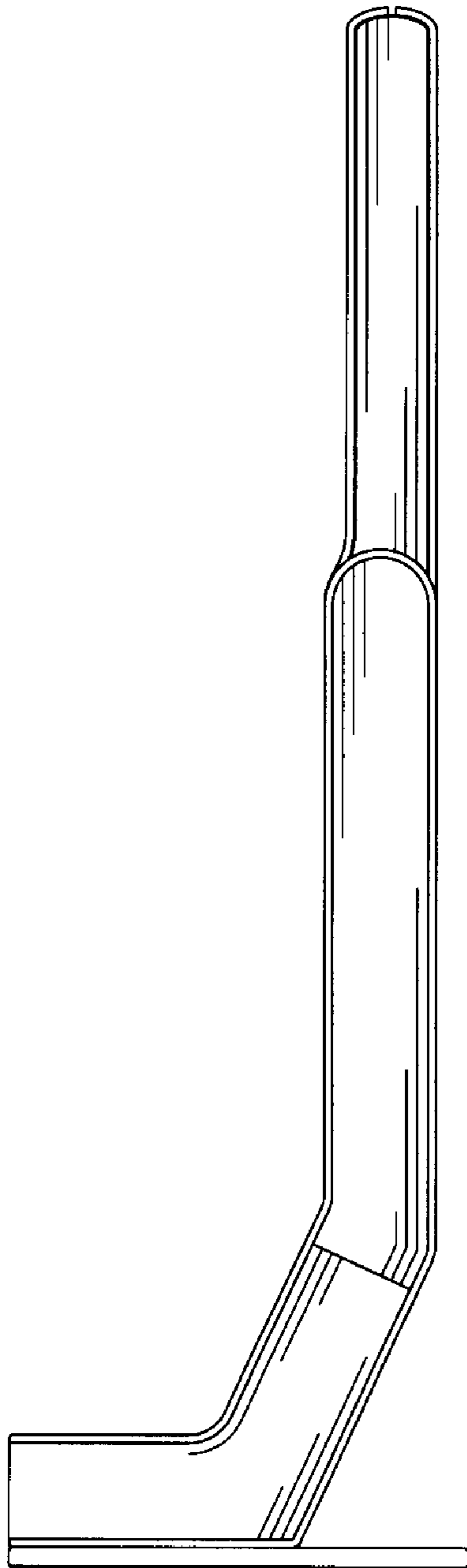


FIG. 4

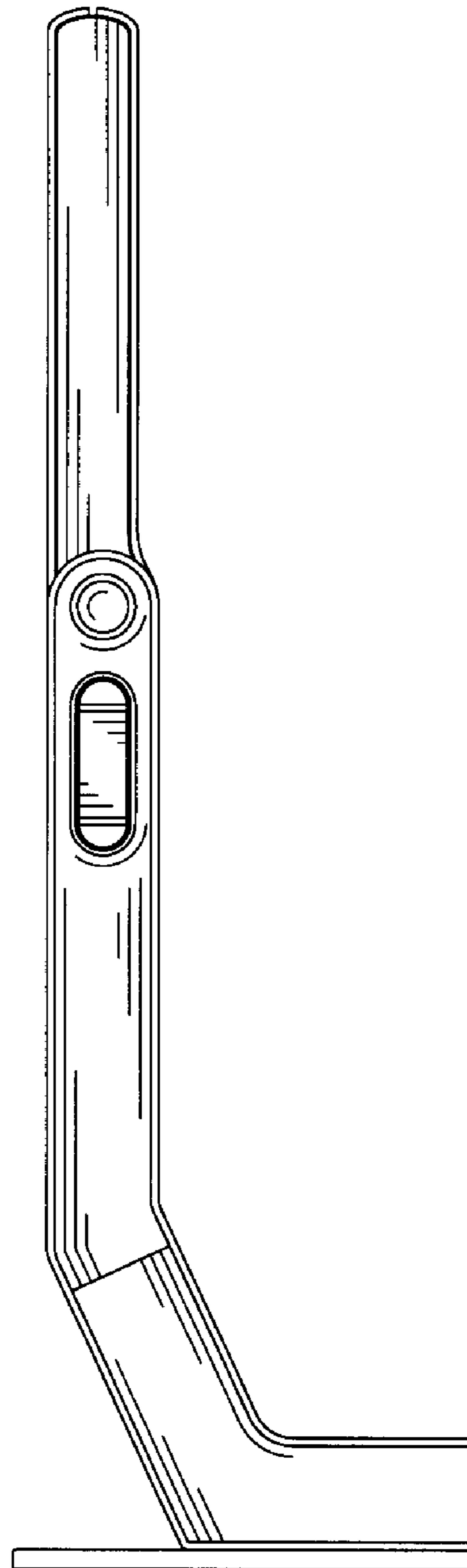


FIG. 5

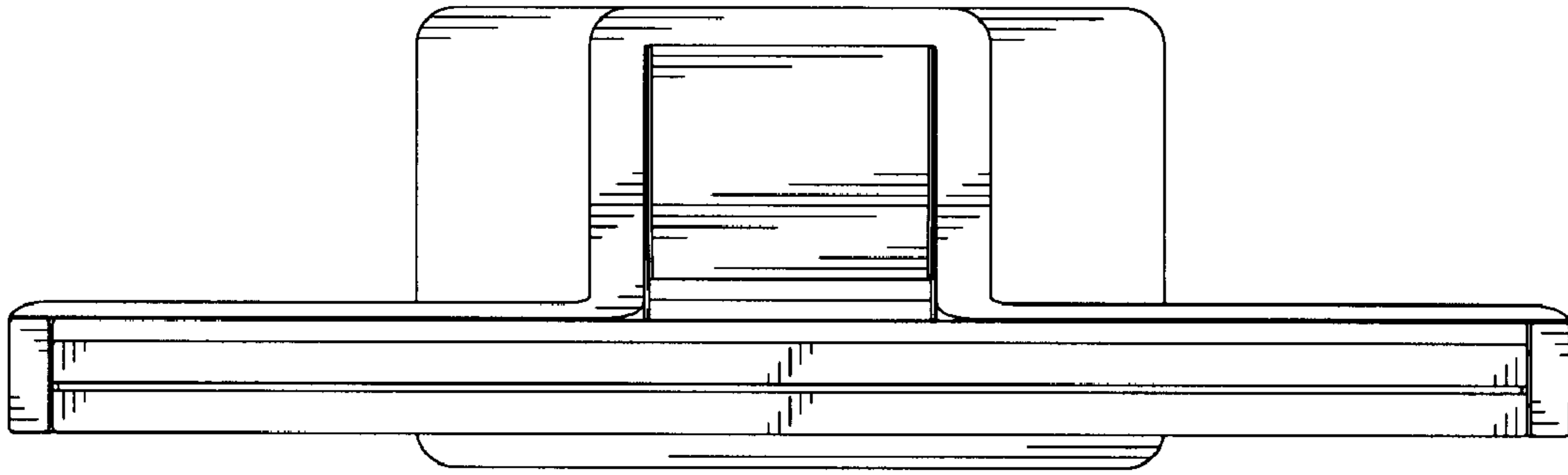


FIG. 6

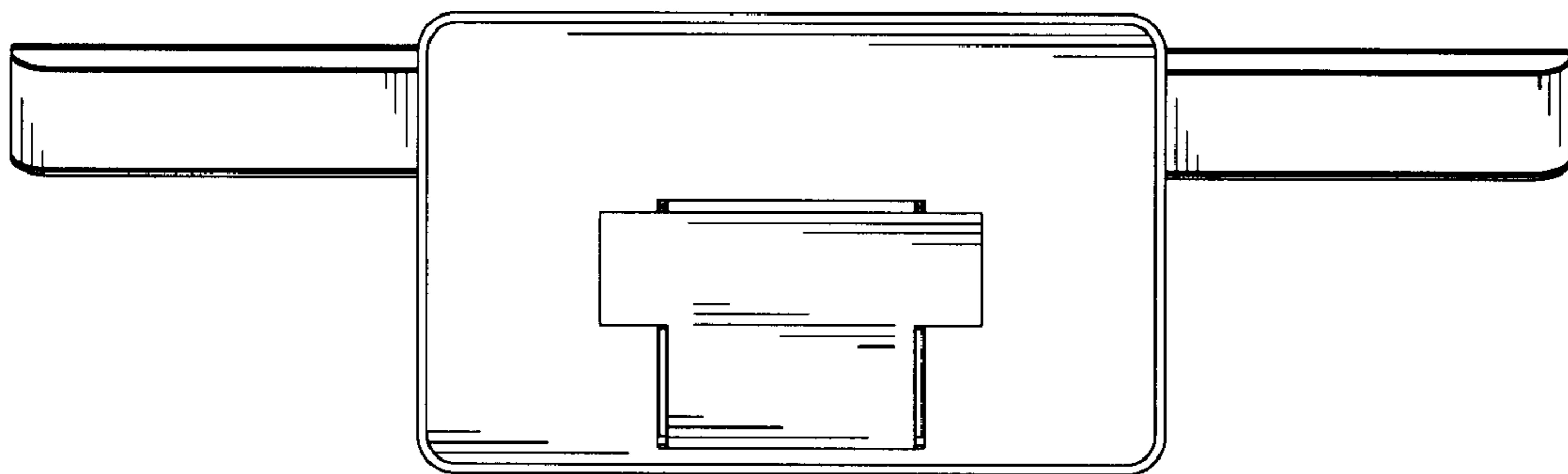


FIG. 7