



US00D529495S

(12) **United States Design Patent**  
**Kent et al.**

(10) **Patent No.:** **US D529,495 S**  
(45) **Date of Patent:** **\*\* Oct. 3, 2006**

(54) **COMPUTER PERIPHERAL HOUSING**

(75) Inventors: **Michael Kent**, Cumberland, RI (US);  
**David Gerard D'Angelo**, Mendon, MA  
(US); **William D. Hester**, Meriden, CT  
(US)

(73) Assignee: **Staples, The Office Superstore, LLC**,  
Framingham, MA (US)

(\*\*) Term: **14 Years**

(21) Appl. No.: **29/229,782**

(22) Filed: **May 11, 2005**

(51) **LOC (8) Cl.** ..... **14-02**

(52) **U.S. Cl.** ..... **D14/356; D14/434**

(58) **Field of Classification Search** ..... D14/125,  
D14/135-7, 156, 167, 239-40, 242-3, 256,  
D14/299, 300-1, 313, 348-9, 351-4, 356-8,  
D14/361, 363, 366-8, 385, 401, 433-4; 455/73,  
455/90.3, 347; 361/679, 685-6

See application file for complete search history.

(56) **References Cited**

**U.S. PATENT DOCUMENTS**

D359,852 S *	7/1995	Wicks	.....	D14/368
D380,199 S *	6/1997	Beruscha et al.	.....	D13/184
D383,732 S *	9/1997	Haley et al.	.....	D14/435
D391,942 S *	3/1998	Lee	.....	D14/341
6,053,773 A	4/2000	Wu		
D430,554 S *	9/2000	Nguyen et al.	.....	D14/191
6,165,016 A	12/2000	Lai		
D436,955 S *	1/2001	Wilson et al.	.....	D14/356
6,231,361 B1	5/2001	Ko et al.		
D448,375 S *	9/2001	Walters et al.	.....	D14/368
6,305,986 B1	10/2001	Hwang		
6,347,948 B1	2/2002	Hwang		
6,361,363 B1	3/2002	Hwang		
D455,426 S *	4/2002	Bowen et al.	.....	D14/368
6,364,699 B1	4/2002	Hwang et al.		
D463,411 S *	9/2002	Stokes et al.	.....	D14/240
6,456,500 B1	9/2002	Chen		
6,486,397 B1	11/2002	Lee		
D468,309 S *	1/2003	Goldenberg	.....	D14/368

D471,183 S *	3/2003	Wang et al.	.....	D14/242
6,554,648 B1	4/2003	Shi et al.		
6,560,099 B1	5/2003	Chang		
6,582,240 B1	6/2003	Suto		
6,589,076 B1	7/2003	Davis et al.		
6,676,419 B1	1/2004	Lin et al.		
6,685,508 B1	2/2004	Zhu et al.		
D494,134 S *	8/2004	Murzanski	.....	D13/110
D502,947 S *	3/2005	Zhang et al.	.....	D14/385

(Continued)

**FOREIGN PATENT DOCUMENTS**

EP	1383037	A2	1/2004
JP	2003 140771	A	5/2003
JP	2004 221048	A	8/2004
JP	2004 280639	A	10/2004

*Primary Examiner*—Robin Webster

*Assistant Examiner*—Karen E. Patterson

(74) *Attorney, Agent, or Firm*—Wolf, Greenfield & Sacks,  
P.C.

(57) **CLAIM**

The ornamental design for a computer peripheral housing, as shown and described.

**DESCRIPTION**

FIG. 1 is a side, top perspective view of the computer peripheral housing.

FIG. 2 is a top view thereof.

FIG. 3 is a left side view thereof, the right side view thereof being a mirror image thereof.

FIG. 4 is a front view thereof.

FIG. 5 is a rear view thereof.

FIG. 6 is a bottom view thereof;

FIG. 7 is a side, top, perspective view of the computer peripheral housing, with a housing member slid in an open position and exposing the computer peripheral.

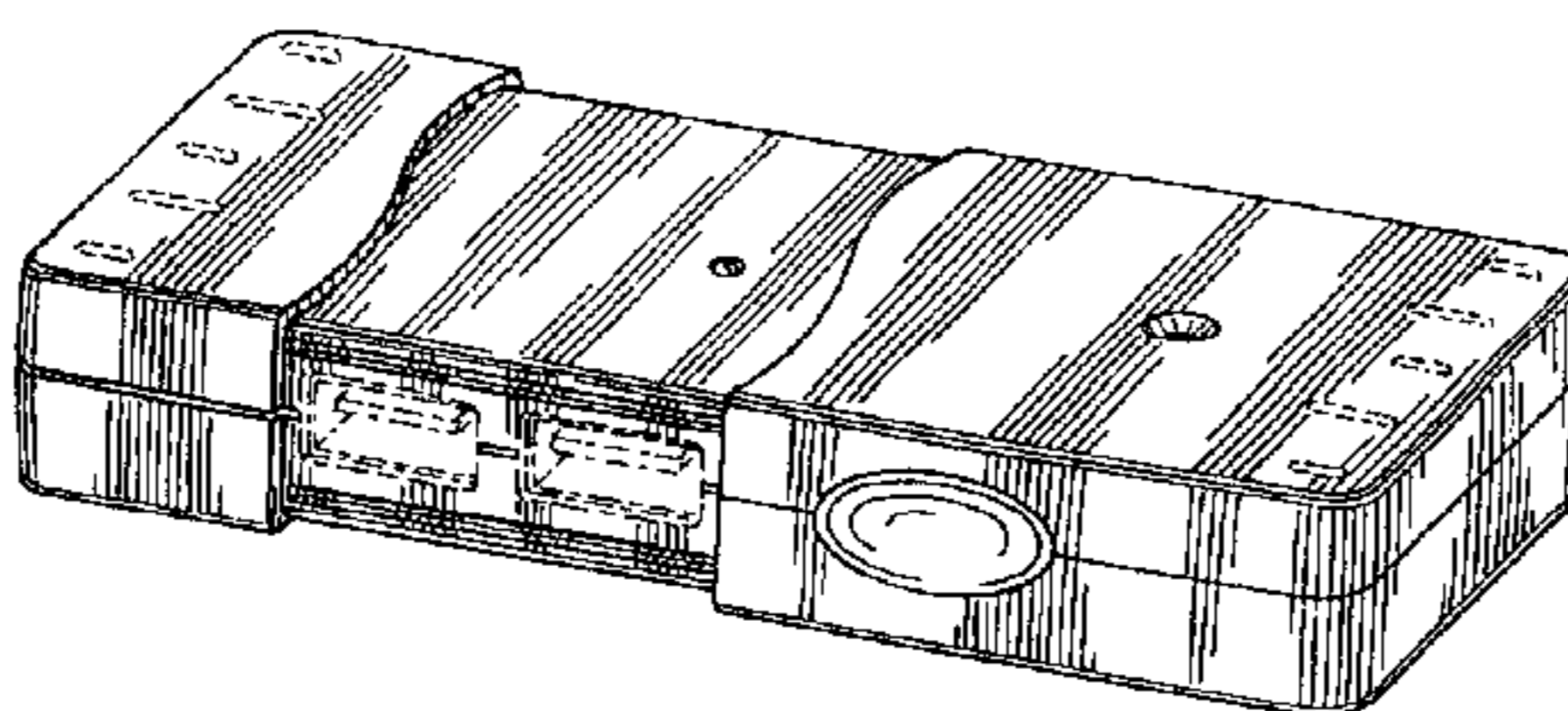
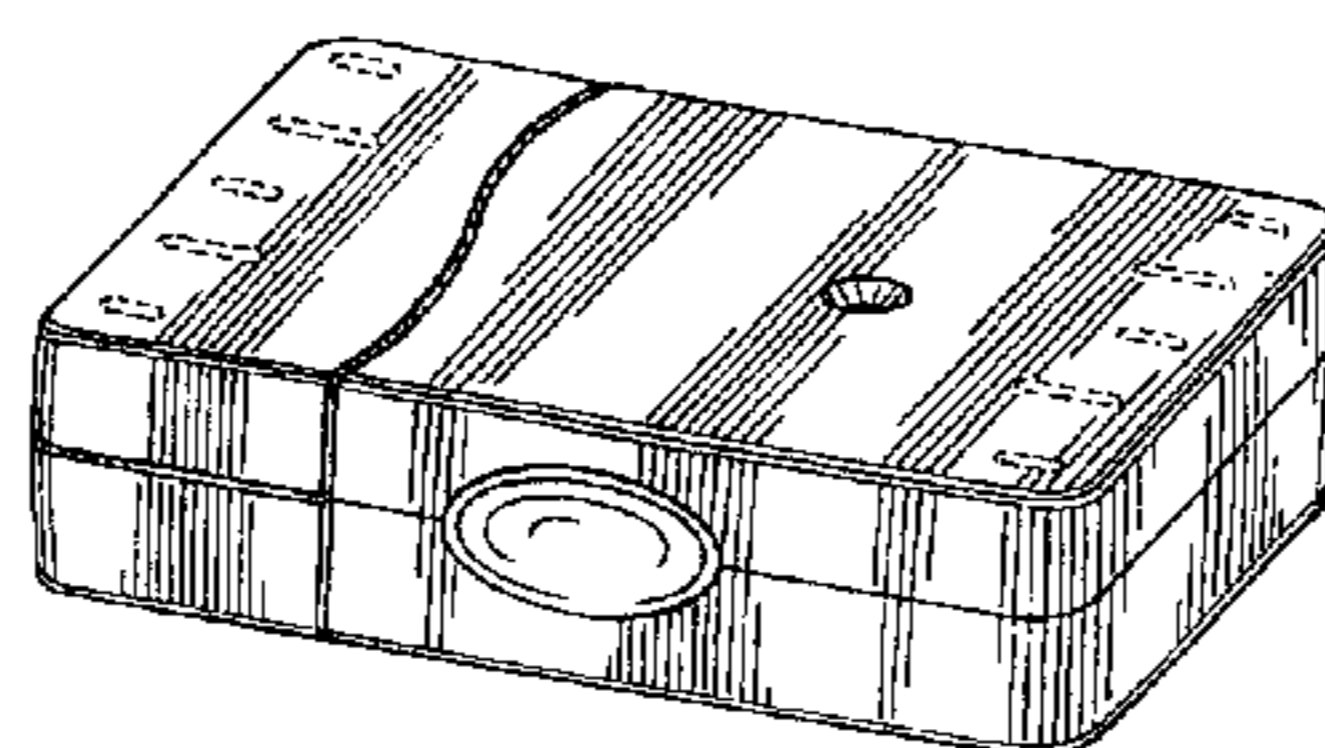
FIG. 8 is a top view thereof.

FIG. 9 is a left side view thereof, the right side view thereof being a mirror image thereof; and,

FIG. 10 is a bottom view thereof.

The broken line showing of surface ridges and computer ports is for illustration of environmental structure only and forms no part of the claimed design.

**1 Claim, 3 Drawing Sheets**



# US D529,495 S

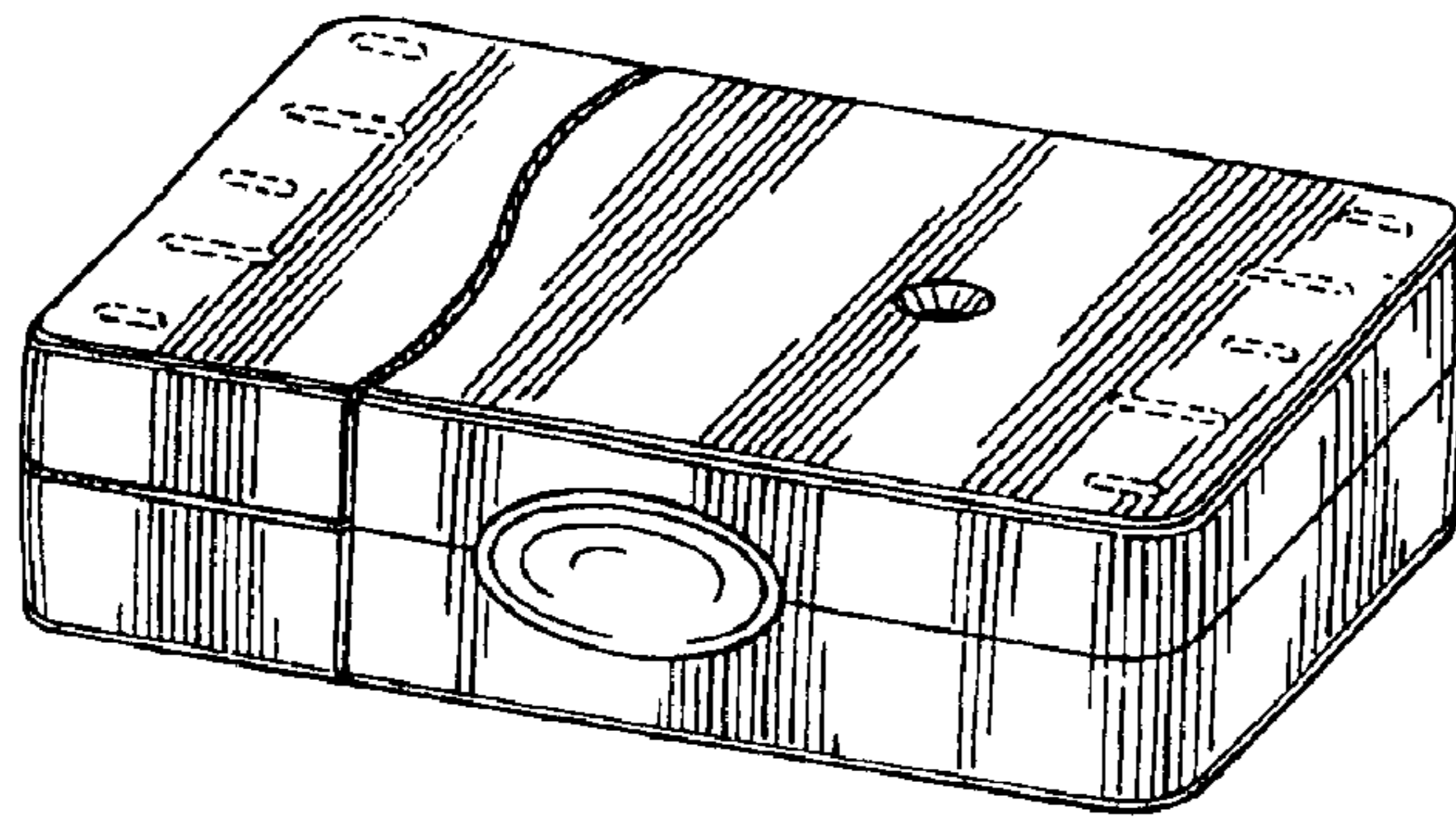
Page 2

---

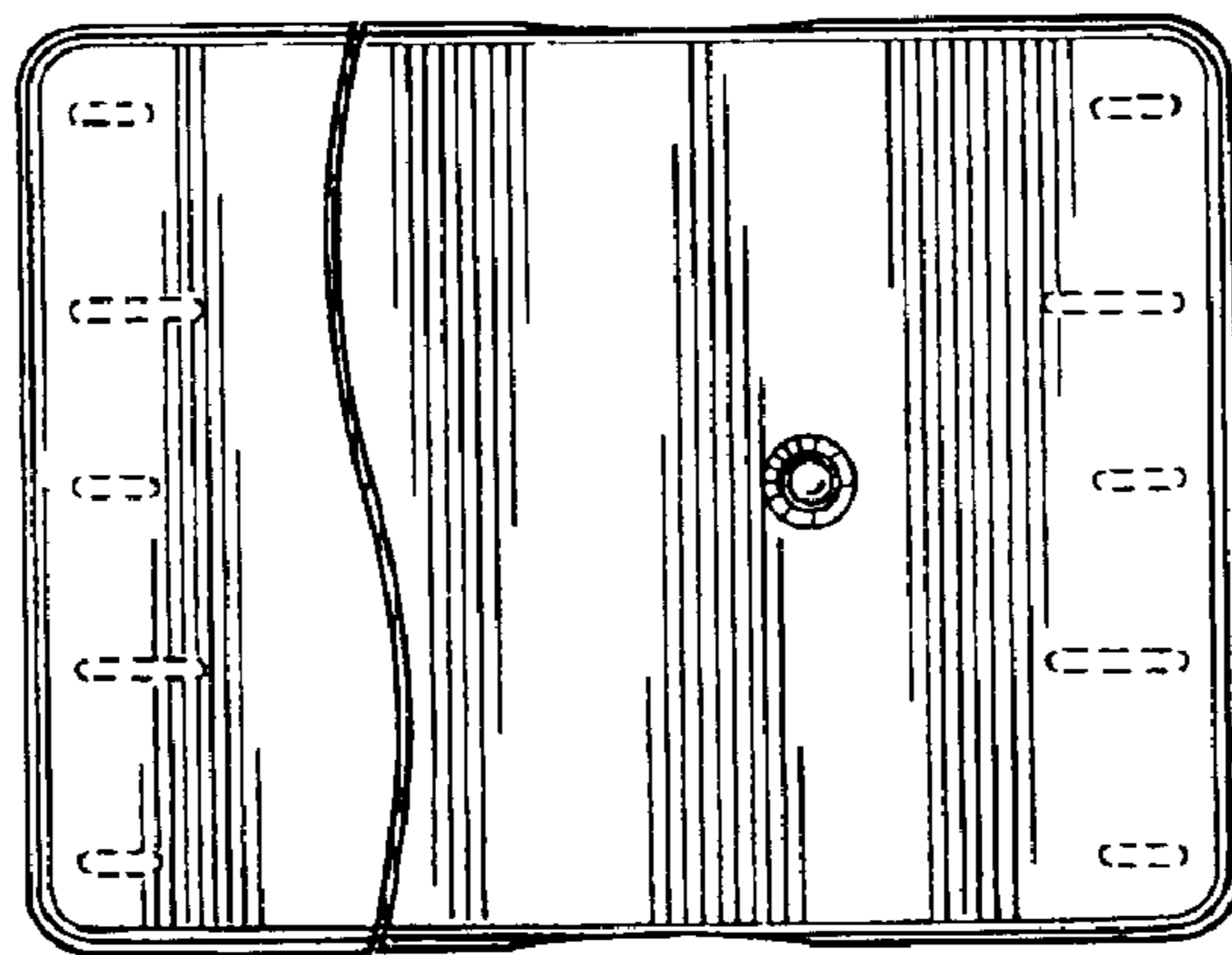
## U.S. PATENT DOCUMENTS

2001/0053630	A1	12/2001	Shi et al.	2003/0211784	A1	11/2003	Wu et al.
2002/0025697	A1	2/2002	Suto	2003/0223286	A1	12/2003	Lee
2002/0076962	A1	6/2002	Williams	2004/0212966	A1	10/2004	Fisher et al.
2002/0106933	A1	8/2002	Lee	2005/0018447	A1	1/2005	Ma et al.
2003/0043111	A1	3/2003	Huang	2005/0070138	A1	3/2005	Chiou et al.
2003/0124909	A1	7/2003	Zhu et al.	2005/0079738	A1	4/2005	Ahn

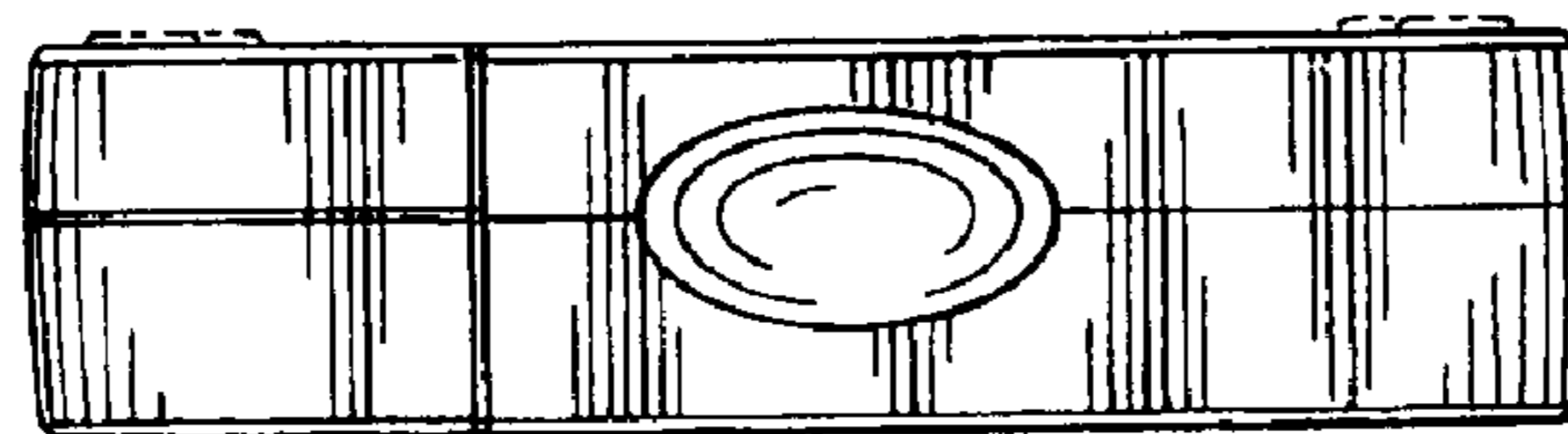
\* cited by examiner



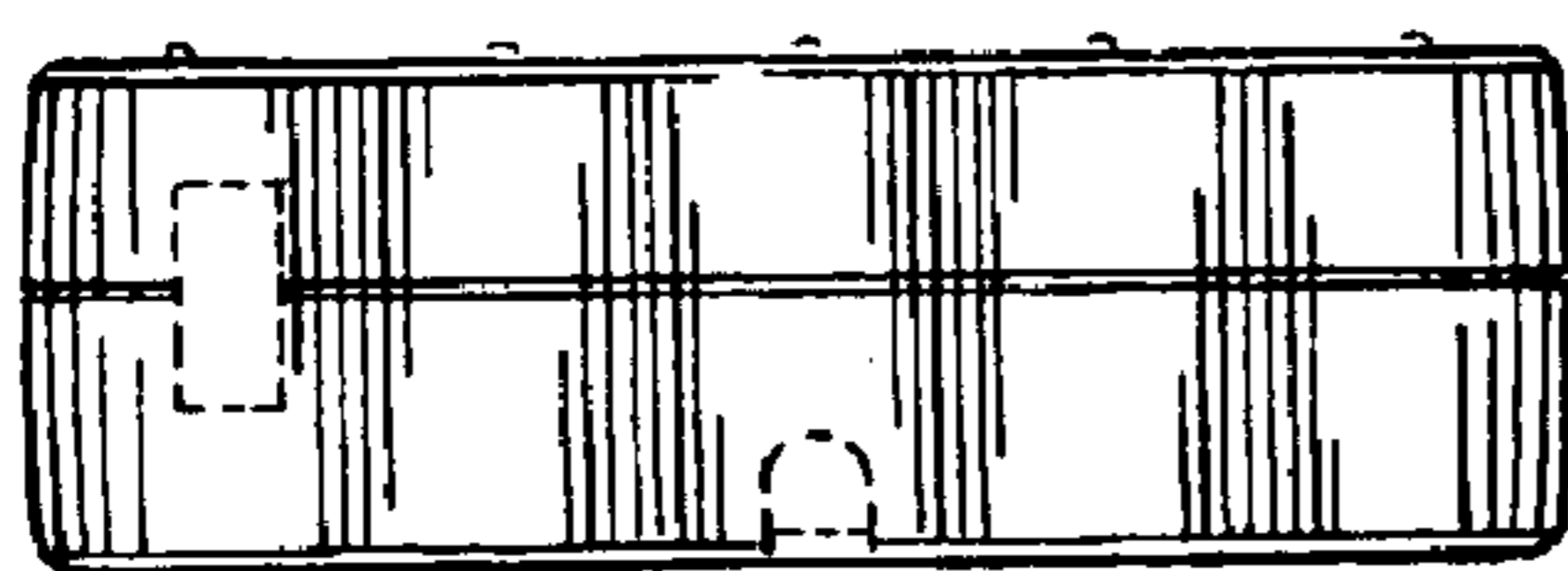
*Fig. 1*



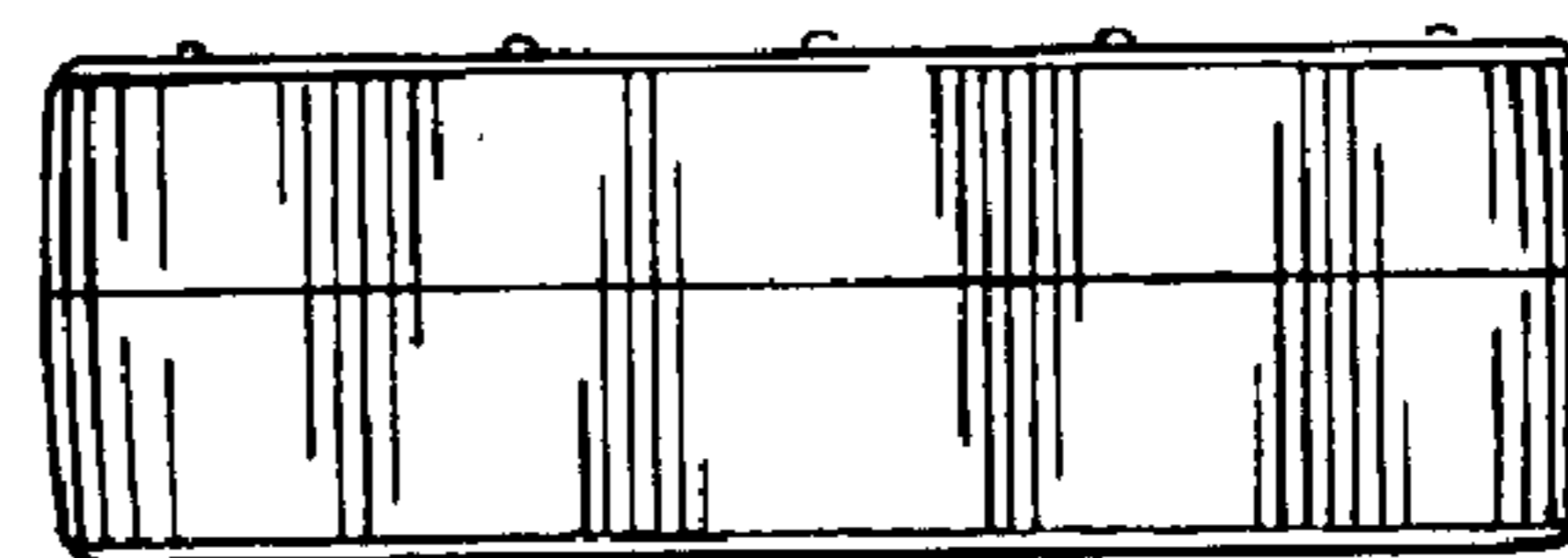
*Fig. 2*



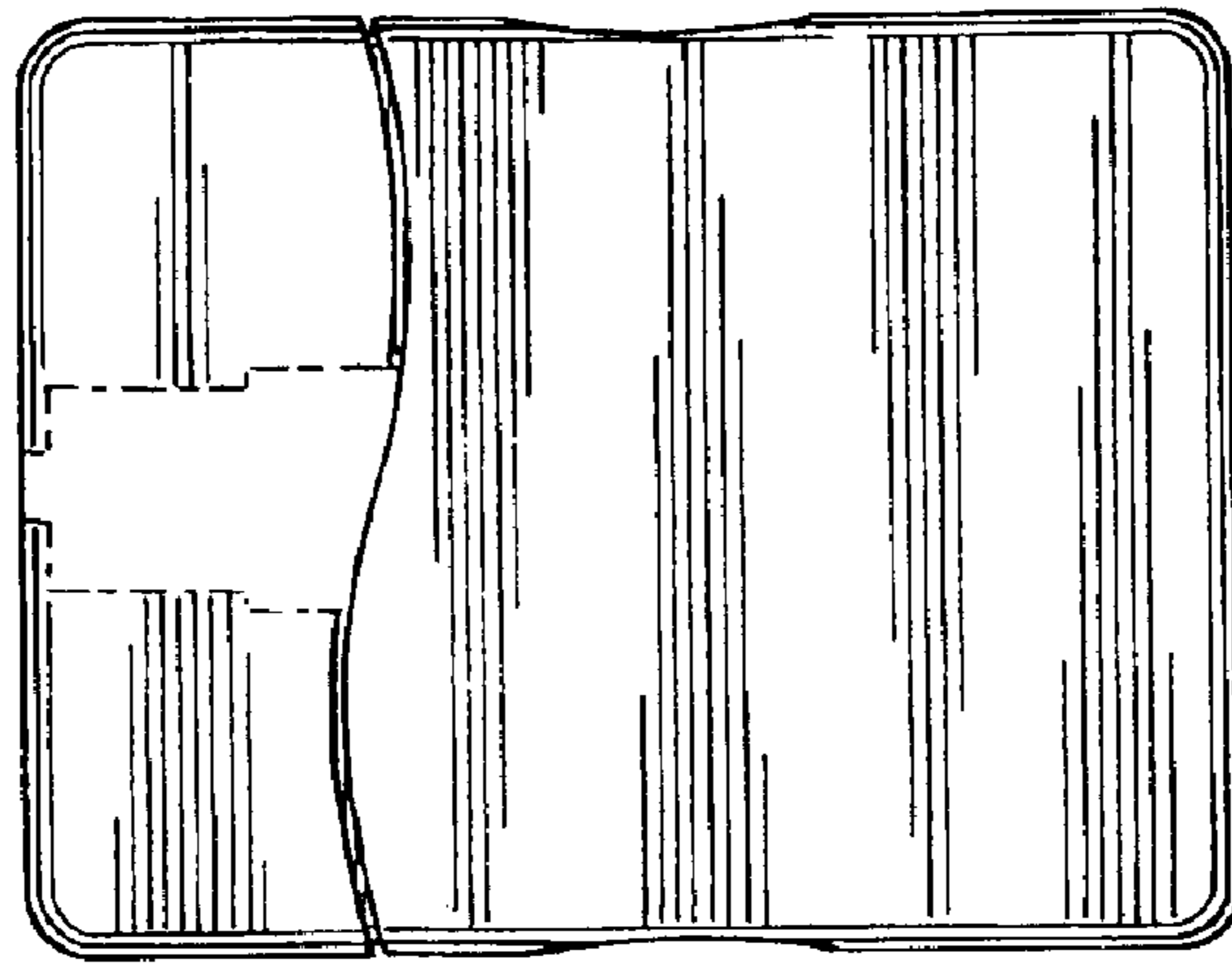
*Fig. 3*



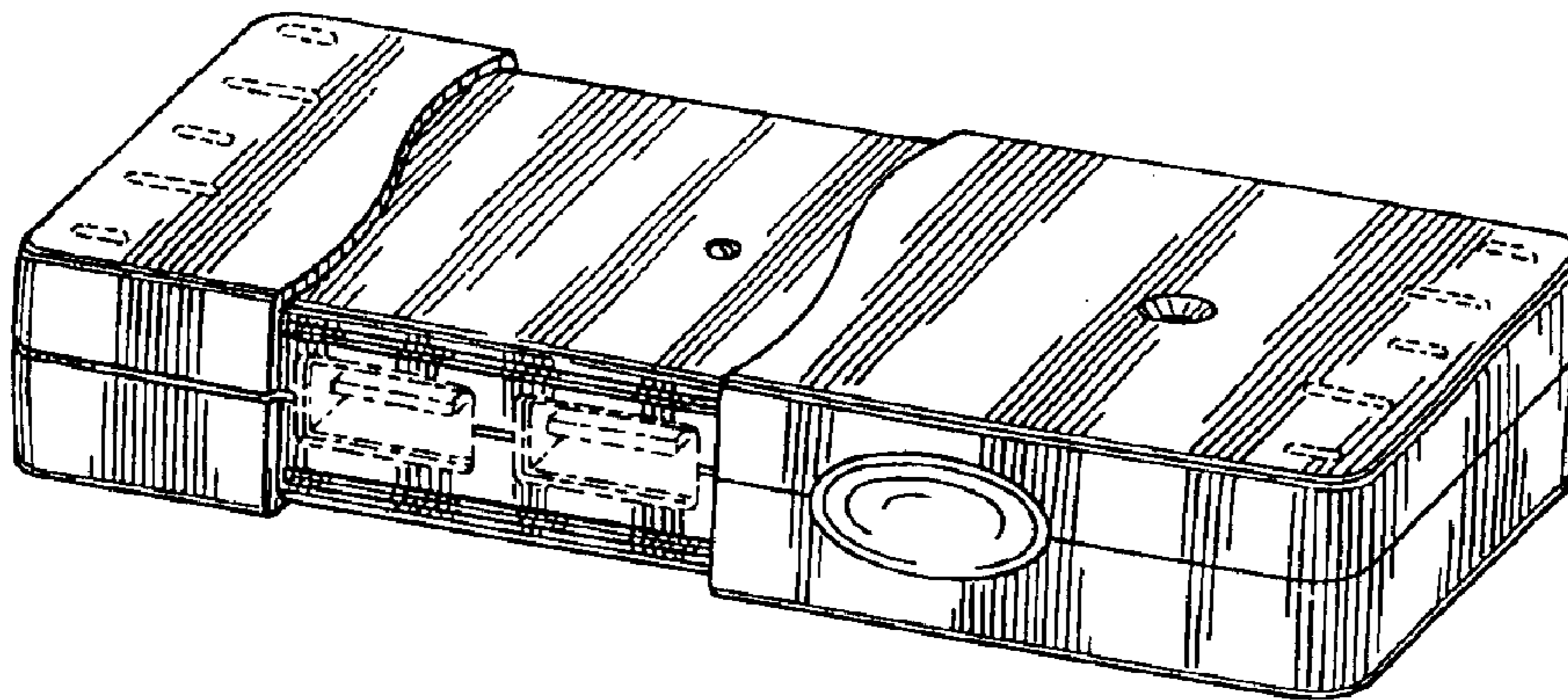
*Fig. 4*



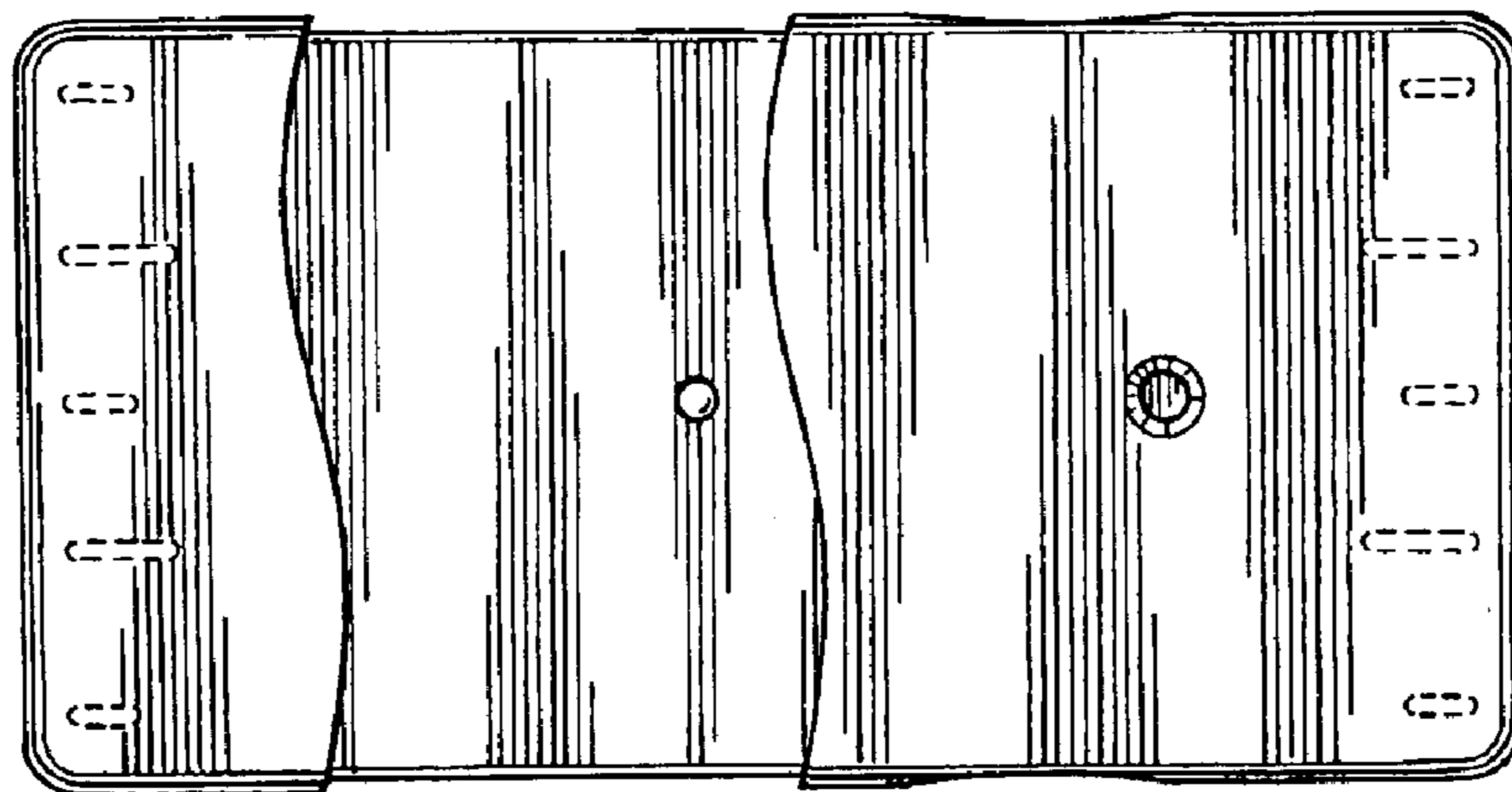
*Fig. 5*



*Fig. 6*

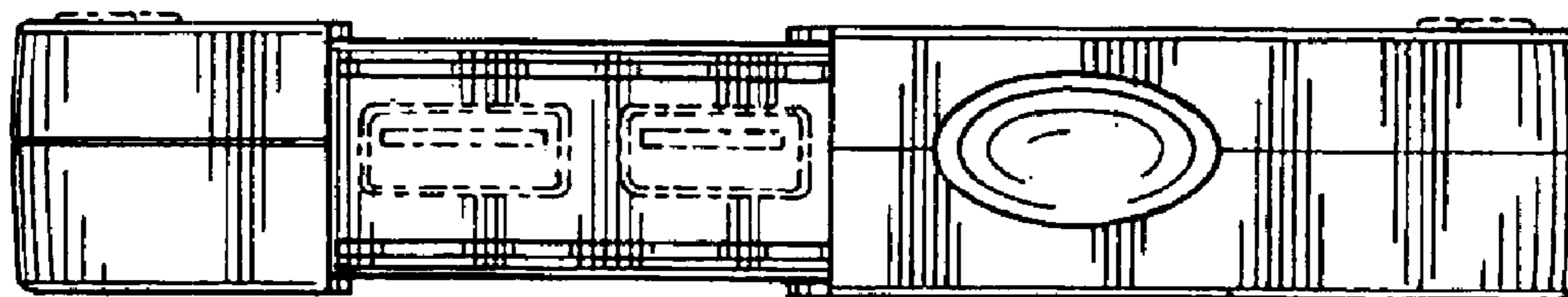


*Fig. 7*

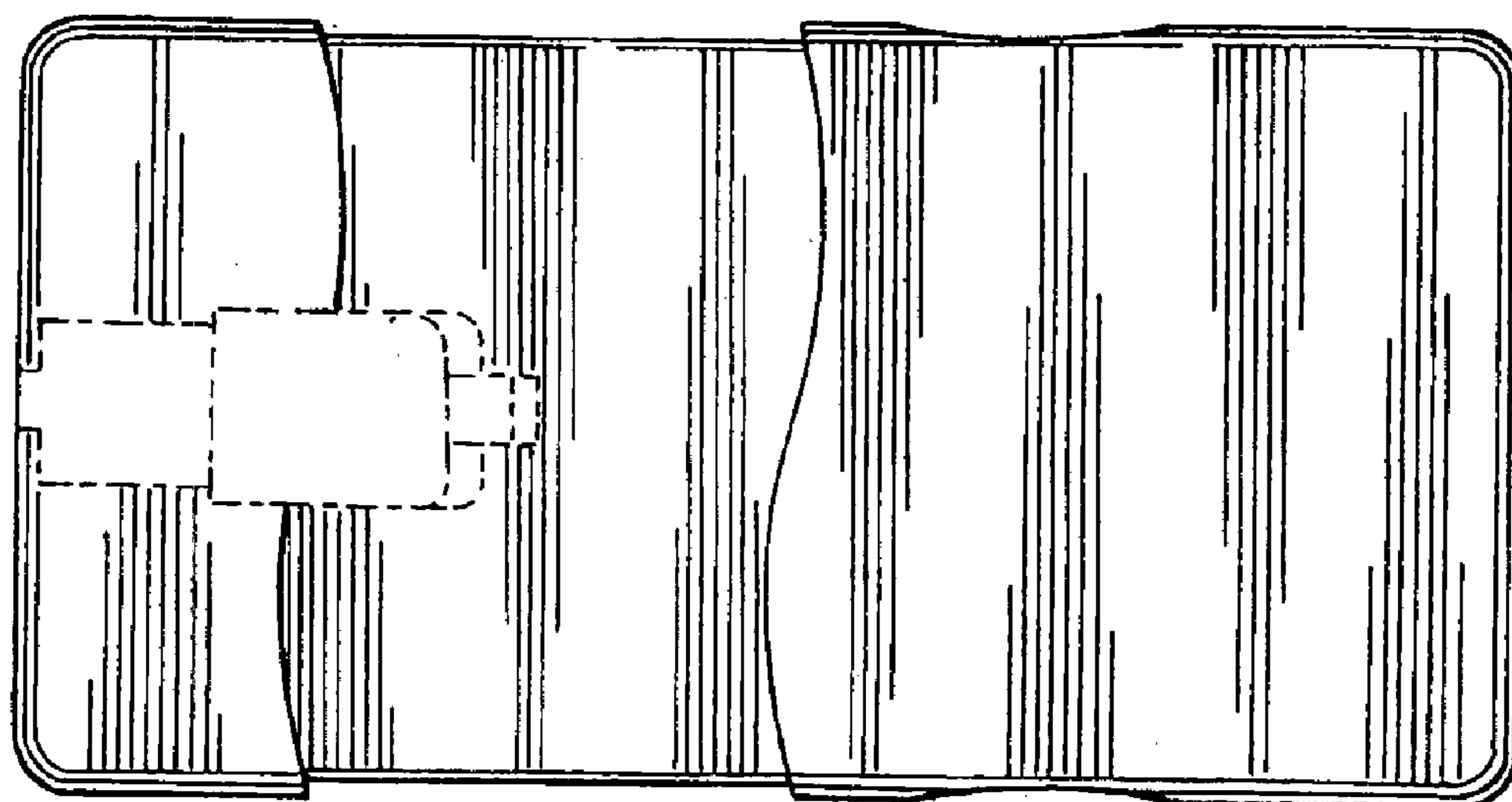


*Fig. 8*





*Fig. 9*



*Fig. 10*