



US00D529488S

(12) **United States Design Patent** (10) **Patent No.:** **US D529,488 S**  
**Uchida** (45) **Date of Patent:** **\*\* Oct. 3, 2006**

(54) **PORTION OF A PORTABLE PHONE**

(75) Inventor: **Satoshi Uchida**, Shibuya-ku (JP)

(73) Assignee: **Kabushiki Kaisha Toshiba** (JP)

(\*\*) Term: **14 Years**

(21) Appl. No.: **29/193,626**

(22) Filed: **Nov. 13, 2003**

(30) **Foreign Application Priority Data**

Jul. 31, 2003 (JP) ..... 2003-022302

(51) **LOC (8) Cl.** ..... **14-03**

(52) **U.S. Cl.** ..... **D14/248**; D14/247; D14/456;  
D14/491

(58) **Field of Classification Search** ..... D14/137,  
D14/138, 147-148, 247-248, 144, 341-347;  
379/433.01-433.13, 434; D21/517; 455/575.3,  
455/566, 575.1; 345/169  
See application file for complete search history.

(56) **References Cited**

**U.S. PATENT DOCUMENTS**

- D388,779 S 1/1998 Polson et al.
- D393,845 S \* 4/1998 Wanishi et al. .... D14/491
- D404,727 S \* 1/1999 Hodges Wilsher et al. D14/491
- D407,701 S \* 4/1999 Chintala et al. .... D14/138
- D408,389 S \* 4/1999 Newton et al. .... D14/488
- D408,398 S \* 4/1999 Arnold ..... D14/138
- D412,323 S \* 7/1999 Kahn et al. .... D14/488
- D415,134 S \* 10/1999 Culp et al. .... D14/488
- D418,497 S 1/2000 Howard, III et al.
- D423,591 S \* 4/2000 Conley et al. .... D20/22
- D429,283 S \* 8/2000 Conley et al. .... D20/22
- D429,284 S \* 8/2000 Conley et al. .... D20/22
- D434,425 S \* 11/2000 Rossow et al. .... D15/28
- D437,342 S \* 2/2001 Kramer et al. .... D18/27
- D450,673 S \* 11/2001 Obradovich et al. .... D14/138
- D451,536 S \* 12/2001 Cornille ..... D18/27
- D458,912 S \* 6/2002 DeLeon ..... D14/138
- 6,408,092 B1 \* 6/2002 Sites ..... 382/187

- D475,719 S \* 6/2003 Horie ..... D14/488
- D478,324 S \* 8/2003 O'Neil ..... D14/138
- 2003/0234768 A1 \* 12/2003 Rekimoto et al. .... 345/169

**FOREIGN PATENT DOCUMENTS**

- JP 1114751 7/2001
- WO 02/088920 \* 11/2002

**OTHER PUBLICATIONS**

- [http://en.wikipedia.org/wiki/Recycling\\_symbol](http://en.wikipedia.org/wiki/Recycling_symbol), recycling symbol, 2 pgs., site visited Nov. 11, 2005.\*
- [http://home.att.net/~DyerConsequences/recycling\\_symbol.html](http://home.att.net/~DyerConsequences/recycling_symbol.html), "Dyer Consequences" The history of the recycling symbol, 5 pgs. site visited Jun. 7, 2005.\*
- 1983 Letraset Product Update, p. 216.\*
- 1983 Formatt catalog, p. 82.\*
- Microsoft Word, © 1983-1999, variable, insertable, arrow shaped "autosshape".\*

\* cited by examiner

*Primary Examiner*—Jeffrey Asch

(57) **CLAIM**

The ornamental design for a portion of a portable phone, as shown and described.

**DESCRIPTION**

FIG. 1 is a top, front and right side perspective view of a portion of a portable phone showing my new design, FIG. 2 is a front elevational view thereof, FIG. 3 is a rear elevational view thereof, FIG. 4 is a left side elevational view thereof, FIG. 5 is a right side elevational view thereof, FIG. 6 is a top plan view thereof, FIG. 7 is a bottom plan view thereof; and, FIG. 8 is an enlarged partial top plan view showing the portion of my design.

The broken line showing of the remainder of the portable phone is for illustrative purposes only and forms no part of the claimed design.

**1 Claim, 5 Drawing Sheets**

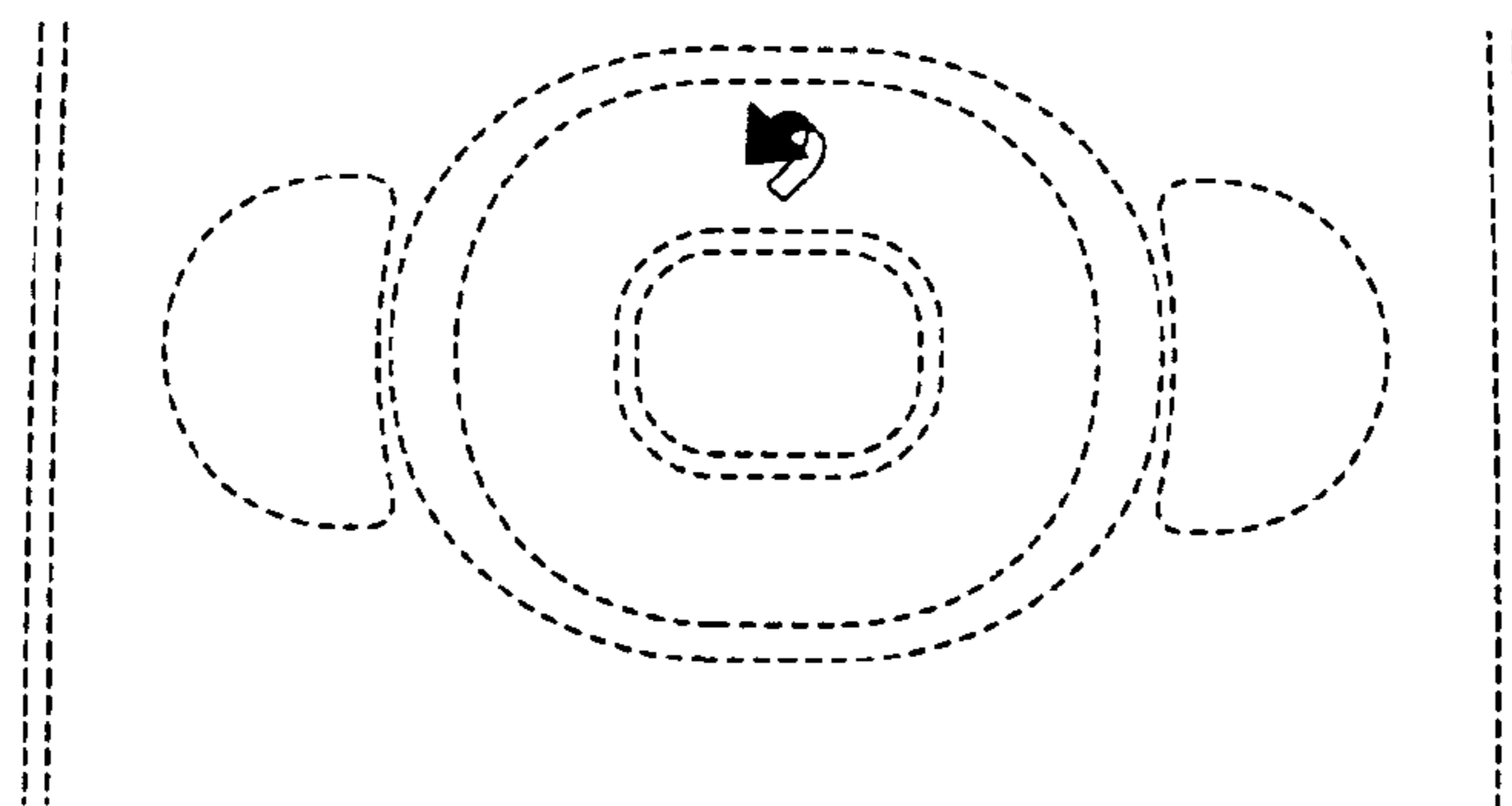


FIG. 1

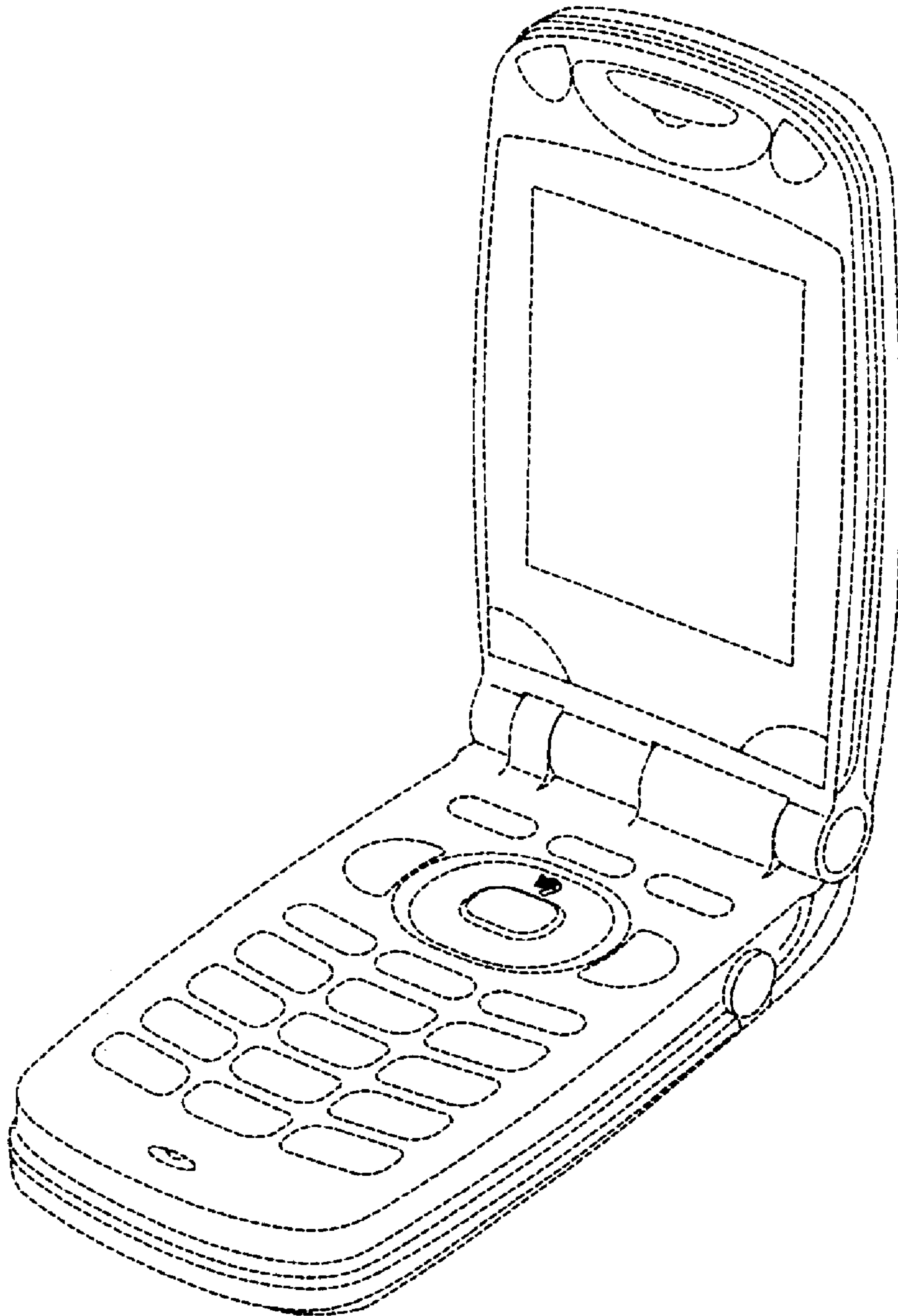


FIG. 2

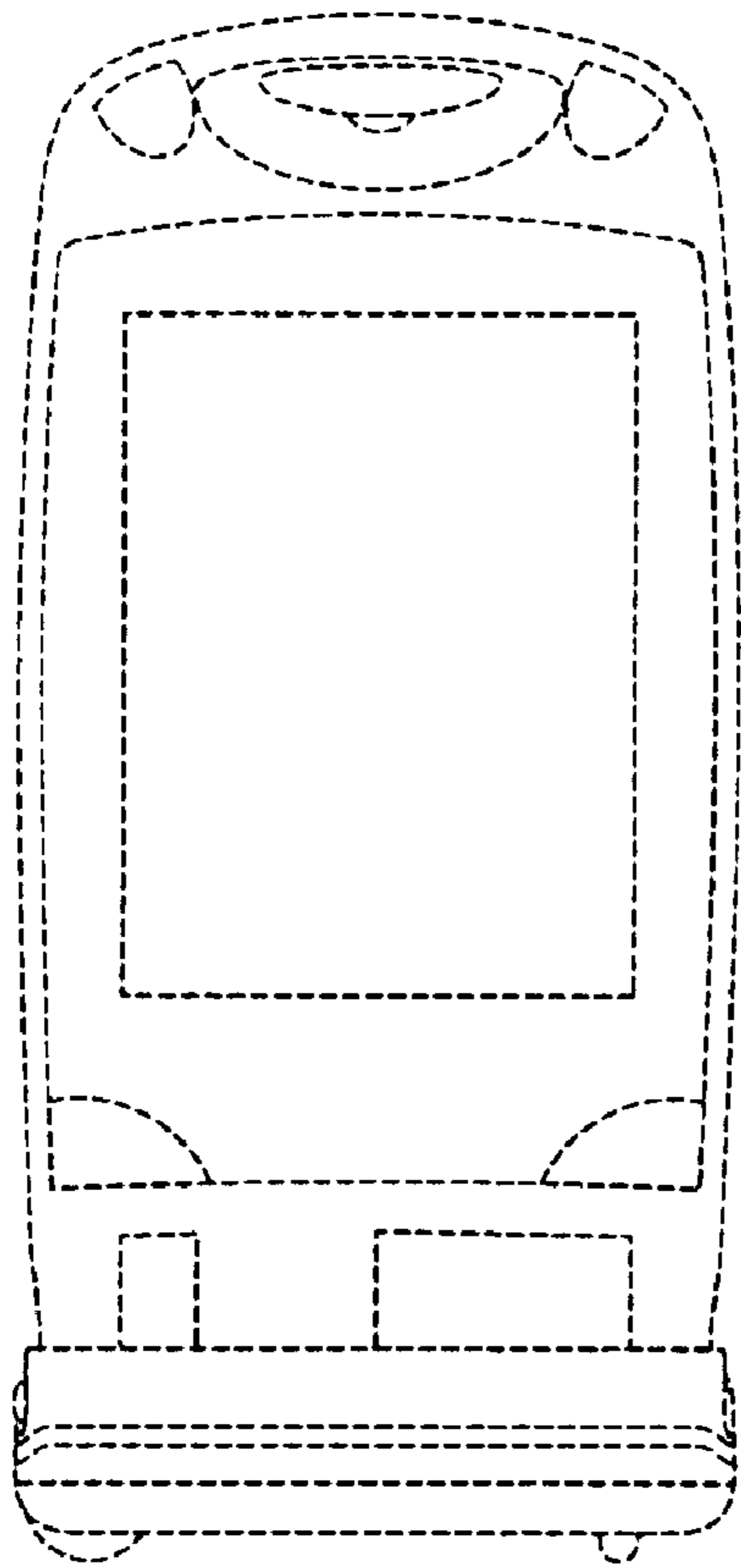


FIG. 3

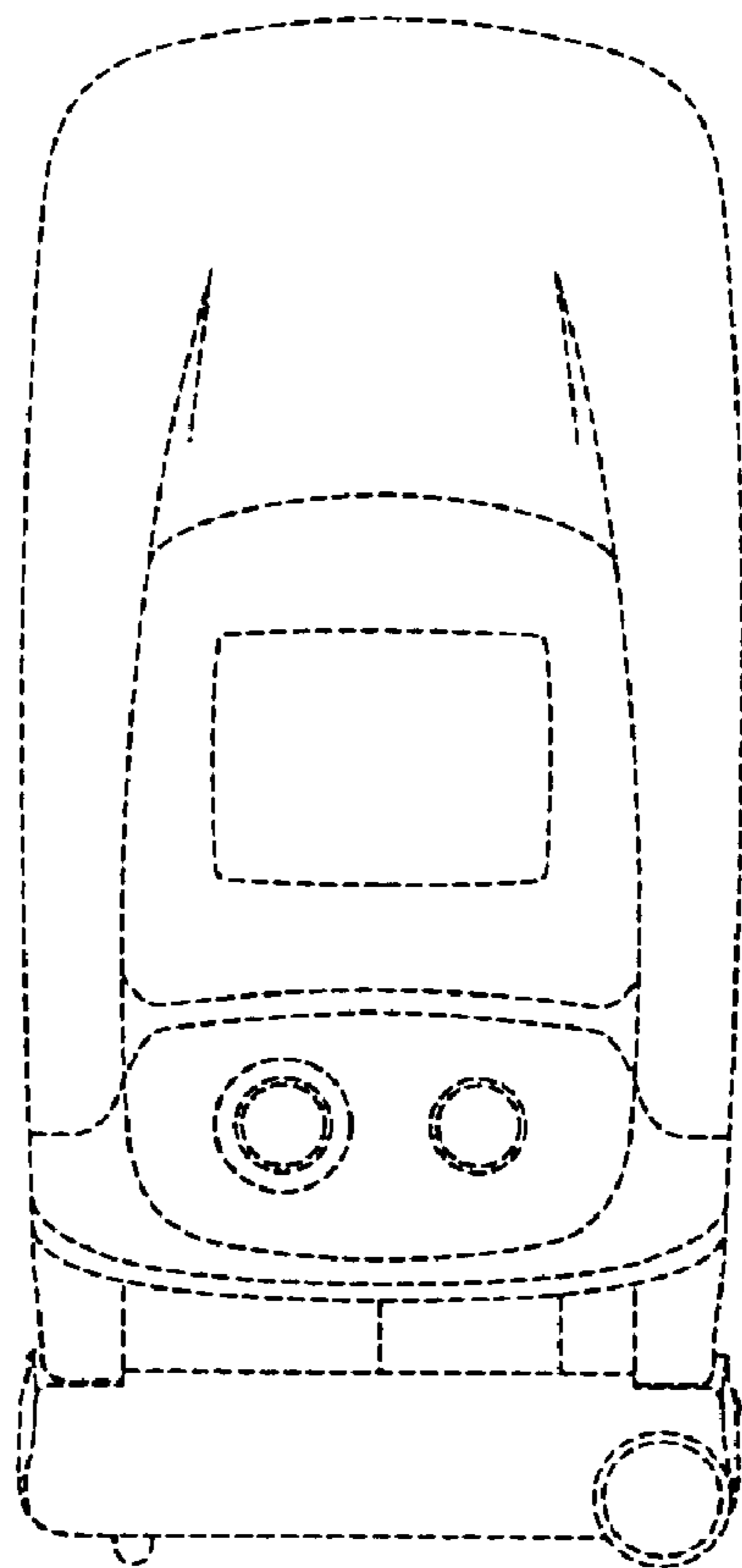


FIG. 4

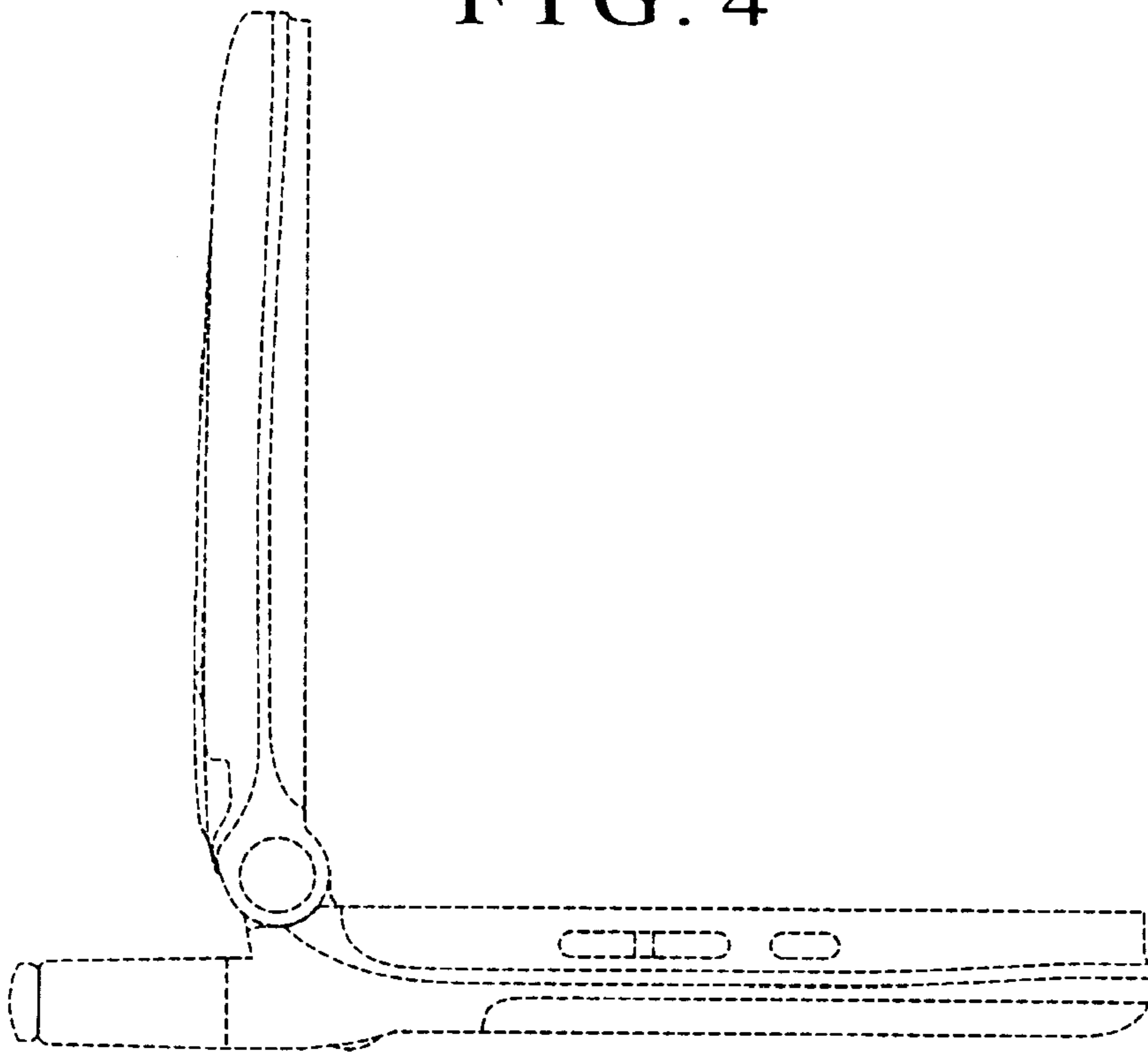


FIG. 5

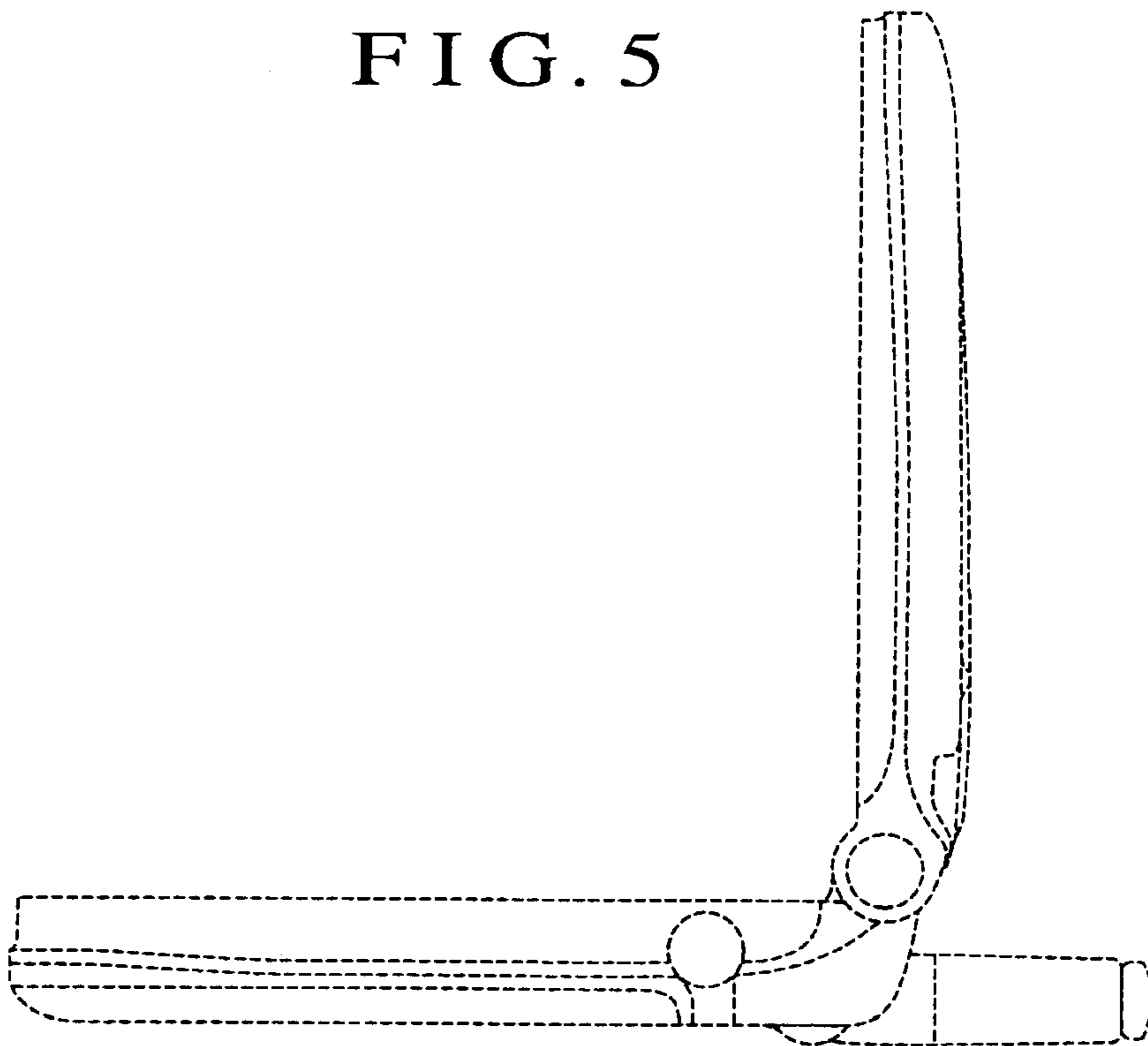


FIG. 6

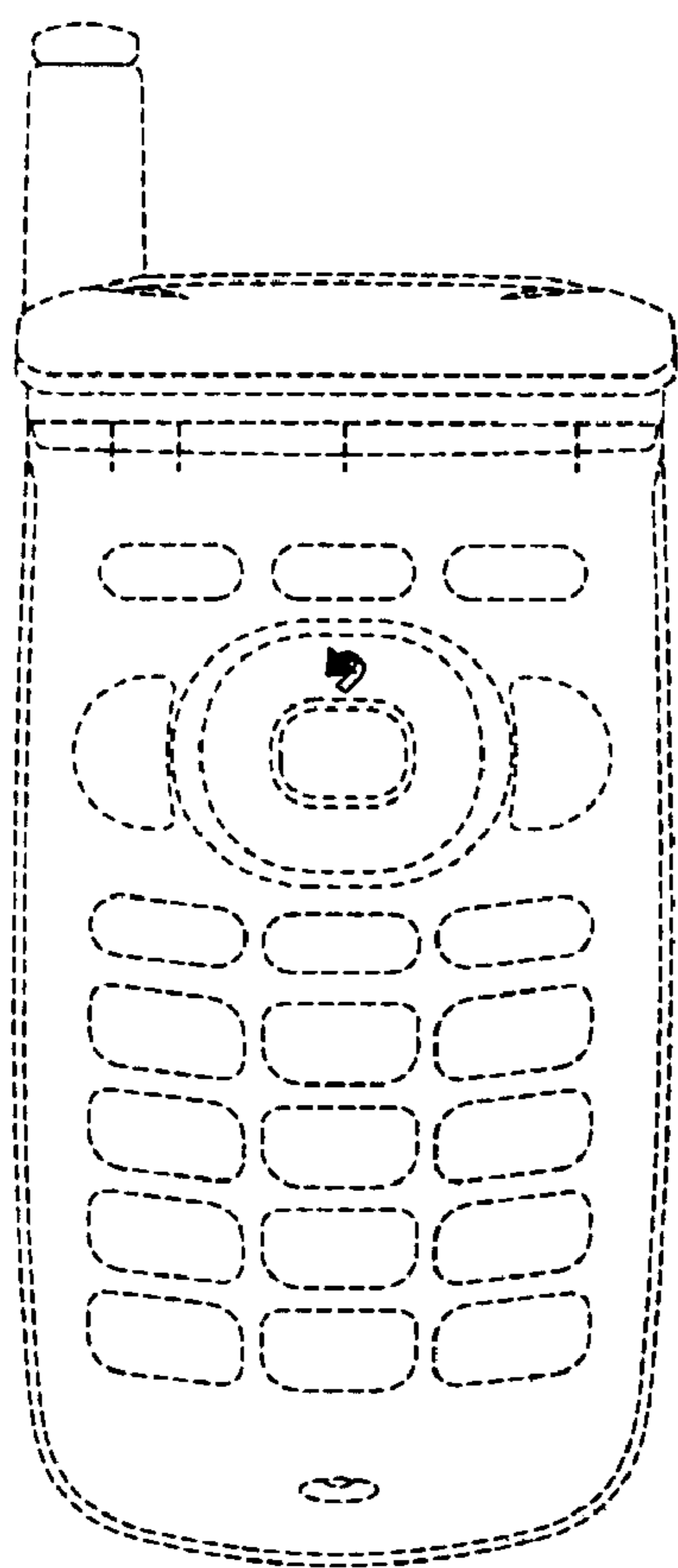


FIG. 7

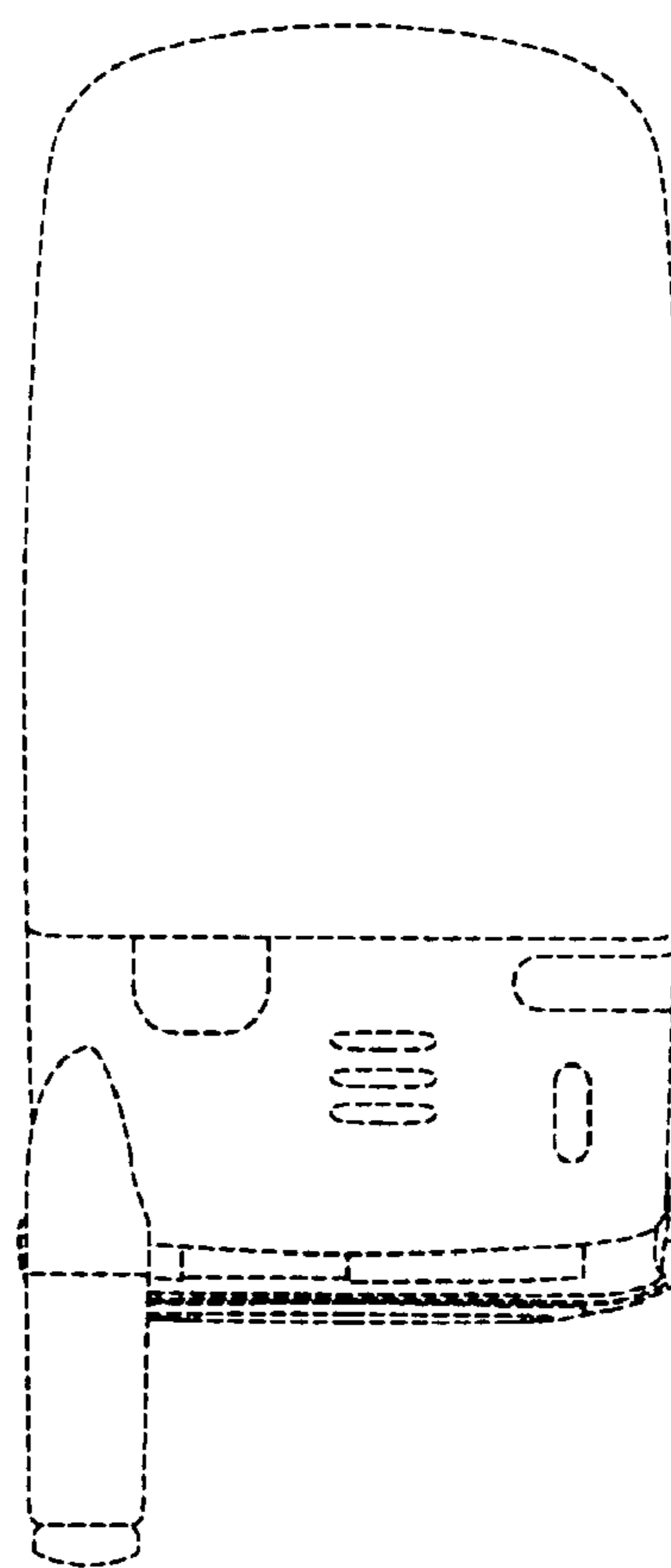


FIG. 8

