



US00D529484S

(12) **United States Design Patent**
Probst

(10) **Patent No.:** **US D529,484 S**

(45) **Date of Patent:** **** Oct. 3, 2006**

(54) **MICROPHONE**

(75) **Inventor:** **Eli Gregory Probst**, Westlake Village,
CA (US)

(73) **Assignee:** **Telex Communications, Inc.**,
Burnsville, MN (US)

(**) **Term:** **14 Years**

(21) **Appl. No.:** **29/237,109**

(22) **Filed:** **Aug. 25, 2005**

(51) **LOC (8) Cl.** **14-01**

(52) **U.S. Cl.** **D14/228**

(58) **Field of Classification Search** D14/225,
D14/226, 227, 228, 229; 181/158, 198, 242;
381/157, 158, 181, 355, 356, 357, 358, 359,
381/360, 361, 362, 363, 364, 365, 366; D21/513
See application file for complete search history.

(56) **References Cited**

U.S. PATENT DOCUMENTS

1,678,842	A	*	7/1928	Aiken	181/198
2,188,150	A	*	1/1940	Malat	248/346.03
2,263,668	A	*	11/1941	Woodworth	362/86
D183,114	S	*	7/1958	Burroughs	D14/228

D194,151	S	*	11/1962	Deschamps et al.	D14/228
D233,669	S	*	11/1974	Plice	D14/228
D302,158	S	*	7/1989	Kubota	D14/225
6,219,429	B1	*	4/2001	Chung	381/363
D448,364	S	*	9/2001	Chung	D14/228
D457,876	S	*	5/2002	Chung	D14/228
D475,038	S	*	5/2003	Jarodsky et al.	D14/228

* cited by examiner

Primary Examiner—Paula A. Greene

(74) *Attorney, Agent, or Firm*—Fredrickson & Byron, P.A.

(57) **CLAIM**

The ornamental design for a microphone, as shown and described.

DESCRIPTION

FIG. 1 is a perspective front view of a microphone showing my new design;

FIG. 2 is a left side view thereof;

FIG. 3 is a right side view thereof;

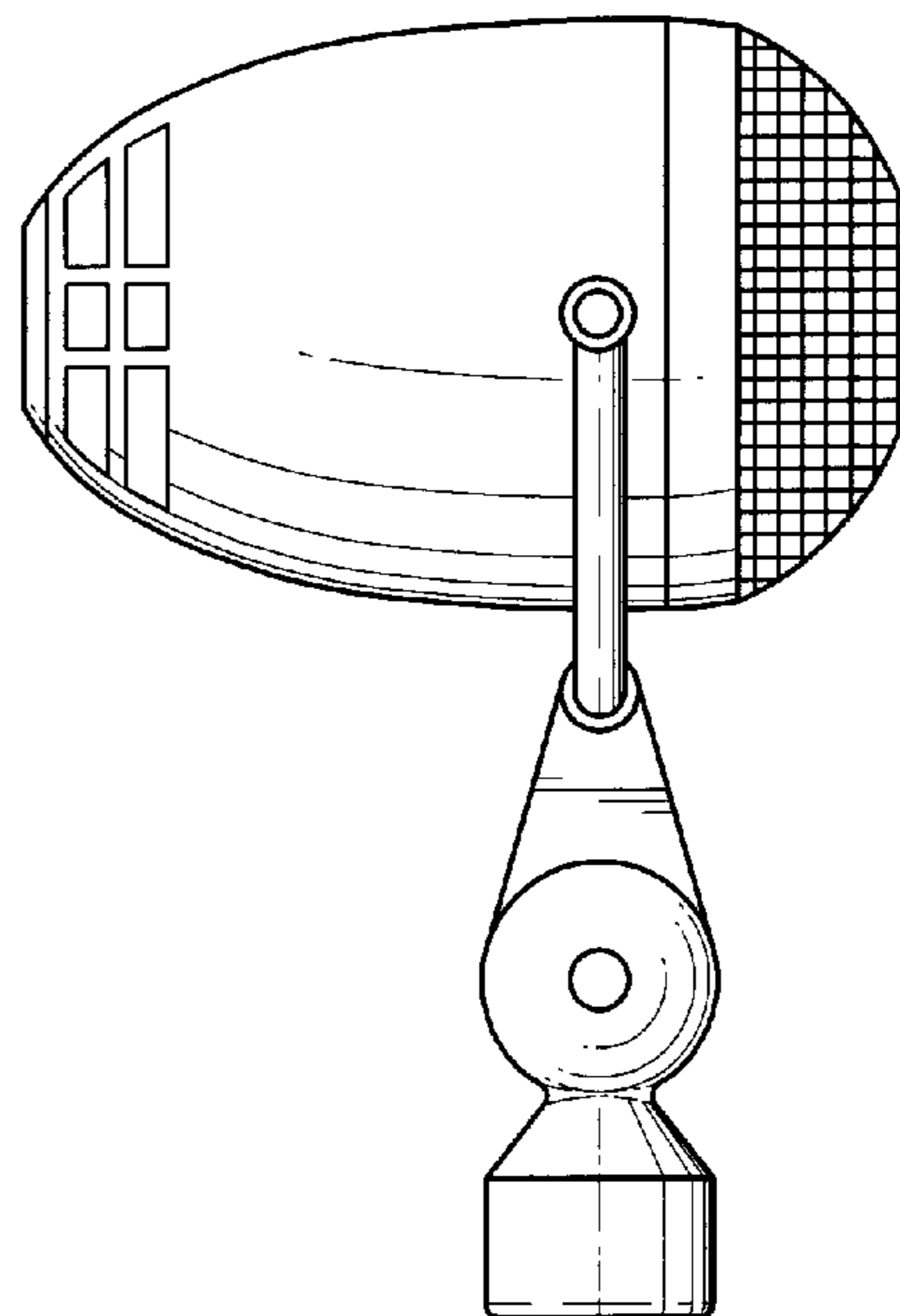
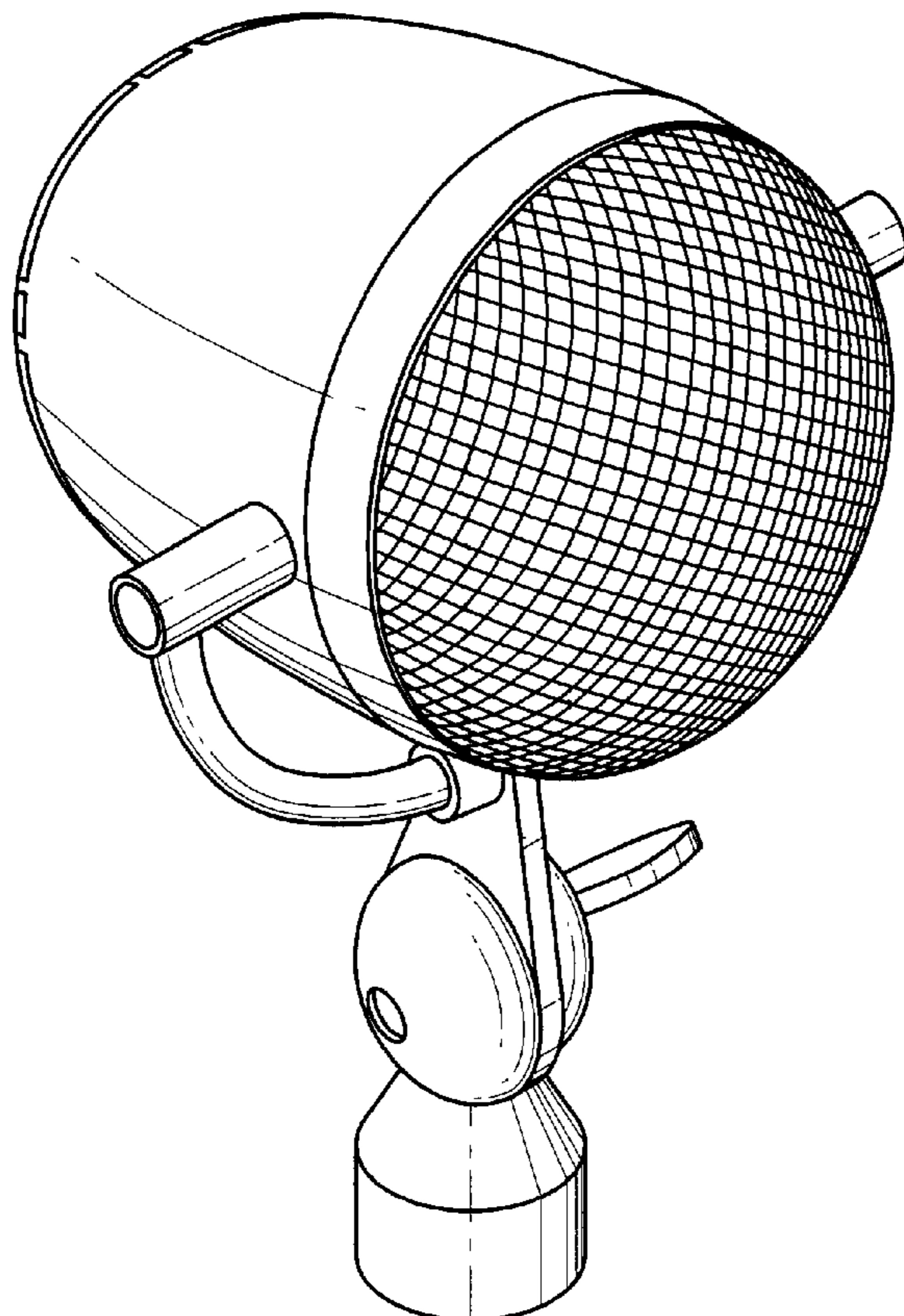
FIG. 4 is a front view thereof;

FIG. 5 is a back view thereof;

FIG. 6 is a top view thereof; and,

FIG. 7 is a bottom view thereof.

1 Claim, 4 Drawing Sheets



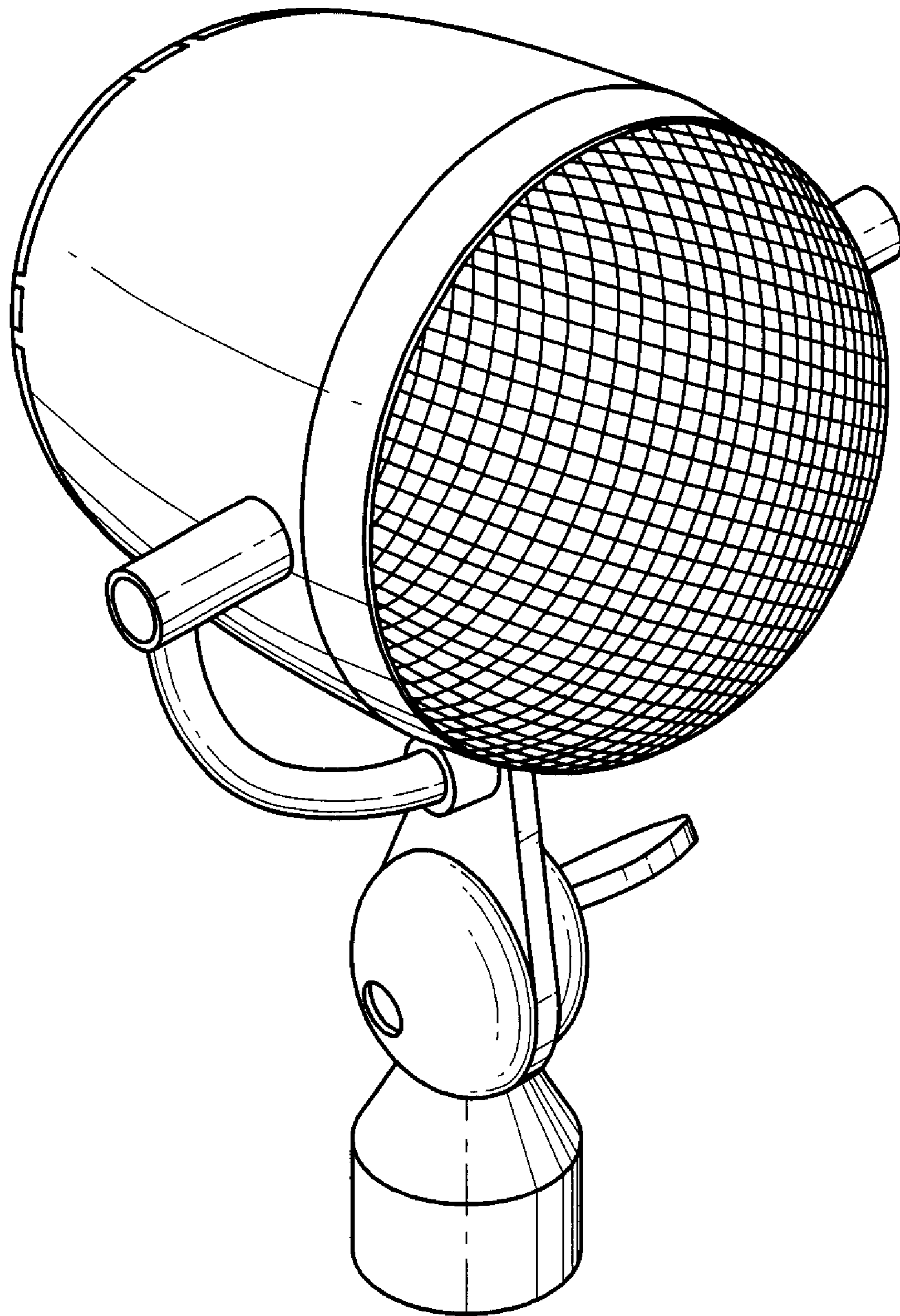


FIG. 1

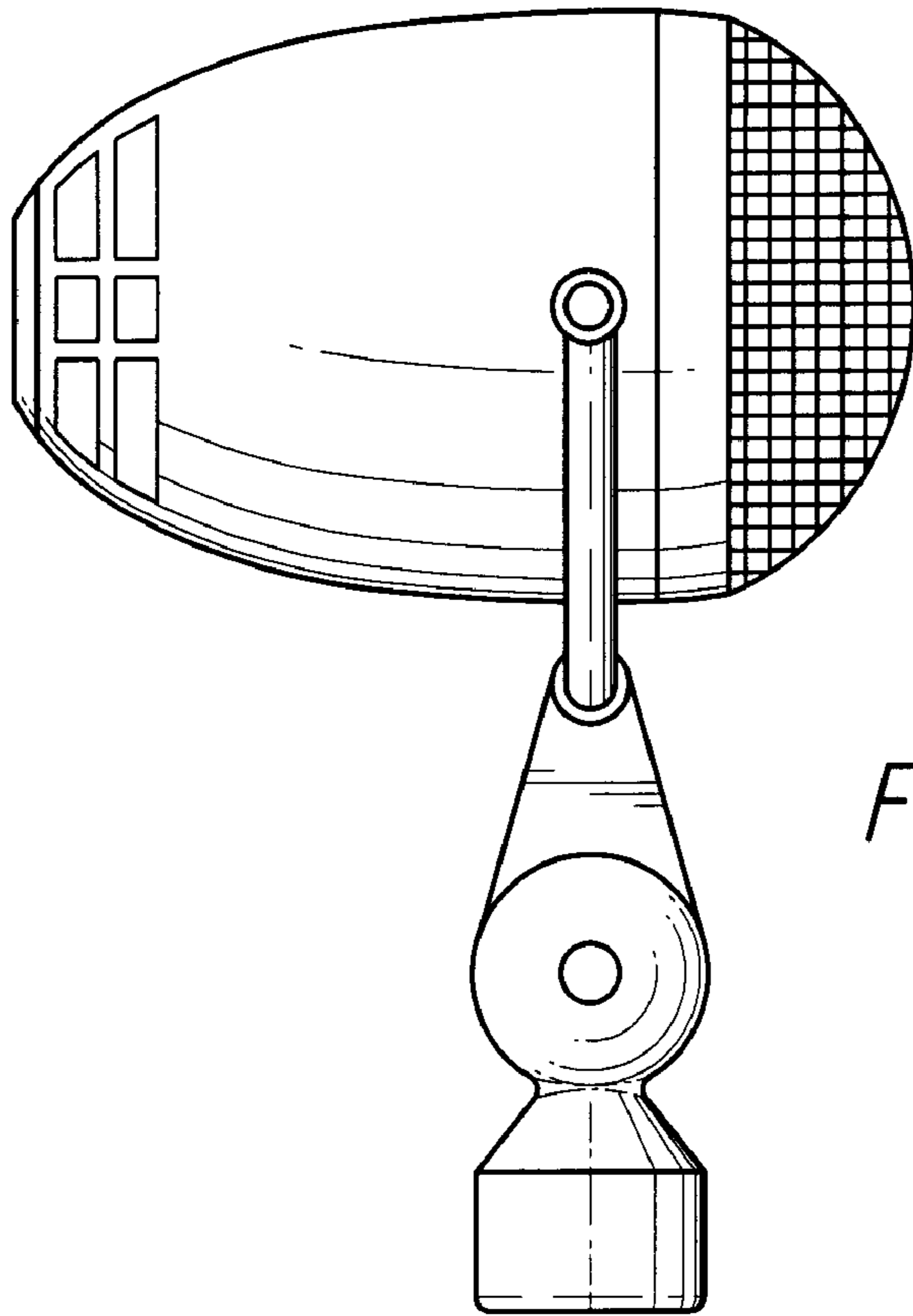


FIG. 2

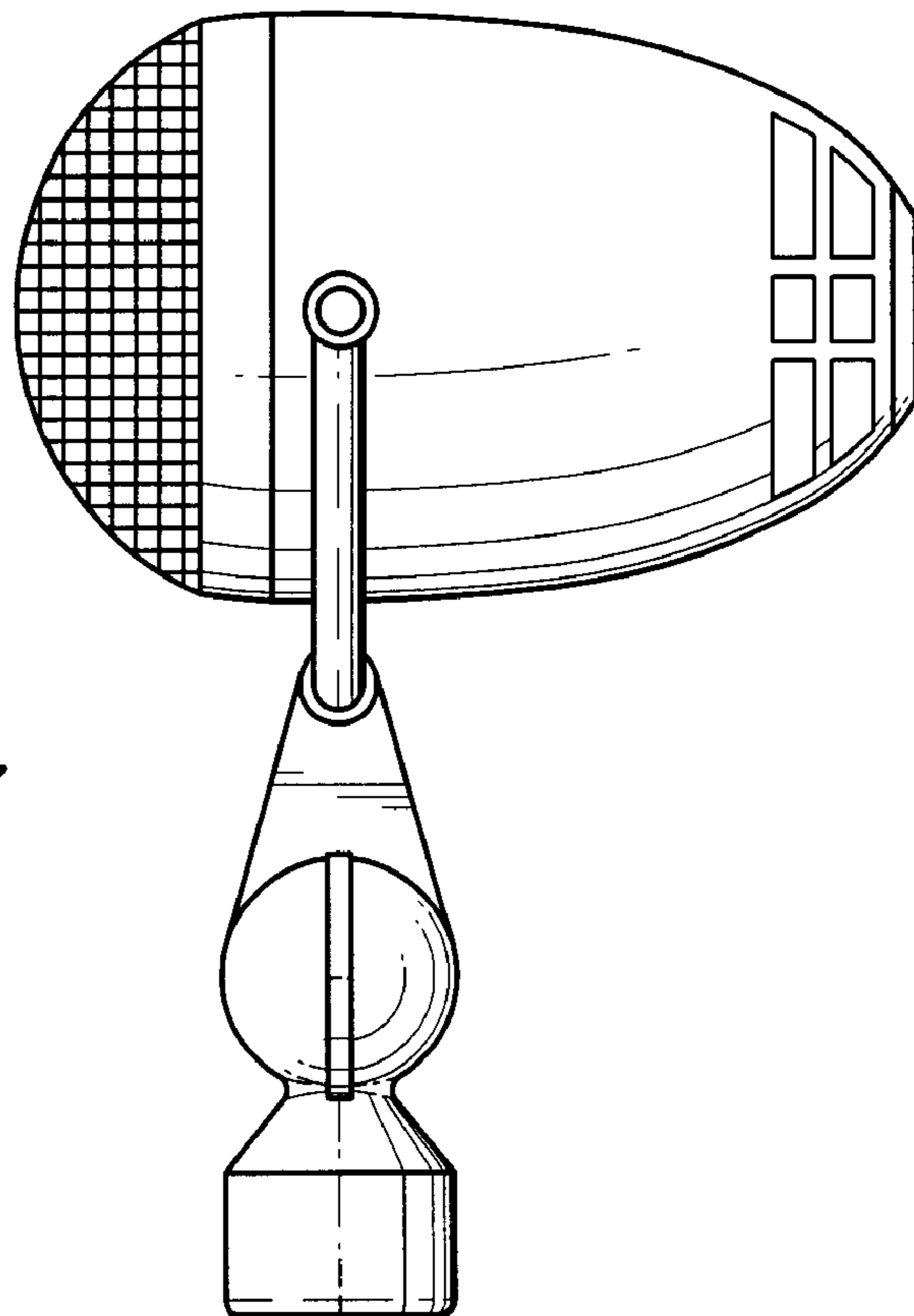


FIG. 3

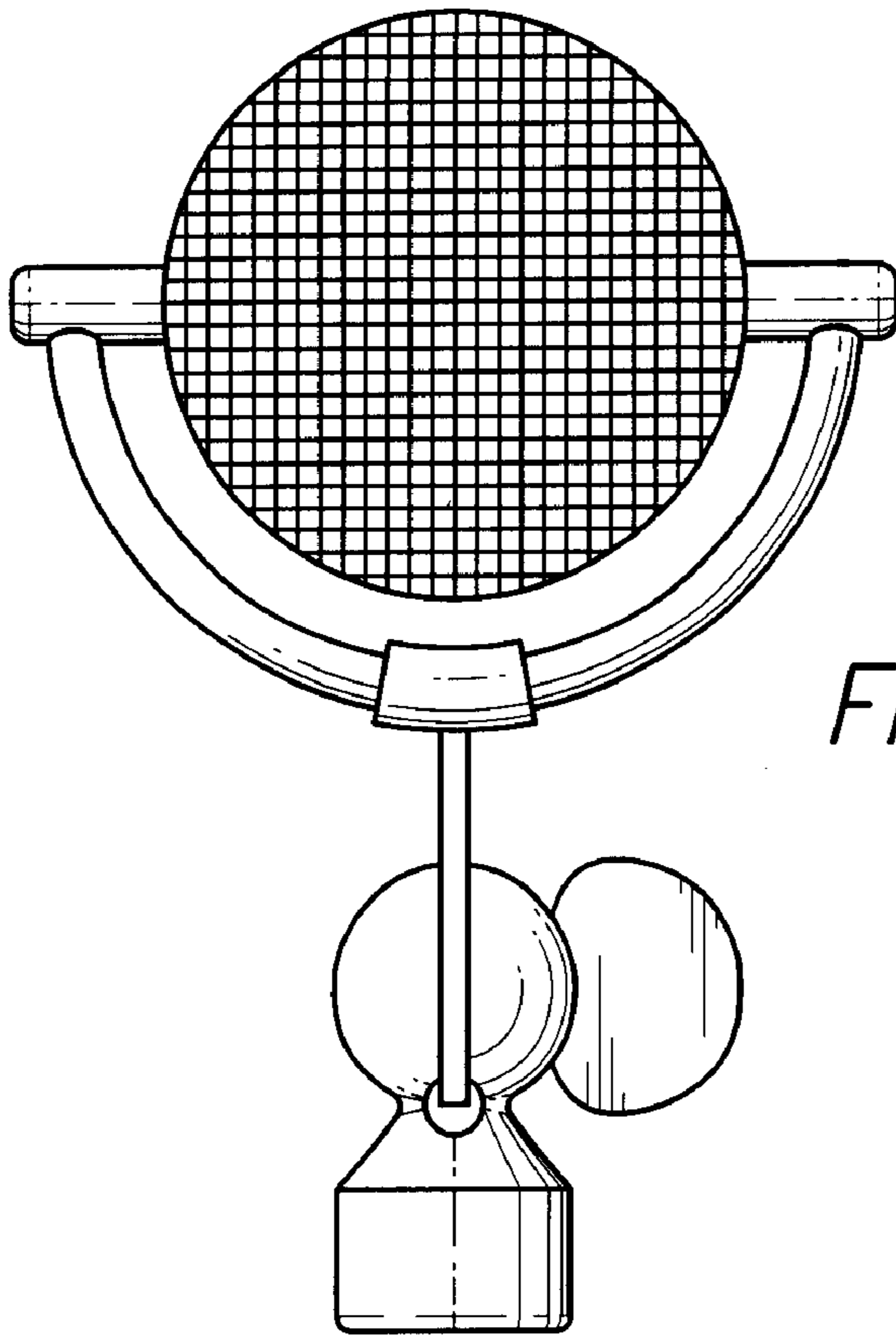


FIG. 4

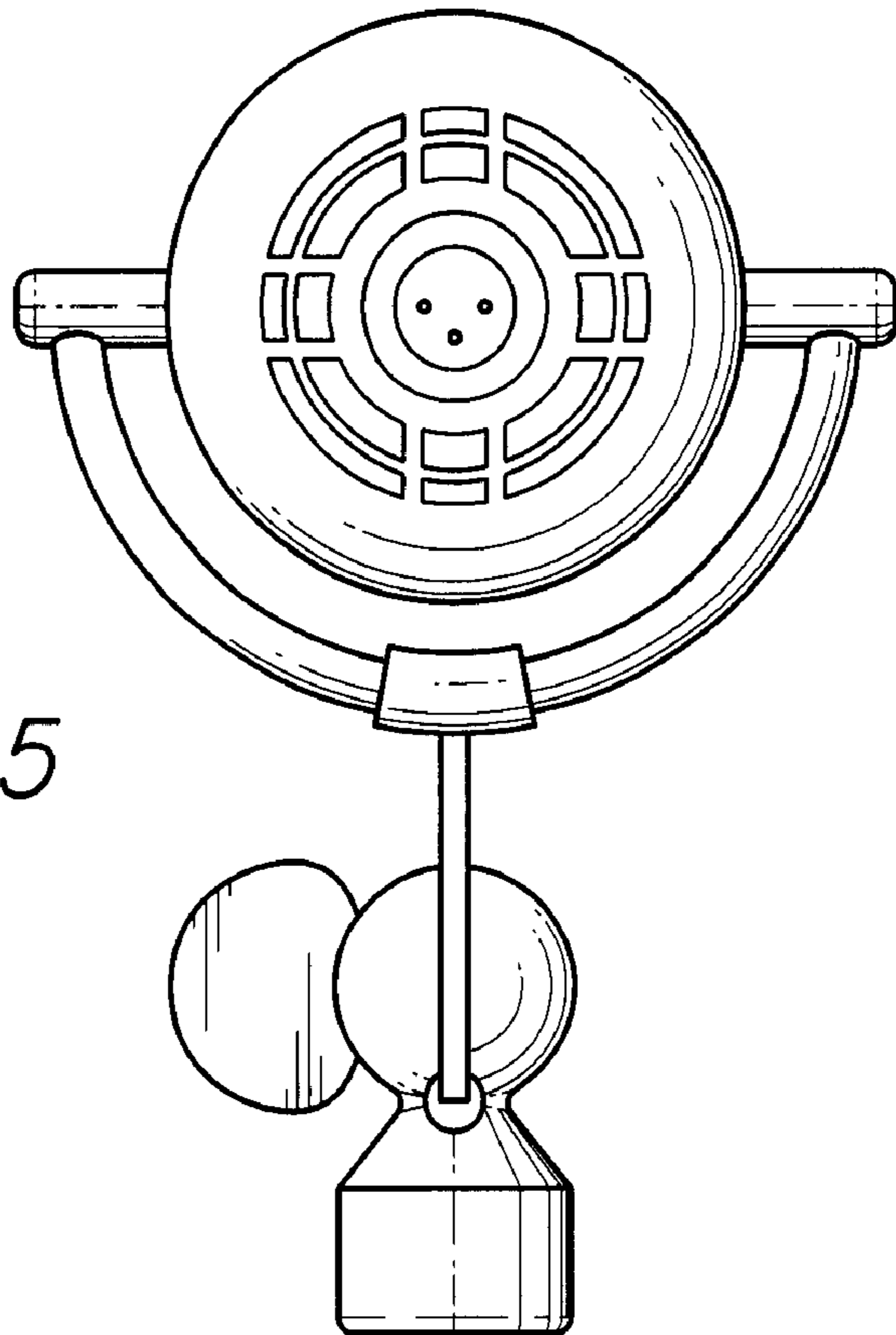


FIG. 5

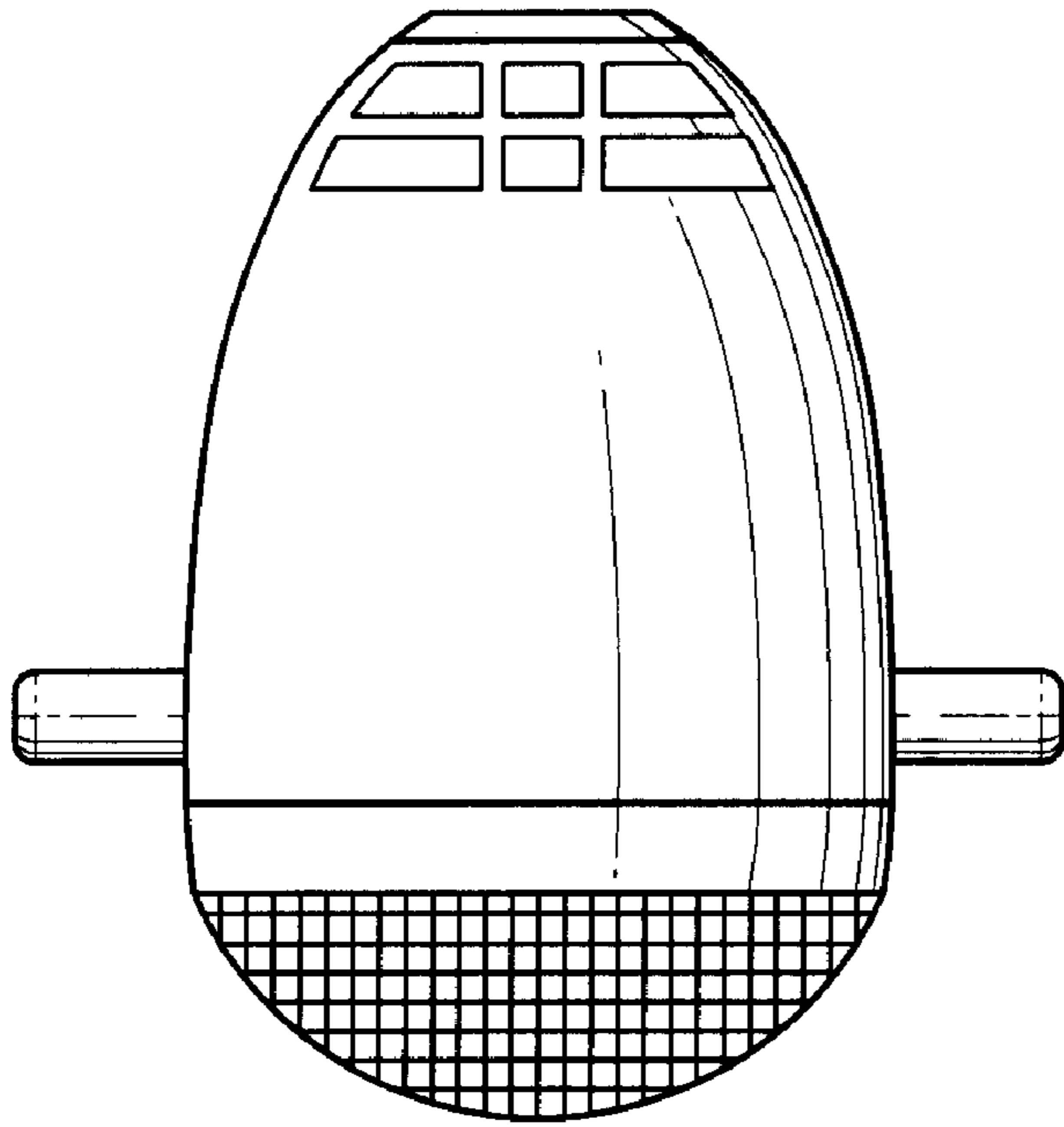


FIG. 6

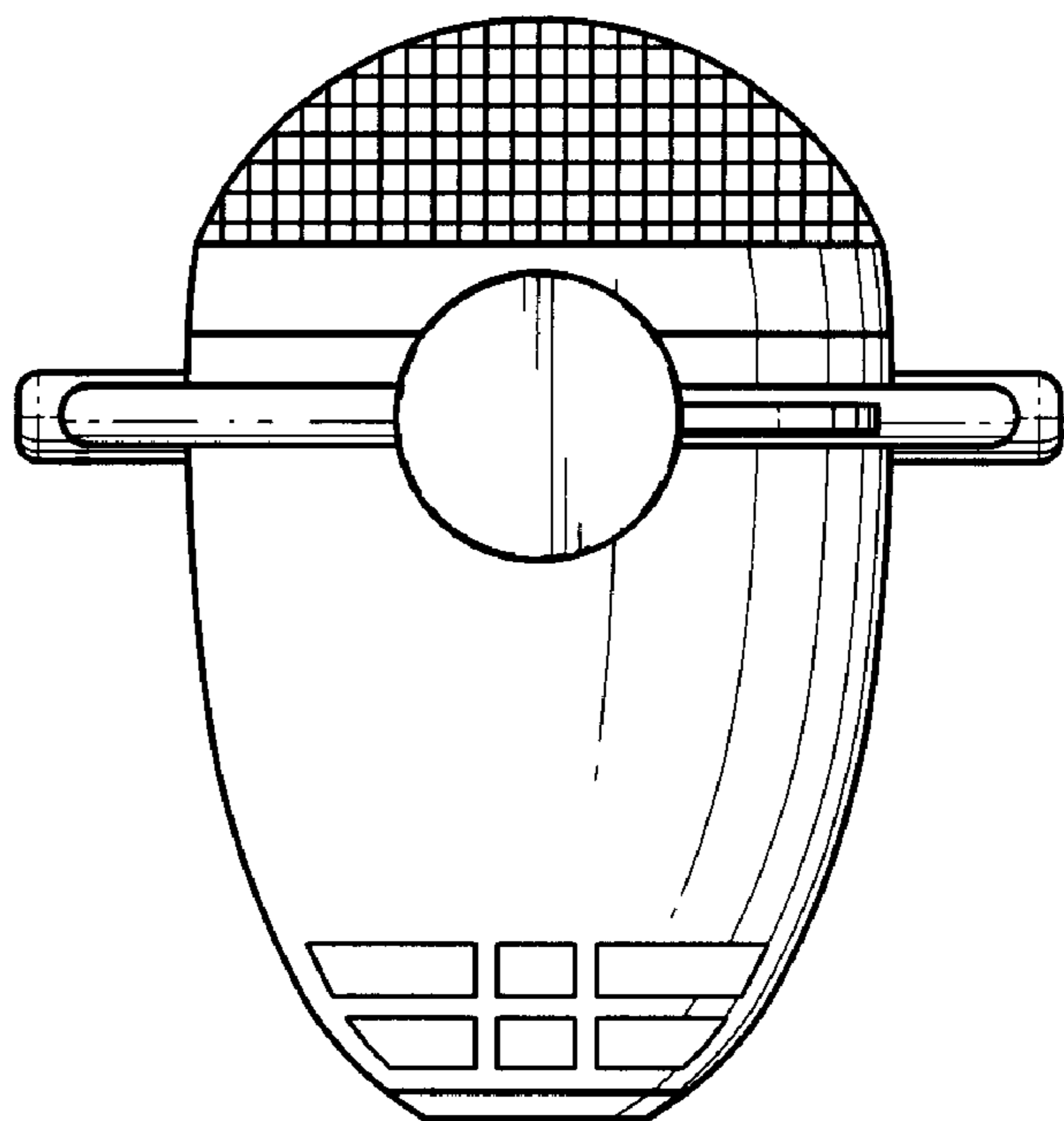


FIG. 7