



US00D529482S

(12) **United States Design Patent**
Kamimura et al.

(10) **Patent No.:** **US D529,482 S**

(45) **Date of Patent:** **** Oct. 3, 2006**

(54) **SPEAKER**

(75) Inventors: **Tomohiko Kamimura**, Habikino (JP);
Satoru Fujiwara, Izumi (JP);
Tomohiro Oda, Higashiosaka (JP)

(73) Assignee: **Hosiden Corporation**, Osaka (JP)

(**) Term: **14 Years**

(21) Appl. No.: **29/242,289**

(22) Filed: **Nov. 8, 2005**

Related U.S. Application Data

(62) Division of application No. 29/219,067, filed on Dec. 10, 2004.

(30) **Foreign Application Priority Data**

Jun. 11, 2004 (JP) 2004-17467
Jun. 11, 2004 (JP) 2004-17468

(51) **LOC (8) Cl.** **14-01**

(52) **U.S. Cl.** **D14/214**

(58) **Field of Classification Search** D14/204,
D14/207, 209–216, 356, 496; 181/143–144,
181/147–148, 150, 157, 198–199, 151, 153;
381/300–302, 306, 333, 345, 361–364, 386–388,
381/332, 336

See application file for complete search history.

(56) **References Cited**

U.S. PATENT DOCUMENTS

D314,546 S * 2/1991 Insaurrealde D14/210

D317,450 S 6/1991 Crawford et al.
D360,637 S 7/1995 Arie
D462,338 S * 9/2002 Wong D14/215
D466,105 S 11/2002 Bothe
D472,887 S * 4/2003 Right et al. D14/214

* cited by examiner

Primary Examiner—Nanda Bondade

(74) *Attorney, Agent, or Firm*—Akin Gump Strauss Hauer & Feld, LLP

(57) **CLAIM**

The ornamental design for a speaker, as shown and described.

DESCRIPTION

FIG. 1 is a front perspective view of a speaker in accordance with our new design;

FIG. 2 is rear perspective view thereof;

FIG. 3 is a front view thereof;

FIG. 4 is a rear view thereof;

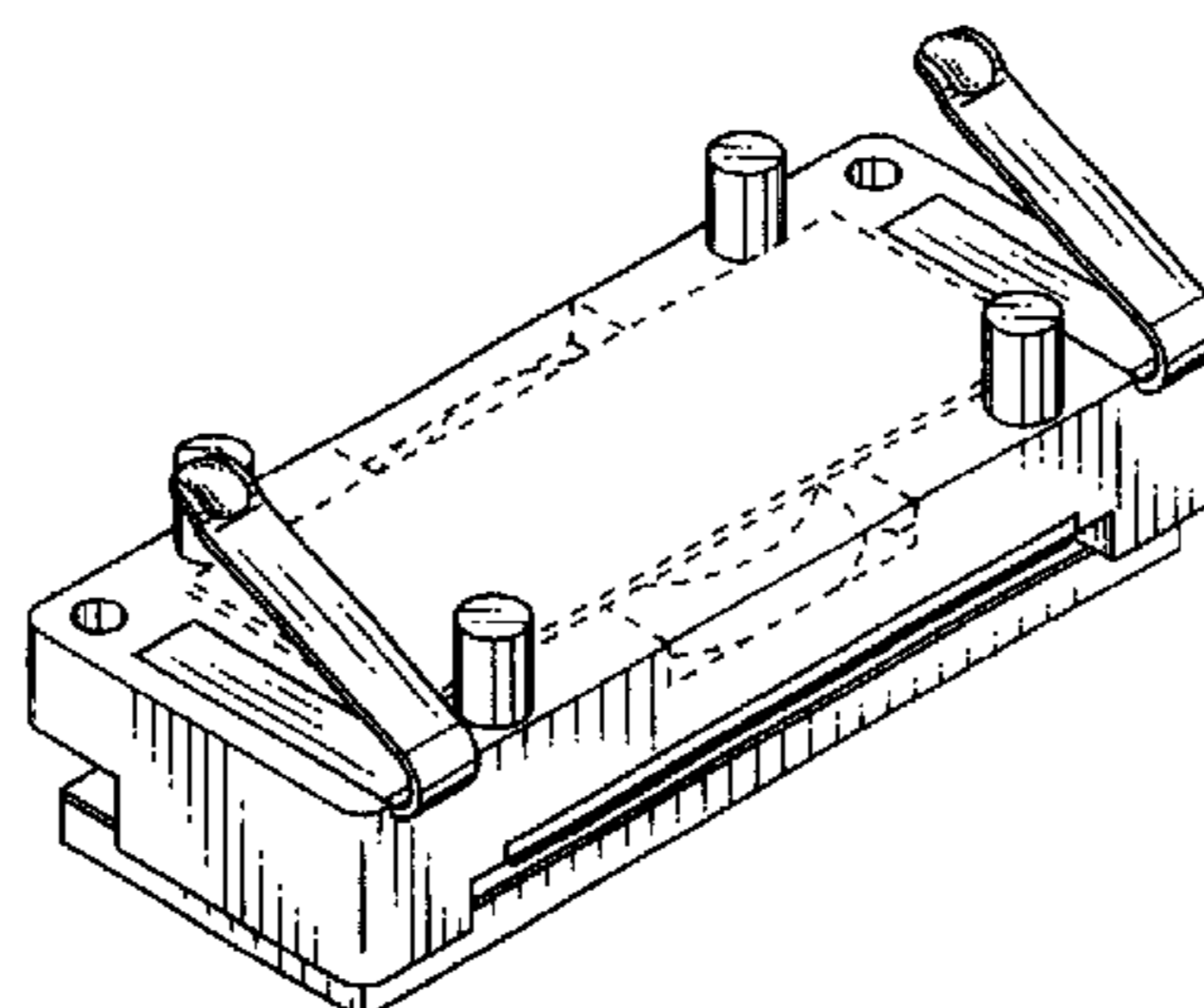
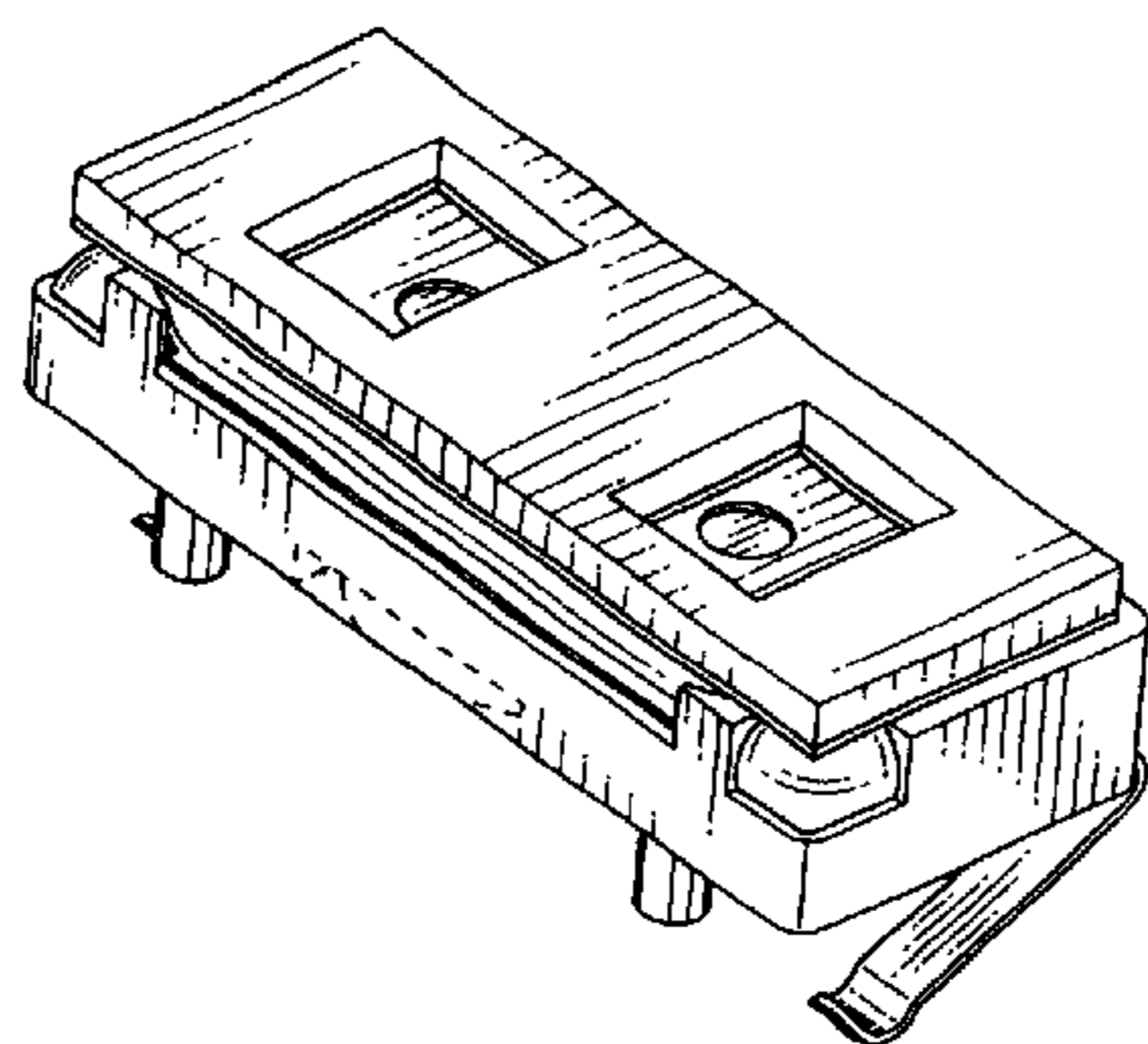
FIG. 5 is a top plan view thereof;

FIG. 6 is a bottom plan view thereof; and,

FIG. 7 is a left side view thereof, the right side view being a mirror image.

The broken line showing on the drawing disclosure is for illustrative purposes only and forms no part of the claimed design.

1 Claim, 3 Drawing Sheets



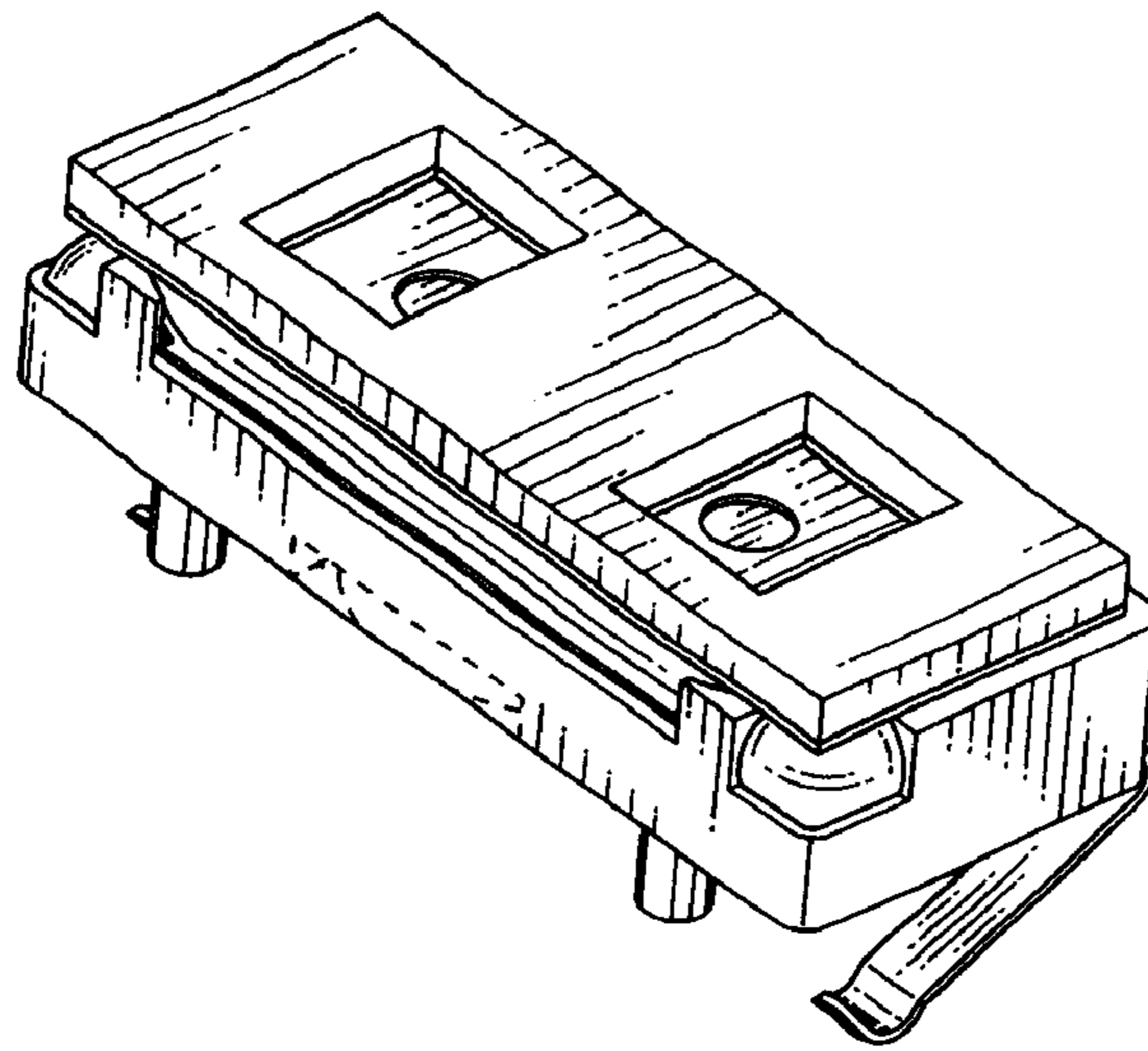


FIG. 1

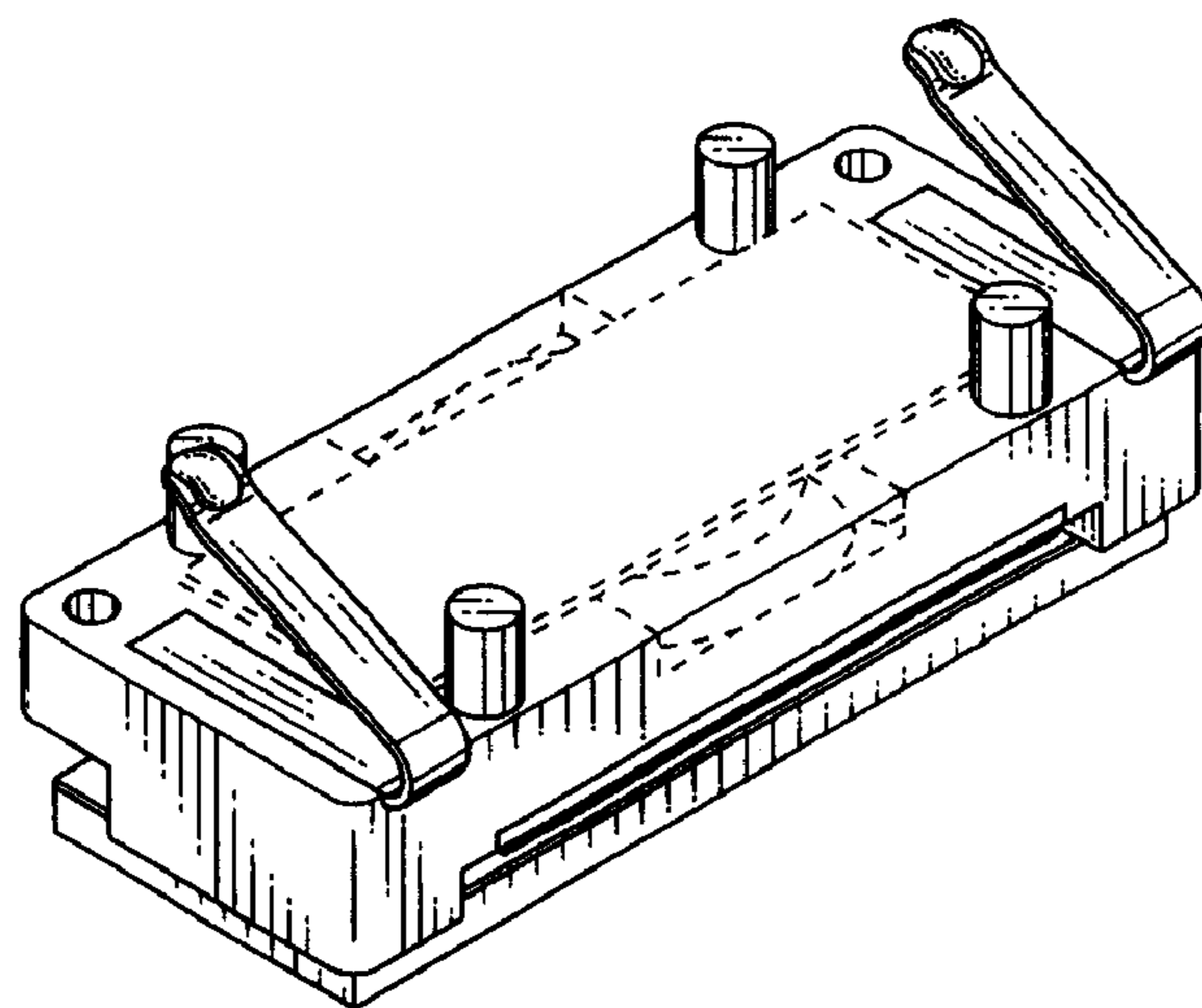


FIG. 2

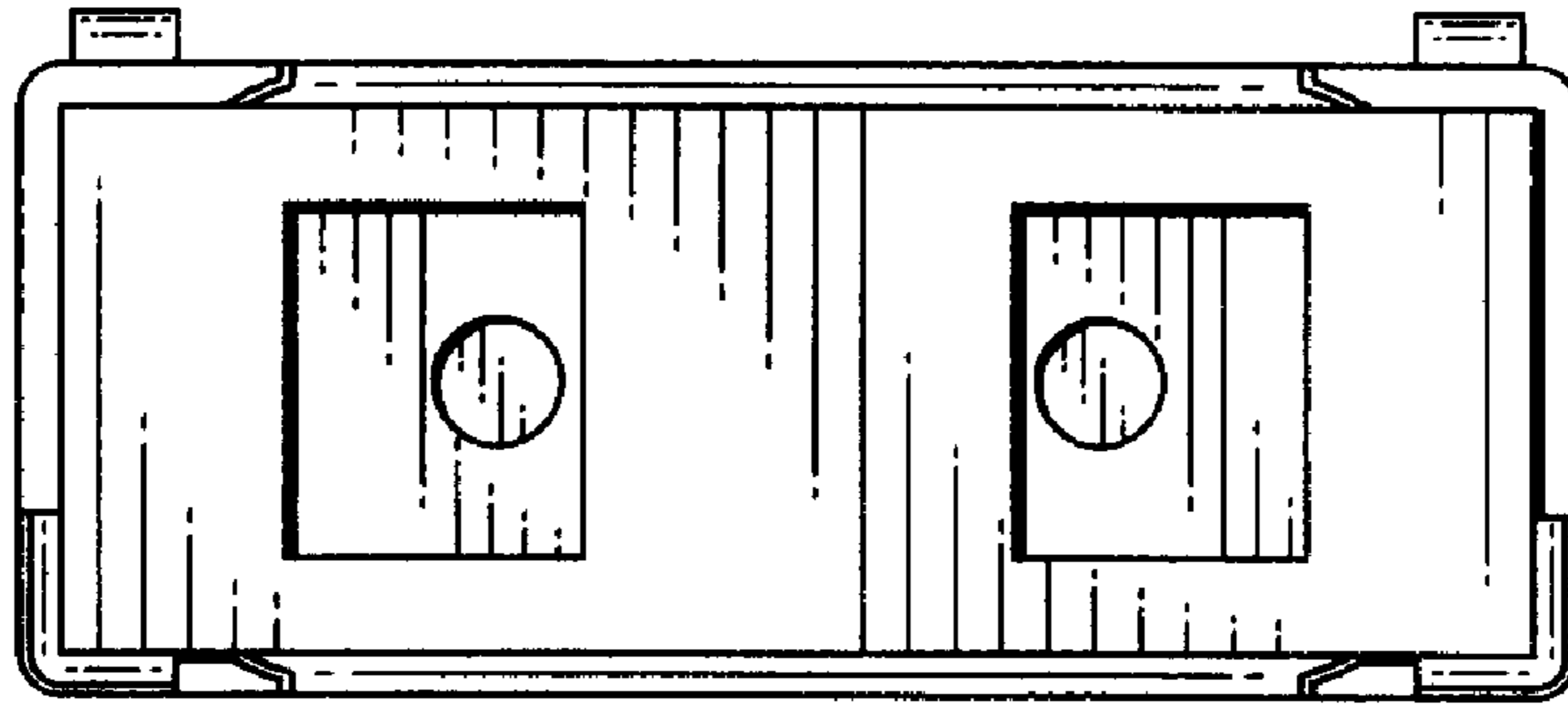


FIG. 3

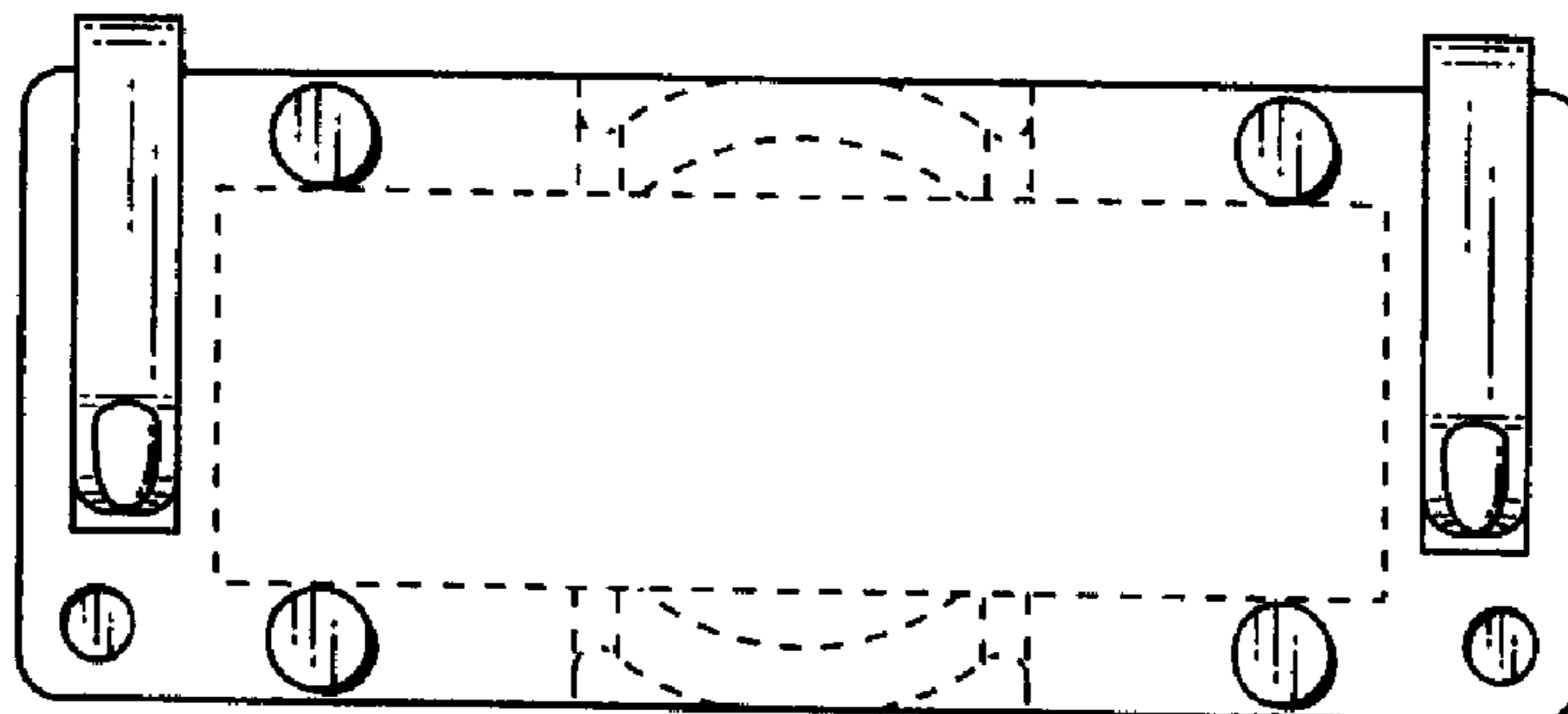


FIG. 4

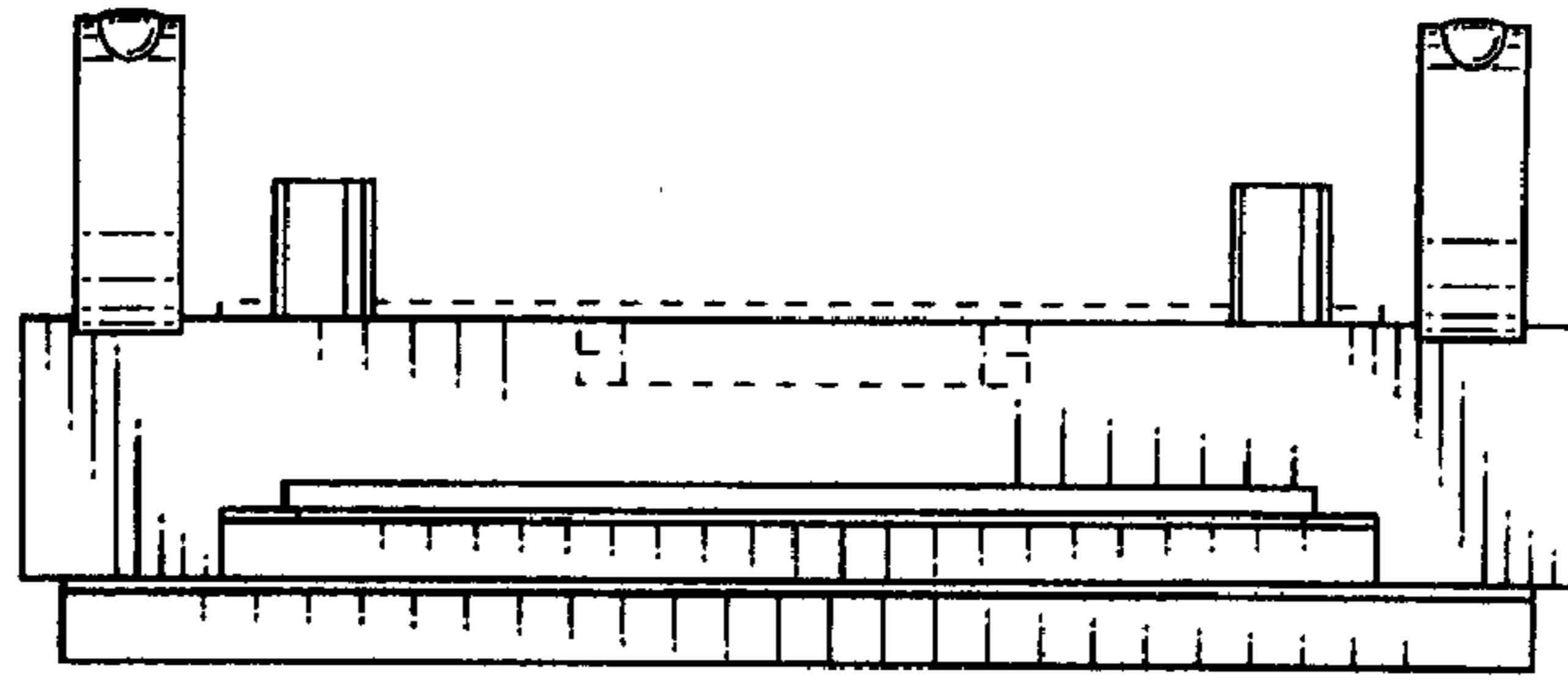


FIG. 5

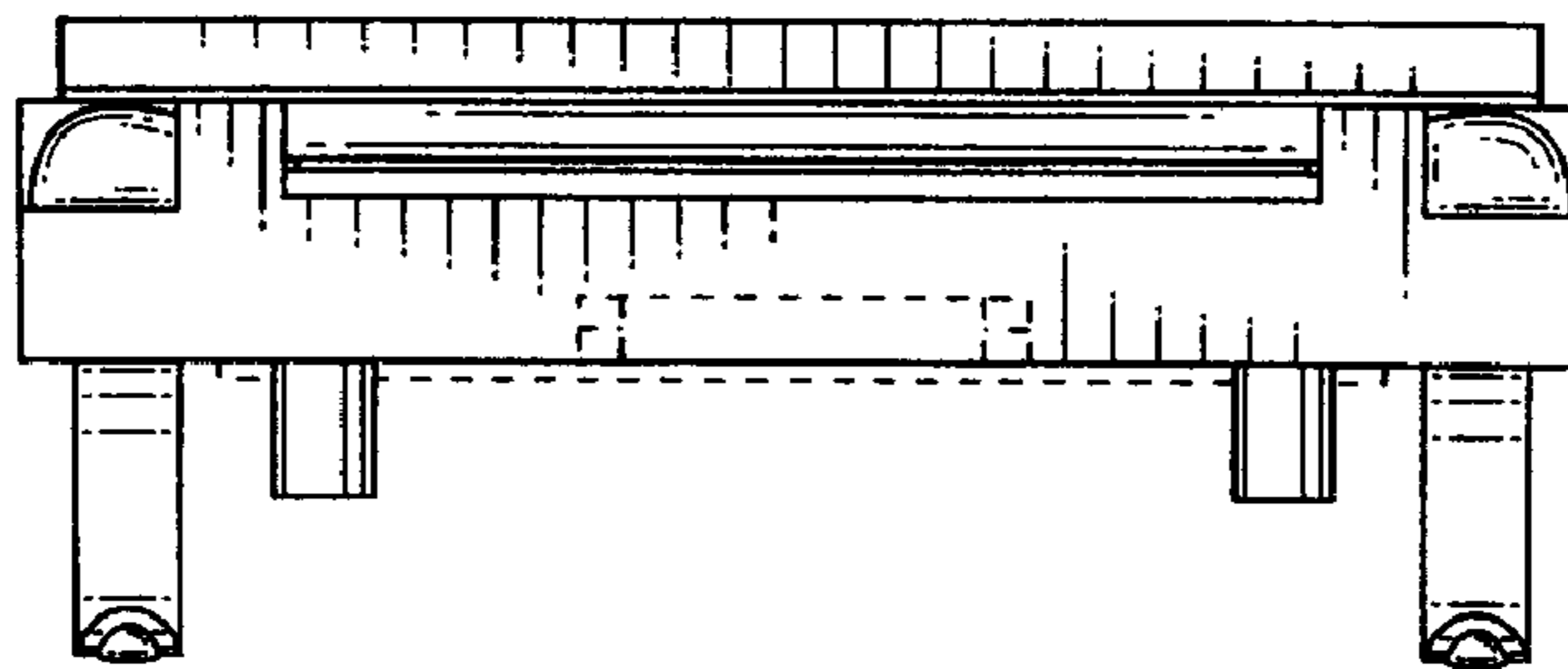


FIG. 6

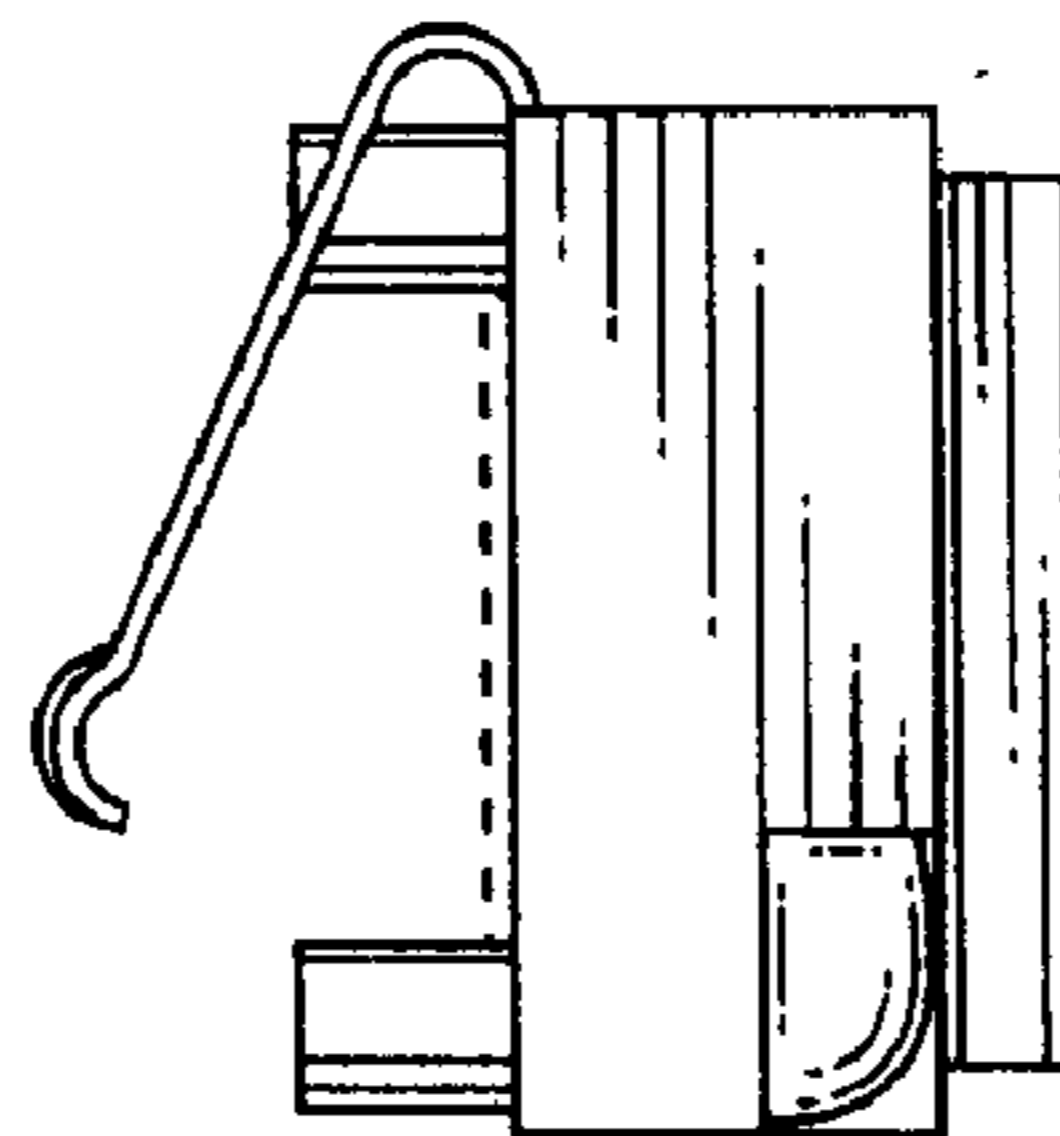


FIG. 7