

US00D529480S

(12) **United States Design Patent**
Wittenbrock et al.

(10) **Patent No.:** **US D529,480 S**

(45) **Date of Patent:** **** Oct. 3, 2006**

(54) **HEADSET**

(75) Inventors: **Steve Wittenbrock**, Portland, OR (US);
Jason Sagan, Portland, OR (US); **Scott Whitman**, San Francisco, CA (US)

(73) Assignee: **The Timao Group, Inc.**, Portland, OR (US)

(**) Term: **14 Years**

(21) Appl. No.: **29/234,304**

(22) Filed: **Jul. 15, 2005**

(51) **LOC (8) Cl.** **14-01**

(52) **U.S. Cl.** **D14/206**

(58) **Field of Classification Search** D14/147,
D14/192, 205, 206, 223, 225, 248; 181/128,
181/129, 130, 22; 381/381, 344, 375; 379/430
See application file for complete search history.

(56) **References Cited**

U.S. PATENT DOCUMENTS

3,548,118	A	*	12/1970	Hutchings	379/430
D233,444	S	*	10/1974	Christian	D14/206
4,453,050	A	*	6/1984	Enokido	381/381
4,617,431	A	*	10/1986	Scott et al.	381/344
4,926,961	A	*	5/1990	Gathey et al.	181/22

5,446,788	A	*	8/1995	Lucey et al.	379/430
5,450,496	A	*	9/1995	Burris et al.	381/375
D371,133	S	*	6/1996	Andrea	D14/206
6,101,260	A	*	8/2000	Jensen et al.	381/381
D439,890	S	*	4/2001	Skulley et al.	D14/223
D441,739	S	*	5/2001	Hayes et al.	D14/223
D460,749	S	*	7/2002	Liu	D14/206

* cited by examiner

Primary Examiner—Paula A. Greene

(74) *Attorney, Agent, or Firm*—ipsilon llp

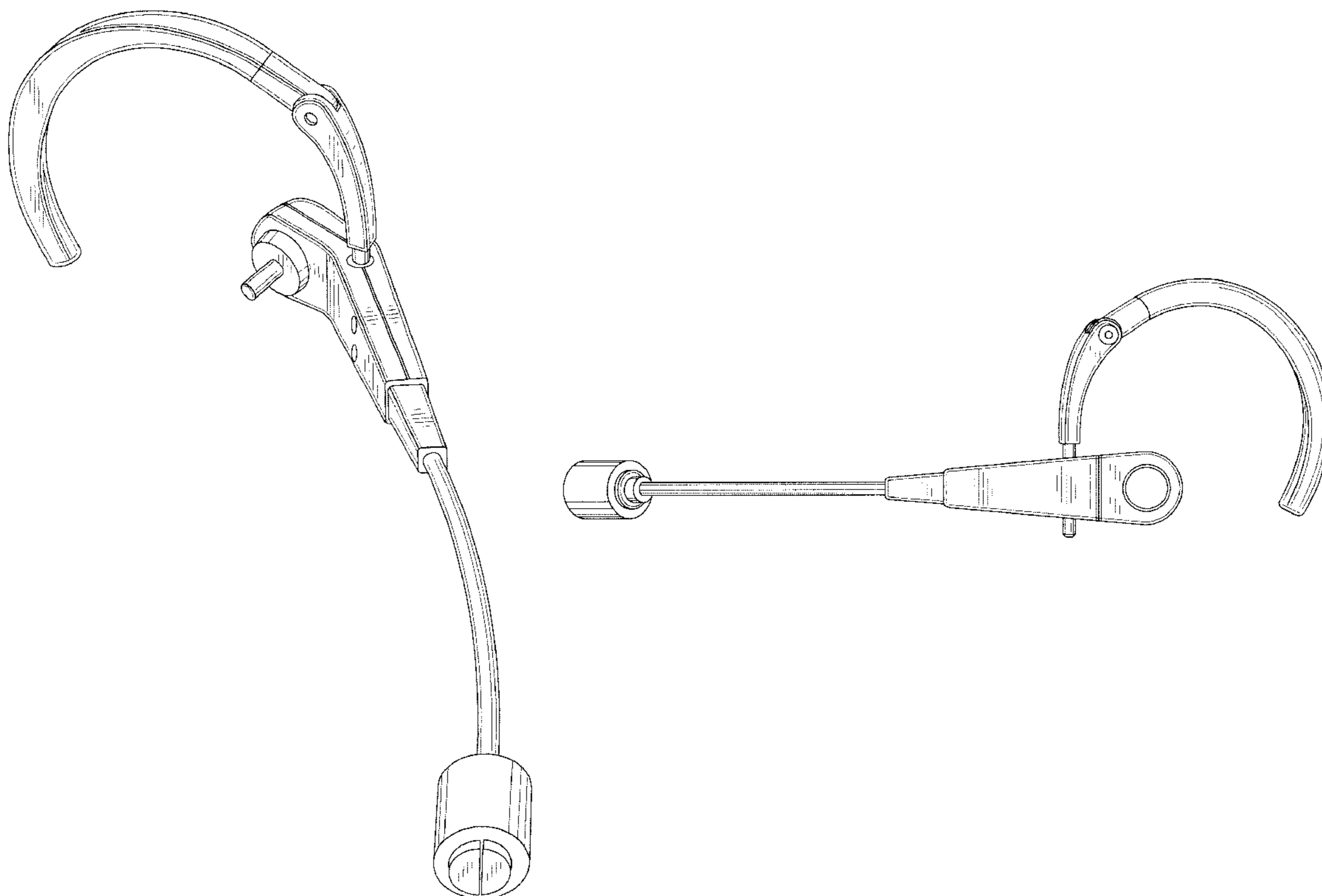
(57) **CLAIM**

We claim the ornamental design for a headset, as shown and described.

DESCRIPTION

FIG. 1 is a top, left side perspective view of a headset showing our new design;
FIG. 2 is a rear elevational view thereof;
FIG. 3 is a front elevational view thereof;
FIG. 4 is a top plan view thereof;
FIG. 5 is a left side elevational view thereof;
FIG. 6 is a right side elevational view thereof; and,
FIG. 7 is a bottom plan view thereof.
The broken lines are for illustrative purposes only and forms no part of the claimed design.

1 Claim, 2 Drawing Sheets



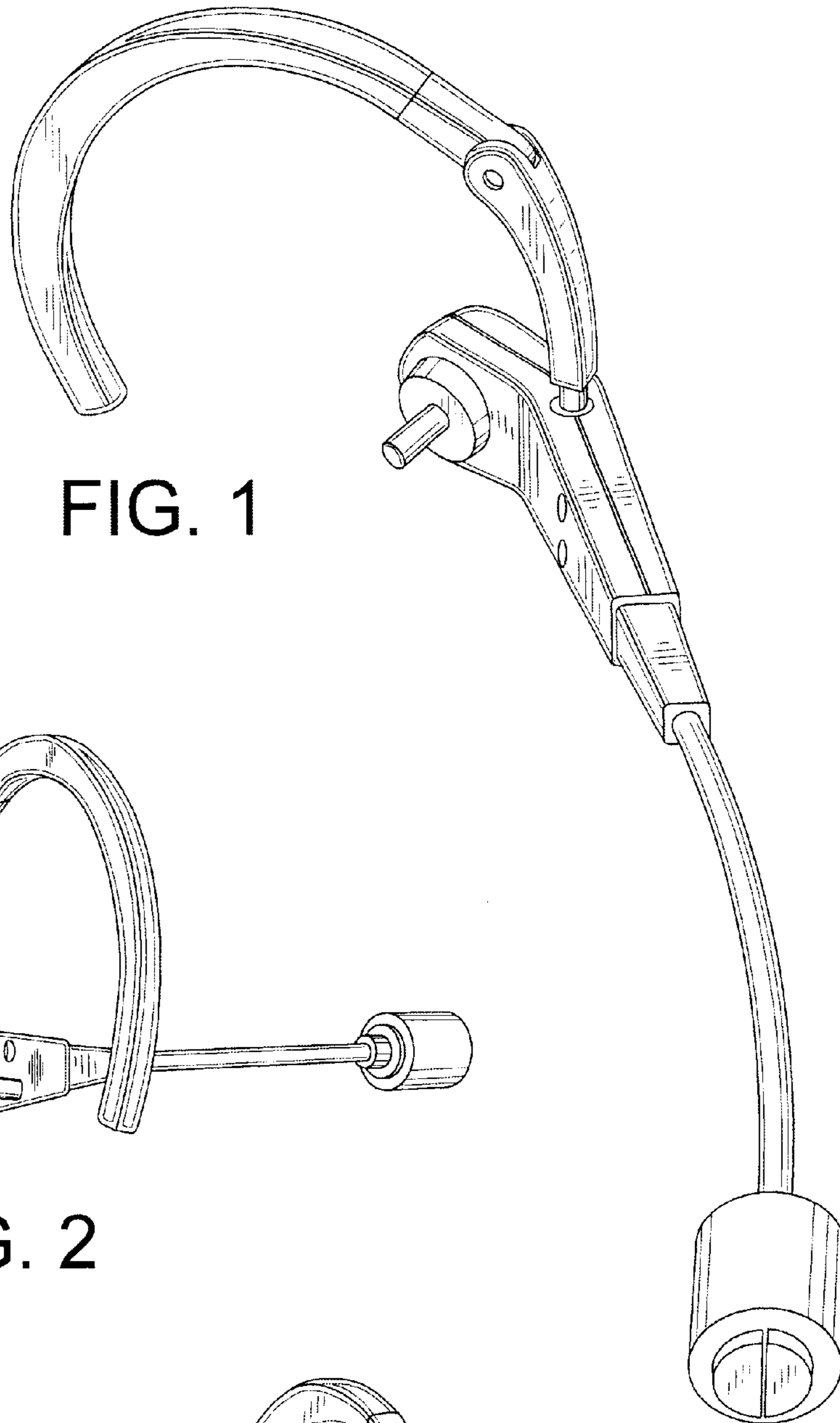


FIG. 1

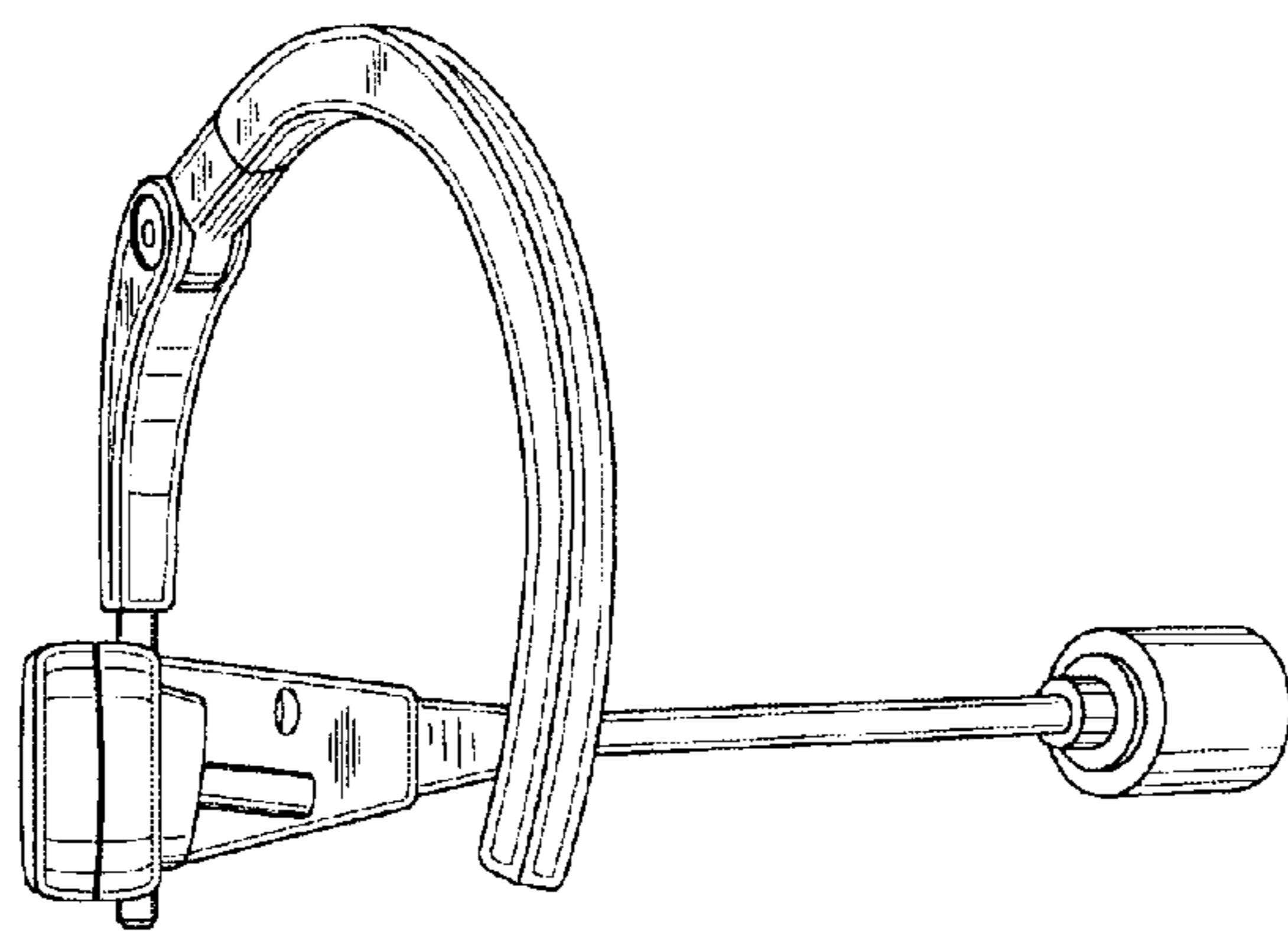


FIG. 2

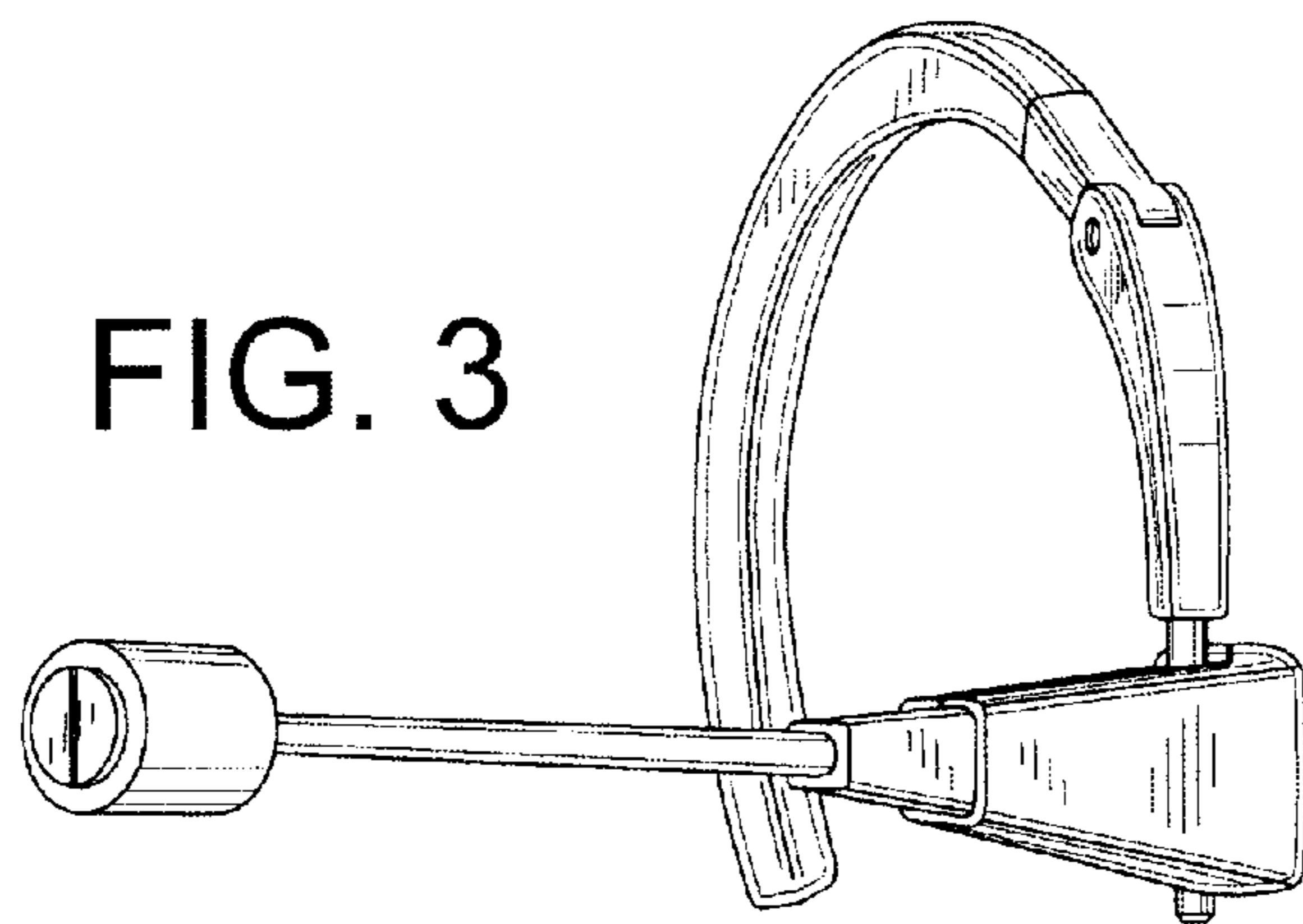


FIG. 3

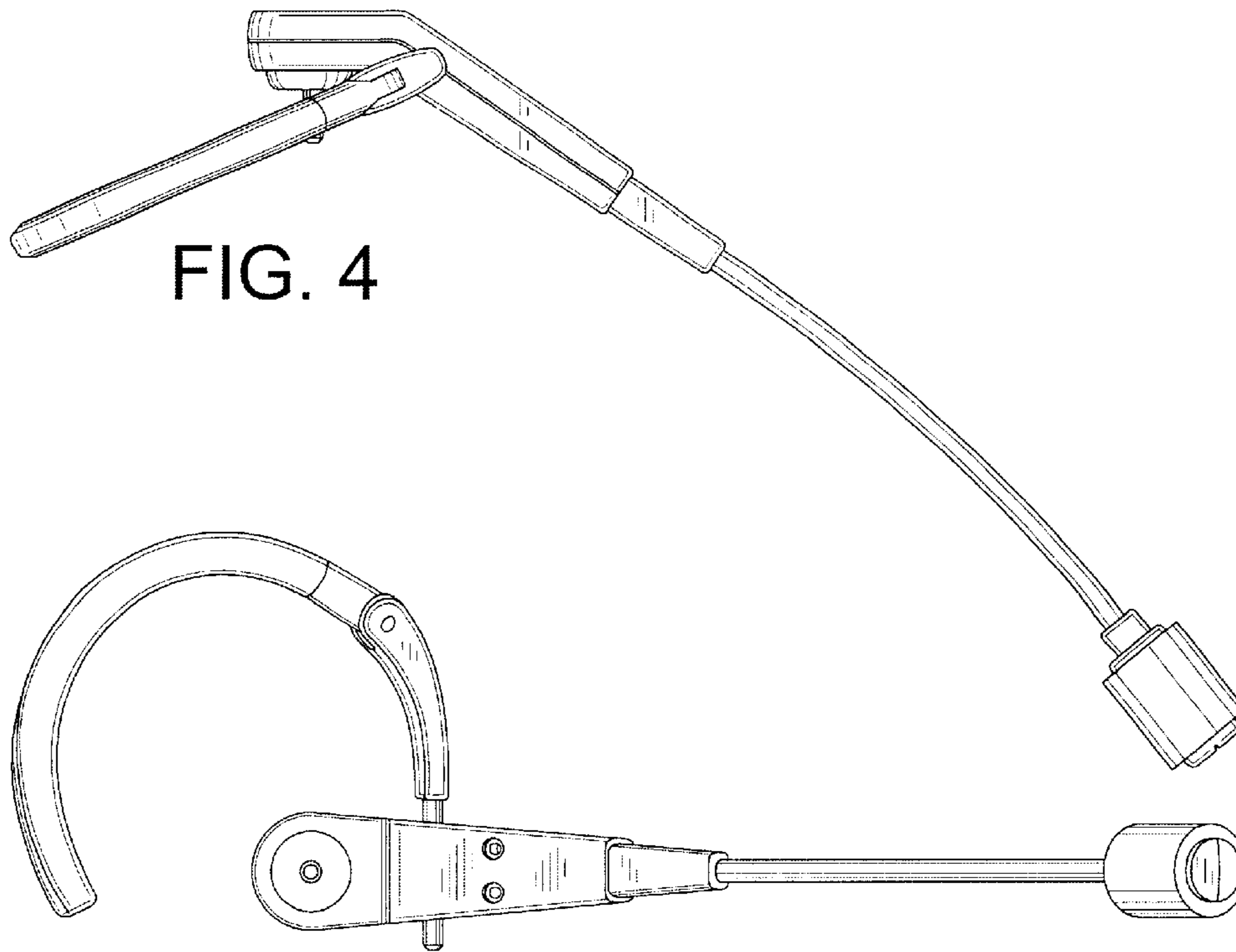


FIG. 4

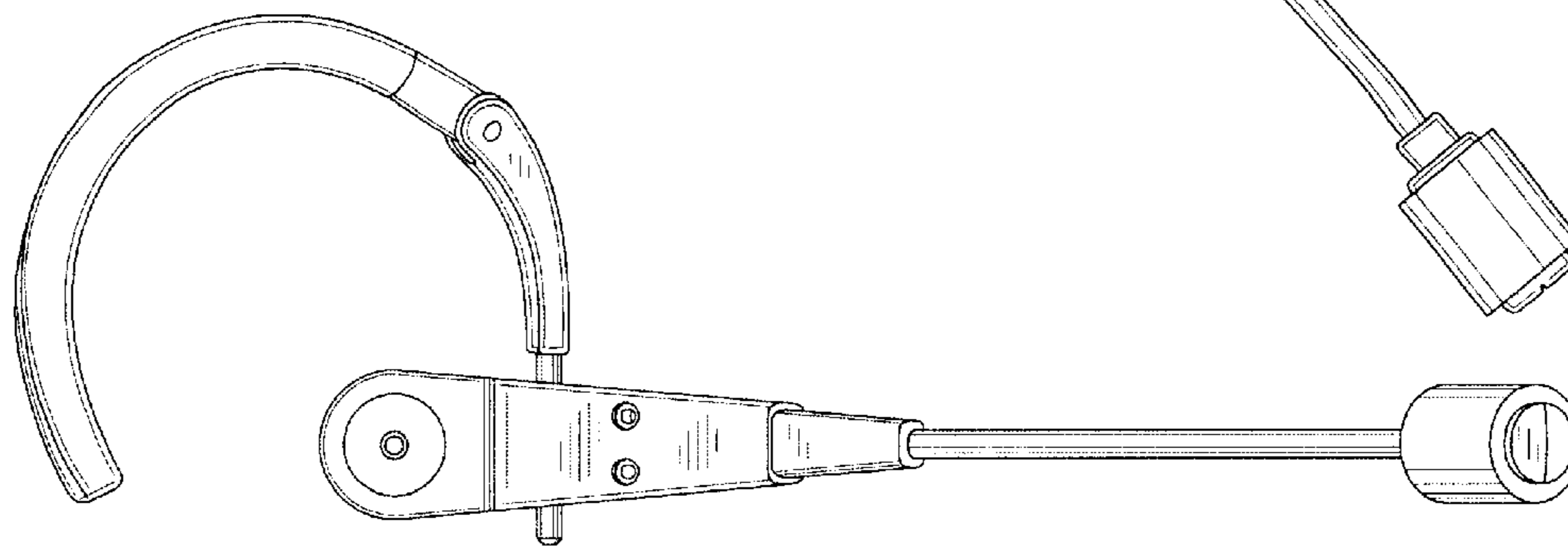


FIG. 5

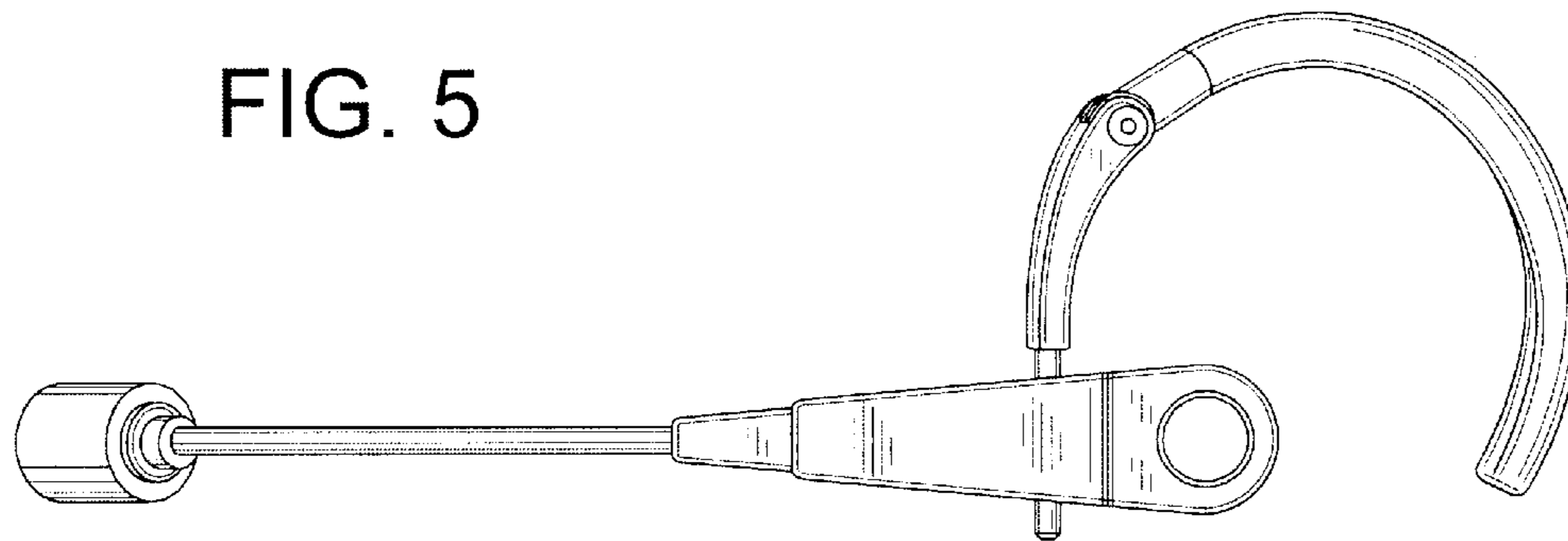


FIG. 6

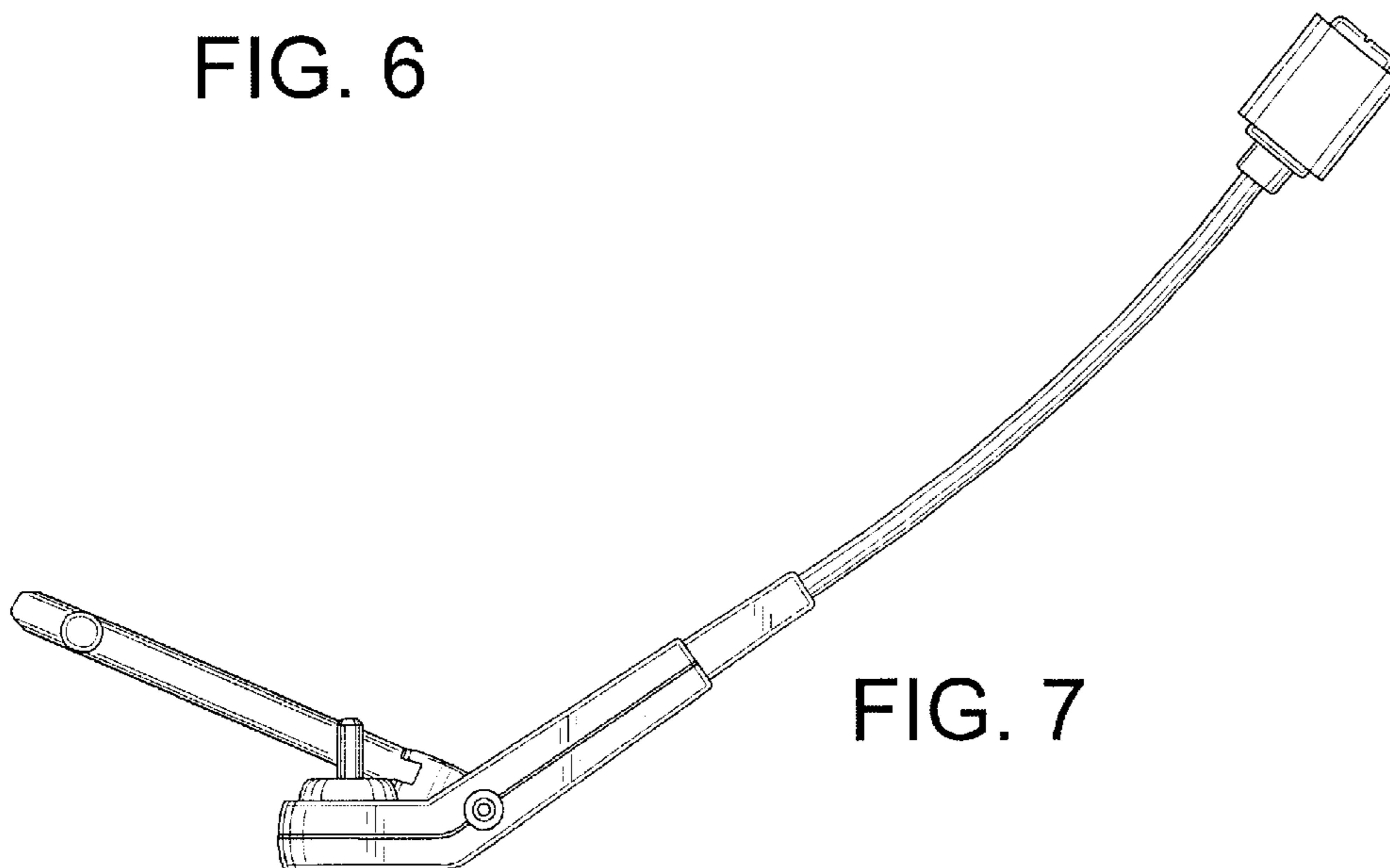


FIG. 7

UNITED STATES PATENT AND TRADEMARK OFFICE
CERTIFICATE OF CORRECTION

PATENT NO. : Des. 529,480 S
APPLICATION NO. : 29/234304
DATED : October 3, 2006
INVENTOR(S) : Wittenbrock et al.

Page 1 of 4

It is certified that error appears in the above-identified patent and that said Letters Patent is hereby corrected as shown below:

Delete Title page illustrating a figure(s), and substitute therefor, new Title page illustrating a figure(s). (attached)

Delete drawing sheets 1 - 2, and substitute therefor drawing sheets 1 - 2. (attached)

Signed and Sealed this

Eighteenth Day of November, 2008

A handwritten signature in black ink that reads "Jon W. Dudas". The signature is written in a cursive style with a large, stylized initial "J".

JON W. DUDAS

Director of the United States Patent and Trademark Office

(12) **United States Design Patent**
Wittenbrock et al.

(10) Patent No.: **US D529,480 S**
(45) Date of Patent: ** **Oct. 3, 2006**

(54) HEADSET

(75) Inventors: **Steve Wittenbrock**, Portland, OR (US);
Jason Sagan, Portland, OR (US); **Scott Whitman**, San Francisco, CA (US)

(73) Assignee: **The Timco Group, Inc.**, Portland, OR (US)

(**) Term: **14 Years**

(21) Appl. No.: **29/234,304**

(22) Filed: **Jul. 15, 2005**

(51) LOC (8) Cl. **14-01**

(52) U.S. Cl. **D14/206**

(58) Field of Classification Search D14/147,
D14/192, 205, 206, 223, 225, 248; 181/128,
181/129, 130, 22; 381/381, 344, 375; 379/430
See application file for complete search history.

(56) **References Cited**

U.S. PATENT DOCUMENTS

3,548,118 A	*	12/1970	Hutchings	379/430
D233,444 S	*	10/1974	Christian	D14/206
4,453,050 A	*	6/1984	Enokido	381/381
4,617,431 A	*	10/1986	Scott et al.	381/344
4,926,961 A	*	5/1990	Garvey et al.	181/22

5,446,788 A	*	8/1995	Lucey et al.	379/430
5,450,496 A	*	9/1995	Burns et al.	381/375
D371,133 S	*	6/1996	Andres	D14/206
6,101,260 A	*	8/2000	Jensen et al.	381/381
D439,890 S	*	4/2001	Skuffey et al.	D14/223
D441,739 S	*	5/2001	Hayes et al.	D14/223
D460,749 S	*	7/2002	Liu	D14/206

* cited by examiner

Primary Examiner—Paula A. Greene
(74) *Attorney, Agent, or Firm*—ipskva llp

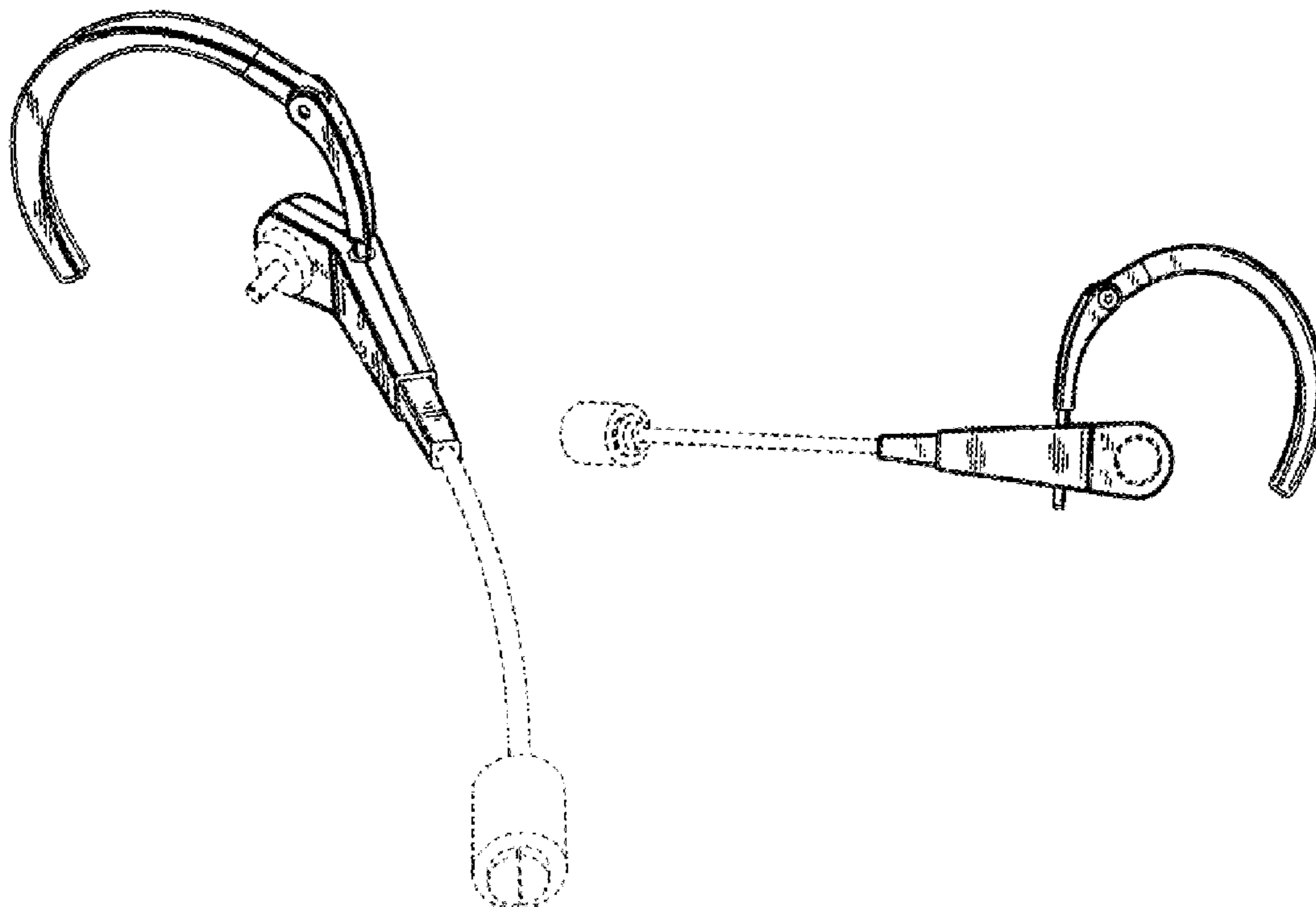
(57) **CLAIM**

We claim the ornamental design for a headset, as shown and described.

DESCRIPTION

FIG. 1 is a top, left side perspective view of a headset showing our new design;
FIG. 2 is a rear elevational view thereof;
FIG. 3 is a front elevational view thereof;
FIG. 4 is a top plan view thereof;
FIG. 5 is a left side elevational view thereof;
FIG. 6 is a right side elevational view thereof; and,
FIG. 7 is a bottom plan view thereof.
The broken lines are for illustrative purposes only and forms no part of the claimed design.

1 Claim, 2 Drawing Sheets



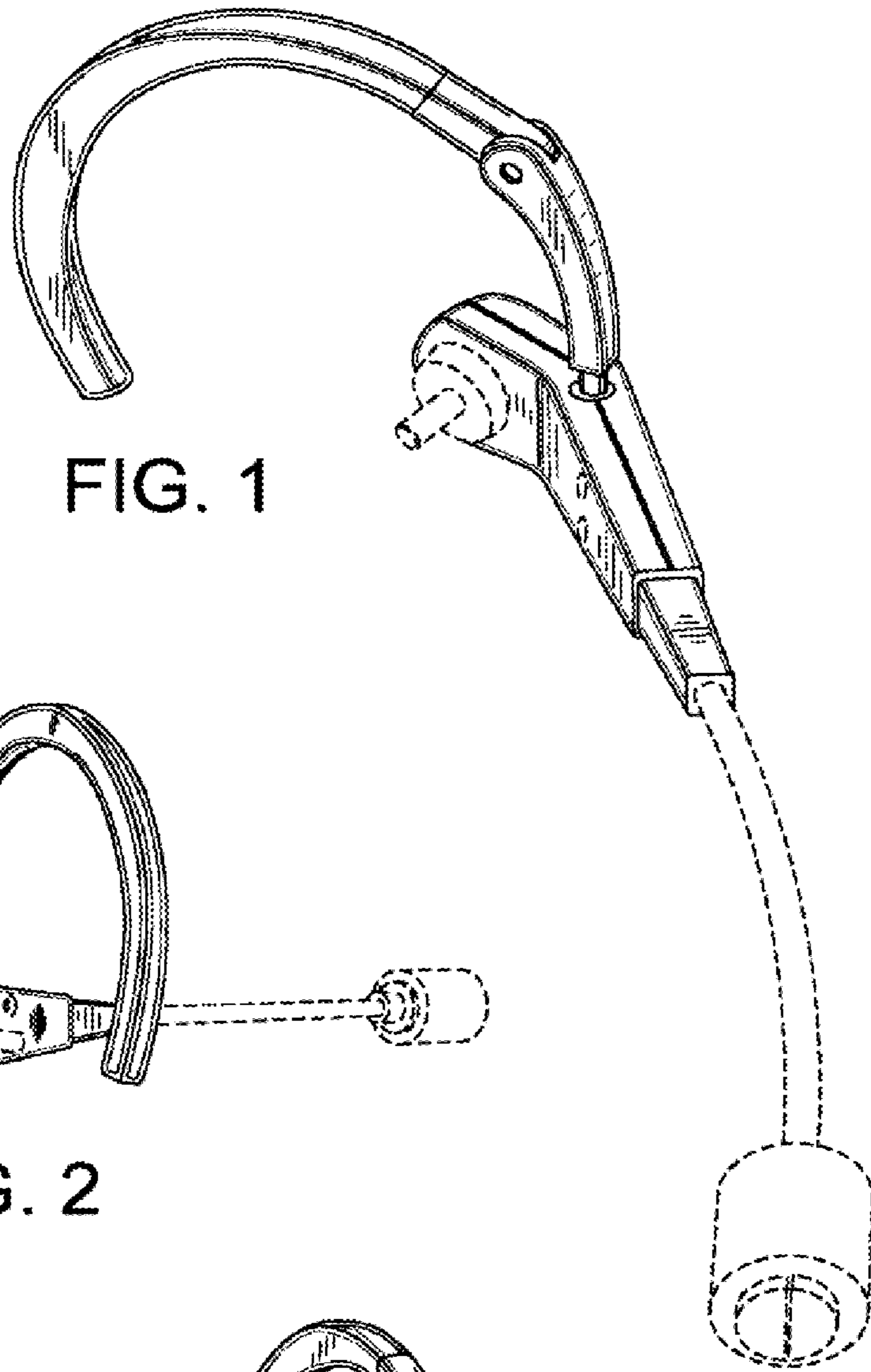


FIG. 1

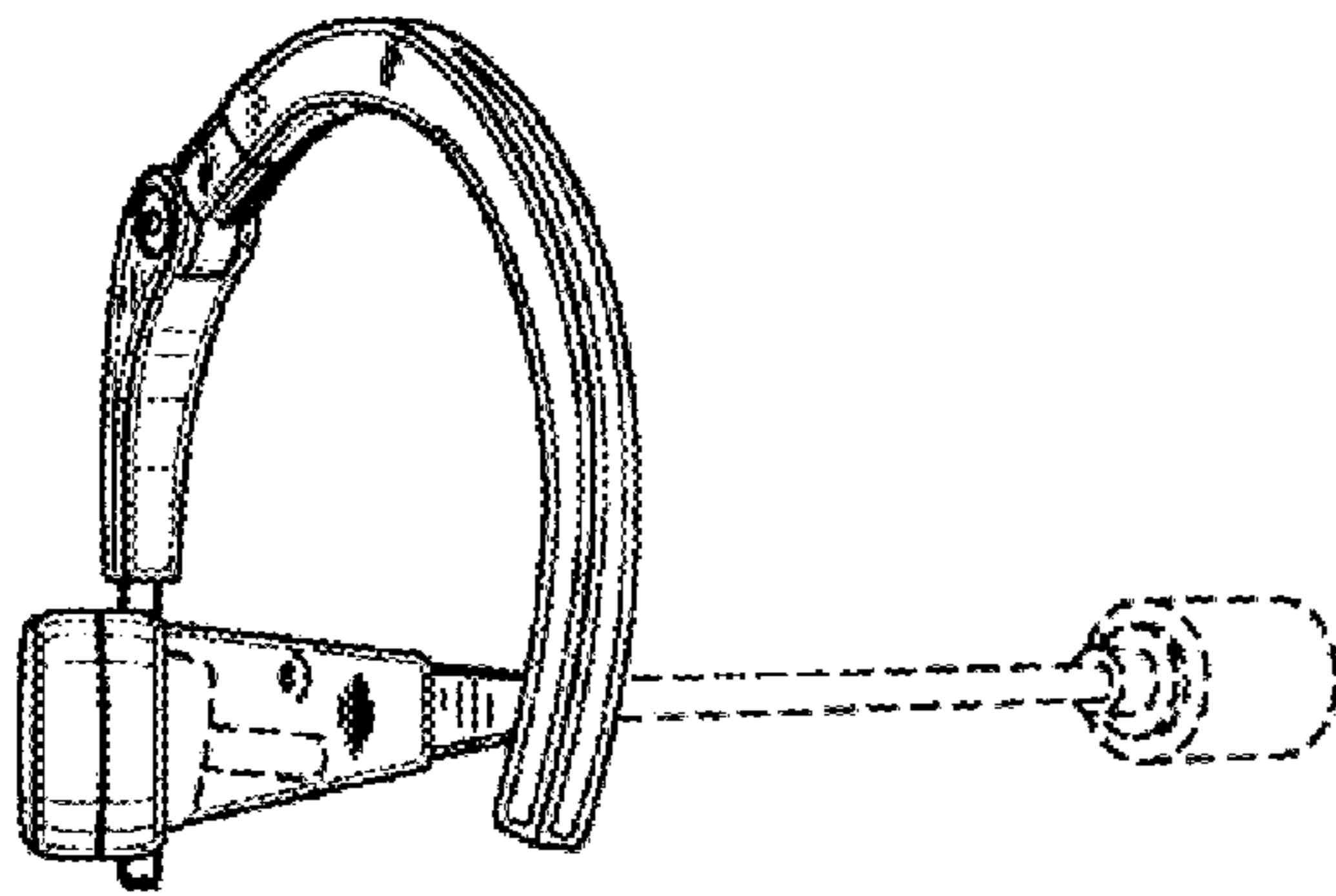


FIG. 2

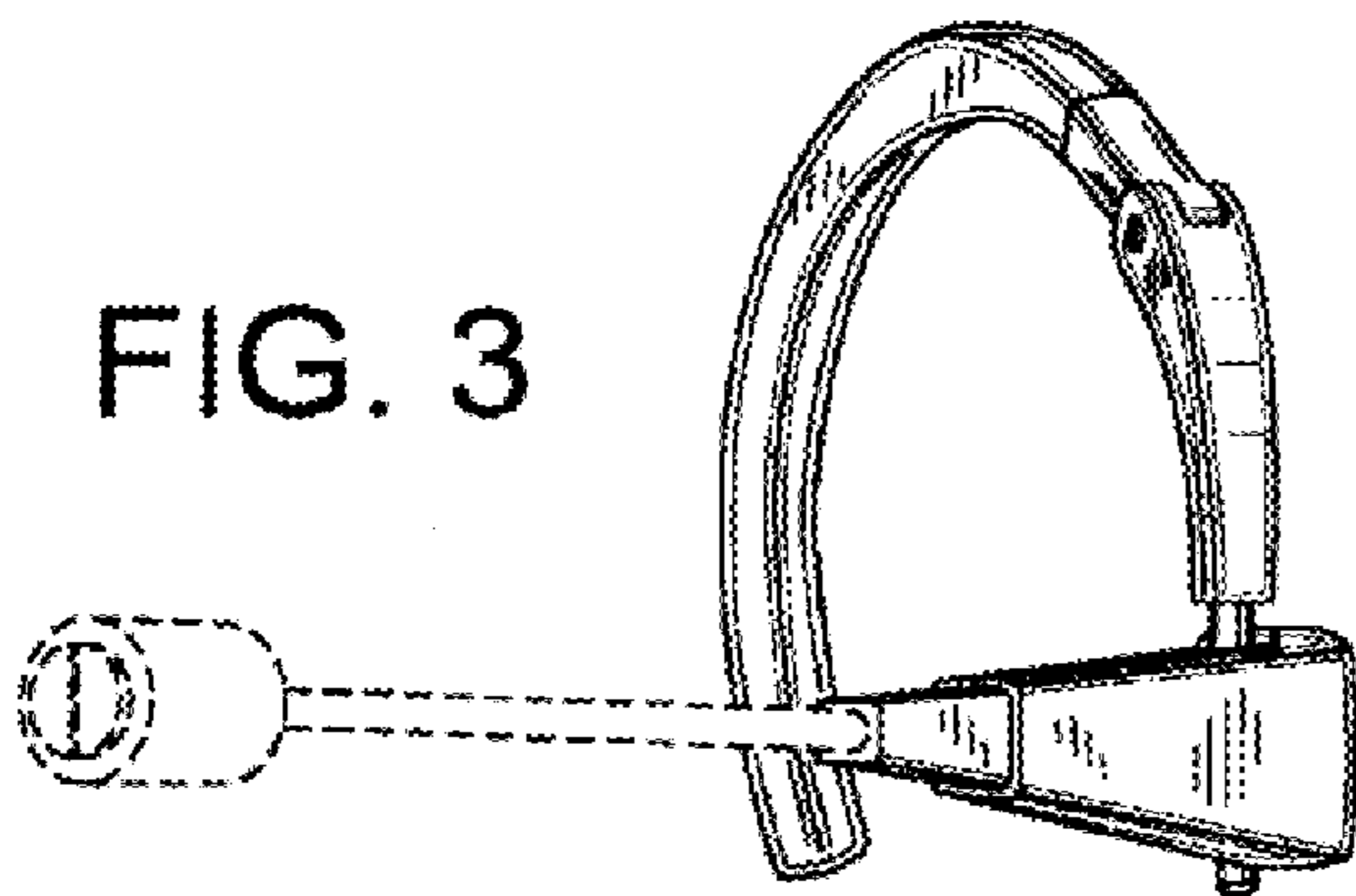


FIG. 3

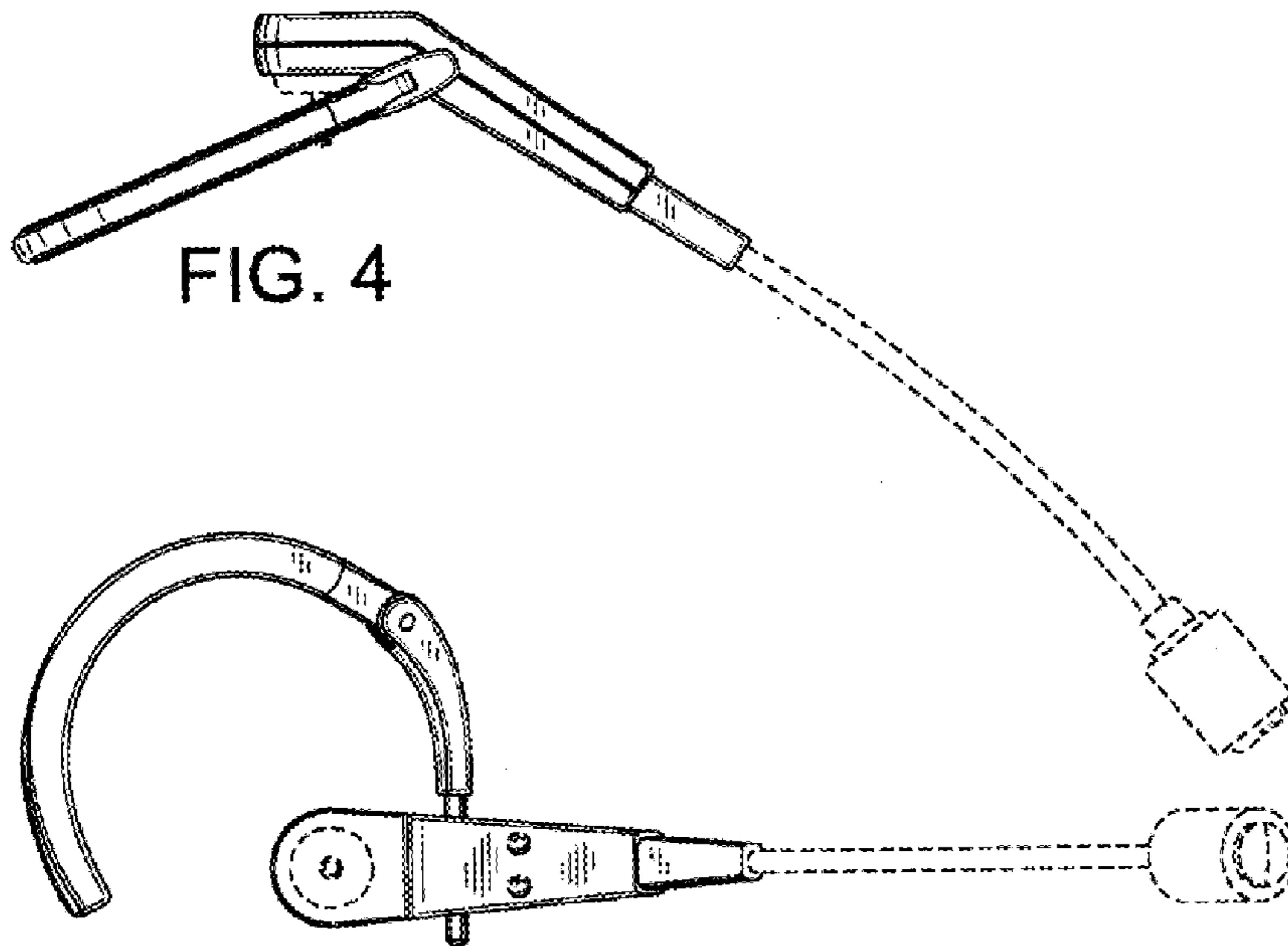


FIG. 4

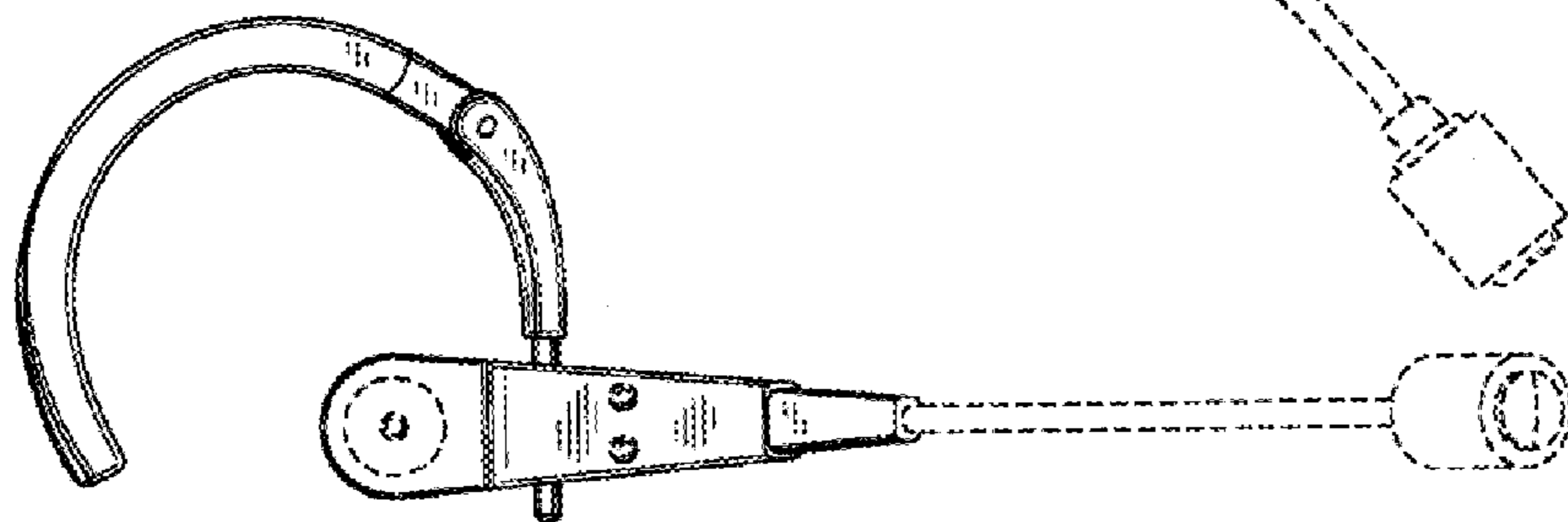


FIG. 5

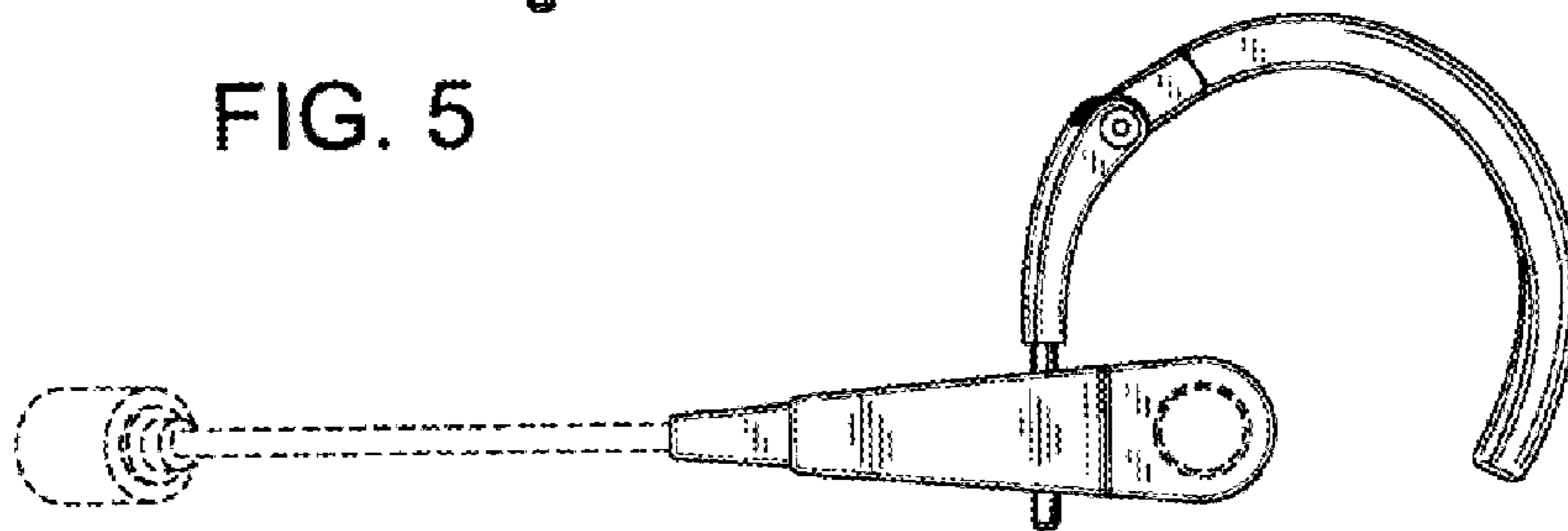


FIG. 6

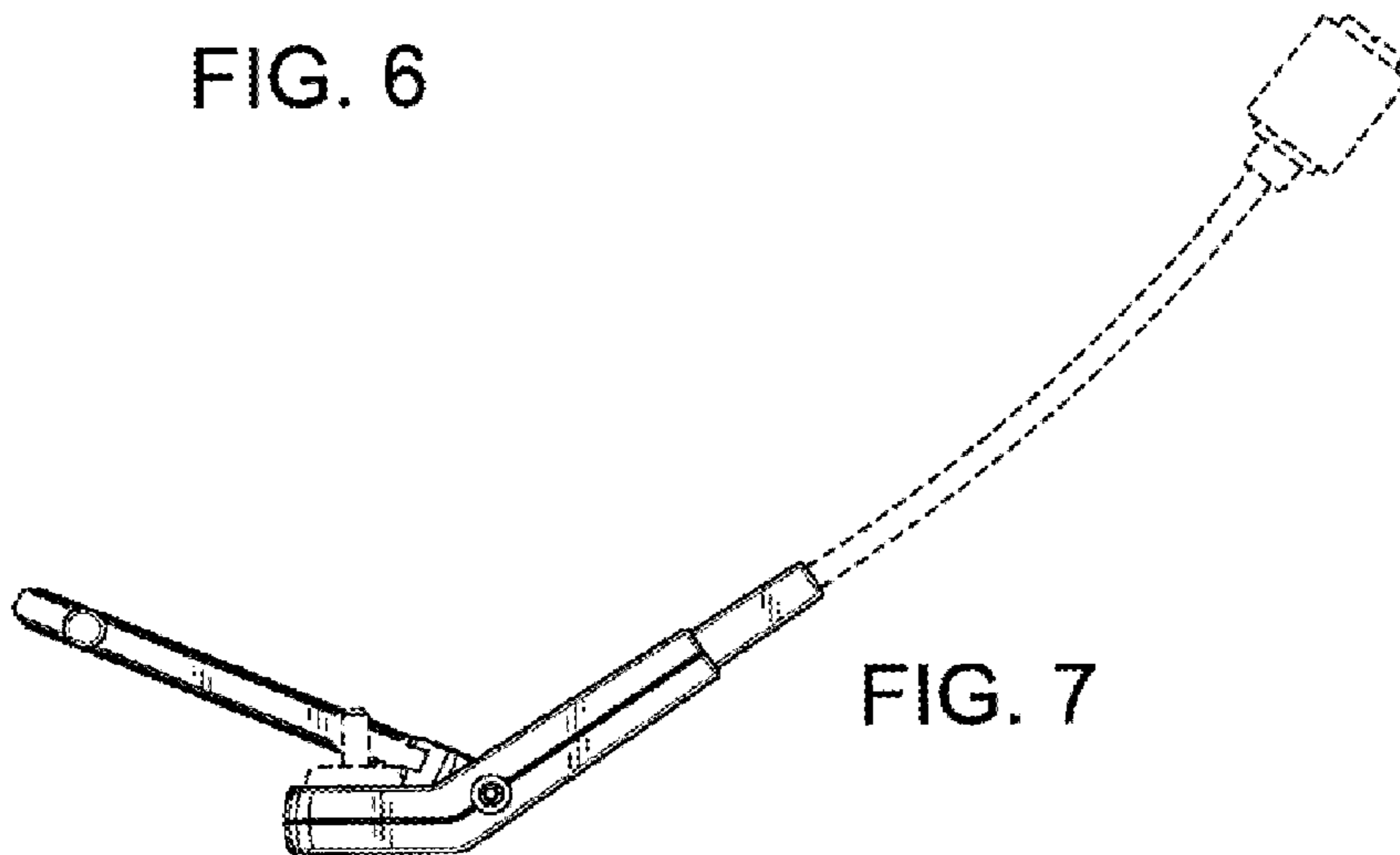


FIG. 7