

US00D529479S

(12) **United States Design Patent**
Wolf, II et al.

(10) **Patent No.:** **US D529,479 S**

(45) **Date of Patent:** **** Oct. 3, 2006**

(54) **AUDIO COMPONENT FRONT FACE**

(75) Inventors: **John D. Wolf, II**, Edwardsburg, MI (US); **Jose Jorge Silva**, Mishawaka, IN (US); **Robert Chadderdon**, Niles, MI (US)

(73) Assignee: **Harman International Industries, Incorporated**, Northridge, CA (US)

(**) Term: **14 Years**

(21) Appl. No.: **29/236,048**

(22) Filed: **Aug. 10, 2005**

(51) **LOC (8) Cl.** **14-03**

(52) **U.S. Cl.** **D14/188; D14/217**

(58) **Field of Classification Search** D14/188, D14/194, 204, 224, 217-219, 265, 299, 257, D14/258; 455/344-351; 369/1, 6, 7, 12
See application file for complete search history.

(56) **References Cited**

U.S. PATENT DOCUMENTS

- D373,589 S * 9/1996 Peterson et al. D14/257
- 5,862,468 A * 1/1999 Kim 455/321
- 6,134,192 A * 10/2000 Gorzelski et al. 369/2
- D455,728 S * 4/2002 Kobayashi D14/168

- 6,708,043 B1 * 3/2004 Ogawa 455/345
- D500,303 S * 12/2004 Riede et al. D14/188
- D504,881 S * 5/2005 Kangasmaa D14/188
- D512,419 S * 12/2005 Juskiewicz et al. D14/257
- D512,980 S * 12/2005 Zuehlsdorff et al. D14/188
- D514,084 S * 1/2006 Lee et al. D14/188

* cited by examiner

Primary Examiner—Prabhakar Deshmukh

(74) *Attorney, Agent, or Firm*—Plumsea Law Group, LLC

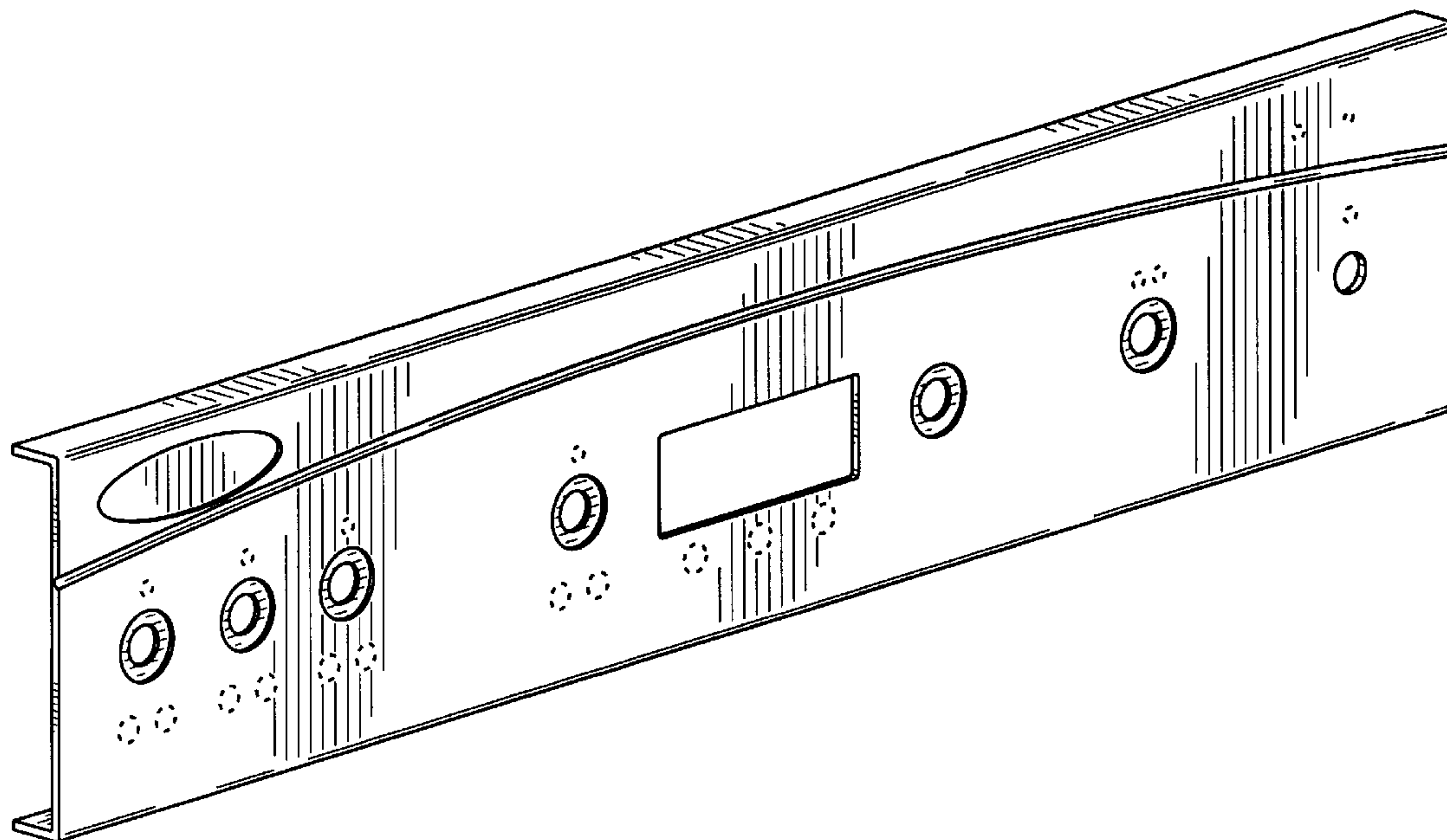
(57) **CLAIM**

The ornamental design for an audio component front face, as shown and described.

DESCRIPTION

FIG. 1 is a perspective view of an audio component front face showing our new design;
 FIG. 2 is a front elevational view thereof;
 FIG. 3 is a side elevational view of one side thereof;
 FIG. 4 is a side elevational view of the other side thereof;
 FIG. 5 is a top plan view thereof; and,
 FIG. 6 is a bottom plan view thereof.
 The rear side is not claimed. The broken line showings of the circles are for illustrative purposes only and form no part of the claimed design.

1 Claim, 3 Drawing Sheets



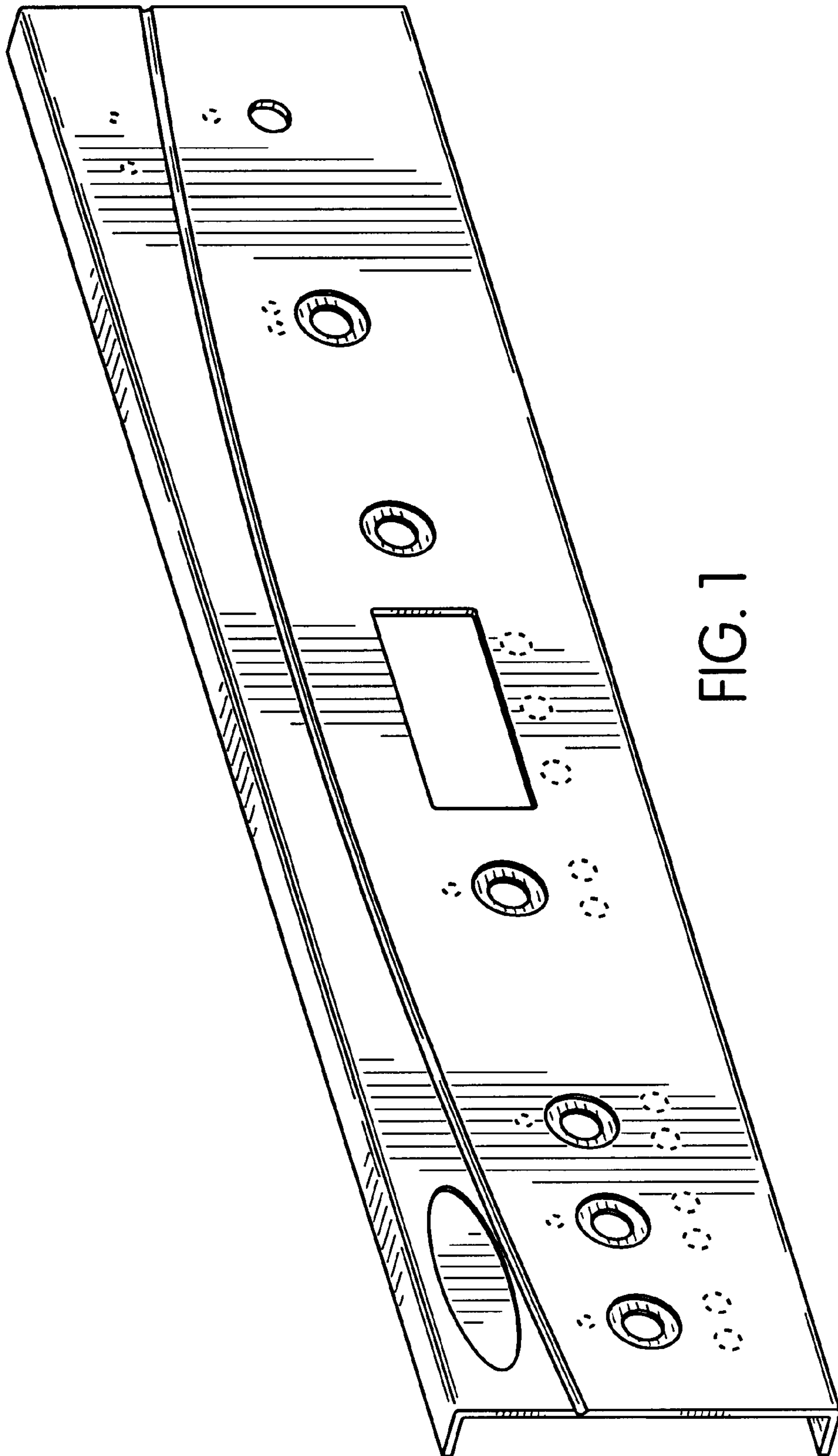


FIG. 1

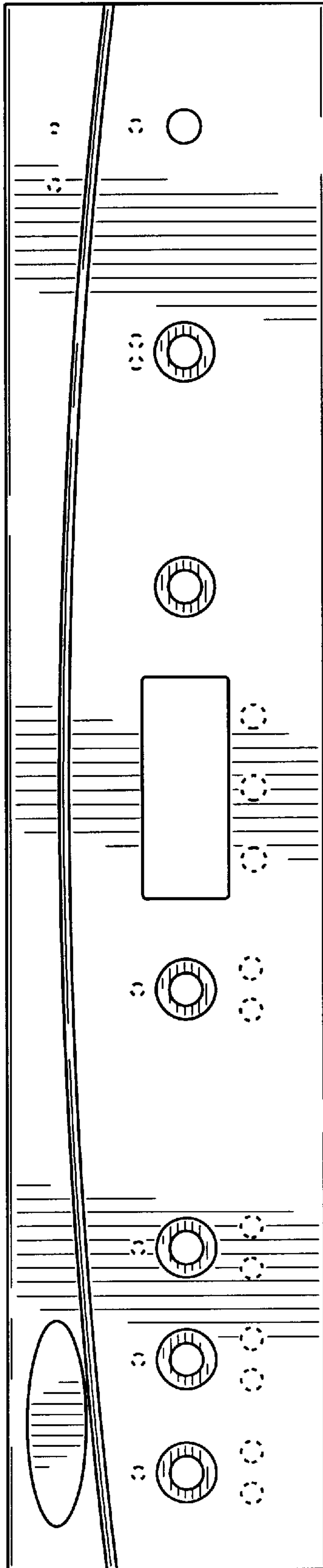


FIG. 2



FIG. 3



FIG. 4



FIG. 5



FIG. 6