

US00D529478S

(12) **United States Design Patent**
Rozier

(10) **Patent No.:** **US D529,478 S**

(45) **Date of Patent:** **** Oct. 3, 2006**

(54) **RADIO**

(75) Inventor: **Charles Rozier**, Westport, CT (US)

(73) Assignee: **Boston Acoustics, Inc.**, Peabody, MA (US)

(**) Term: **14 Years**

(21) Appl. No.: **29/226,761**

(22) Filed: **Mar. 31, 2005**

(51) **LOC (8) Cl.** **14-03**

(52) **U.S. Cl.** **D14/188**

(58) **Field of Classification Search** D14/188,
D14/162, 163, 168, 193-198, 170, 171, 135,
D14/136, 265; 369/6-12; 455/344-351
See application file for complete search history.

(56) **References Cited**

U.S. PATENT DOCUMENTS

3,347,607	A	*	10/1967	Knize	312/8.11
3,970,782	A	*	7/1976	Fenne	348/839
D327,682	S	*	7/1992	Shimazu	D14/168
5,349,575	A	*	9/1994	Park	369/1
D375,742	S	*	11/1996	Weissberg et al.	D14/188
6,061,229	A	*	5/2000	Gates et al.	361/610

D435,034	S	*	12/2000	Tejima	D14/168
D445,099	S	*	7/2001	Benders	D14/135
D478,327	S	*	8/2003	Rozier	D14/188
D489,355	S	*	5/2004	Yeh	D14/188
D489,356	S	*	5/2004	Cho	D14/188
D500,490	S	*	1/2005	Zeitman	D14/188
D510,927	S	*	10/2005	Harris et al.	D14/188

* cited by examiner

Primary Examiner—Prabhakar Deshmukh

(74) *Attorney, Agent, or Firm*—Peter A. Nieves; Sheehan Phinney Bass & Green, PA

(57) **CLAIM**

I claim the ornamental design for a radio, as shown and described.

DESCRIPTION

FIG. 1 is a perspective view of the radio of the present invention;

FIG. 2 is a front view of the radio;

FIG. 3 is a back view of the radio;

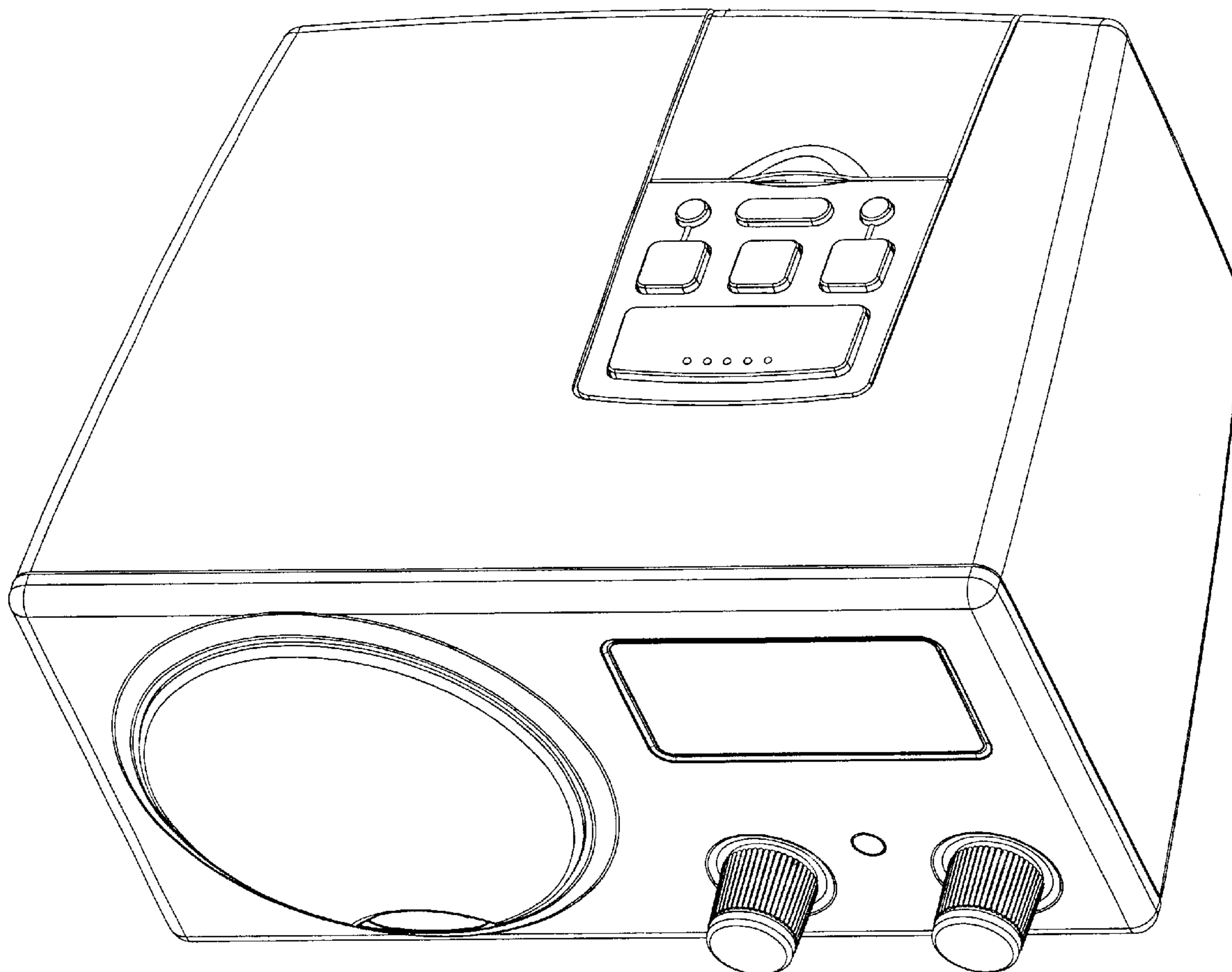
FIG. 4 is a top view of the radio;

FIG. 5 is a bottom view of the radio;

FIG. 6 is a right side view of the radio; and,

FIG. 7 is a left side view of the radio.

1 Claim, 7 Drawing Sheets



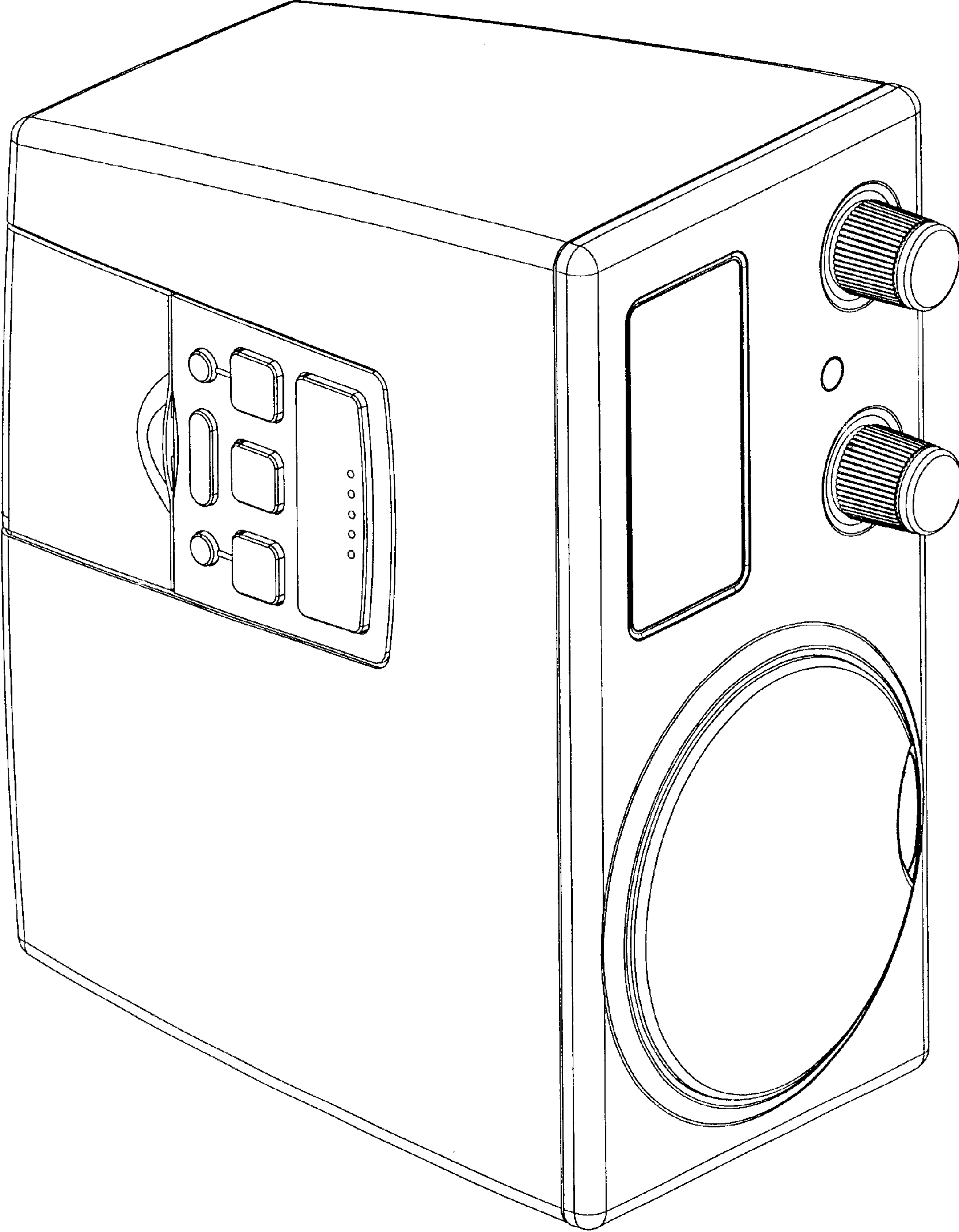


FIG. 1

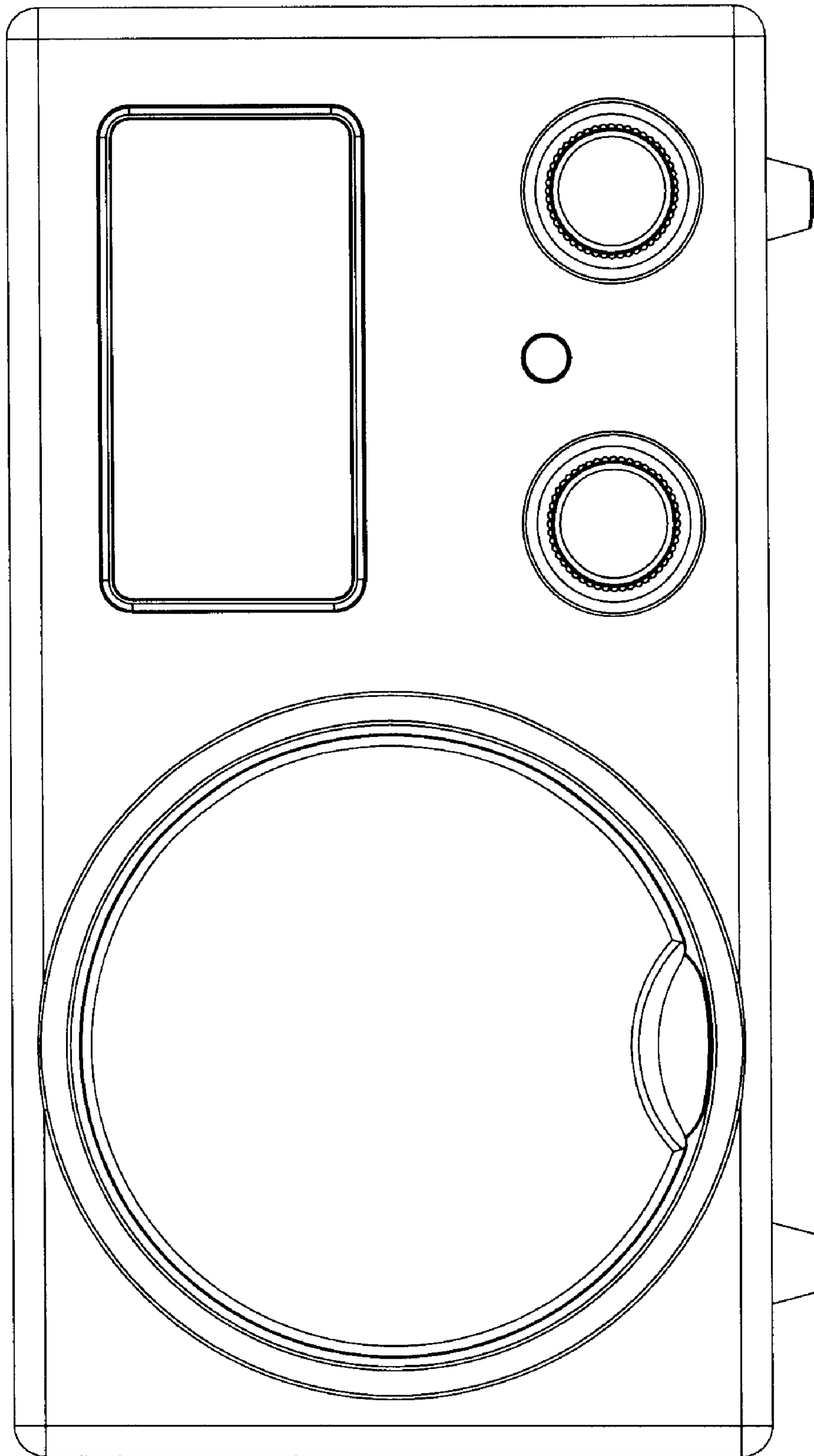


FIG. 2

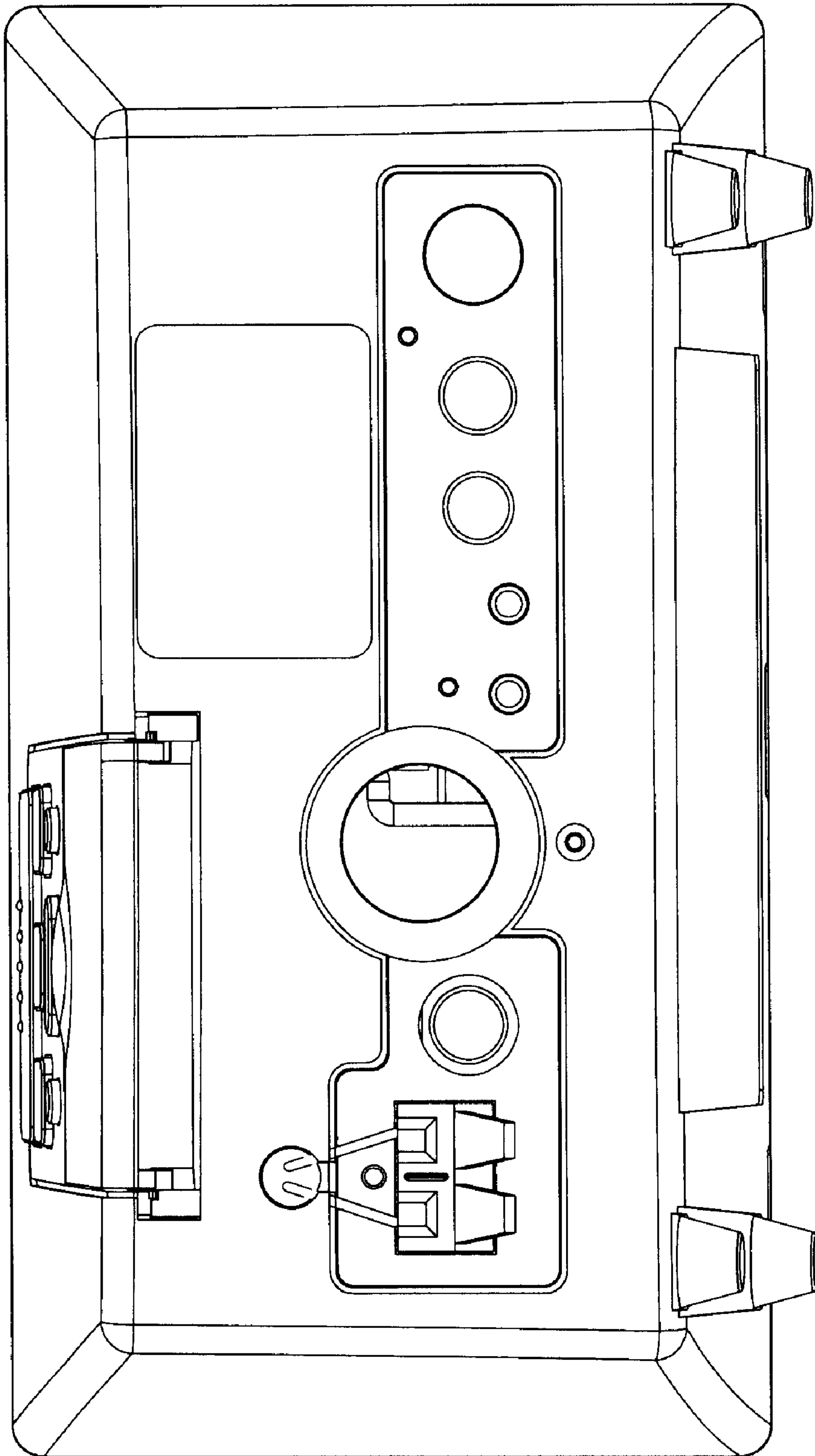


FIG. 3

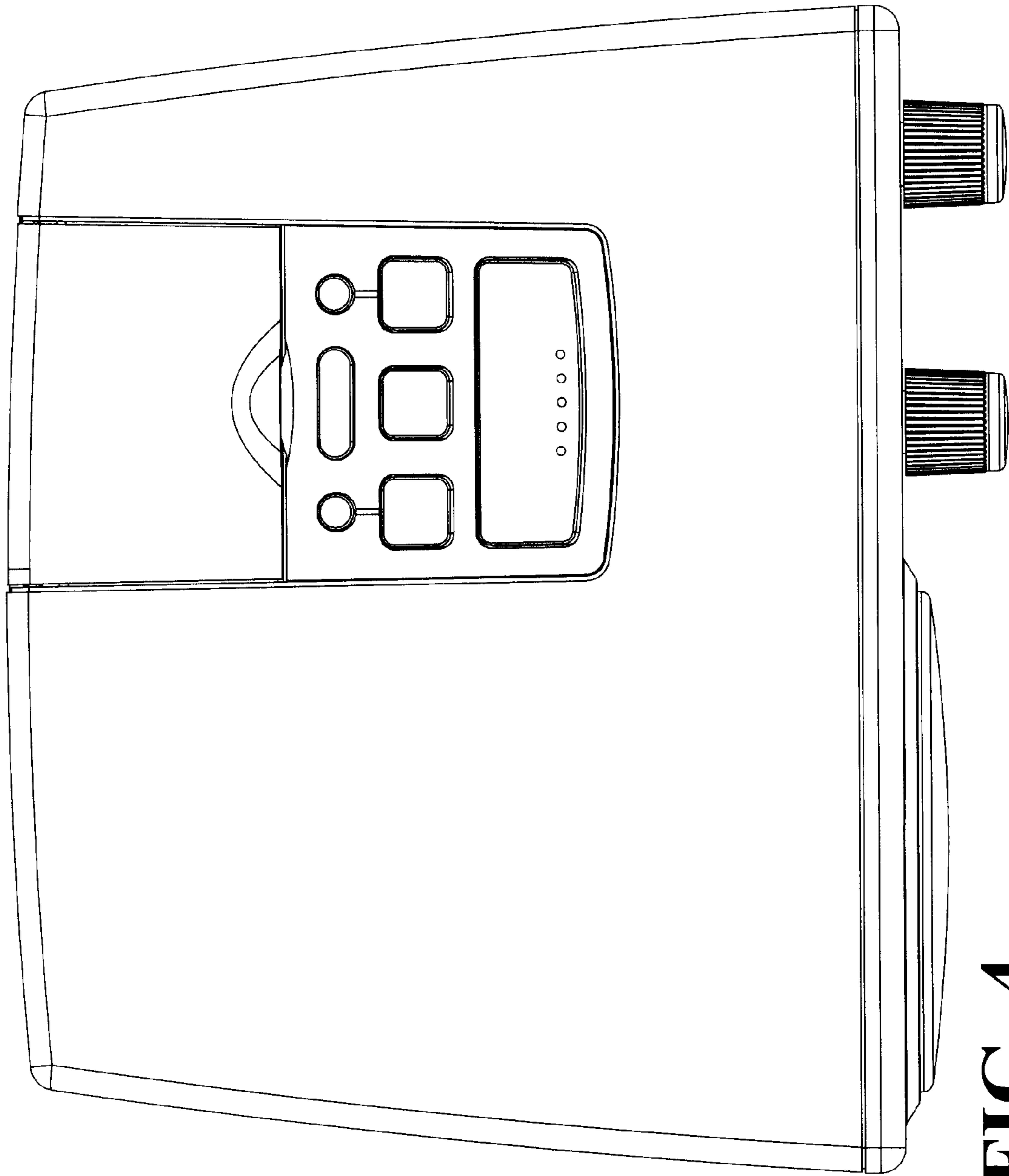


FIG. 4

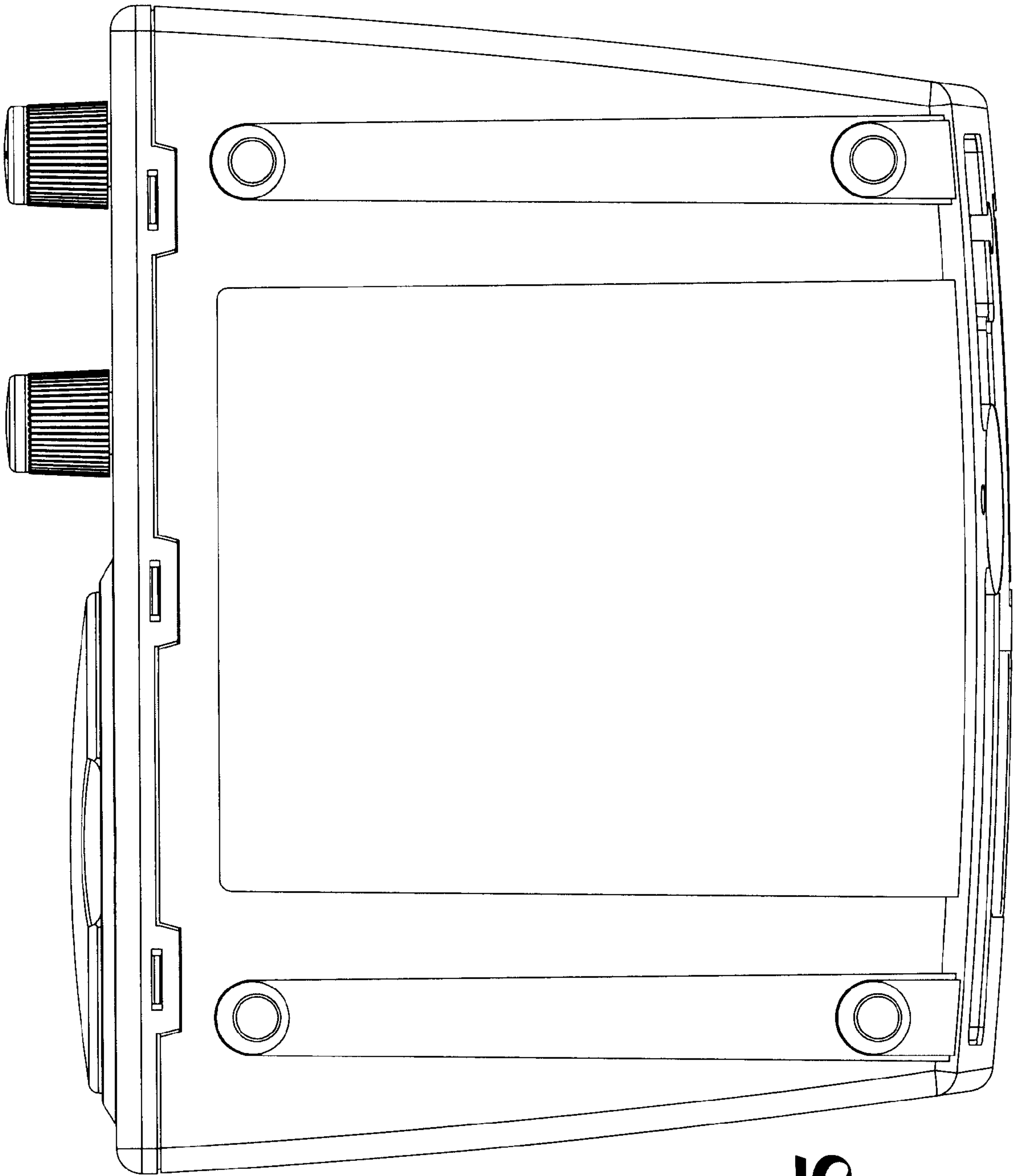


FIG. 5

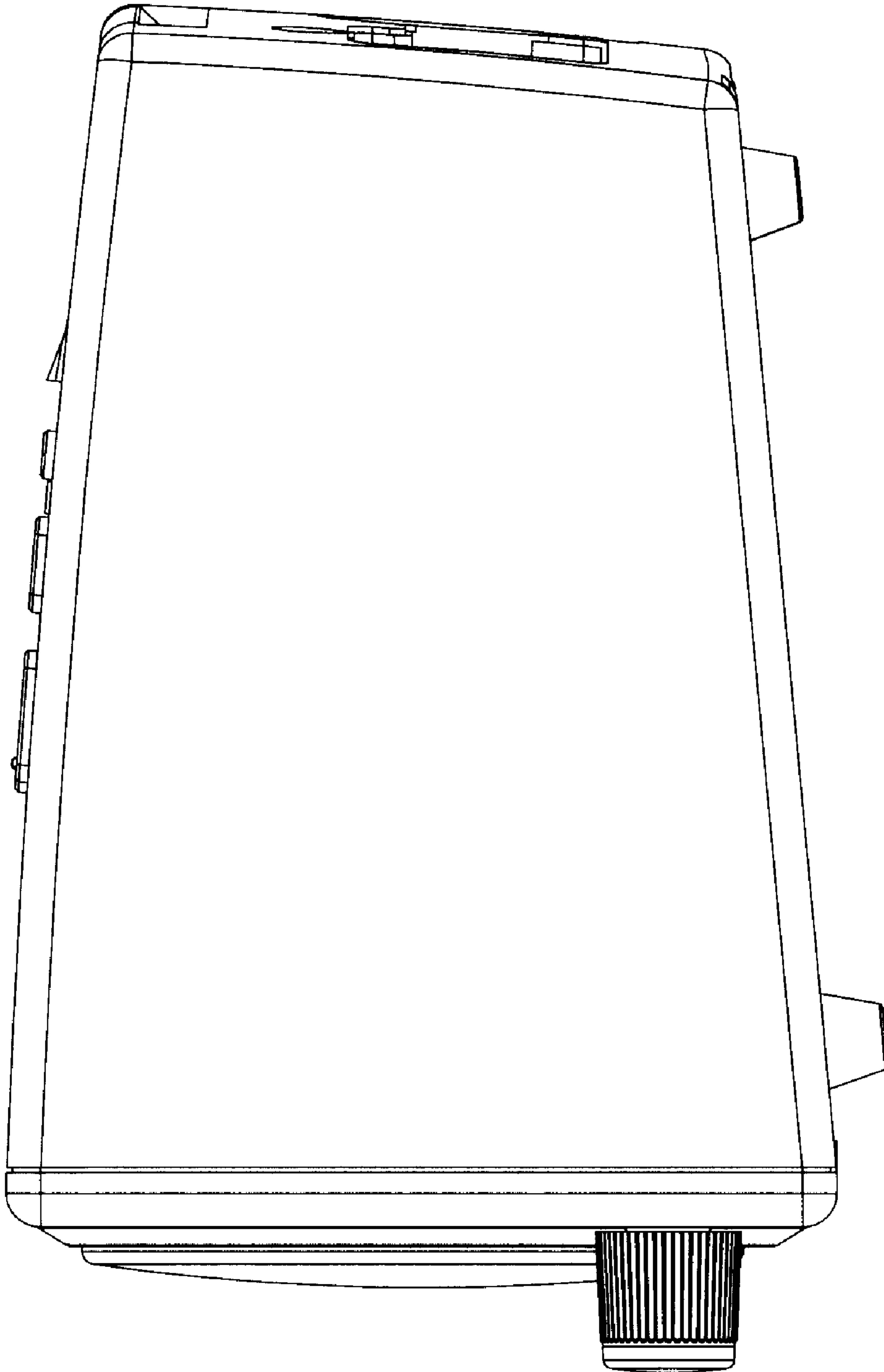


FIG. 6

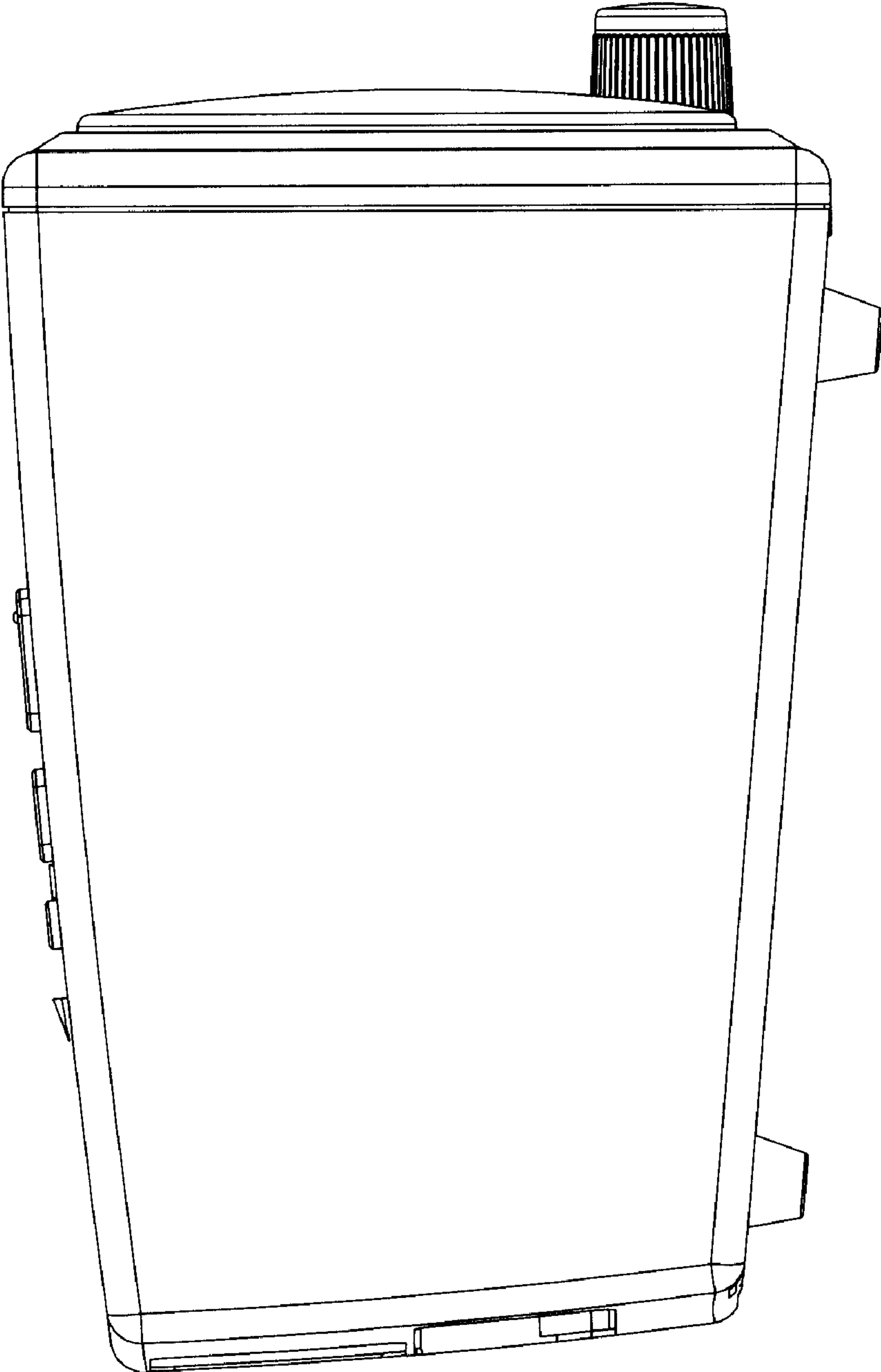


FIG. 7