



US00D529477S

(12) **United States Design Patent**
Hsu

(10) **Patent No.:** **US D529,477 S**
(45) **Date of Patent:** **** Oct. 3, 2006**

(54) **TELEPHONE**

(75) Inventor: **Kao-Yu Hsu**, Taipei (TW)

(73) Assignee: **Inventec Multimedia & Telecom Corporation**, Taipei (TW)

(**) Term: **14 Years**

(21) Appl. No.: **29/238,649**

(22) Filed: **Sep. 20, 2005**

(51) **LOC (8) Cl.** **14-03**

(52) **U.S. Cl.** **D14/151**

(58) **Field of Classification Search** D14/144,
D14/137-138, 140, 142, 147-151, 240, 248;
379/419, 440, 434-436, 454-455

See application file for complete search history.

(56) **References Cited**

U.S. PATENT DOCUMENTS

5,369,700	A	*	11/1994	Koura et al.	379/165
D354,487	S	*	1/1995	Nogas	D14/151
D365,821	S	*	1/1996	Bales et al.	D14/149
D402,977	S	*	12/1998	Lytel	D14/130
D482,342	S	*	11/2003	Weidinger	D14/151
D499,078	S	*	11/2004	Abe et al.	D14/151
D512,705	S	*	12/2005	Bhavnani	D14/151

OTHER PUBLICATIONS

“Cisco Unified IP Phone 7971G-GE”, 1 p including photo, [online], <URL:http://www.cisco.com/application/pdf/en/us/guest/products/ps5946/c1650/cdcont_0900aecd801c5c4a.pdf>, site visited May 14, 2006.*

* cited by examiner

Primary Examiner—Ian Simmons

Assistant Examiner—Carla Jobe Wright

(74) *Attorney, Agent, or Firm*—Rabin & Berdo, P.C.

(57) **CLAIM**

The ornamental design for a telephone, as shown and described.

DESCRIPTION

FIG. 1 is a perspective view of a telephone showing our new design;

FIG. 2 is front view thereof;

FIG. 3 is a rear view thereof;

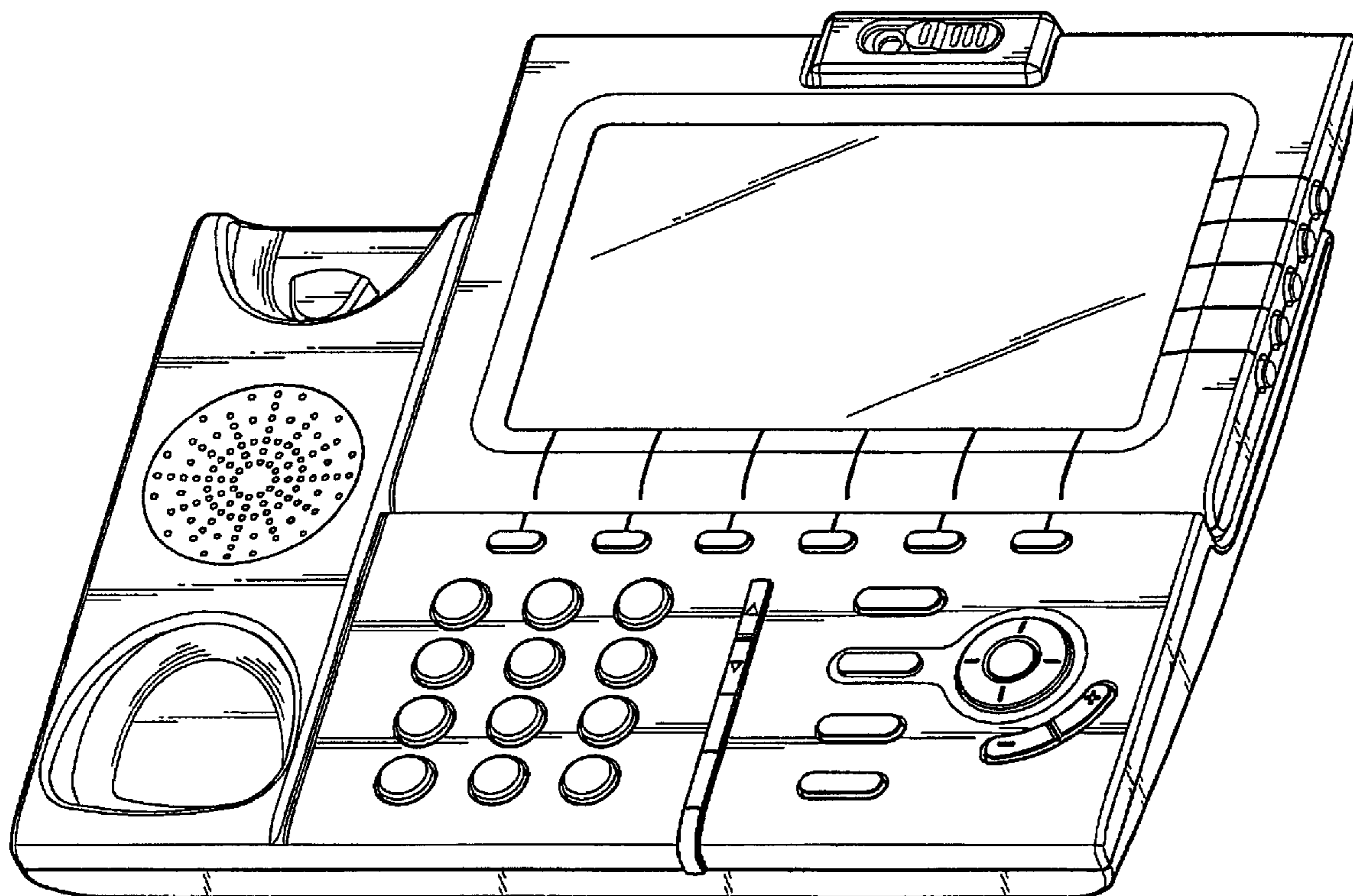
FIG. 4 is a left side elevational view thereof;

FIG. 5 is a right side elevational view thereof;

FIG. 6 is a top view thereof; and,

FIG. 7 is a bottom view thereof.

1 Claim, 5 Drawing Sheets



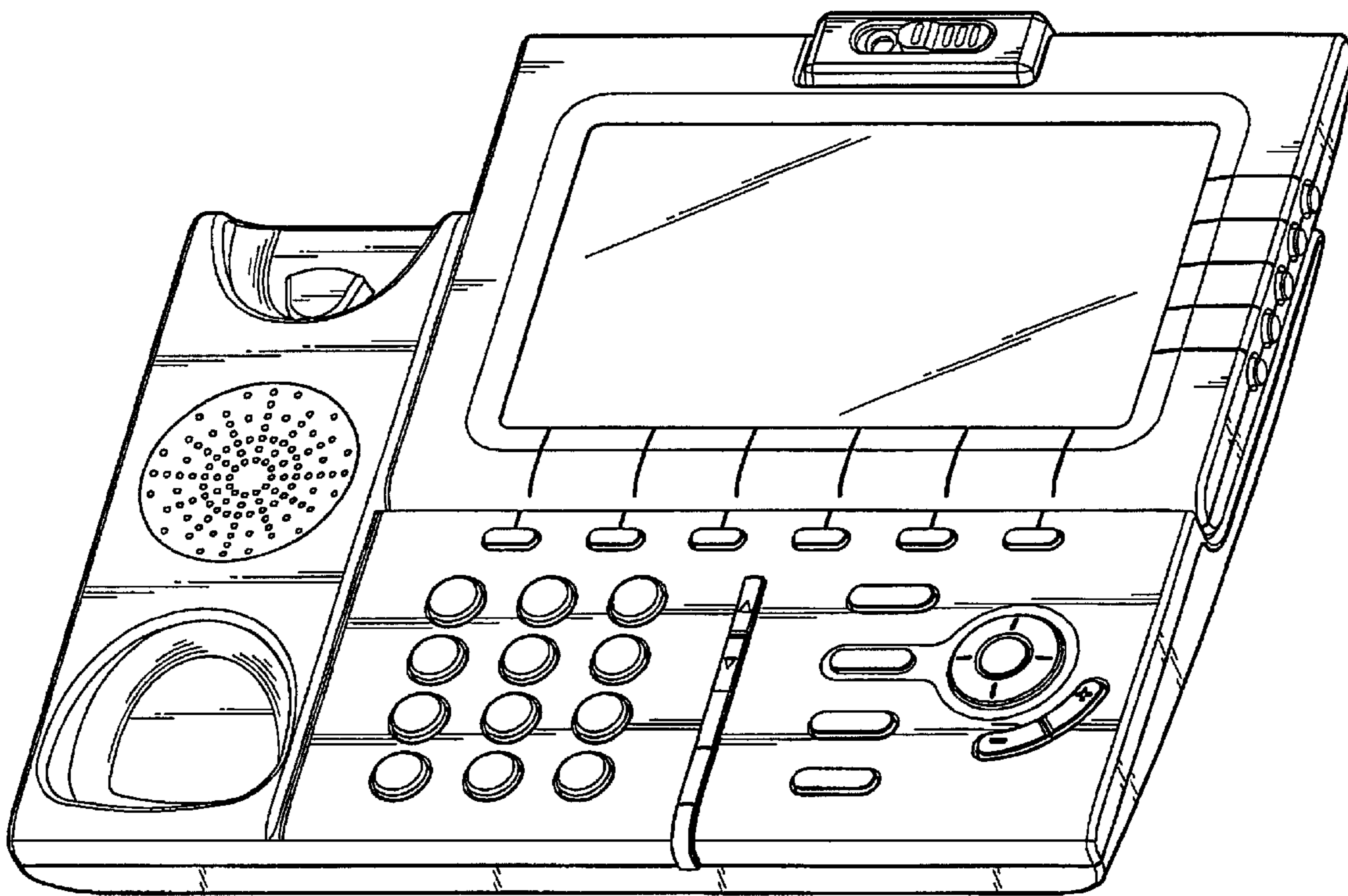


FIG.1

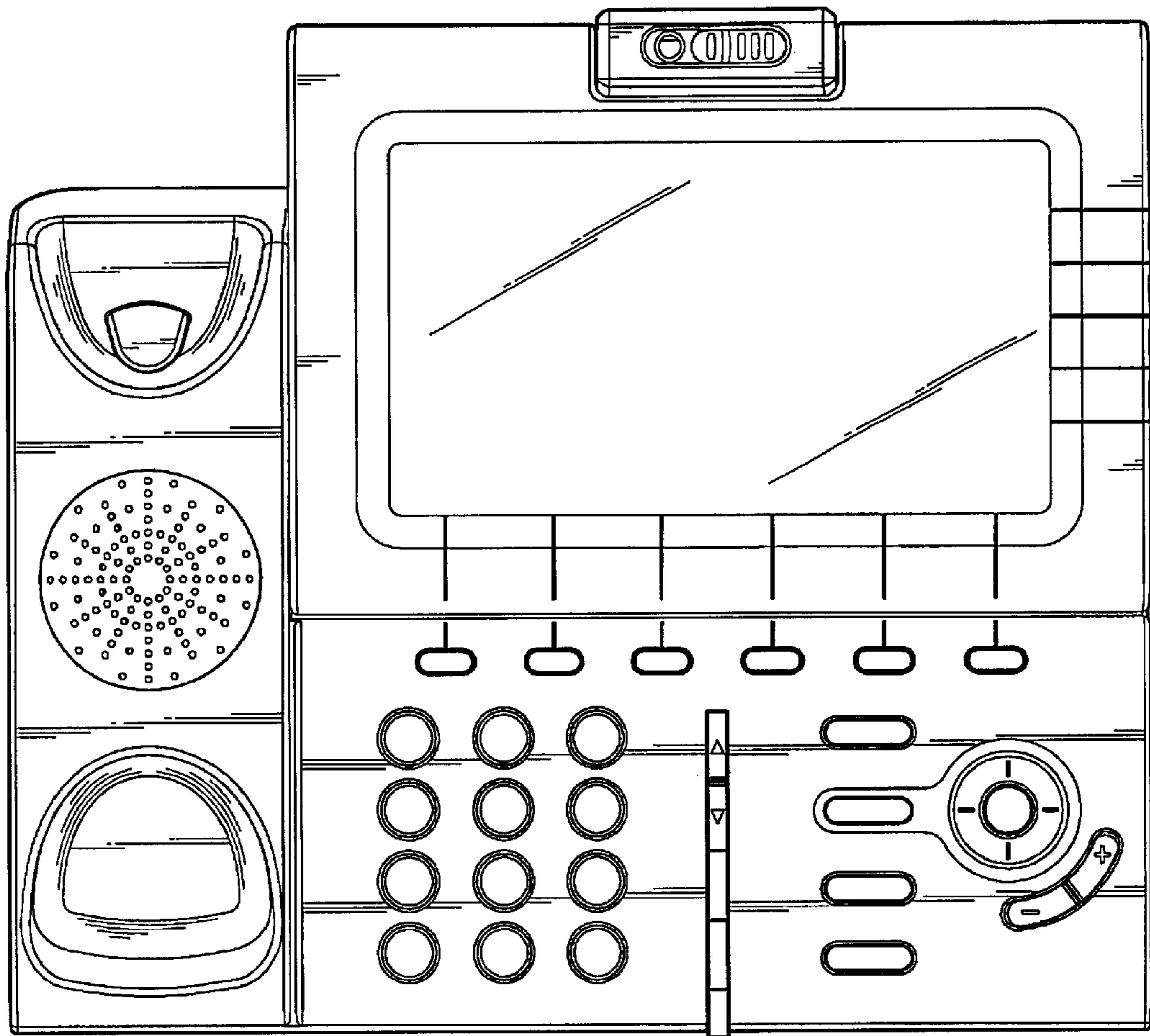


FIG.2

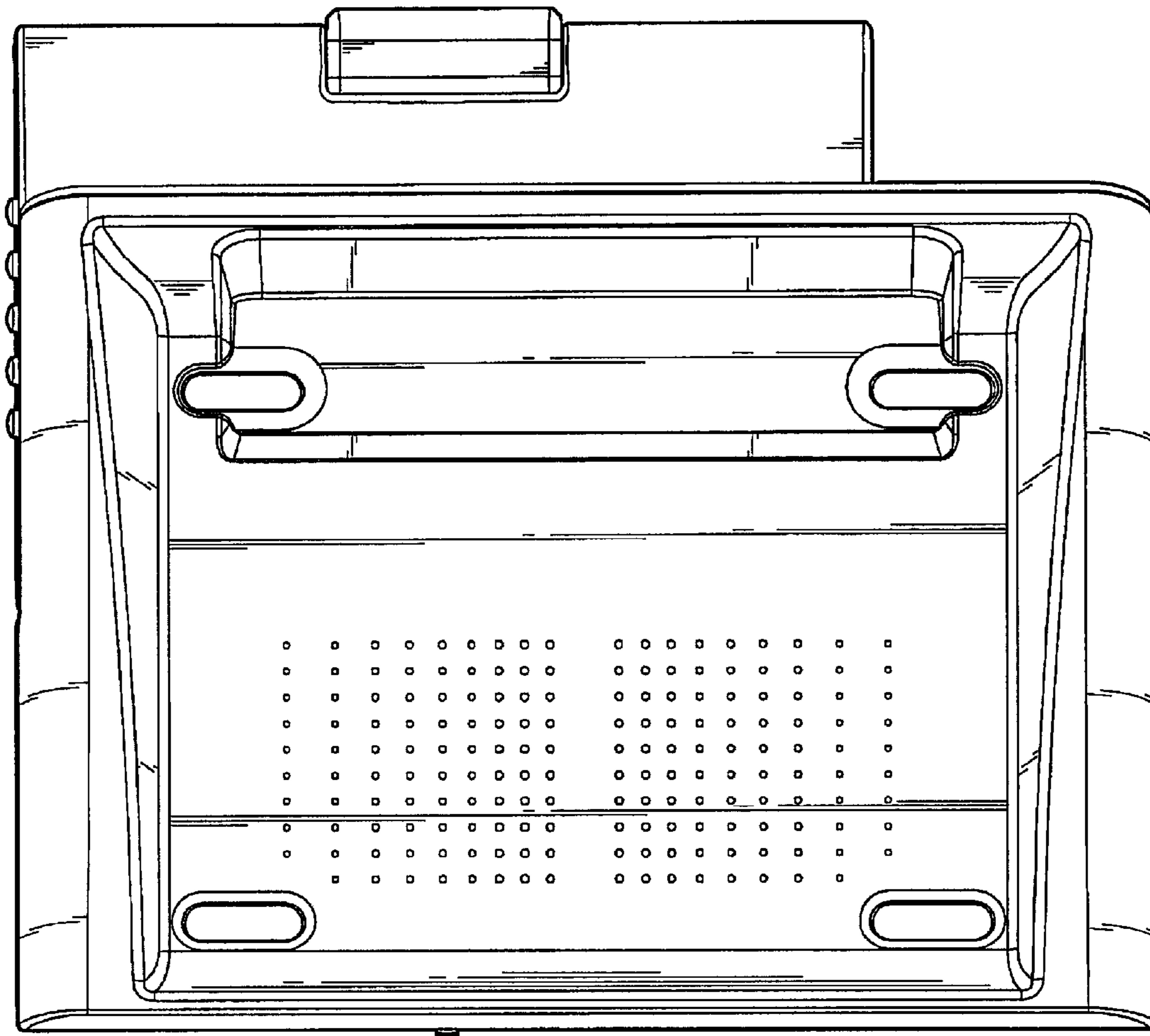


FIG.3

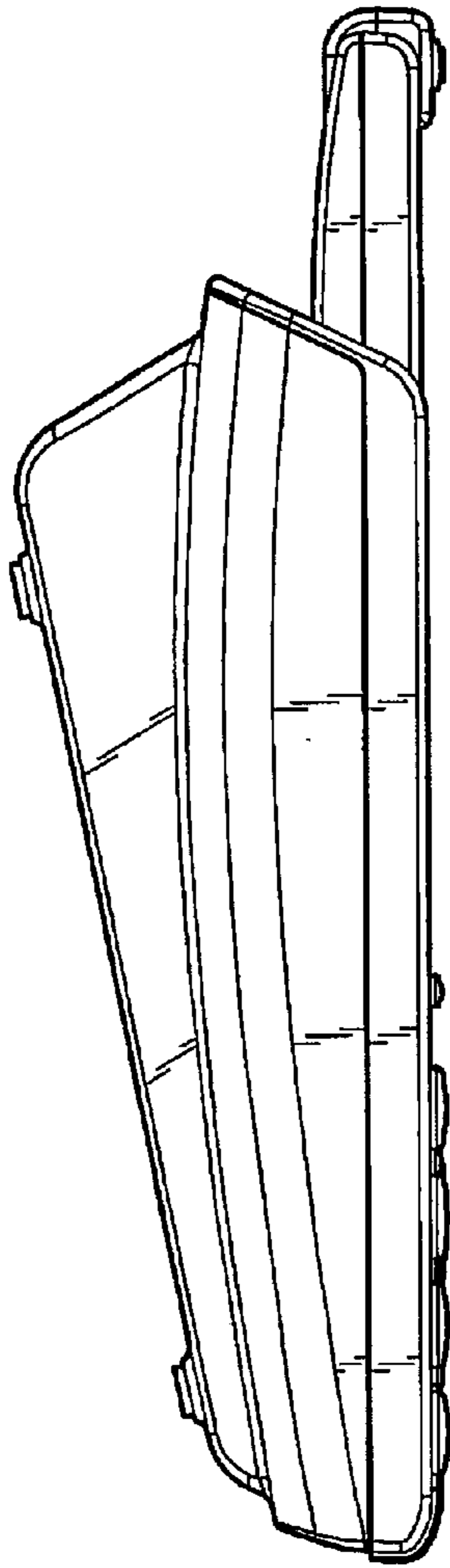


FIG. 4

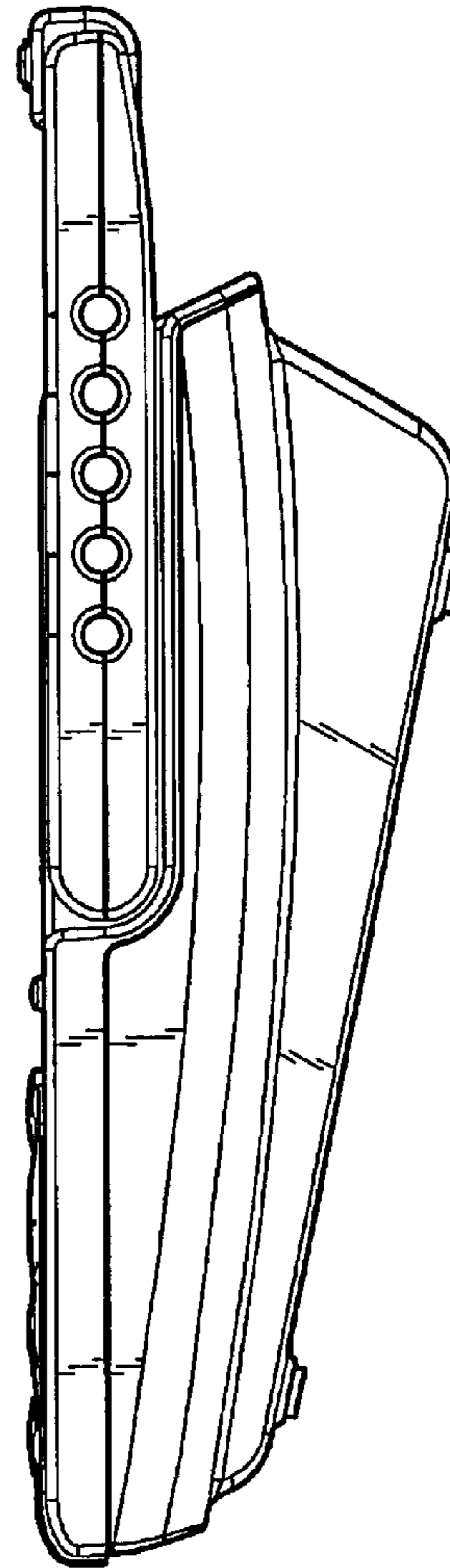


FIG. 5



FIG. 6

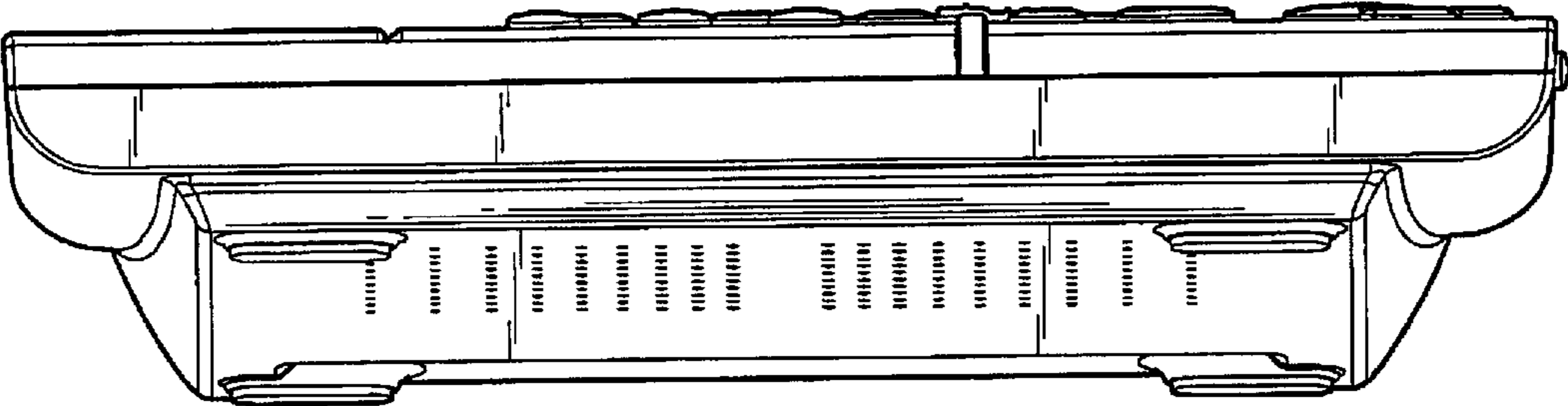


FIG. 7