



US00D529474S

(12) **United States Design Patent**
Park et al.

(10) **Patent No.:** **US D529,474 S**
(45) **Date of Patent:** **** Oct. 3, 2006**

(54) **PORTABLE PHONE**

(75) Inventors: **Bum-Soo Park**, Gwangmyeong-si (KR); **Jong-Seong Lee**, Seoul (KR); **Chang-Hwan Hwang**, Goyang-Si (KR)

(73) Assignee: **Samsung Electronics Co., Ltd.**, Suwon-si (KR)

(**) **Term:** **14 Years**

(21) **Appl. No.:** **29/236,931**

(22) **Filed:** **Aug. 25, 2005**

(30) **Foreign Application Priority Data**

Mar. 3, 2005 (KR) 30-2005-0006918

(51) **LOC (8) Cl.** **14-03**

(52) **U.S. Cl.** **D14/138**

(58) **Field of Classification Search** D14/137, D14/138, 147-148, 247-248, 144, 496, 156, D14/341-347; 379/433.01-433.13; 455/575.4, 455/566, 575.1, 556.1, 556.2, 90.3; D21/329, D21/331, 333; D16/208

See application file for complete search history.

(56) **References Cited**

U.S. PATENT DOCUMENTS

D423,493 S	*	4/2000	Hakoda	D14/138
D456,805 S	*	5/2002	Ono et al.	D14/342
D466,096 S	*	11/2002	Takada	D14/138
D479,215 S	*	9/2003	Yokoyama	D14/138
D481,692 S	*	11/2003	Husgafvel	D14/138
D488,468 S	*	4/2004	Hu	D14/341

(Continued)

OTHER PUBLICATIONS

Samsung i750 telephone, announced first quarter 2005, [online], [retrieved on May 4, 2006]. Retrieved from Internet ,URL:http://www.gsmarena.com>.*

BenQ-Siemens EL71 telephone, announced Feb. 2006, [online], [retrieved on Apr. 28, 2006]. Retrieved from Internet ,URL:http://www.gsmarena.com>.*

Philips 960 telephone, announced Jul. 2005, [online], [retrieved on Mar. 3, 2006]. Retrieved from Internet ,URL:http://www.gsmarena.com>.*

i-mate K-JAM telephone, announced Sep. 2005, [online], [retrieved on Mar. 3, 2006]. Retrieved from Internet ,URL:http://www.gsmarena.com>.*

BenQ-Siemens CL71 telephone, announced Mar. 2006, [online], [retrieved on May 5, 2006]. Retrieved from Internet ,URL:http://www.gsmarena.com>.*

Primary Examiner—Jeffrey Asch

(74) *Attorney, Agent, or Firm*—Staas & Halsey LLP

(57) **CLAIM**

The ornamental design for the portable phone, as shown and described.

DESCRIPTION

FIG. 1 is a perspective view of the portable phone showing our design;

FIG. 2 is a front view thereof;

FIG. 3 is a rear view thereof;

FIG. 4 is a left side view thereof;

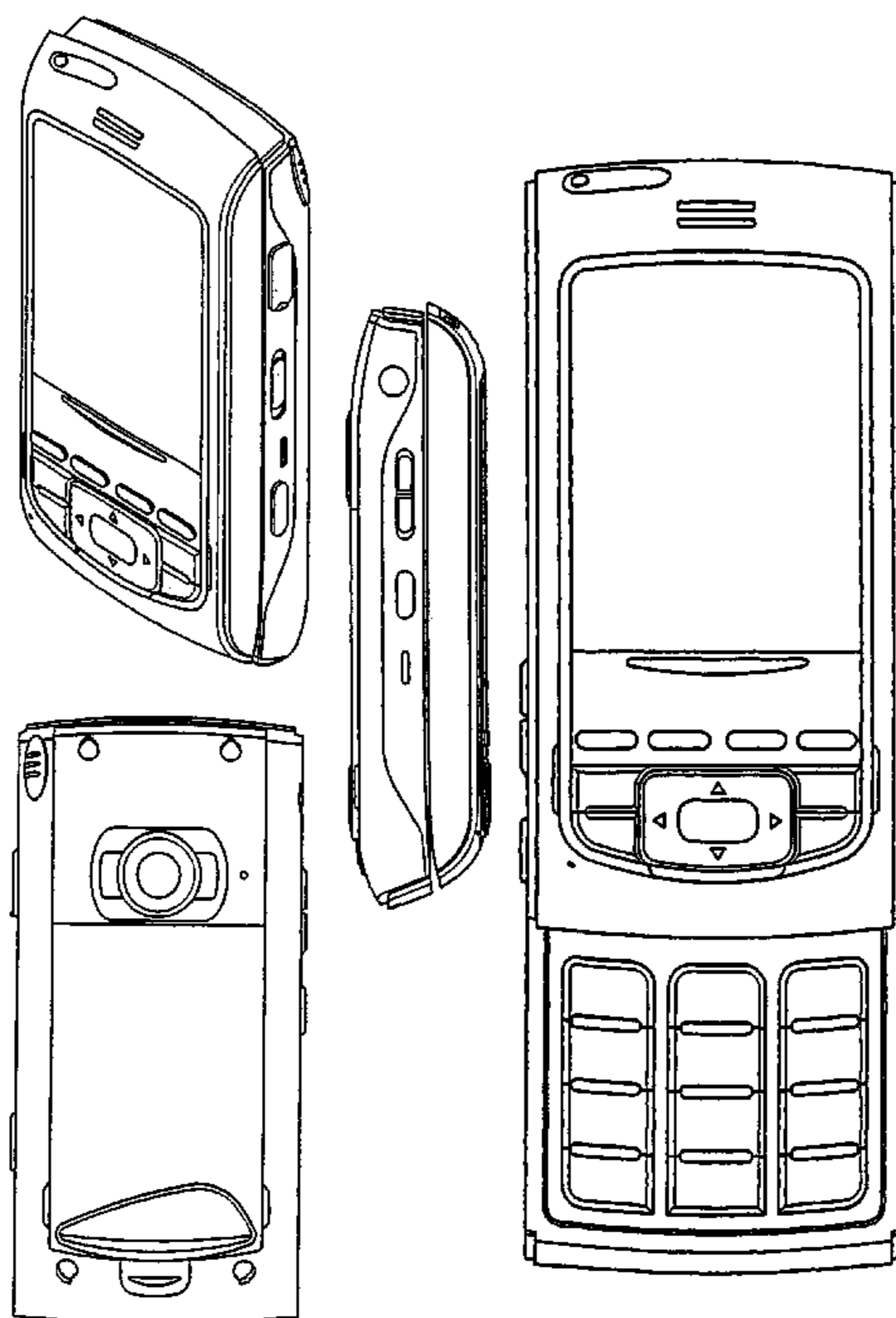
FIG. 5 is a right side view thereof;

FIG. 6 is a top plan view thereof;

FIG. 7 is a bottom plan view thereof; and,

FIG. 8 is an open view thereof.

1 Claim, 5 Drawing Sheets



US D529,474 S

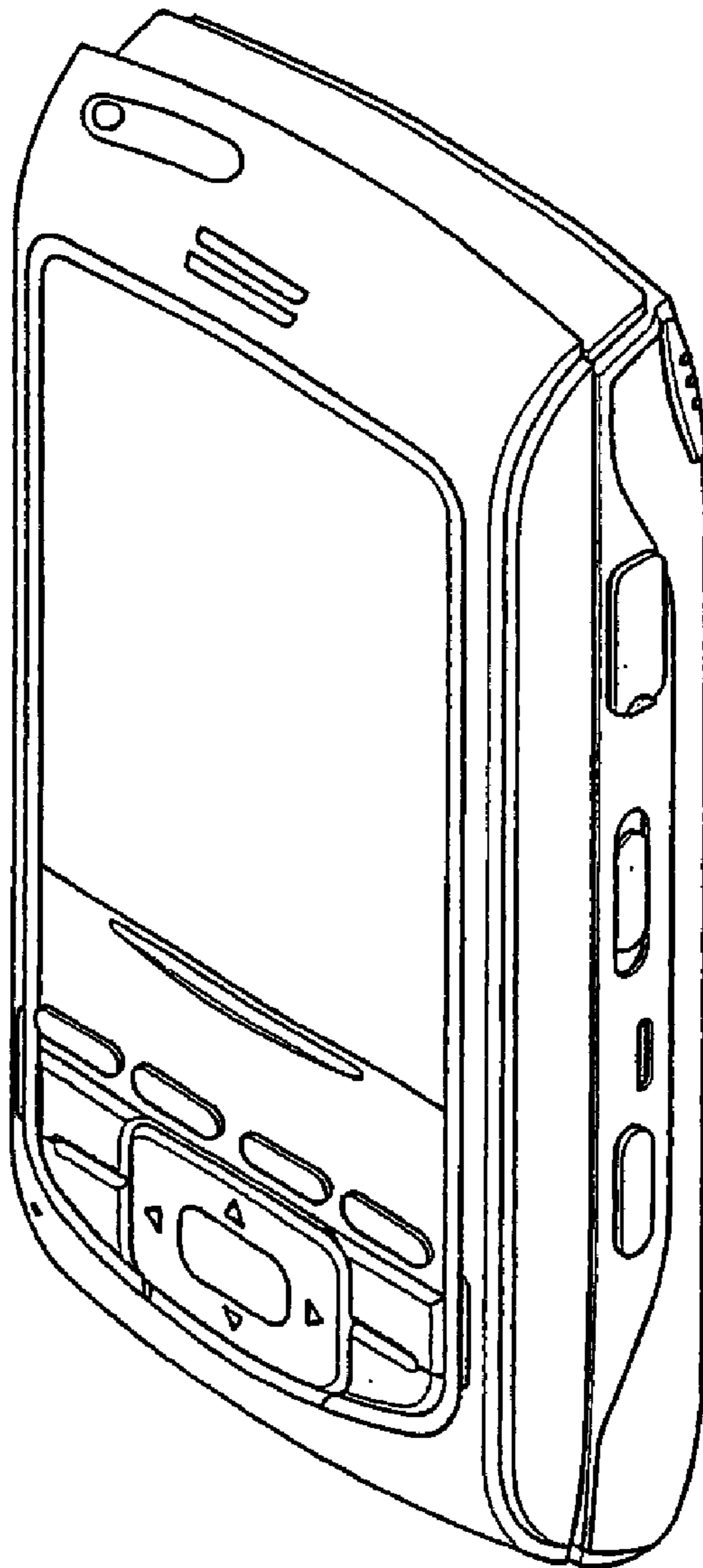
Page 2

U.S. PATENT DOCUMENTS

D495,695 S	*	9/2004	Yugaya	D14/346	D512,702 S	*	12/2005	Lee et al.	D14/138
D496,645 S	*	9/2004	Yoo et al.	D14/138	D517,038 S	*	3/2006	Lee et al.	D14/138
D498,736 S	*	11/2004	Lee	D14/138	2004/0259592 A1	*	12/2004	Taneya et al.	455/556.1
D501,475 S	*	2/2005	Kim	D14/346	2005/0009581 A1	*	1/2005	Im et al.	455/575.4
D503,164 S	*	3/2005	Park et al.	D14/138	2005/0090298 A1	*	4/2005	Park et al.	455/575.4
D503,699 S	*	4/2005	Lee et al.	D14/138	2005/0124381 A1	*	6/2005	Kim et al.	455/556.1
D508,240 S	*	8/2005	Lee et al.	D14/138	2005/0124398 A1	*	6/2005	Lee et al.	455/575.4
D508,473 S	*	8/2005	Lee et al.	D14/138	2005/0190291 A1	*	9/2005	Kota et al.	348/376
D508,688 S	*	8/2005	Lee et al.	D14/138	2005/0250532 A1	*	11/2005	Hwang et al.	455/550.1
D509,202 S	*	9/2005	Lee et al.	D14/138	2005/0255897 A1	*	11/2005	Lee et al.	455/575.4
D509,203 S	*	9/2005	Bertrand et al.	D14/138	2005/0266897 A1	*	12/2005	Ahn et al.	455/575.1

* cited by examiner

FIG. 1



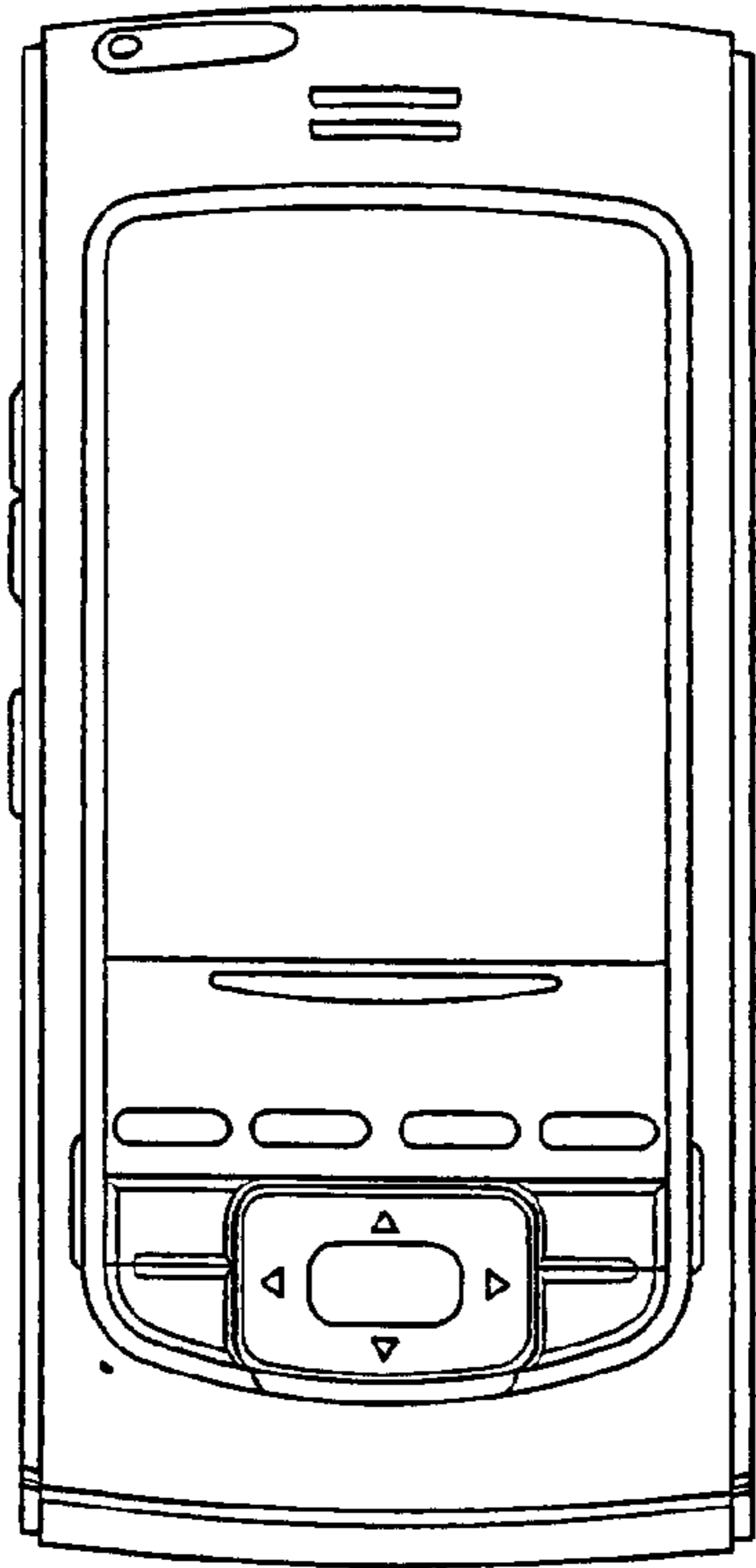


FIG. 2

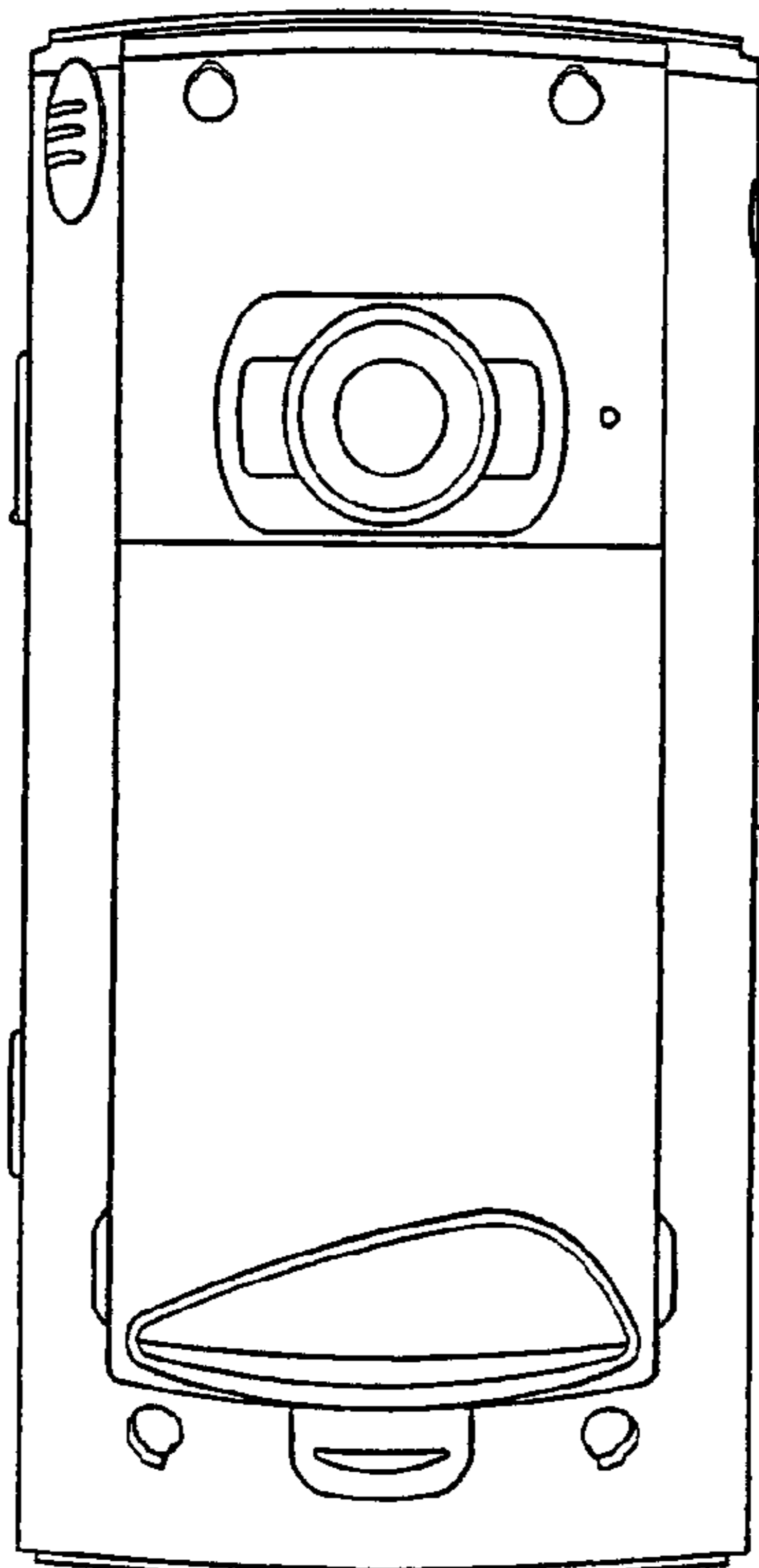


FIG. 3

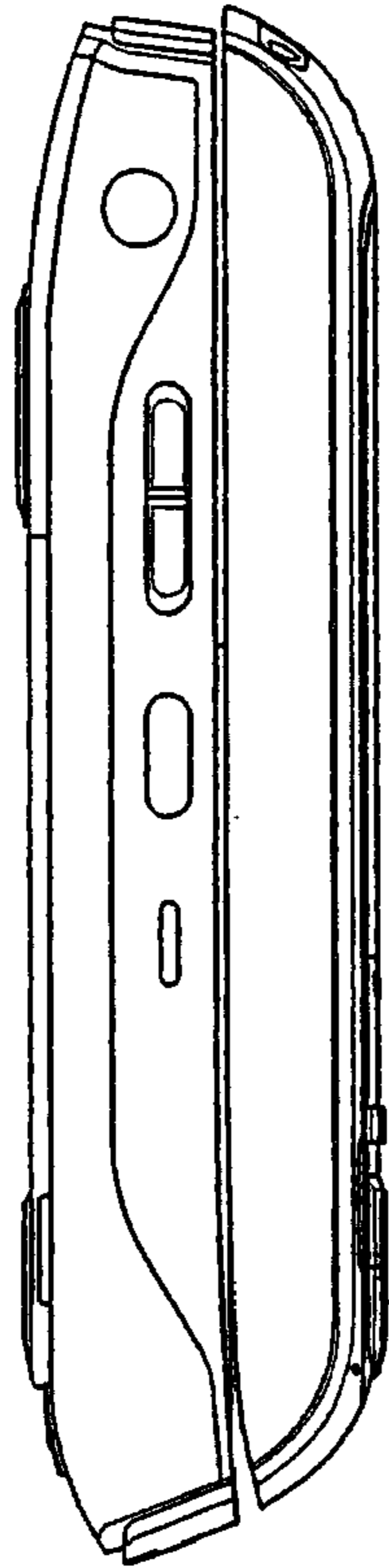


FIG. 4

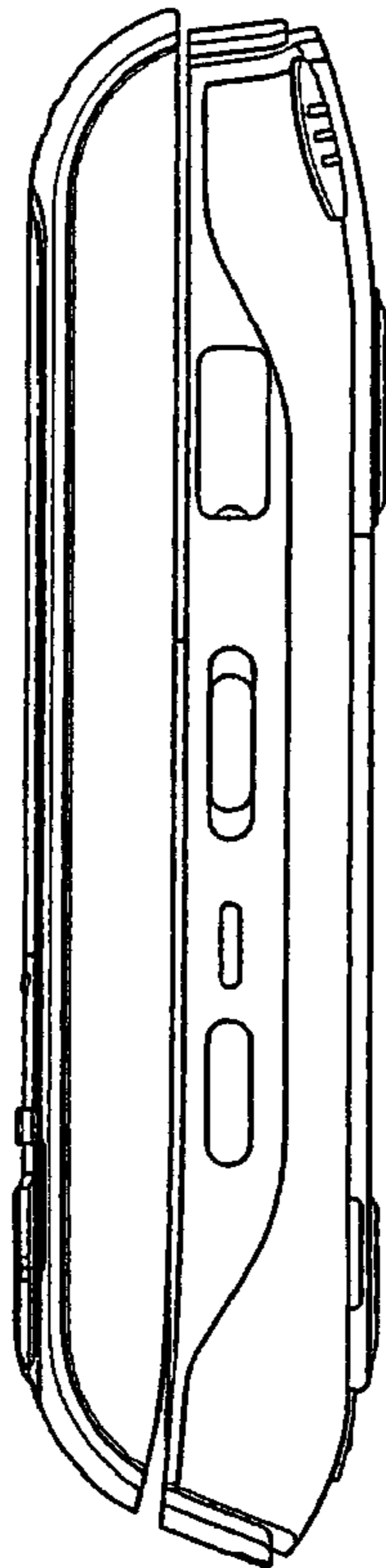


FIG. 5

FIG. 6

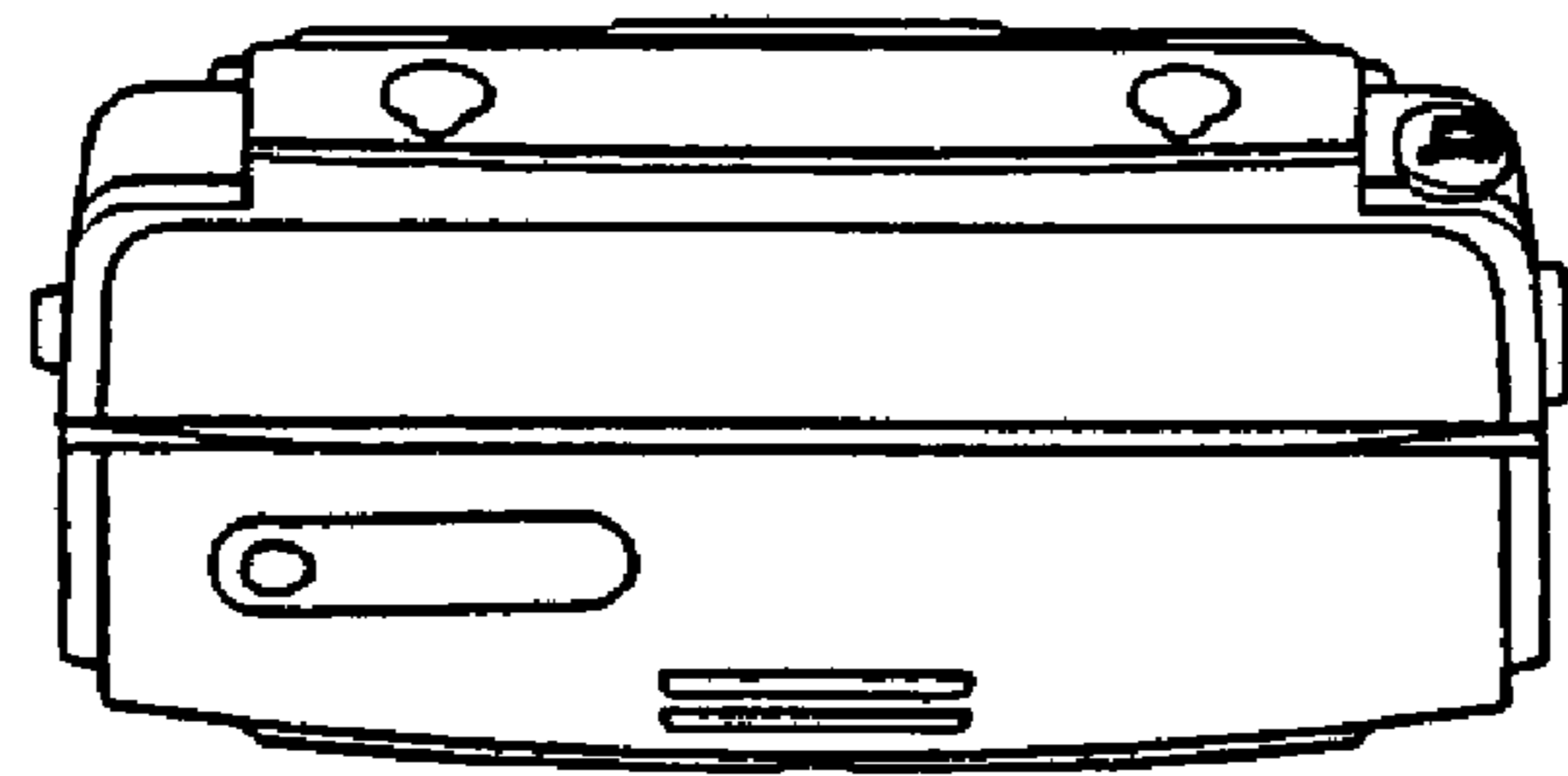


FIG. 7

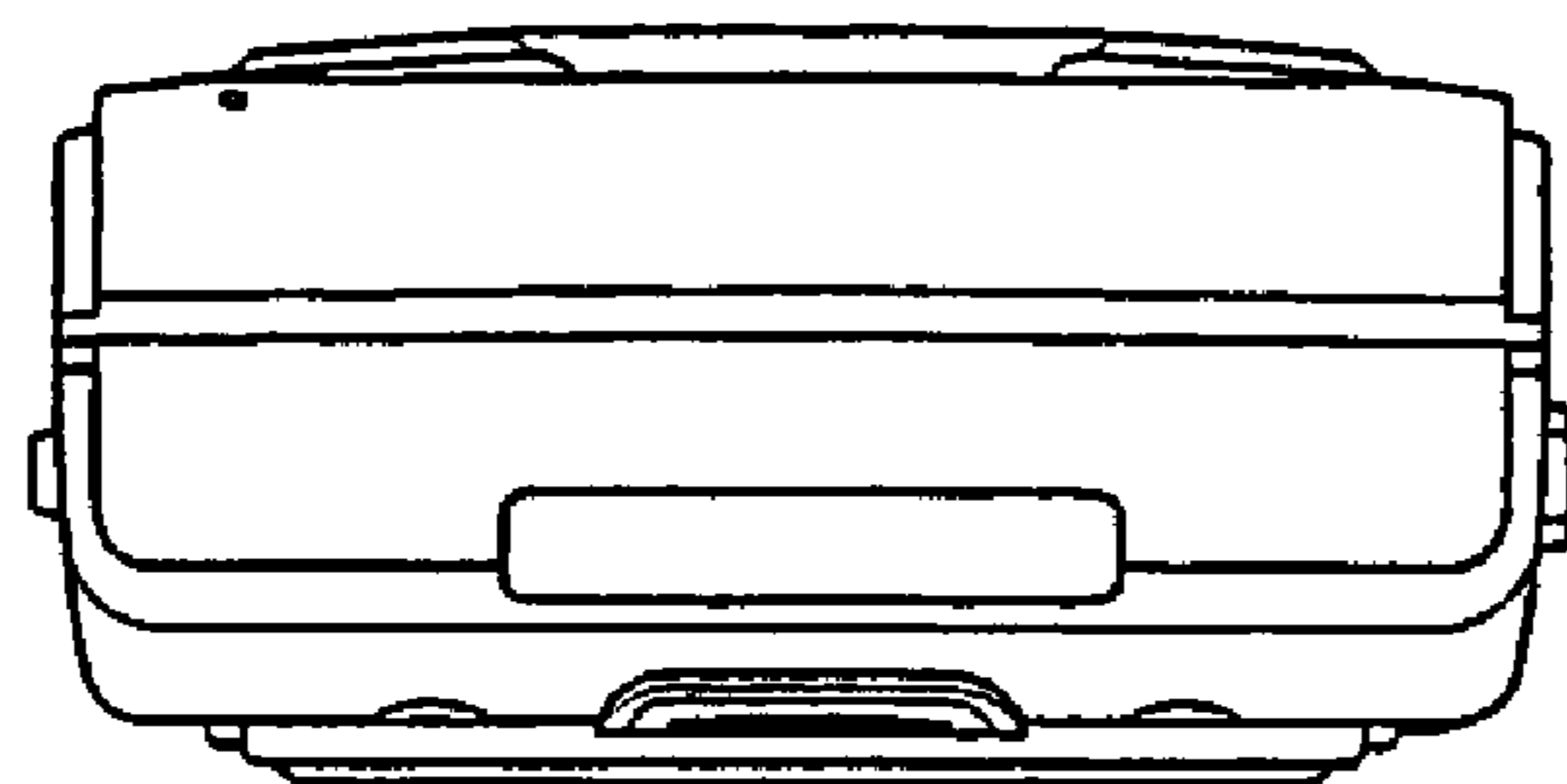


FIG. 8

