



US00D529469S

(12) **United States Design Patent**
Rose et al.

(10) **Patent No.:** **US D529,469 S**

(45) **Date of Patent:** **** Oct. 3, 2006**

(54) **HANDSET**

(75) Inventors: **Scott D. Rose**, Waterloo (CA); **Chris K C Leung**, Waterloo (CA)

(73) Assignee: **Research in Motion Limited**, Ontario (CA)

(**) Term: **14 Years**

(21) Appl. No.: **29/231,095**

(22) Filed: **Jun. 1, 2005**

(51) **LOC (8) Cl.** **14-03**

(52) **U.S. Cl.** **D14/138; D14/147; D14/248**

(58) **Field of Classification Search** D14/137-138, D14/142, 159, 191, 347, 147-150, 205-206, D14/218, 248; 379/428.01, 428.02, 433.01, 379/433.04, 433.07, 434; D21/329, 333, D21/517

See application file for complete search history.

(56) **References Cited**

U.S. PATENT DOCUMENTS

D304,191 S	*	10/1989	Sekine	D14/192
D321,184 S	*	10/1991	Colida	D14/138
D337,588 S	*	7/1993	Cruz et al.	D14/218
D344,525 S	*	2/1994	Gillett et al.	D14/248
D345,355 S	*	3/1994	Konno et al.	D14/138
D345,555 S	*	3/1994	Yokouchi et al.	D14/138
D358,816 S	*	5/1995	Scheid	D14/191
D361,058 S	*	8/1995	Domel et al.	D13/168
D366,048 S	*	1/1996	Tokiyama et al.	D14/258
D381,663 S	*	7/1997	Friis	D14/141.3
D382,545 S	*	8/1997	Imai et al.	D14/343
D386,767 S	*	11/1997	Tokiyama et al.	D14/258
D391,568 S	*	3/1998	Carlson	D14/138
D393,265 S	*	4/1998	Tokiyama et al.	D14/258
D398,605 S	*	9/1998	Murray et al.	D14/137
D424,547 S	*	5/2000	Seachuga	D14/346
D438,854 S	*	3/2001	Badoual	D14/138

D455,742 S	*	4/2002	Kiai	D14/257
D474,164 S	*	5/2003	Buesseler et al.	D14/138
D491,155 S	*	6/2004	Kawakami et al.	D14/138
D491,161 S	*	6/2004	Tang	D14/188
D502,936 S	*	3/2005	Oas	D14/188
D509,199 S	*	9/2005	Haase et al.	D14/137
D512,403 S	*	12/2005	Yang	D14/156
2003/0020694 A1	*	1/2003	Kim et al.	345/169
2003/0125094 A1	*	7/2003	Hyun et al.	455/566

FOREIGN PATENT DOCUMENTS

WO DM/066748 * 2/2005

* cited by examiner

Primary Examiner—Charles A. Rademaker

Assistant Examiner—Carla Jobe Wright

(74) *Attorney, Agent, or Firm*—Brij K. Agarwal; Eckert Seamans Cherin & Mellott, LLC

(57) **CLAIM**

The ornamental design for a handset, as shown and described.

DESCRIPTION

FIG. 1 is a perspective view of a handset depicting our new design;

FIG. 2 is another perspective view thereof;

FIG. 3 is a left side elevational view thereof;

FIG. 4 is a front elevational view thereof;

FIG. 5 is a bottom plan view thereof;

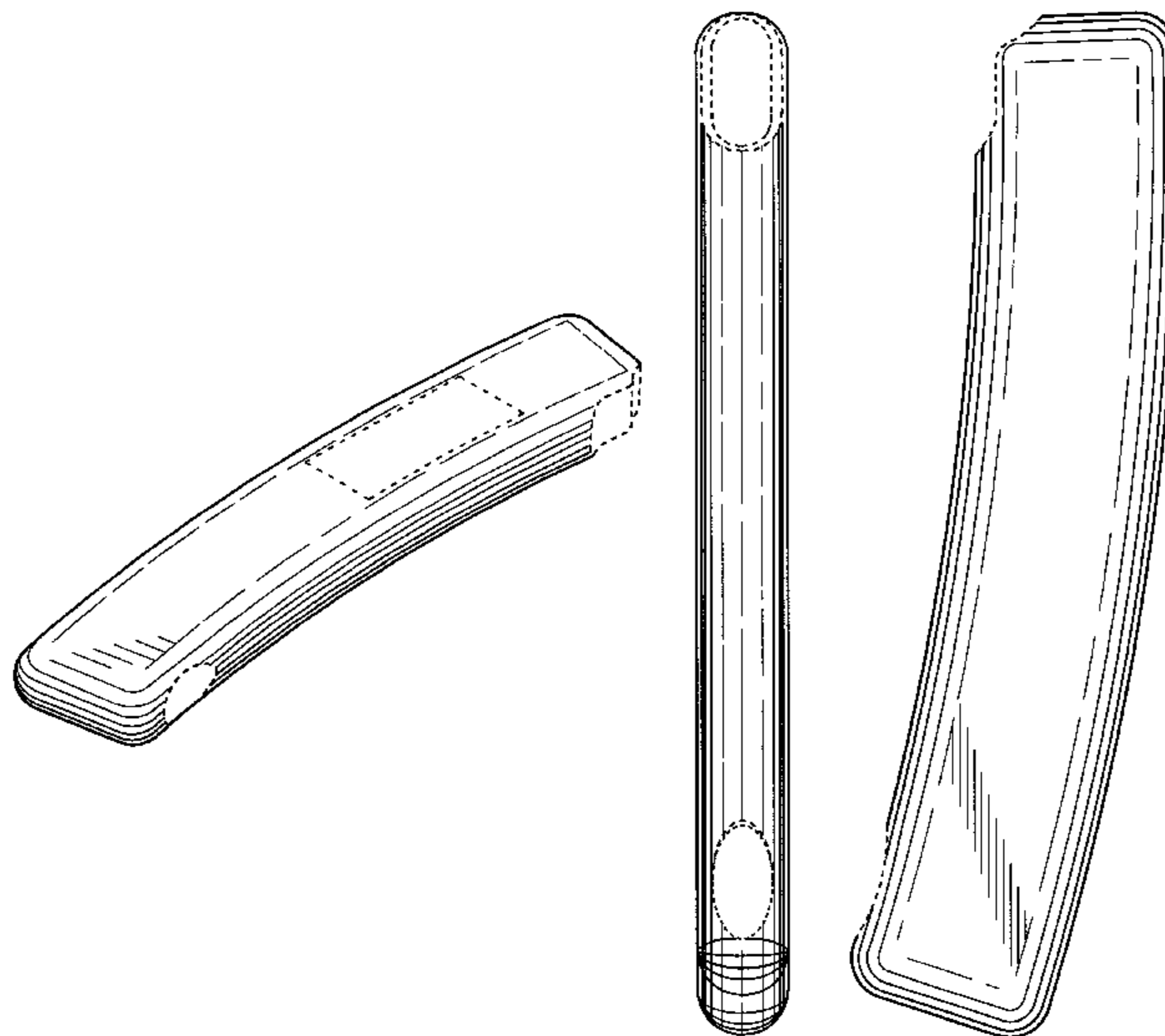
FIG. 6 is a top plan view thereof;

FIG. 7 is a right side elevational view thereof; and,

FIG. 8 is a rear elevational view thereof.

The broken line showings of the rectangular feature on the front of the handset in FIGS. 1 and 4, the elliptical feature at the bottom right side of the handset in FIGS. 1, 4, 7, and 8, and the indented/stepped feature at the top right corner of the handset in FIGS. 1, 2, 4, 6, 7, and 8, are for illustrative purposes only and form no part of the claimed design.

1 Claim, 3 Drawing Sheets



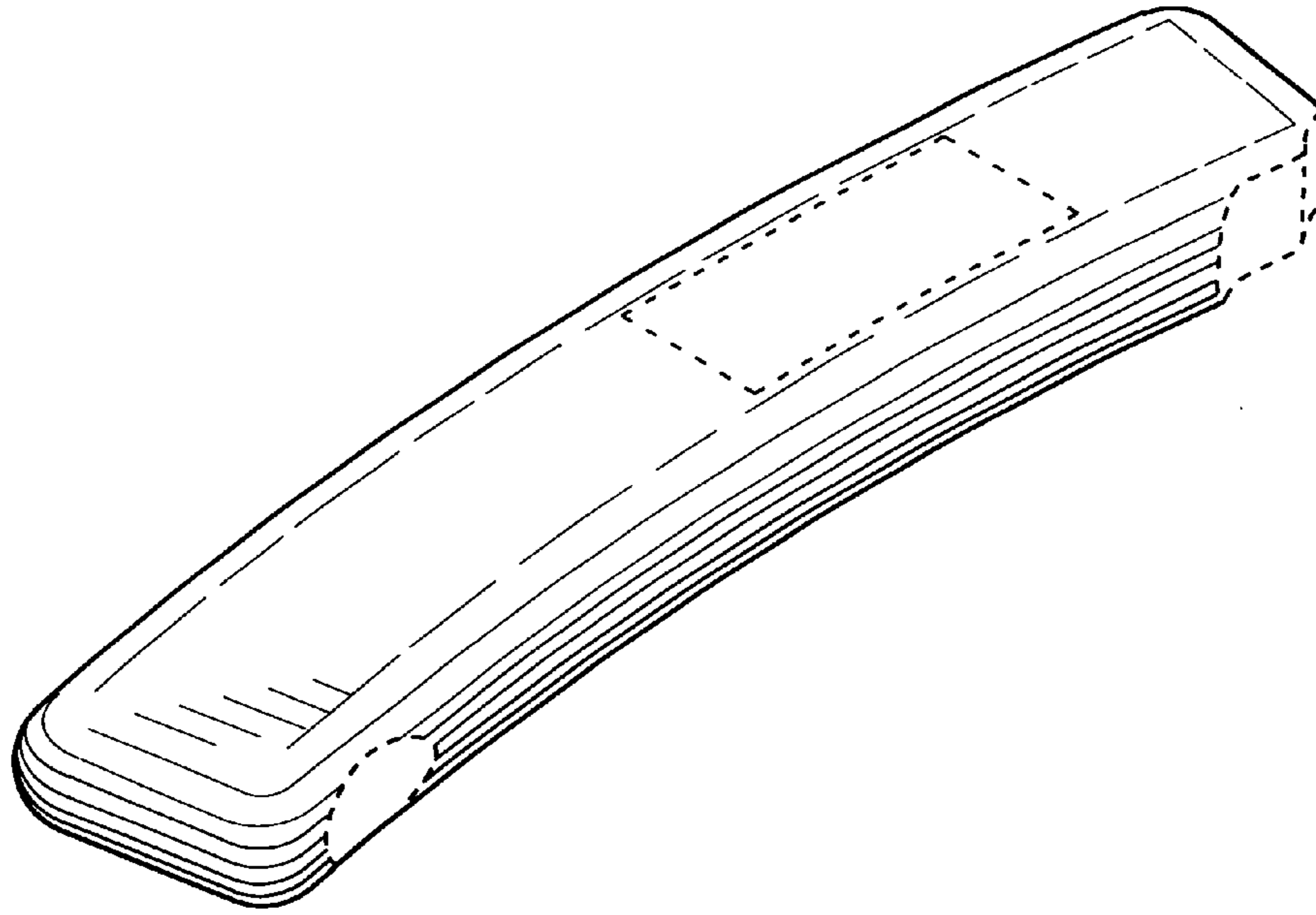


FIG. 1

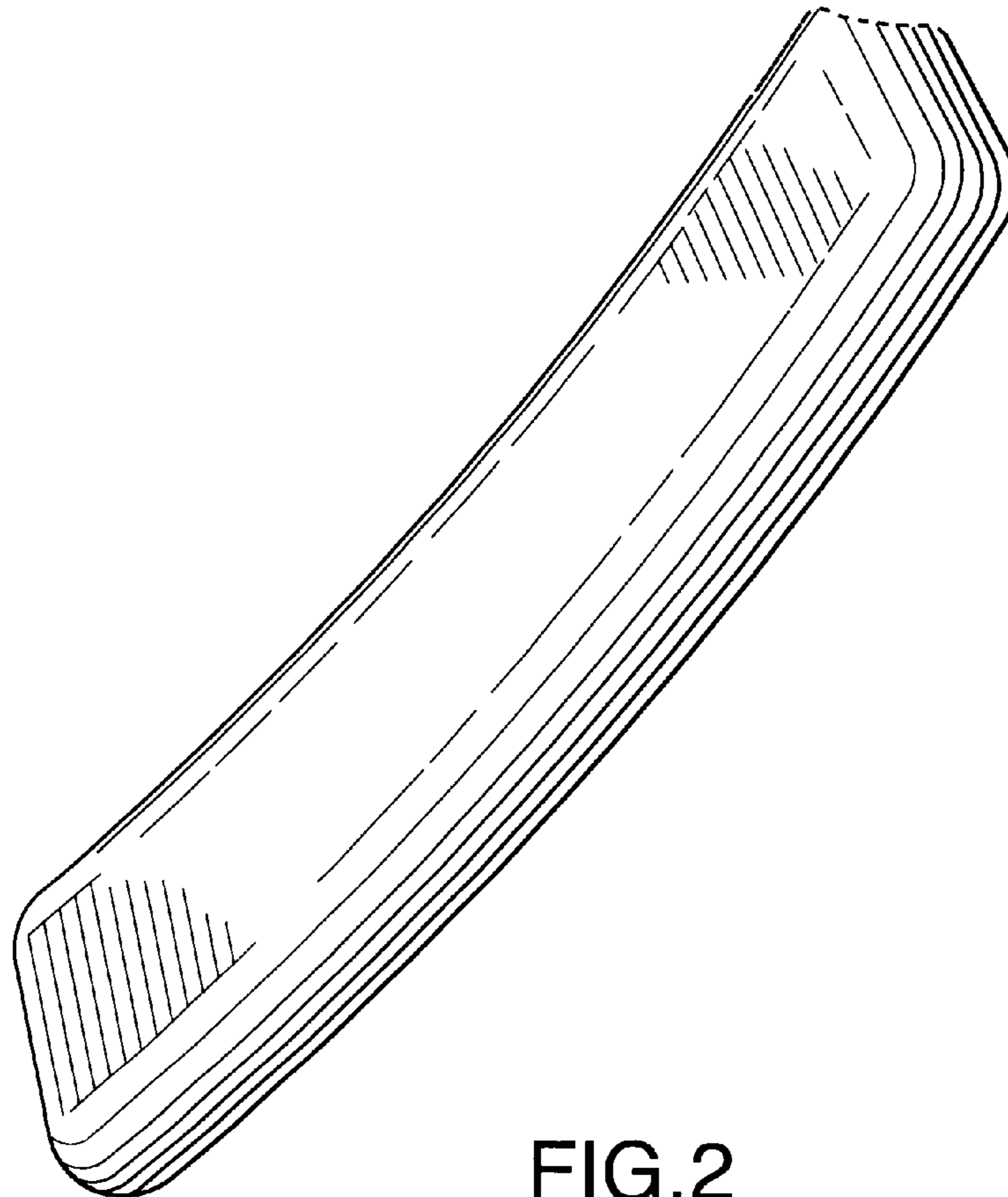


FIG. 2



FIG. 3

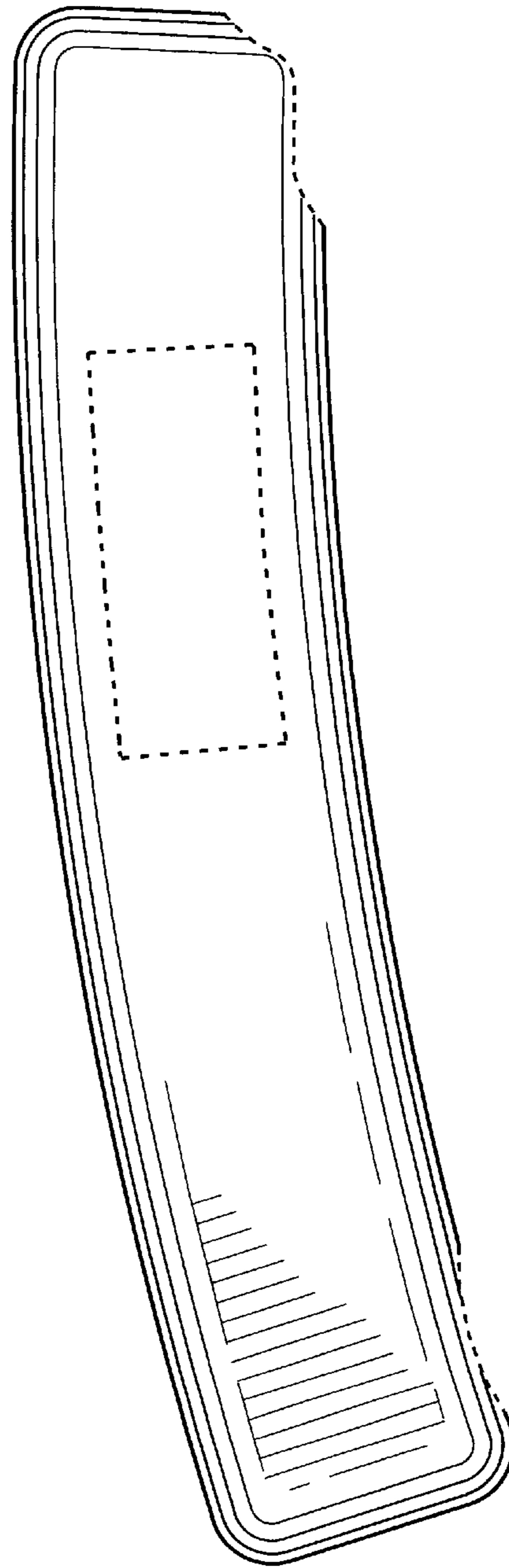


FIG. 4

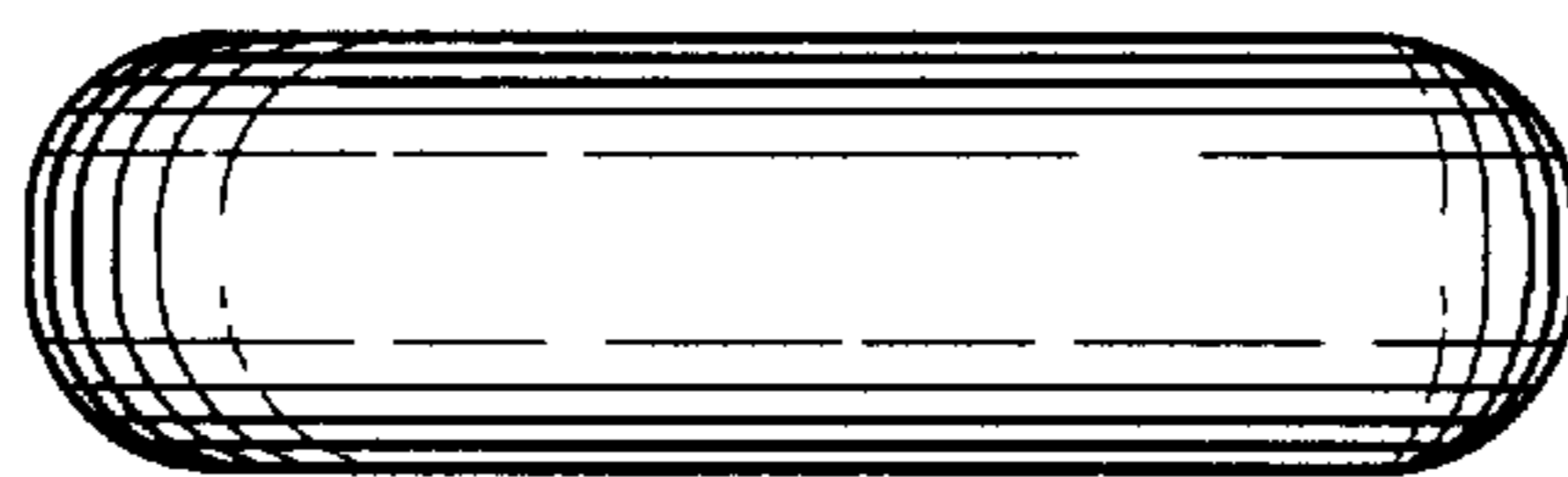


FIG. 5

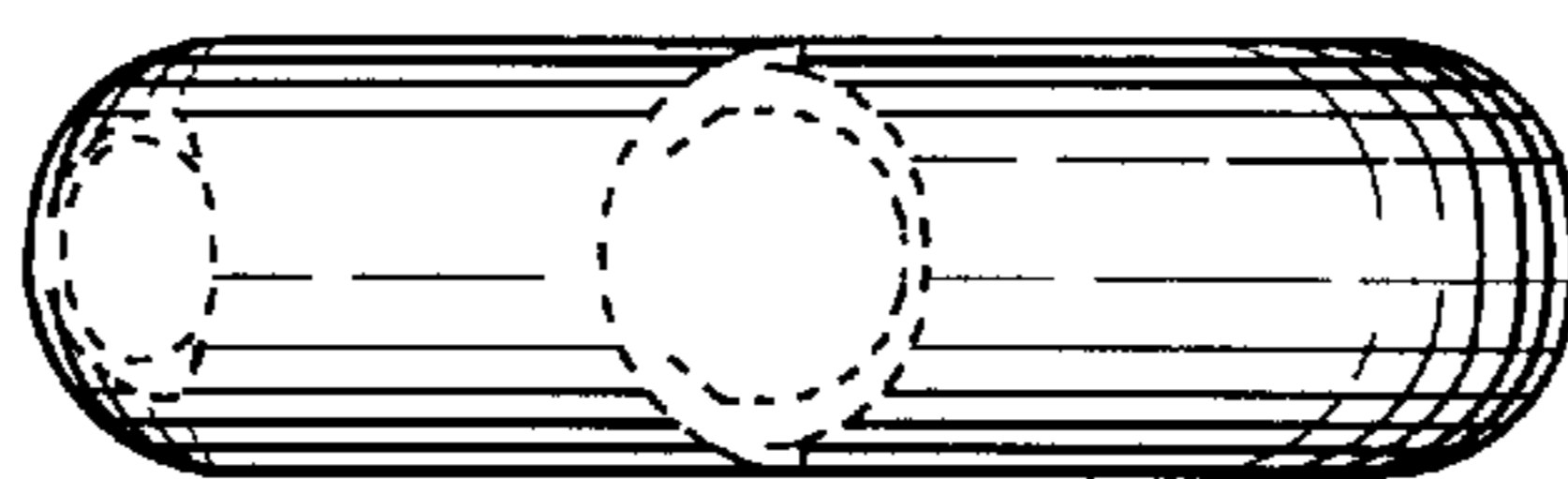


FIG. 6

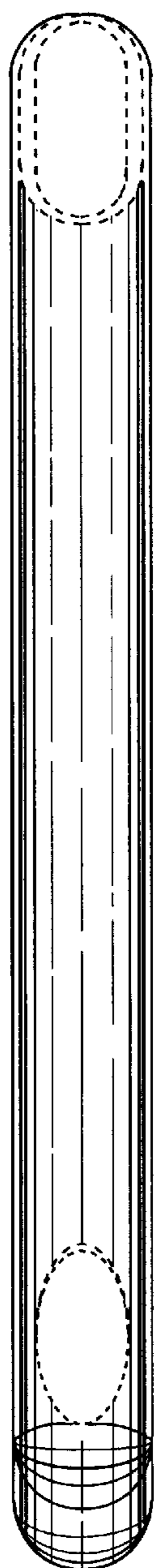


FIG. 7

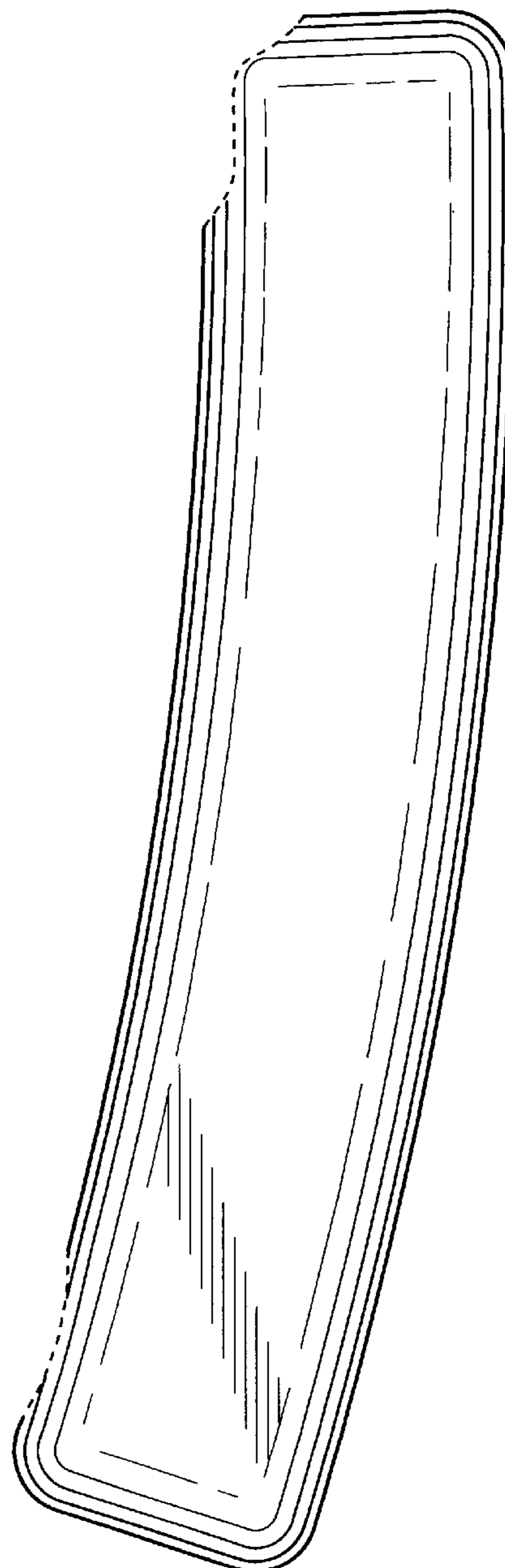


FIG. 8

UNITED STATES PATENT AND TRADEMARK OFFICE
CERTIFICATE OF CORRECTION

PATENT NO. : Des. 529,469 S
APPLICATION NO. : 29/231095
DATED : October 3, 2006
INVENTOR(S) : Scott D. Rose et al.

Page 1 of 1

It is certified that error appears in the above-identified patent and that said Letters Patent is hereby corrected as shown below:

Title page, in the Description, the paragraph after Fig. 8, line 3, the number --6,-- should be inserted after the number "4,"

Signed and Sealed this

Twenty-seventh Day of February, 2007

A handwritten signature in black ink on a light gray dotted background. The signature reads "Jon W. Dudas" in a cursive style.

JON W. DUDAS

Director of the United States Patent and Trademark Office