



US00D529468S

(12) **United States Design Patent**  
**Rose et al.**

(10) **Patent No.:** **US D529,468 S**

(45) **Date of Patent:** **\*\* Oct. 3, 2006**

(54) **HANDSET**

(75) Inventors: **Scott D. Rose**, Waterloo (CA); **Chris K C Leung**, Waterloo (CA)

(73) Assignee: **Research in Motion Limited**, Ontario (CA)

(\*\*) Term: **14 Years**

(21) Appl. No.: **29/231,091**

(22) Filed: **Jun. 1, 2005**

(51) **LOC (8) Cl.** ..... **14-03**

(52) **U.S. Cl.** ..... **D14/138; D14/147; D14/248**

(58) **Field of Classification Search** ..... D14/137-138,  
D14/142, 159, 191, 347, 147-150, 205-206,  
D14/218, 248; 379/428.01, 428.02, 433.01,  
379/433.04, 433.07, 434; D21/329, 333,  
D21/517

See application file for complete search history.

(56) **References Cited**

**U.S. PATENT DOCUMENTS**

D304,191 S	*	10/1989	Sekine	.....	D14/192
D321,184 S	*	10/1991	Colida	.....	D14/138
D337,588 S	*	7/1993	Cruz et al.	.....	D14/218
D344,525 S	*	2/1994	Gillett et al.	.....	D14/248
D345,355 S	*	3/1994	Konno et al.	.....	D14/138
D345,555 S	*	3/1994	Yokouchi et al.	.....	D14/138
D358,816 S	*	5/1995	Scheid	.....	D14/191
D361,058 S	*	8/1995	Domel et al.	.....	D13/168
D366,048 S	*	1/1996	Tokiyama et al.	.....	D14/258
D381,663 S	*	7/1997	Friis	.....	D14/141.3
D382,545 S	*	8/1997	Imai et al.	.....	D14/343
D386,767 S	*	11/1997	Tokiyama et al.	.....	D14/258
D391,568 S	*	3/1998	Carlson	.....	D14/138
D393,265 S	*	4/1998	Tokiyama et al.	.....	D14/258
D398,605 S	*	9/1998	Murray et al.	.....	D14/137
D424,547 S	*	5/2000	Seachuga	.....	D14/346

D438,854 S	*	3/2001	Badoual	.....	D14/138
D455,742 S	*	4/2002	Kiai	.....	D14/257
D474,164 S	*	5/2003	Buesseler et al.	.....	D14/138
D491,155 S	*	6/2004	Kawakami et al.	.....	D14/138
D491,161 S	*	6/2004	Tang	.....	D14/188
D502,936 S	*	3/2005	Oas	.....	D14/188
D509,199 S	*	9/2005	Haase et al.	.....	D14/137
D512,403 S	*	12/2005	Yang	.....	D14/156
2003/0020694 A1	*	1/2003	Kim et al.	.....	345/169
2003/0125094 A1	*	7/2003	Hyun et al.	.....	455/566

**FOREIGN PATENT DOCUMENTS**

WO DM/066748 \* 2/2005

\* cited by examiner

*Primary Examiner*—Charles A. Rademaker

*Assistant Examiner*—Carla Jobe Wright

(74) *Attorney, Agent, or Firm*—Brij K. Agarwal; Eckert Seamans Cherin & Mellott, LLC

(57) **CLAIM**

The ornamental design for a handset, as shown and described.

**DESCRIPTION**

FIG. 1 is a perspective view of a handset depicting our new design;

FIG. 2 is another perspective view thereof;

FIG. 3 is a left side elevational view thereof;

FIG. 4 is a front elevational view thereof;

FIG. 5 is a bottom plan view thereof;

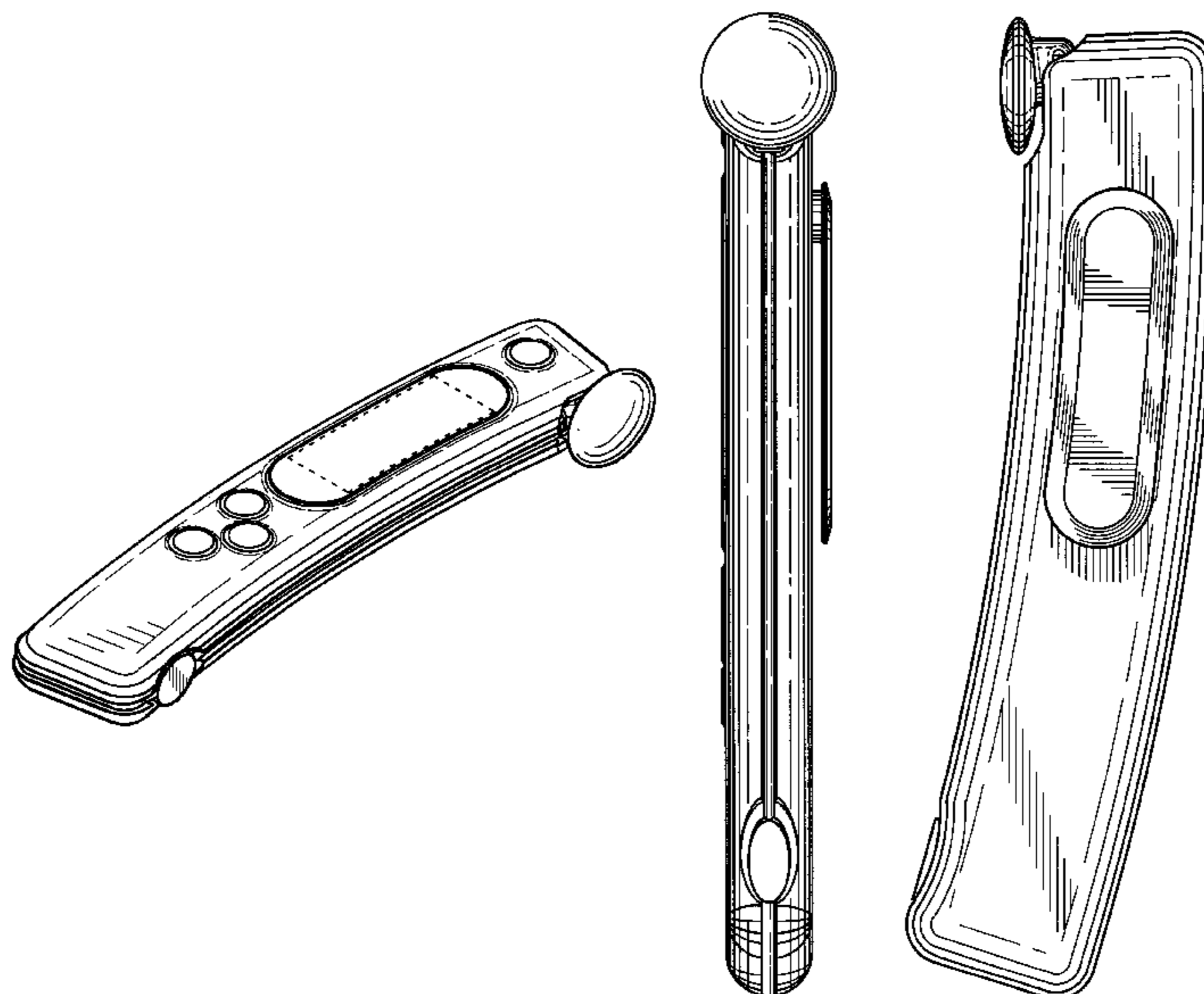
FIG. 6 is a top plan view thereof;

FIG. 7 is a right side elevational view thereof; and,

FIG. 8 is a rear elevational view thereof.

The broken line showing of the rectangular feature on the front of the handset in FIGS. 1 and 4 is for illustrative purposes only and forms no part of the claimed design.

**1 Claim, 3 Drawing Sheets**



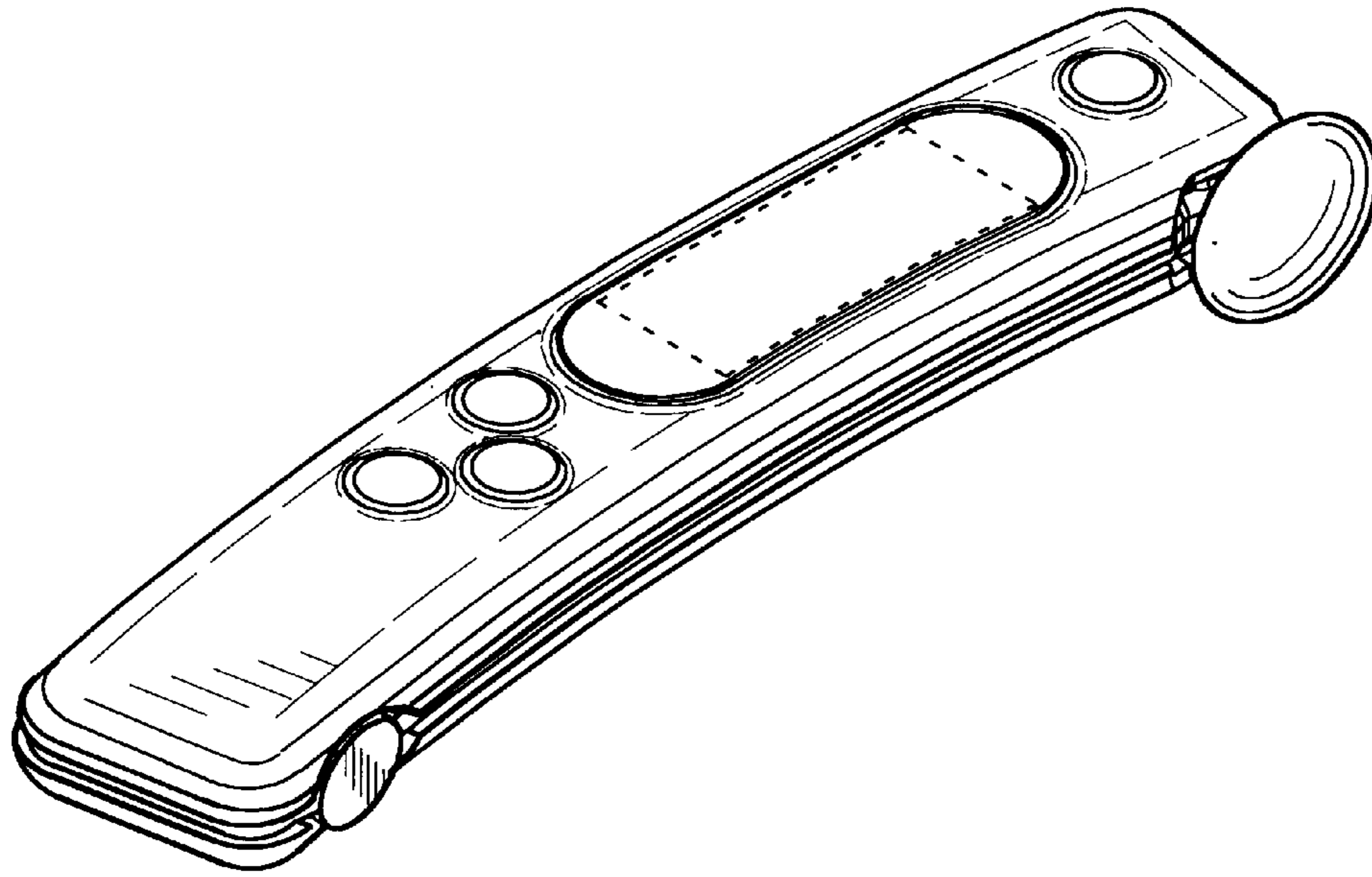


FIG. 1

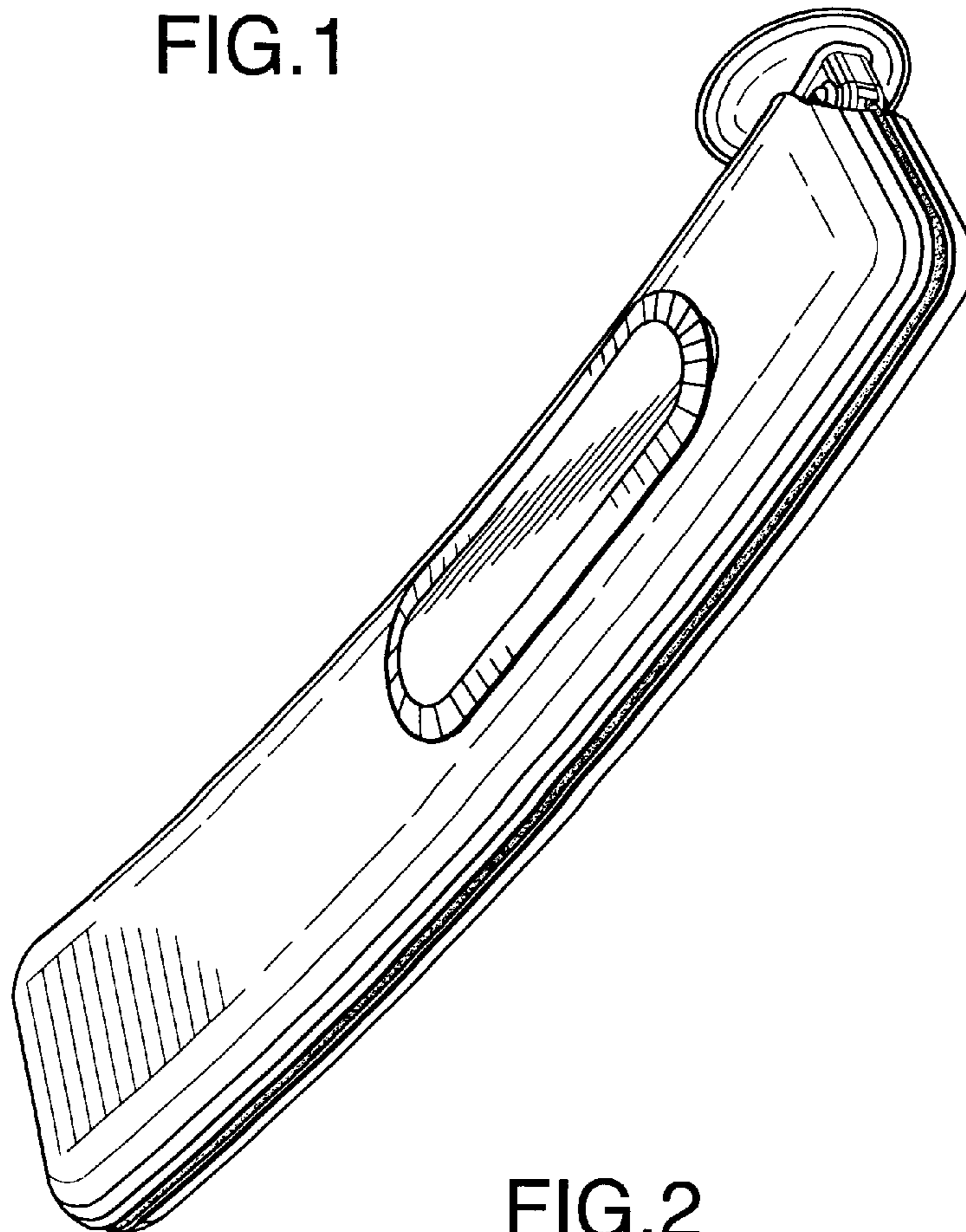


FIG. 2

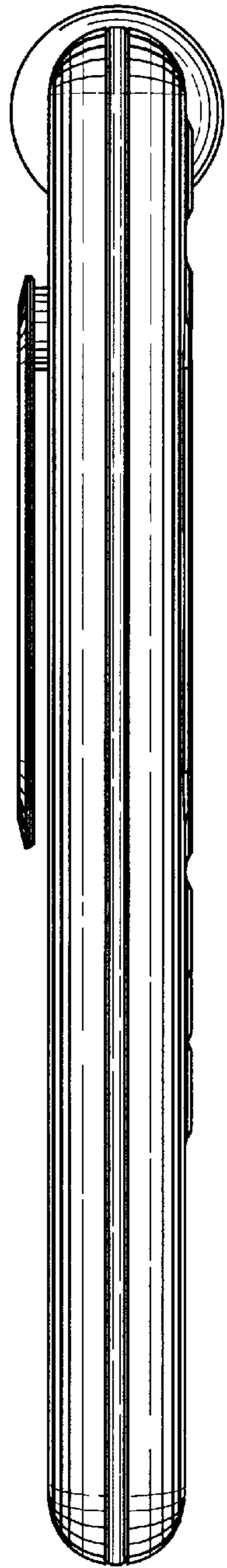


FIG.3

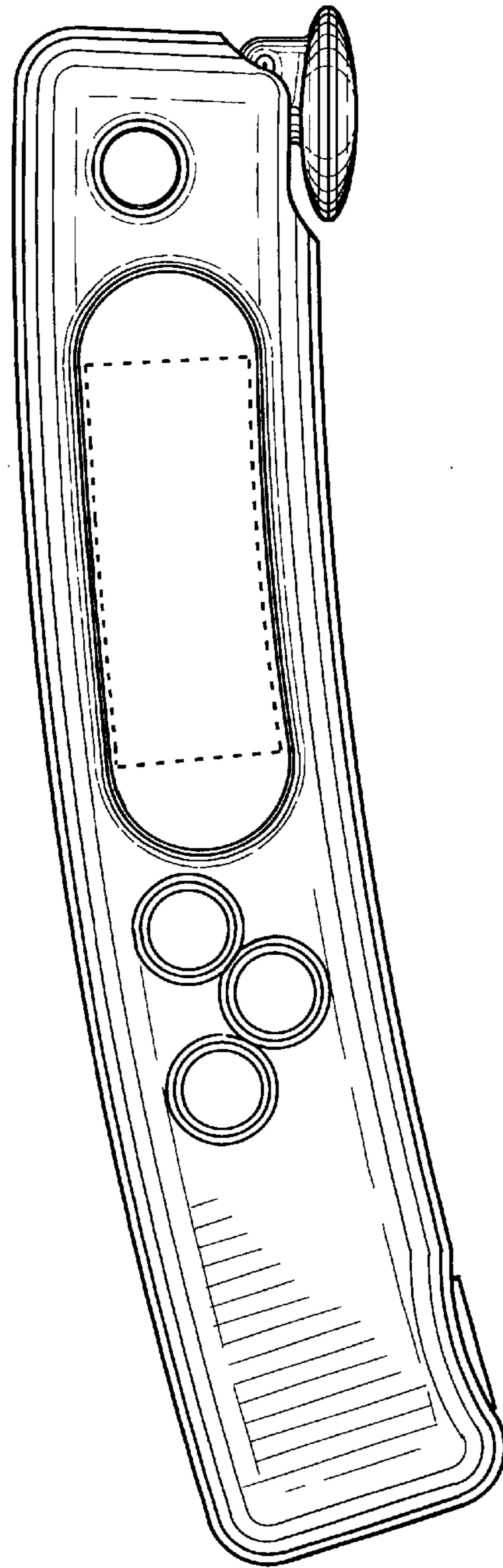


FIG.4

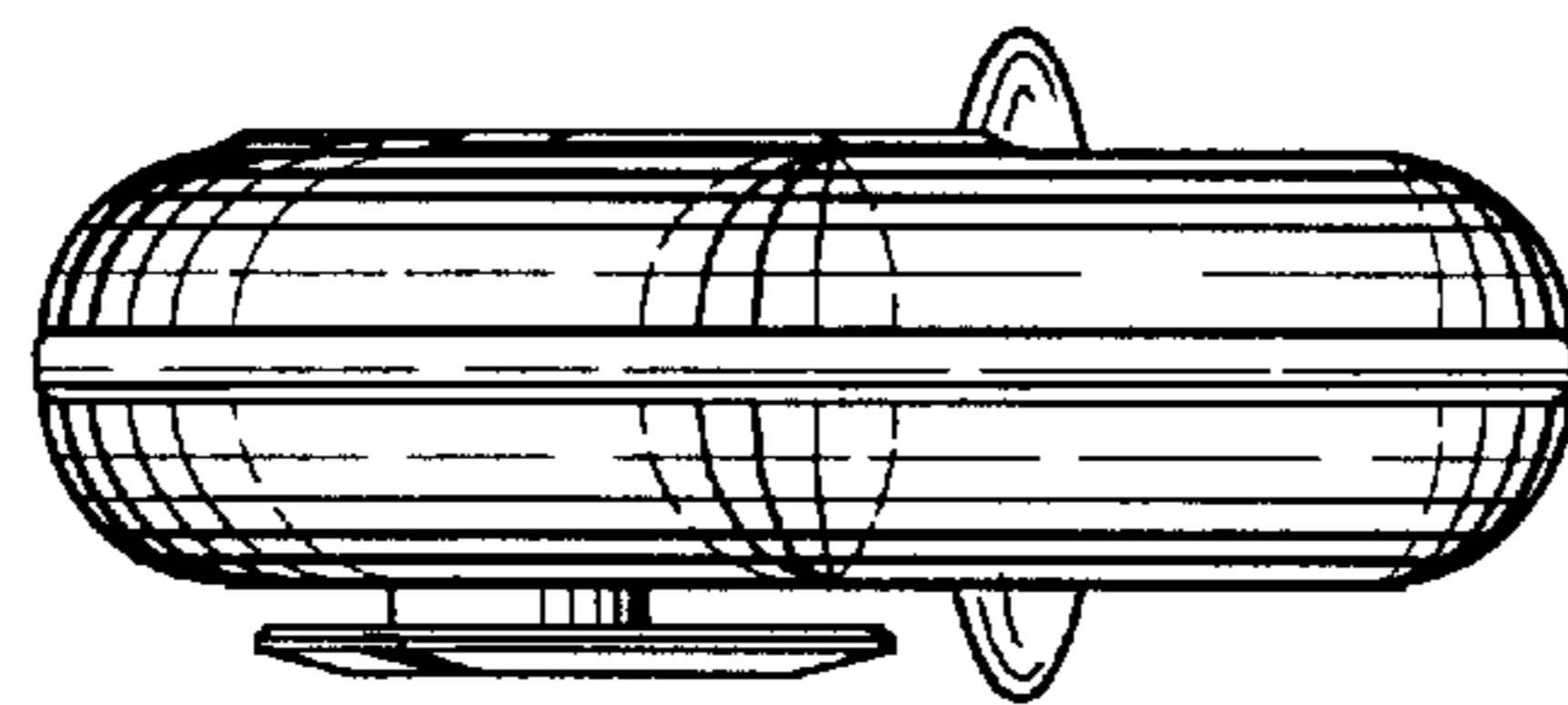


FIG.5

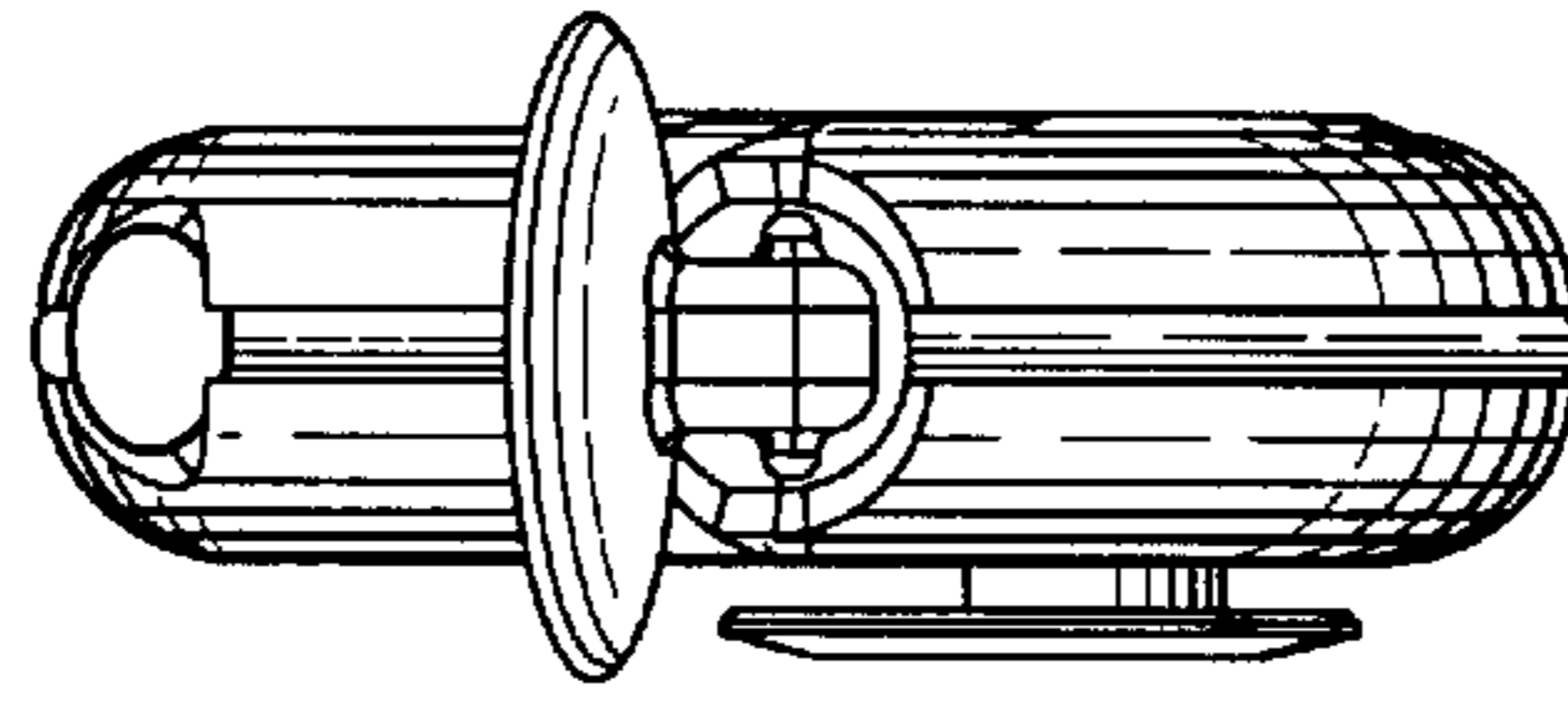


FIG. 6

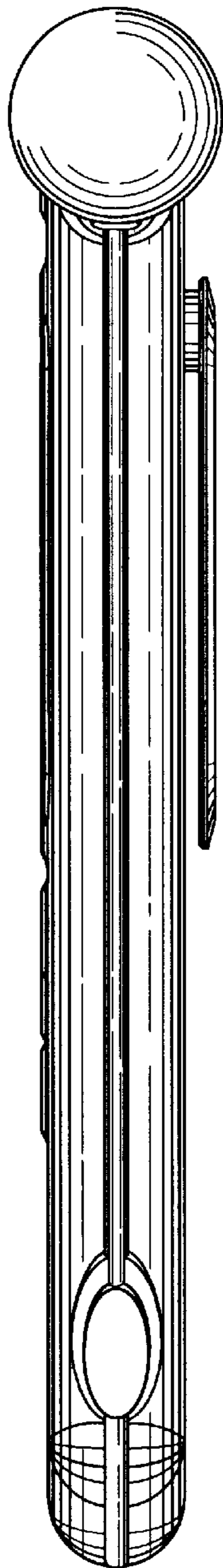


FIG. 7

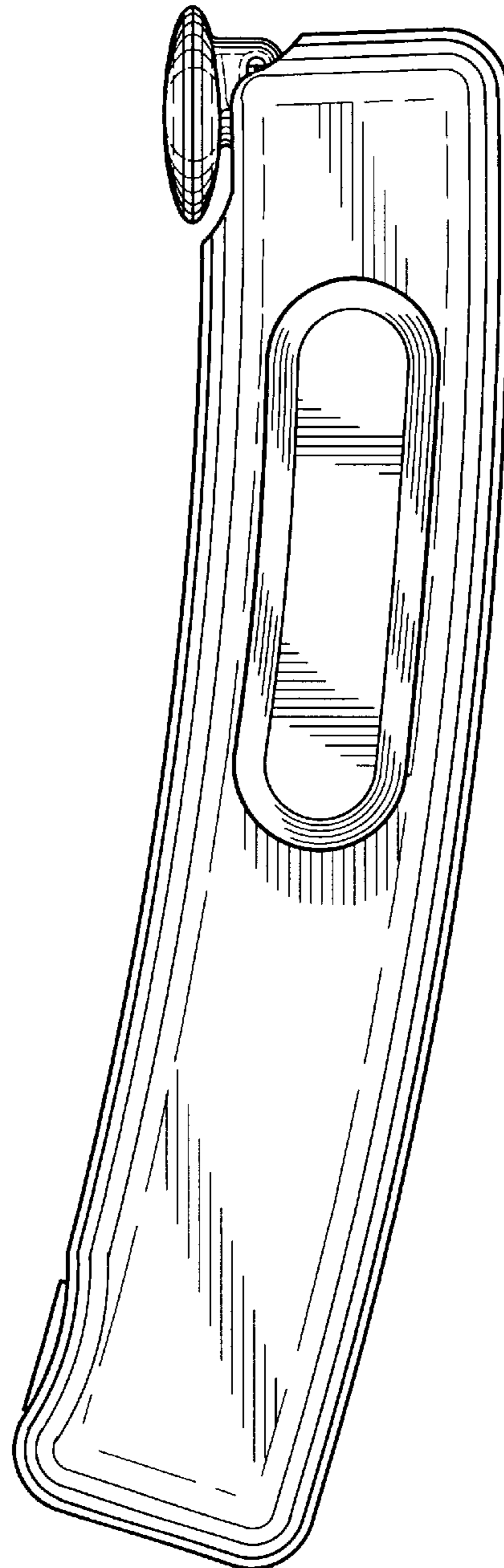


FIG. 8