



US00D529465S

(12) **United States Design Patent** (10) **Patent No.:** **US D529,465 S**  
**Kim et al.** (45) **Date of Patent:** **\*\* Oct. 3, 2006**

(54) **CELLULAR PHONE**

(75) Inventors: **Sung-Kwon Kim**, Gwangmyeong-si (KR); **Chang-Soo Lee**, Incheon (KR); **Sang-Min Hyun**, Seoul (KR)

(73) Assignee: **Samsung Electronics Co., Ltd.** (KR)

(\*\*) Term: **14 Years**

(21) Appl. No.: **29/221,037**

(22) Filed: **Jan. 10, 2005**

(30) **Foreign Application Priority Data**

Nov. 1, 2004 (KR) ..... 30-2004-0033371

(51) **LOC (8) Cl.** ..... **14-03**

(52) **U.S. Cl.** ..... **D14/138**

(58) **Field of Classification Search** ..... D14/137,  
D14/138, 147-148, 247-248, 144, 341-347;  
379/433.01-433.13; 455/575.4, 566, 575.1,  
455/556.1, 556.2, 90.3; D16/208

See application file for complete search history.

(56) **References Cited**

**U.S. PATENT DOCUMENTS**

D423,493 S	*	4/2000	Hakoda	.....	D14/138
D464,963 S	*	10/2002	Nishida	.....	D14/346
D466,096 S	*	11/2002	Takada	.....	D14/138
D479,215 S	*	9/2003	Yokoyama	.....	D14/138
D488,471 S	*	4/2004	Yagawa et al.	.....	D14/346
D493,156 S	*	7/2004	Hamann et al.	.....	D14/138
D495,695 S	*	9/2004	Yugaya	.....	D14/346
D496,644 S	*	9/2004	Yoo et al.	.....	D14/138
D496,645 S	*	9/2004	Yoo et al.	.....	D14/138
D498,736 S	*	11/2004	Lee	.....	D14/138
D501,475 S	*	2/2005	Kim	.....	D14/346
D503,699 S	*	4/2005	Lee et al.	.....	D14/138
D508,029 S	*	8/2005	Lee	.....	D14/138
D508,240 S	*	8/2005	Lee et al.	.....	D14/138

(Continued)

**OTHER PUBLICATIONS**

LG M6100 telephone, announced Jan. 2006, [online], [retrieved on Mar. 26, 2006]. Retrieved from Internet ,URL: <http://www.gsmarena.com>>.\*

Sony Ericsson S600 telephone, announced Jun. 2005, [online], [retrieved on Mar. 26, 2006]. Retrieved from Internet ,URL: <http://www.gsmarena.com>>.\*

Motorola A732 telephone, announced Jul. 2005, [online], [retrieved on Mar. 26, 2006]. Retrieved from Internet ,URL: <http://www.gsmarena.com>>.\*

Samsung D710 telephone, announced first quarter 2004, [online], [retrieved on Mar. 26, 2006]. Retrieved from Internet ,URL: <http://www.gsmarena.com>>.\*

LG S5300 telephone, announced Feb. 2006, [online], [retrieved on Mar. 1, 2006]. Retrieved from Internet ,URL: <http://www.gsmarena.com>>.\*

InnoStream INNO 55 telephone, announced 2<sup>nd</sup> quarter 2004, [online], [retrieved on Mar. 24, 2006]. Retrieved from Internet ,URL: <http://www.gsmarena.com>>.\*

*Primary Examiner*—Jeffrey Asch

(74) *Attorney, Agent, or Firm*—Cantor Colburn LLP

(57) **CLAIM**

We claim, the ornamental design for a cellular phone, as shown and described.

**DESCRIPTION**

FIG. 1 is a top and front perspective view of a cellular phone, showing our new design;

FIG. 2 is a front elevational view thereof;

FIG. 3 is a rear elevational view thereof;

FIG. 4 is a left side elevational view thereof;

FIG. 5 is a right side elevational view thereof;

FIG. 6 is a top elevational view thereof;

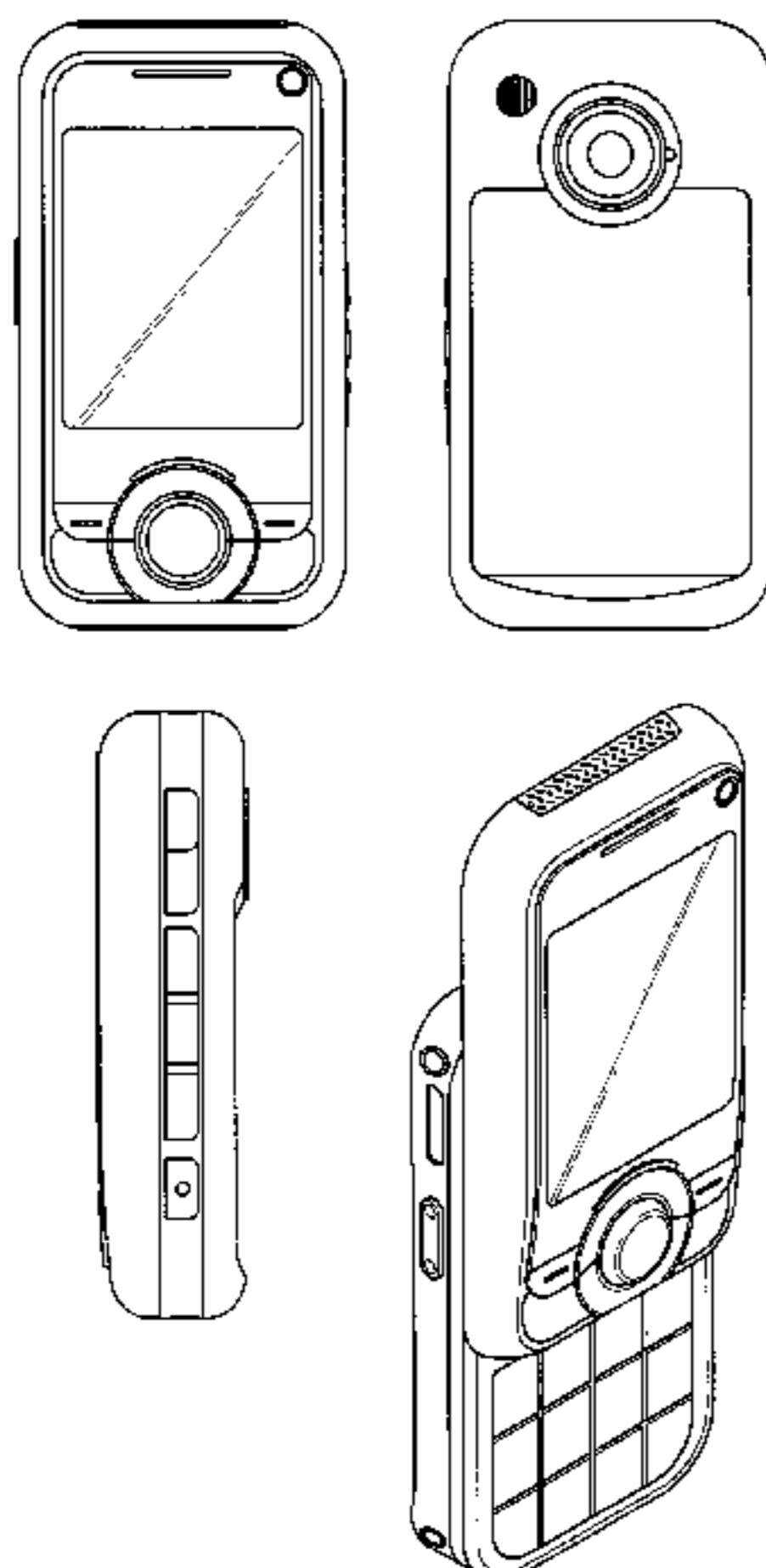
FIG. 7 is a bottom elevational view thereof;

FIG. 8 is a front perspective view thereof, the cellular phone being in an alternate position; and,

FIG. 9 is a front perspective view thereof, the cellular phone being in another alternate position.

The broken line showing of a base in FIG. 9 is included for illustrative purposes only and forms no part of the claimed design.

**1 Claim, 5 Drawing Sheets**



# US D529,465 S

Page 2

---

## U.S. PATENT DOCUMENTS

D508,473	S	*	8/2005	Lee et al. ....	D14/138	2005/0009581	A1	*	1/2005	Im et al. ....	455/575.4
D508,688	S	*	8/2005	Lee et al. ....	D14/138	2005/0014538	A1	*	1/2005	Hyun et al. ....	455/575.4
D509,202	S	*	9/2005	Lee et al. ....	D14/138	2005/0059438	A1	*	3/2005	Jellicoe ....	455/575.1
D509,203	S	*	9/2005	Bertrand et al. ....	D14/138	2005/0070348	A1	*	3/2005	Lee et al. ....	455/575.4
D509,206	S	*	9/2005	Jang ....	D14/138	2005/0090298	A1	*	4/2005	Park et al. ....	455/575.4
D509,813	S	*	9/2005	Miyazawa et al. ....	D14/138	2005/0124394	A1	*	6/2005	Kim et al. ....	455/575.3
D509,814	S	*	9/2005	Shin et al. ....	D14/138	2005/0190291	A1	*	9/2005	Kota et al. ....	348/376
D511,342	S	*	11/2005	Chien ....	D14/346	2005/0255897	A1	*	11/2005	Lee et al. ....	455/575.4
D513,505	S	*	1/2006	Lee ....	D14/138	2005/0266897	A1	*	12/2005	Ahn et al. ....	455/575.1
2003/0064688	A1	*	4/2003	Mizuta et al. ....	455/90	2006/0019726	A1	*	1/2006	Park et al. ....	455/575.1
2004/0266477	A1	*	12/2004	Murata ....	455/556.1	2006/0025184	A1	*	2/2006	Cho et al. ....	455/575.4

\* cited by examiner

# FIG. 1

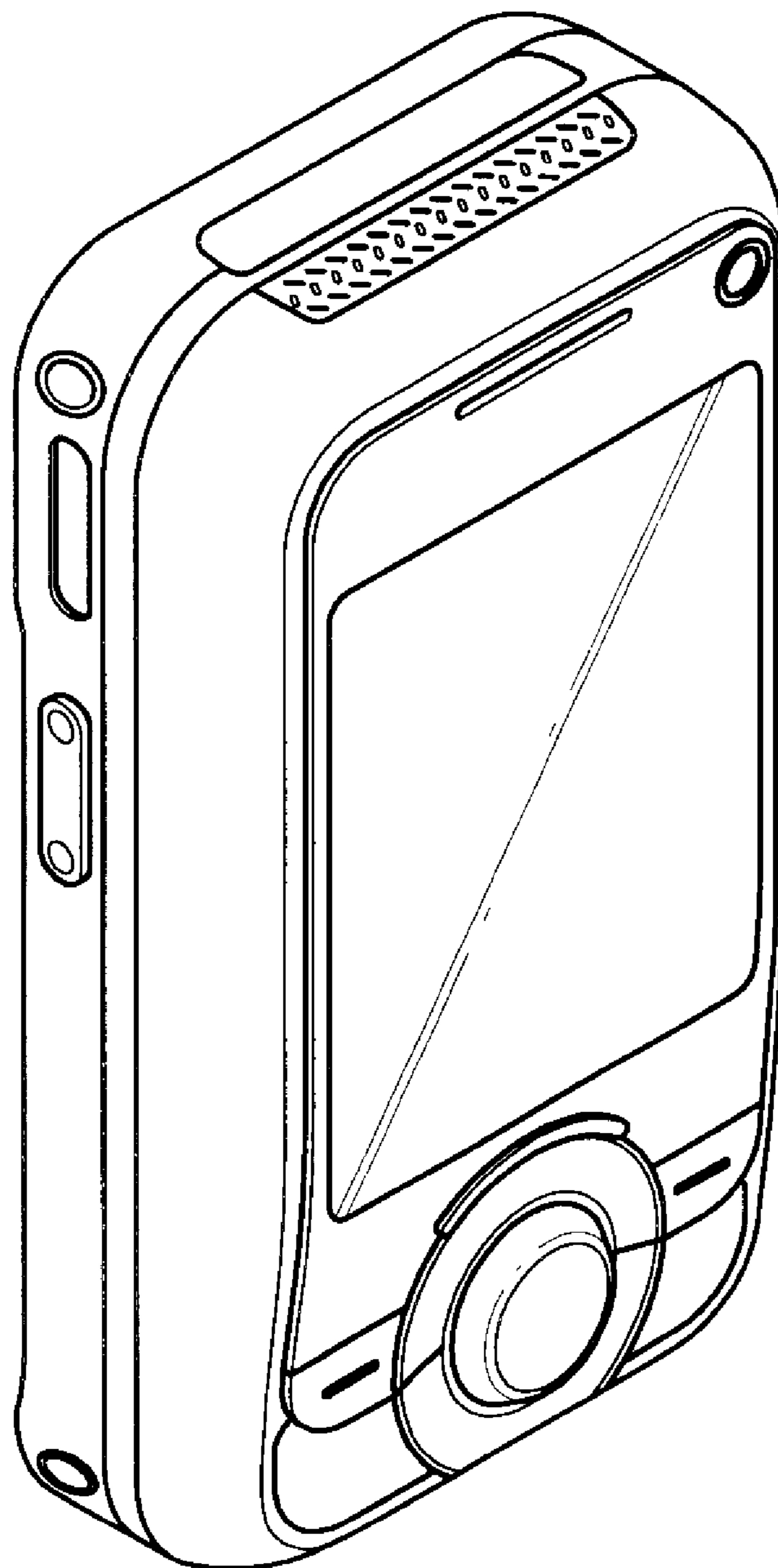


FIG. 2

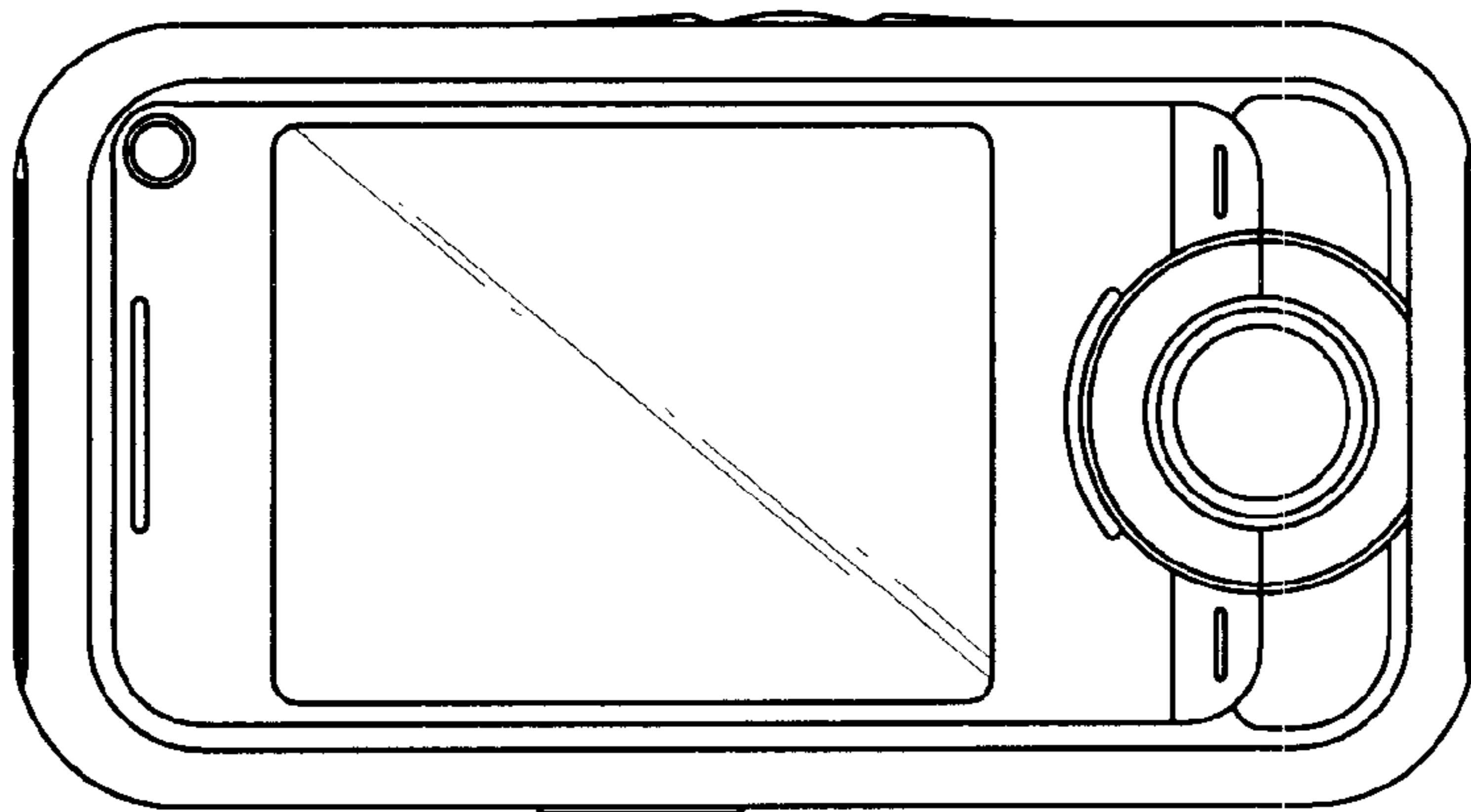


FIG. 3

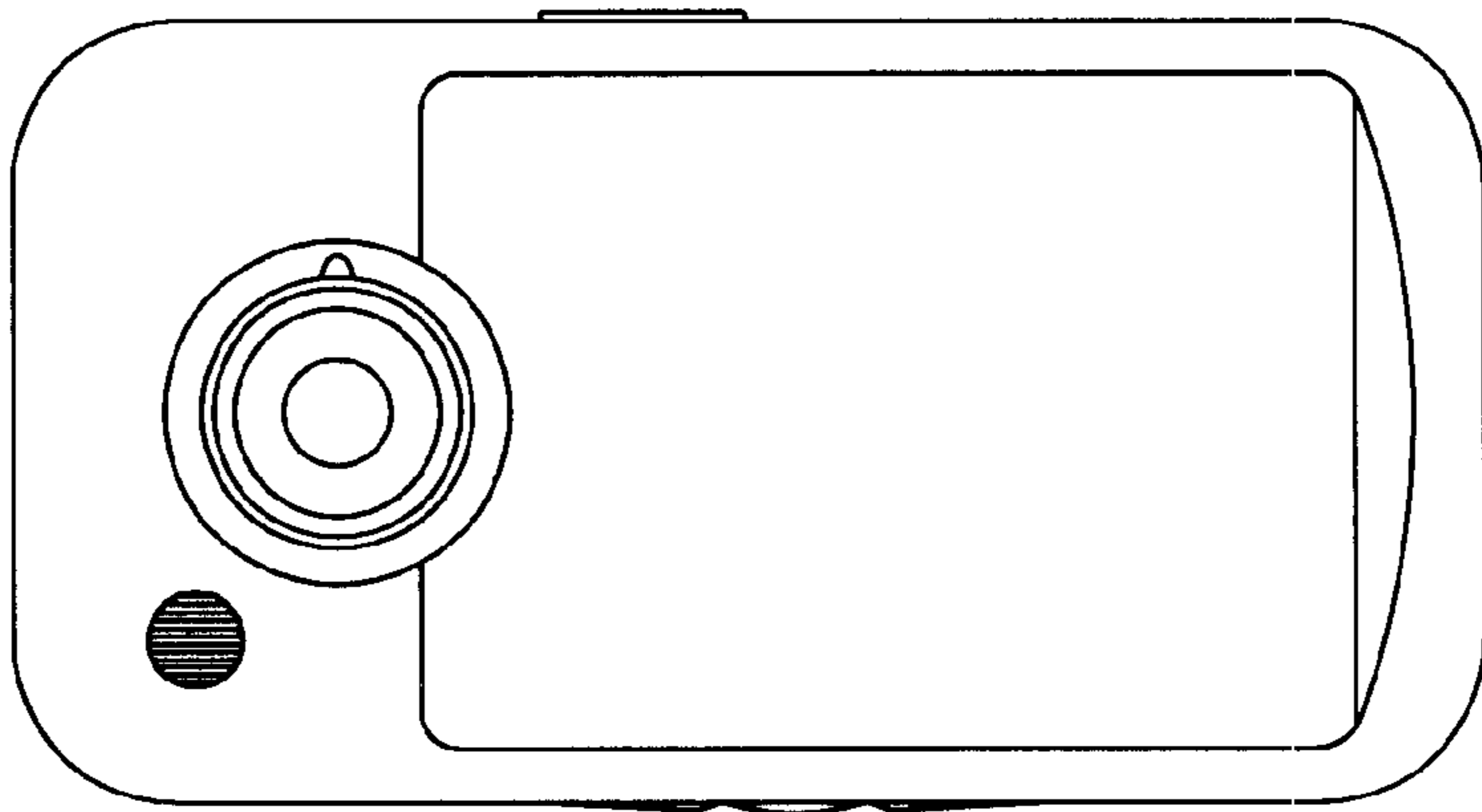


FIG. 4

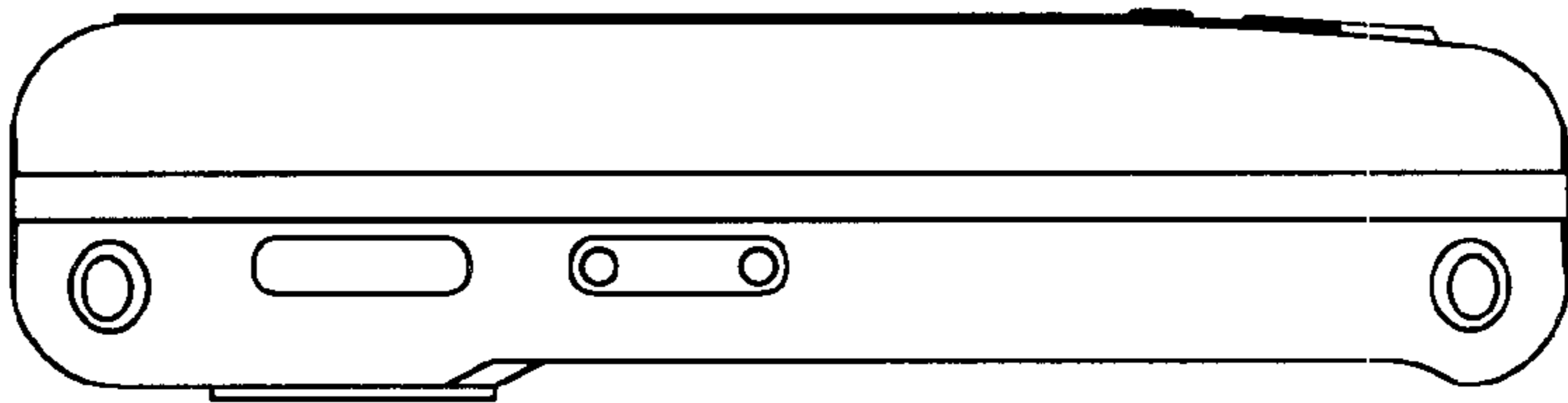


FIG. 5

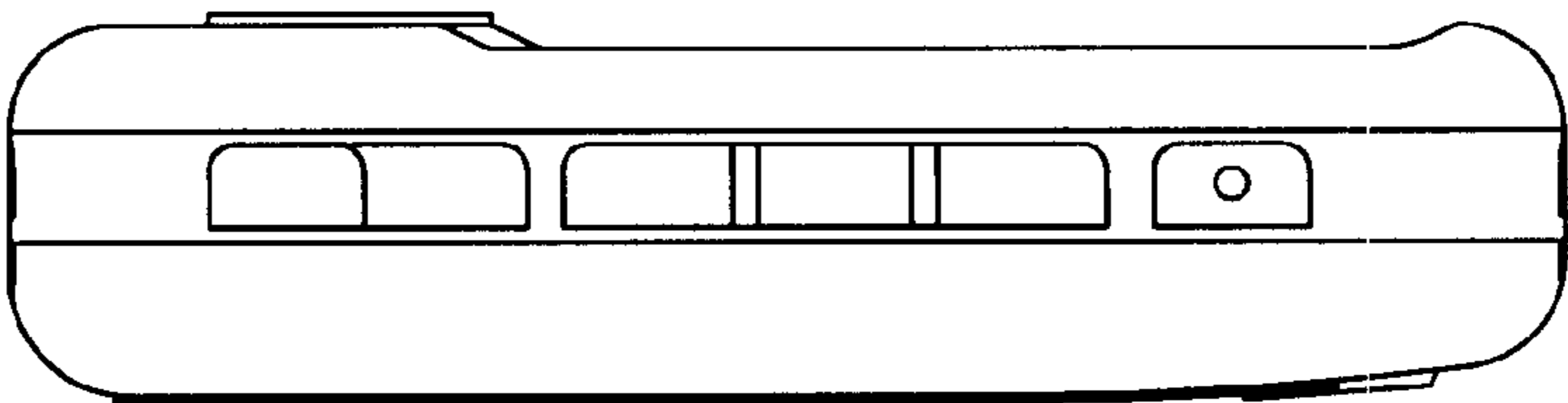


FIG. 6

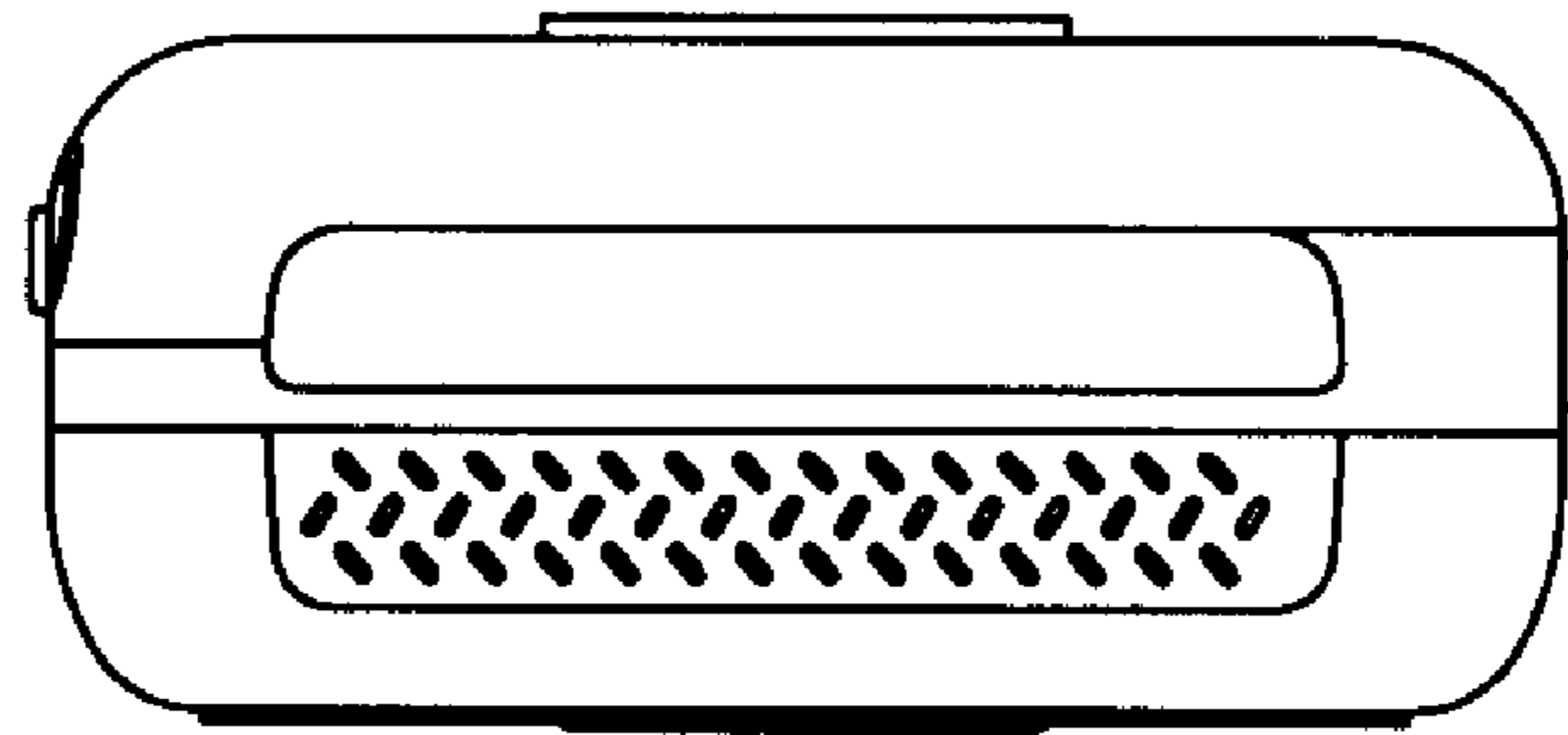


FIG. 7

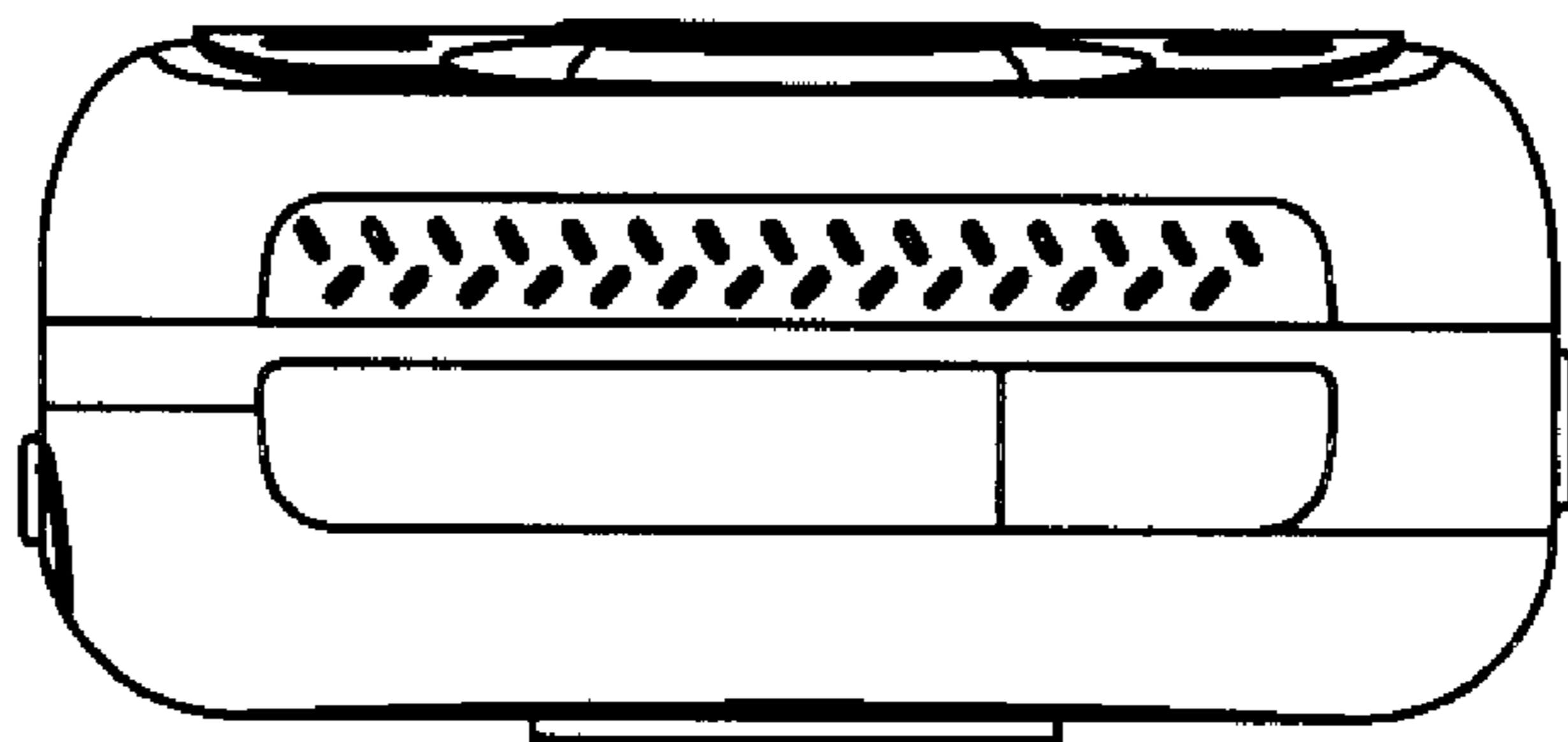


FIG. 8

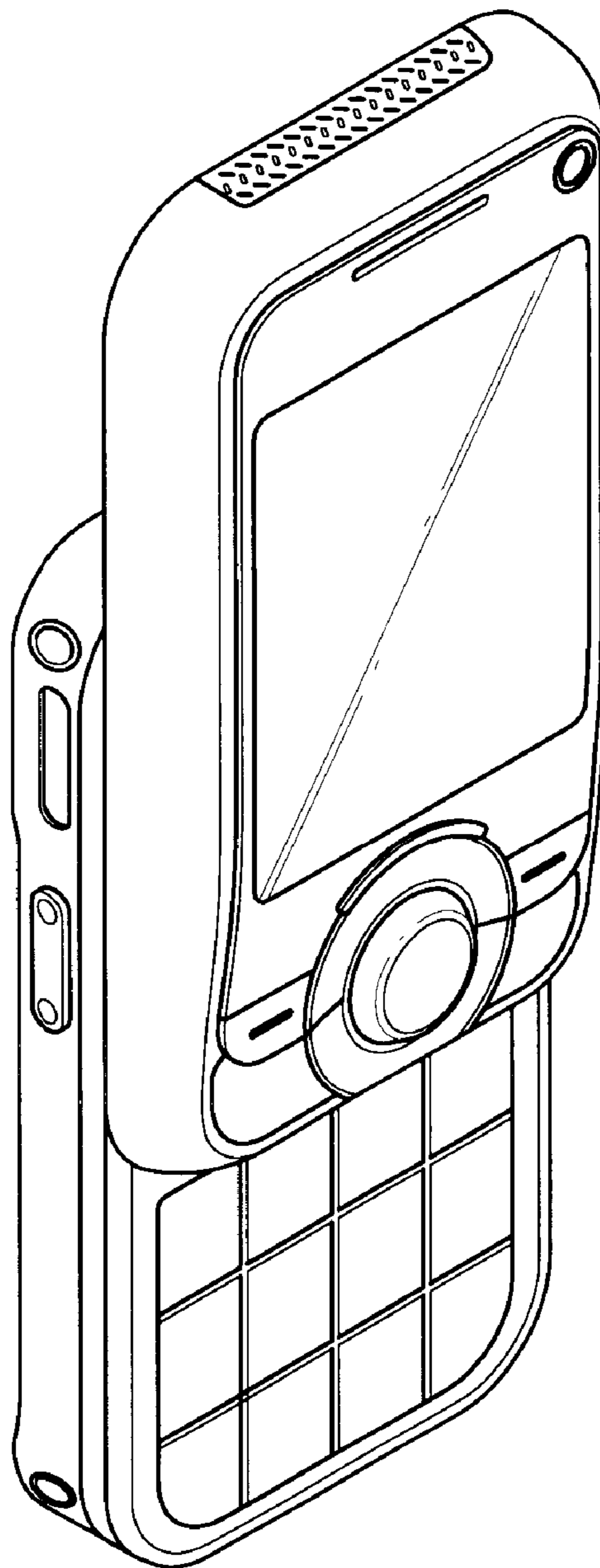


FIG. 9

