



US00D529464S

(12) **United States Design Patent**  
**Lim et al.**

(10) **Patent No.:** **US D529,464 S**  
(45) **Date of Patent:** **\*\* Oct. 3, 2006**

(54) **COMPLEX IMAGE PLAYER**

(75) Inventors: **Hyun-Teak Lim**, Seoul (KR); **Ju-Won Cho**, Seoul (KR)

(73) Assignee: **Samsung Electronics Co., Ltd.**,  
Kyunggi-do (KR)

(\*\*) Term: **14 Years**

(21) Appl. No.: **29/237,121**

(22) Filed: **Aug. 26, 2005**

(51) **LOC (8) Cl.** ..... **14-01**

(52) **U.S. Cl.** ..... **D14/136**

(58) **Field of Classification Search** ..... D14/135–136,  
D14/156–157, 167–168, 193–198, 188, 357,  
D14/445; 360/99.02, 99.07, 137; 369/75.11,  
369/75.21, 77.21, 77.11; 720/612, 619, 647,  
720/655; 455/344, 347–351

See application file for complete search history.

(56) **References Cited**

**U.S. PATENT DOCUMENTS**

4,758,910 A \* 7/1988 Kaneko et al. .... 360/137  
D385,275 S \* 10/1997 Ito et al. .... D14/156

(Continued)

**OTHER PUBLICATIONS**

U.S. Appl. No. 29/217,942, Applicant: Young-Sam Kwon,  
et al., filed Nov. 23, 2004 entitled Complex Image Player.

U.S. Appl. No. 29/217,943, Applicant: Bong-Chan Ko, et  
al., filed Nov. 23, 2004 entitled Complex Image Player.

U.S. Appl. No. 29/217,940, Applicant: Young-Sam Kwon,  
et al., filed Nov. 23, 2004 entitled Complex Image Player.

U.S. Appl. No. 29/217,946, Applicant: Young-Sam Kwon,  
et al., filed Nov. 23, 2004 entitled DVD Player.

U.S. Appl. No. 29/217,945, Applicant: Young-Sam Kwon,  
et al., filed Nov. 23, 2004 entitled Double-Deck DVD  
Recorder.

U.S. Appl. No. 29/217,947, Applicant: Young-Sam Kwon,  
et al., filed Nov. 23, 2004 entitled Complex Image Player.

U.S. Appl. No. 29/226,437, Applicant: Min-Geun Kim, et  
al., filed Mar. 29, 2005 entitled Digital Video Recorder.

U.S. Appl. No. 29/228,009, Applicant: Han Kim, et al., filed  
Apr. 19, 2005 entitled Complex Image Player.

U.S. Appl. No. 29/228,003, Applicant: Hyun-Teak Lim, et  
al., filed Apr. 19, 2005 entitled DVD Recorder.

U.S. Appl. No. 29/228,001, Applicant: Hyun-Teak Lim,  
filed Apr. 19, 2005 entitled DVD Recorder.

U.S. Appl. No. 29/228,005, Applicant: Han Kim, et al., filed  
Apr. 19, 2005 entitled Complex Image Player.

U.S. Appl. No. 29/228,023, Applicant: Han Kim, et al., filed  
Apr. 19, 2005 entitled Blu-Ray Player.

U.S. Appl. No. 29/228,020, Applicant: Hyun-Teak Lim,  
filed Apr. 19, 2005 entitled DVD Recorder.

U.S. Appl. No. 29/228,006, Applicant: Han Kim, et al., filed  
Apr. 19, 2005 entitled Complex Image Player.

U.S. Appl. No. 29/228,036, Applicant: Young-Sam Kwon,  
et al., filed Apr. 19, 2005 entitled Complex Image Player.

U.S. Appl. No. 29/228,002, Applicant: Hyun-Teak Lim,  
filed Apr. 19, 2005 entitled Blu-Ray Player.

U.S. Appl. No. 29/228,008, Applicant: Young-Sam Kwon,  
et al., filed Apr. 19, 2005 entitled Complex Image Player.

(Continued)

*Primary Examiner*—Nanda Bondade

(74) *Attorney, Agent, or Firm*—Fynn, Thiel, Boutell &  
Tanis, P.C.

(57) **CLAIM**

The ornamental design for a complex image player, as  
shown and described.

**DESCRIPTION**

FIG. 1 is a top front perspective view of a complex image  
player showing our new design.

FIG. 2 is a front elevational view thereof.

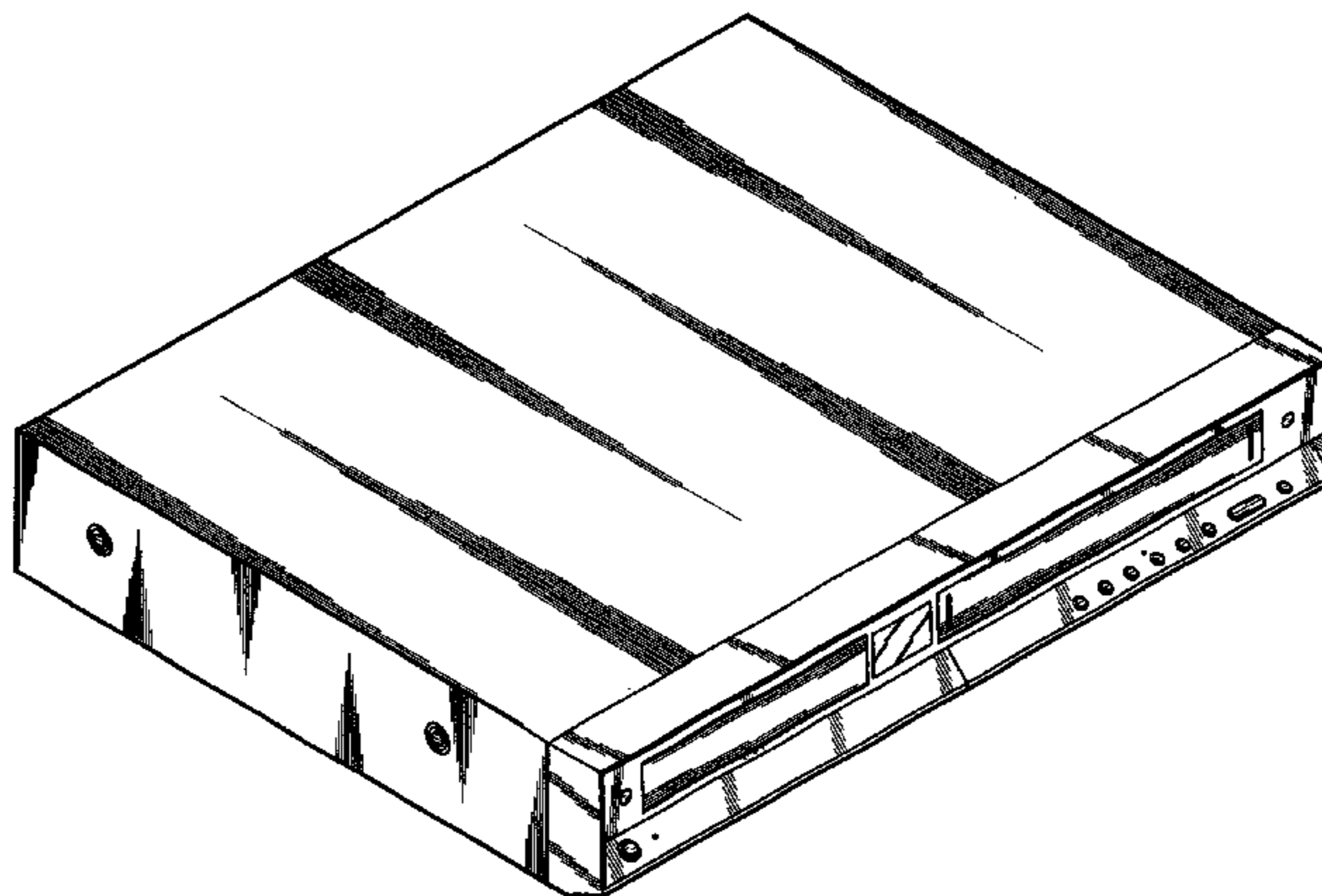
FIG. 3 is a rear elevational view thereof.

FIG. 4 is a left side elevational view thereof, the right side  
being a mirror image;

FIG. 5 is a top plan view thereof; and,

FIG. 6 is a bottom plan view thereof.

**1 Claim, 5 Drawing Sheets**



U.S. PATENT DOCUMENTS

D480,373 S \* 10/2003 Oda et al. .... D14/136  
D485,814 S \* 1/2004 Winkler ..... D14/136  
D494,555 S \* 8/2004 Wu ..... D14/136

OTHER PUBLICATIONS

U.S. Appl. No. 29/228,033, Applicant: Young-Sam Kwon, et al., filed Apr. 19, 2005 entitled Complex Image Player.  
U.S. Appl. No. 29/228,011, Applicant: Young-Sam Kwon, et al., filed Apr. 19, 2005 entitled Complex Image Player.  
U.S. Appl. No. 29/228,000, Applicant: Young-Sam Kwon, et al., filed Apr. 19, 2005 entitled DVD Player.  
U.S. Appl. No. 29/227,995, Applicant: Hyun-Teak Lim, et al., filed Apr. 19, 2005 entitled DVD Player.  
U.S. Appl. No. 29/231,247, Applicant: Ju-Won Cho, et al., filed Jun. 2, 2005 entitled DVD Player.

U.S. Appl. No. 29/237,117, Applicant: Hyun-Teak Lim, et al., filed Aug. 26, 2005 entitled Blu-Ray Disk Player.  
U.S. Appl. No. 29/237,118, Applicant: Hyun-Teak Lim, et al., filed Aug. 26, 2005 entitled DVD Recorder.  
U.S. Appl. No. 29/237,119, Applicant: Hyun-Teak Lim, et al., filed Aug. 26, 2005 entitled Blu-Ray Disk Player.  
U.S. Appl. No. 29/237,120, Applicant: Jung-Hyun Park, et al., filed Aug. 26, 2005 entitled DVD Recorder.  
U.S. Appl. No. 29/237,122, Applicant: Jung-Hyun Park, et al., filed Aug. 26, 2005 entitled DVD Player.  
U.S. Appl. No. 29/237,123, Applicant: Hyun-Teak Lim, et al., filed Aug. 26, 2005 entitled DVD Recorder.  
U.S. Appl. No. 29/237,124, Applicant: Hyun-Teak Lim, et al., filed Aug. 26, 2005 entitled DVD Recorder.

\* cited by examiner

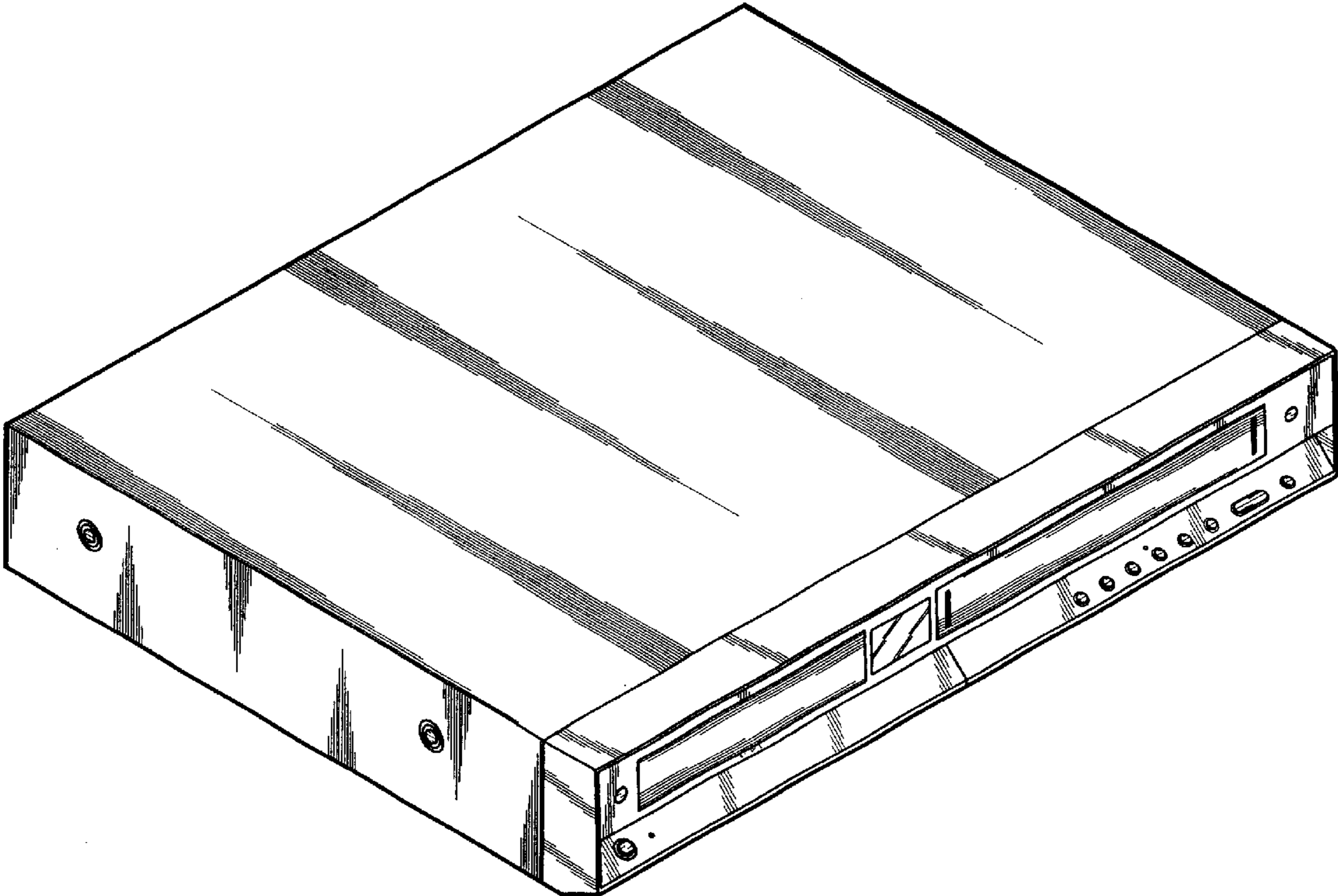


FIG. 1

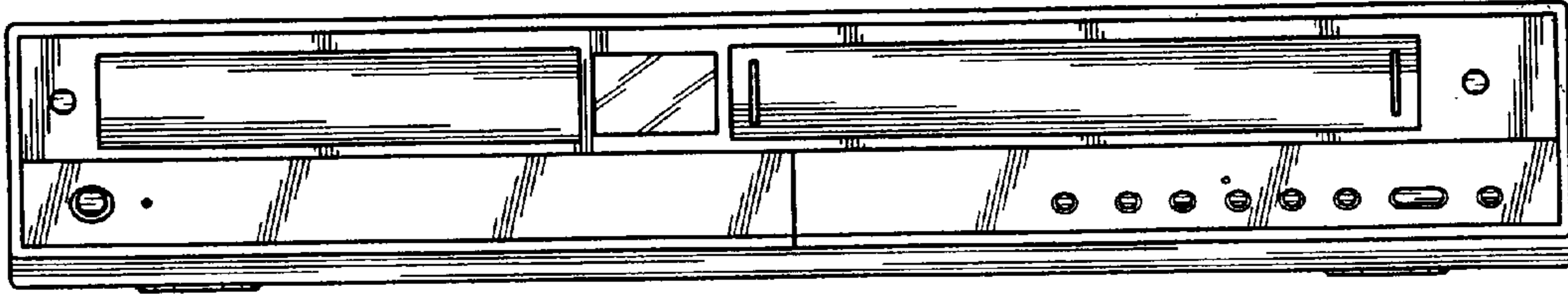


FIG. 2

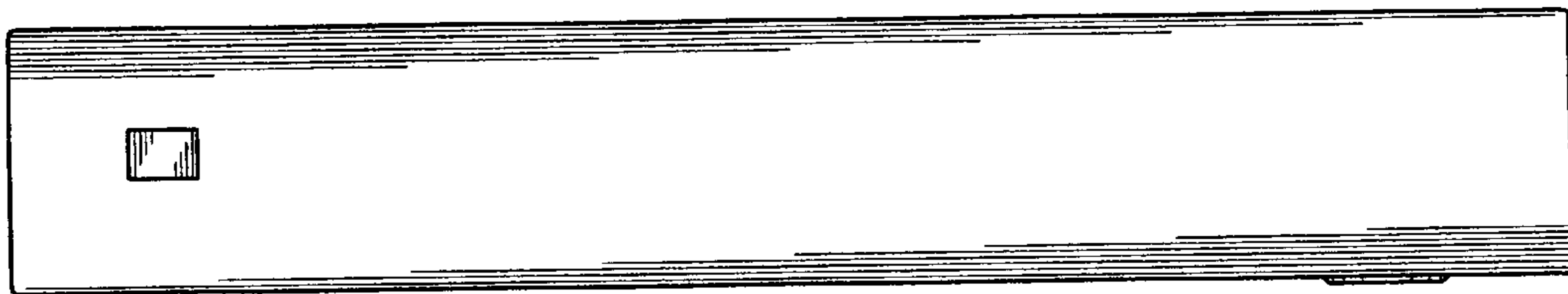


FIG. 3

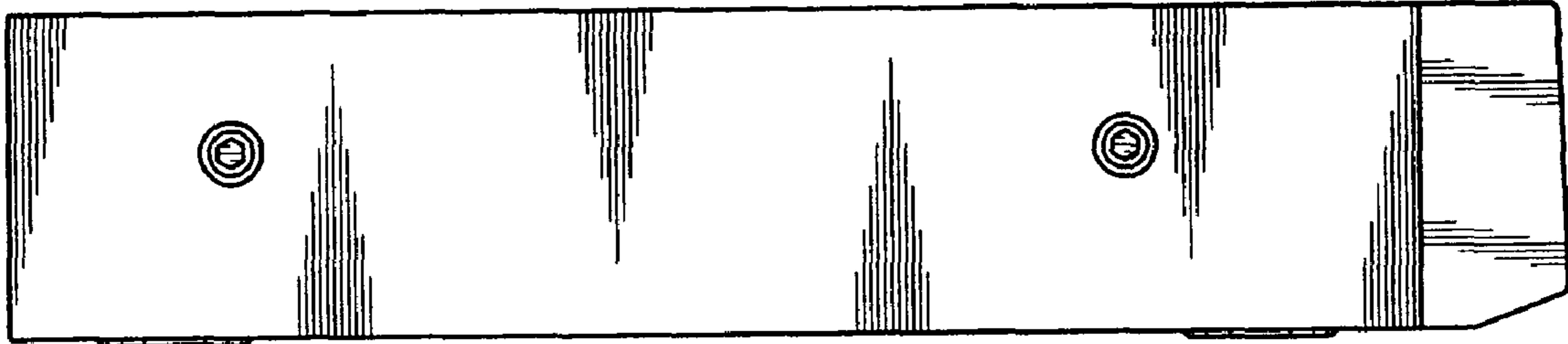


FIG. 4

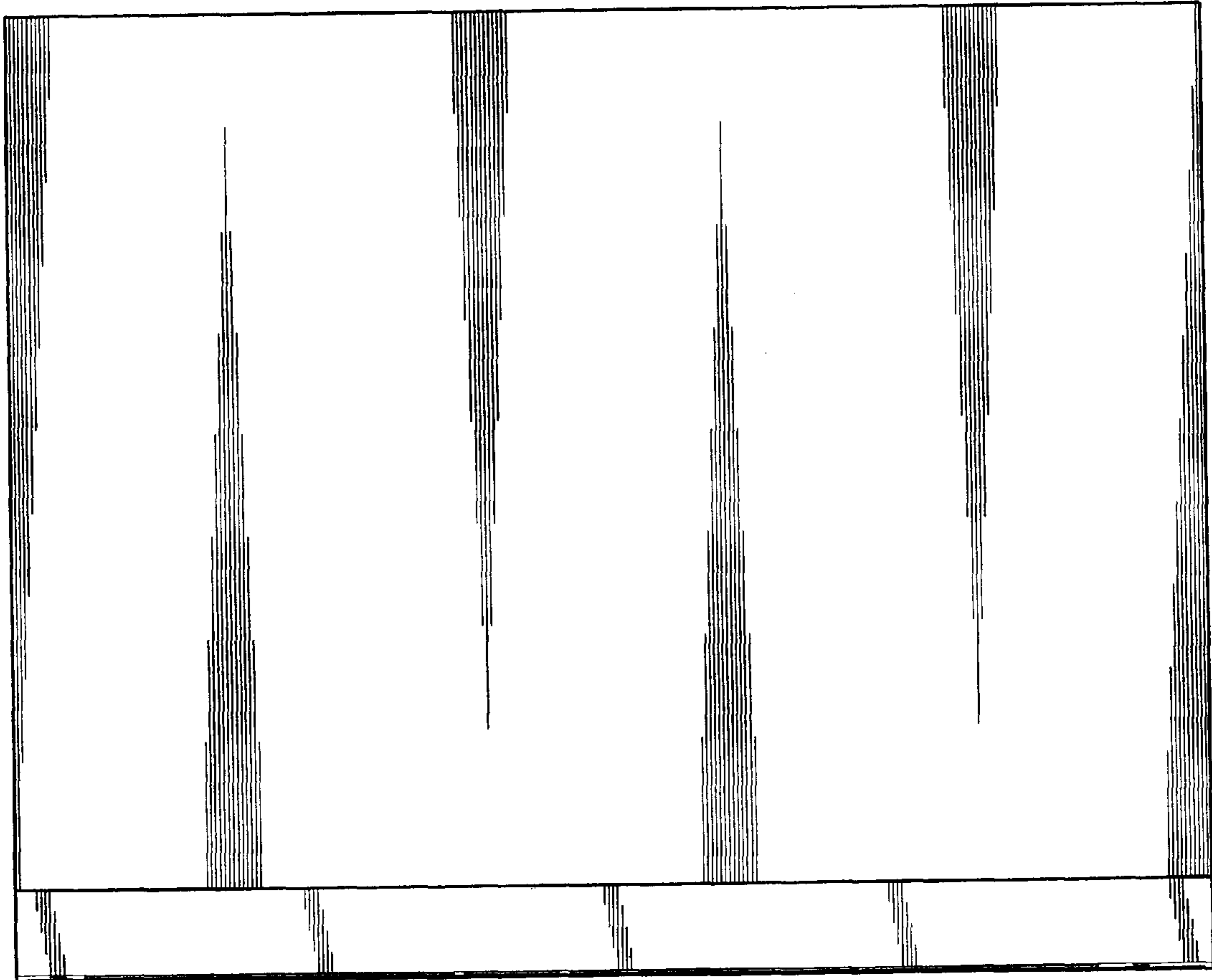


FIG. 5

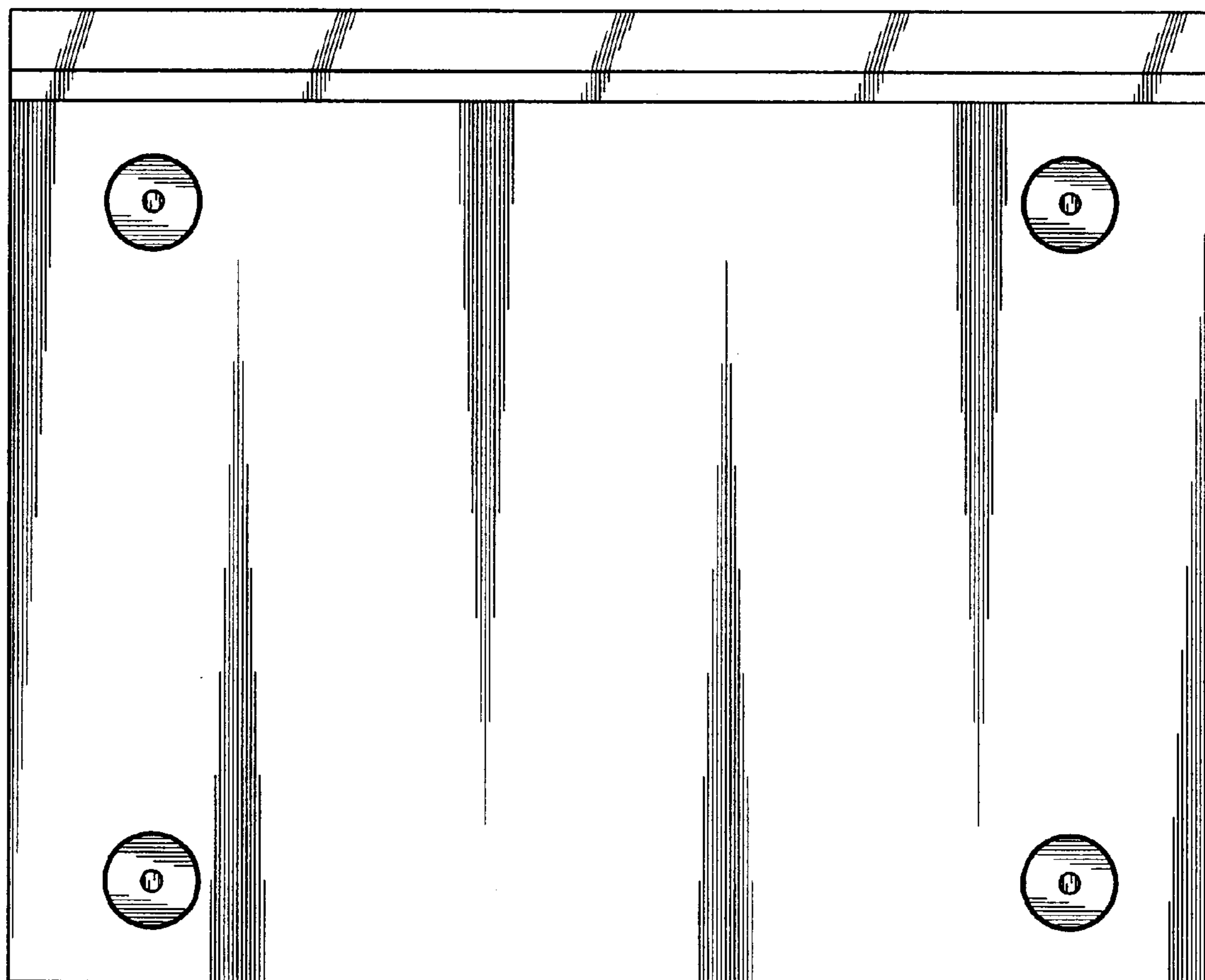


FIG.6