

US00D529462S

(12) **United States Design Patent**  
**Lee et al.**

(10) **Patent No.:** **US D529,462 S**  
(45) **Date of Patent:** **\*\* Oct. 3, 2006**

(54) **OVERHEAD VEHICLE ENTERTAINMENT UNIT**  
(75) Inventors: **Jong Min Lee**, Gumi (KR); **Chang Min Cho**, Gumi (KR); **Chun Rae Cho**, Daegu (KR)

6,339,455 B1 1/2002 Allan et al.  
6,364,390 B1 \* 4/2002 Finneman ..... 296/37.7  
6,409,242 B1 \* 6/2002 Chang ..... 296/37.7  
6,412,848 B1 \* 7/2002 Ceccanese et al. .... 296/37.7  
D467,562 S \* 12/2002 Chang ..... D14/132  
6,633,347 B1 \* 10/2003 Kitazawa ..... 348/837  
D510,329 S \* 10/2005 Vitito ..... D14/132  
2002/0149708 A1 \* 10/2002 Nagata et al. .... 348/837

(73) Assignee: **KTV USA, Inc.**, East Rutherford, NJ (US)

(\*\*) Term: **14 Years**

(21) Appl. No.: **29/211,049**

(22) Filed: **Aug. 10, 2004**

(51) **LOC (8) Cl.** ..... **14-03**  
(52) **U.S. Cl.** ..... **D14/132**  
(58) **Field of Classification Search** ..... D14/125-134, D14/239, 371, 374-376; 312/7.2; 348/836, 348/838, 180, 184, 325, 739; 341/12; 248/917-924; 345/104, 133, 156, 168, 87, 173; 353/74; 340/700; D12/415-418, 345; D21/329, 515  
See application file for complete search history.

**OTHER PUBLICATIONS**

U.S. Appl. No. 11/126,610, entitled "Overhead Vehicle Entertainment Unit," filed May 11, 2005, Inventors: Jong Min Lee, et al.

\* cited by examiner

*Primary Examiner*—Raphael Barkai  
(74) *Attorney, Agent, or Firm*—McCarter & English, LLP

(57) **CLAIM**

The ornamental design for an overhead vehicle entertainment unit, as shown.

**DESCRIPTION**

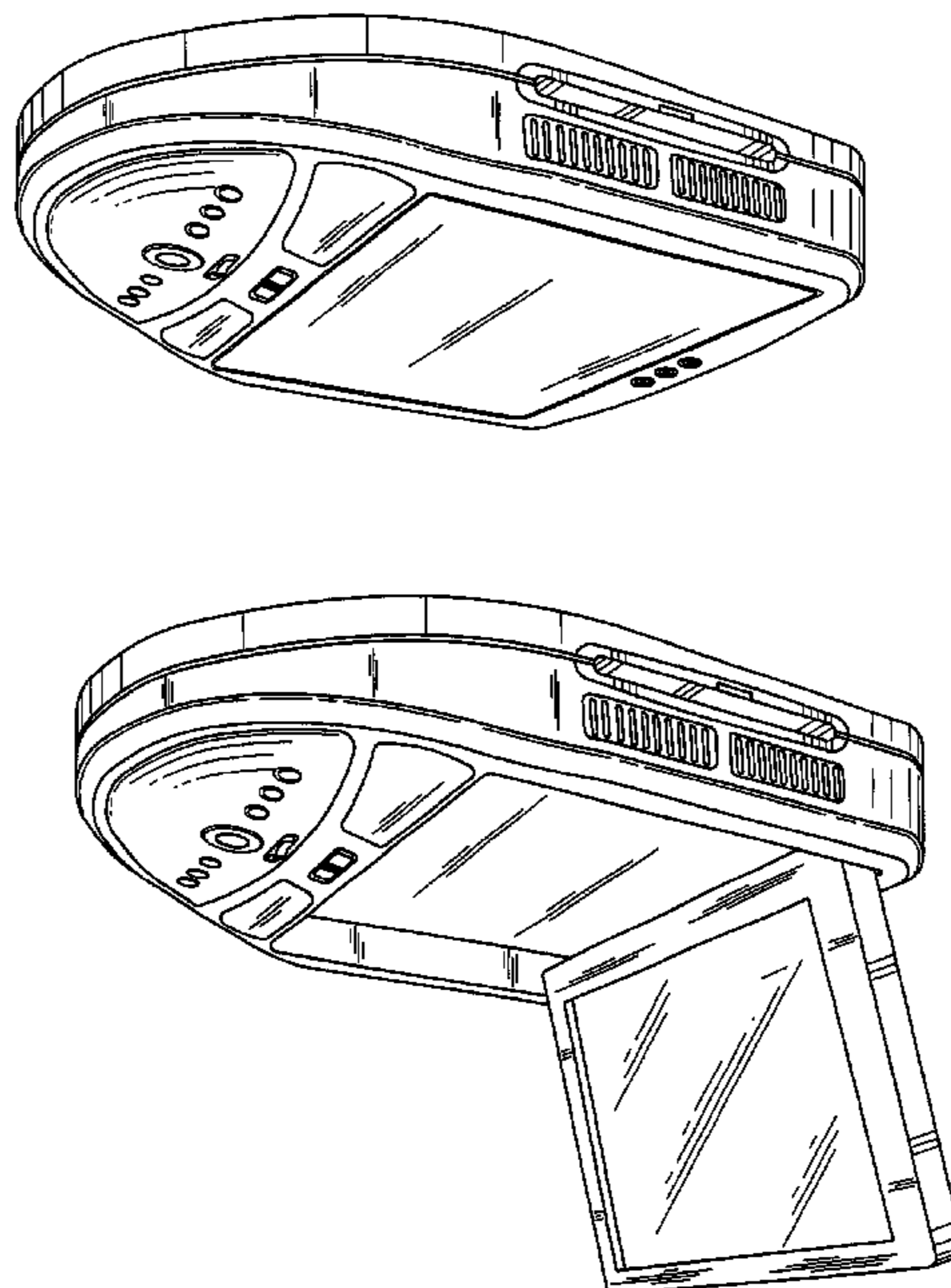
FIG. 1 is a perspective view of an overhead vehicle entertainment unit showing our new design; FIG. 2 is a top plan view thereof; FIG. 3 is a bottom plan view thereof; FIG. 4 is a front elevational view thereof; FIG. 5 is a rear elevational view thereof; FIG. 6 is a left side elevational view thereof; FIG. 7 is a right side elevational view thereof; and, FIG. 8 is a perspective view thereof showing the display monitor in a deployed position.

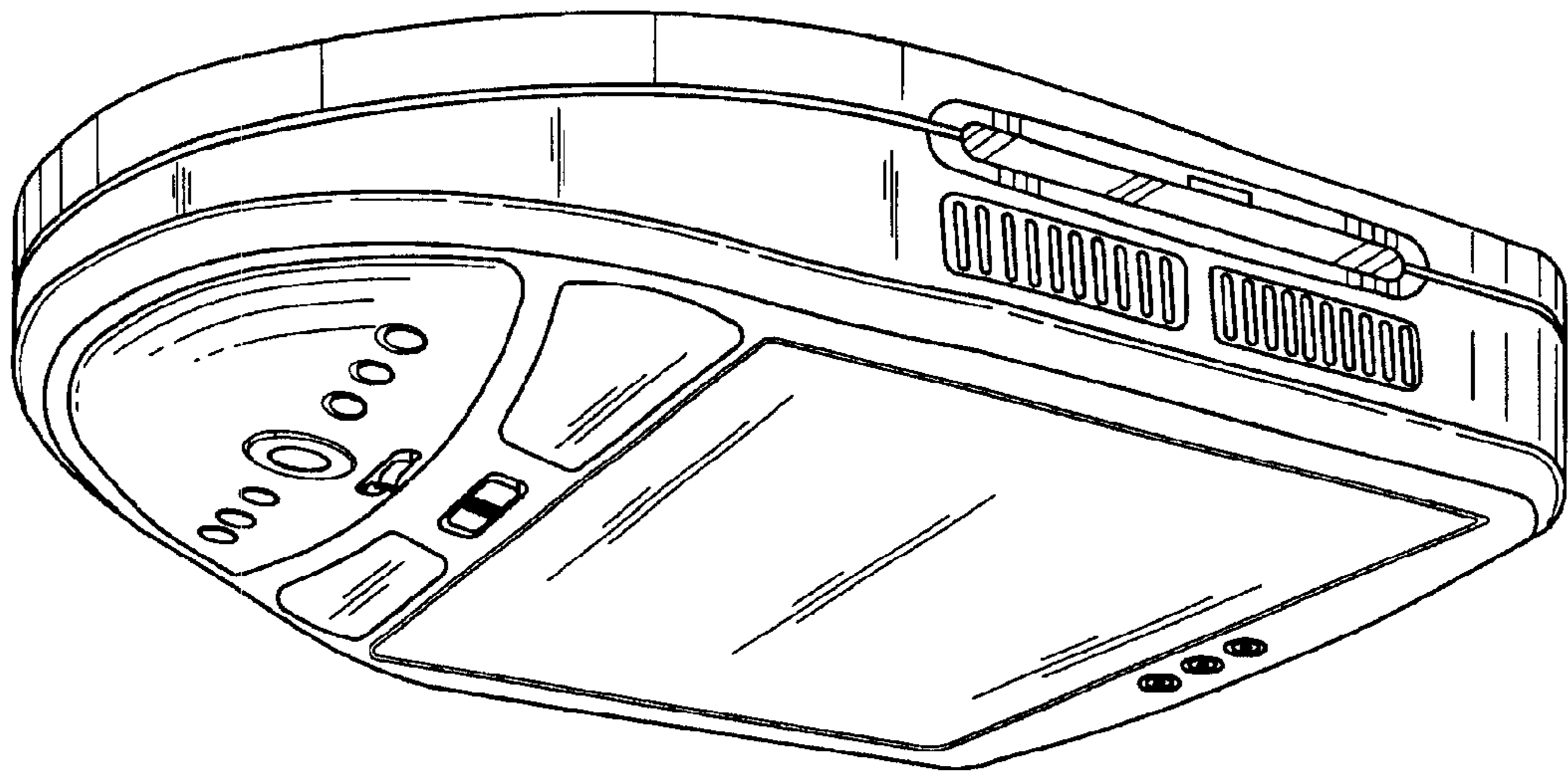
(56) **References Cited**

**U.S. PATENT DOCUMENTS**

5,775,762 A 7/1998 Vitito  
D399,200 S 10/1998 Rosen  
5,927,784 A 7/1999 Vitito  
5,946,055 A 8/1999 Rosen  
6,059,255 A 5/2000 Rosen et al.  
6,115,086 A 9/2000 Rosen  
6,124,902 A 9/2000 Rosen  
6,246,449 B1 6/2001 Rosen  
6,292,236 B1 9/2001 Rosen  
D451,895 S \* 12/2001 Lavelle et al. .... D14/132

**1 Claim, 6 Drawing Sheets**





*FIG. 1*

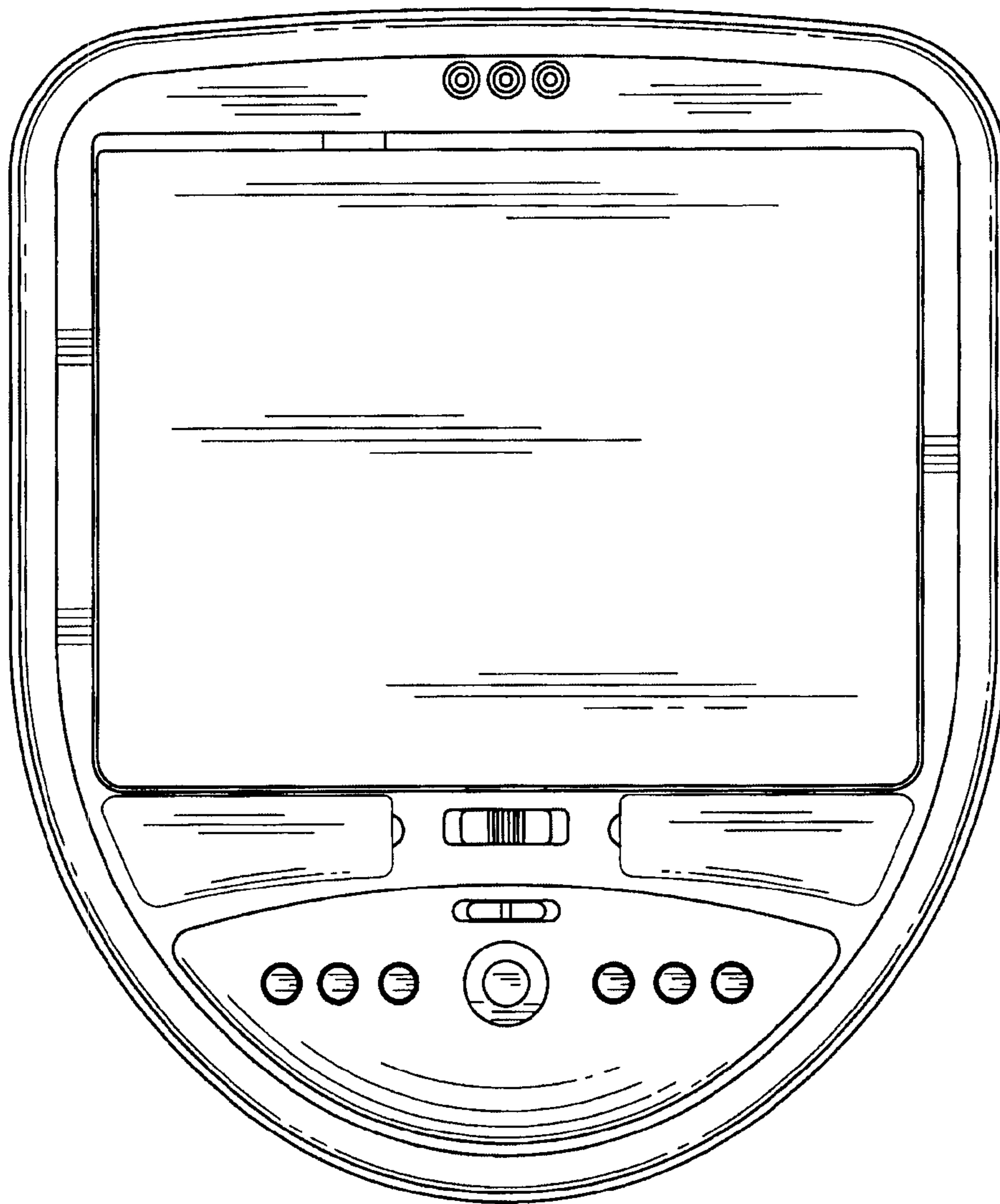
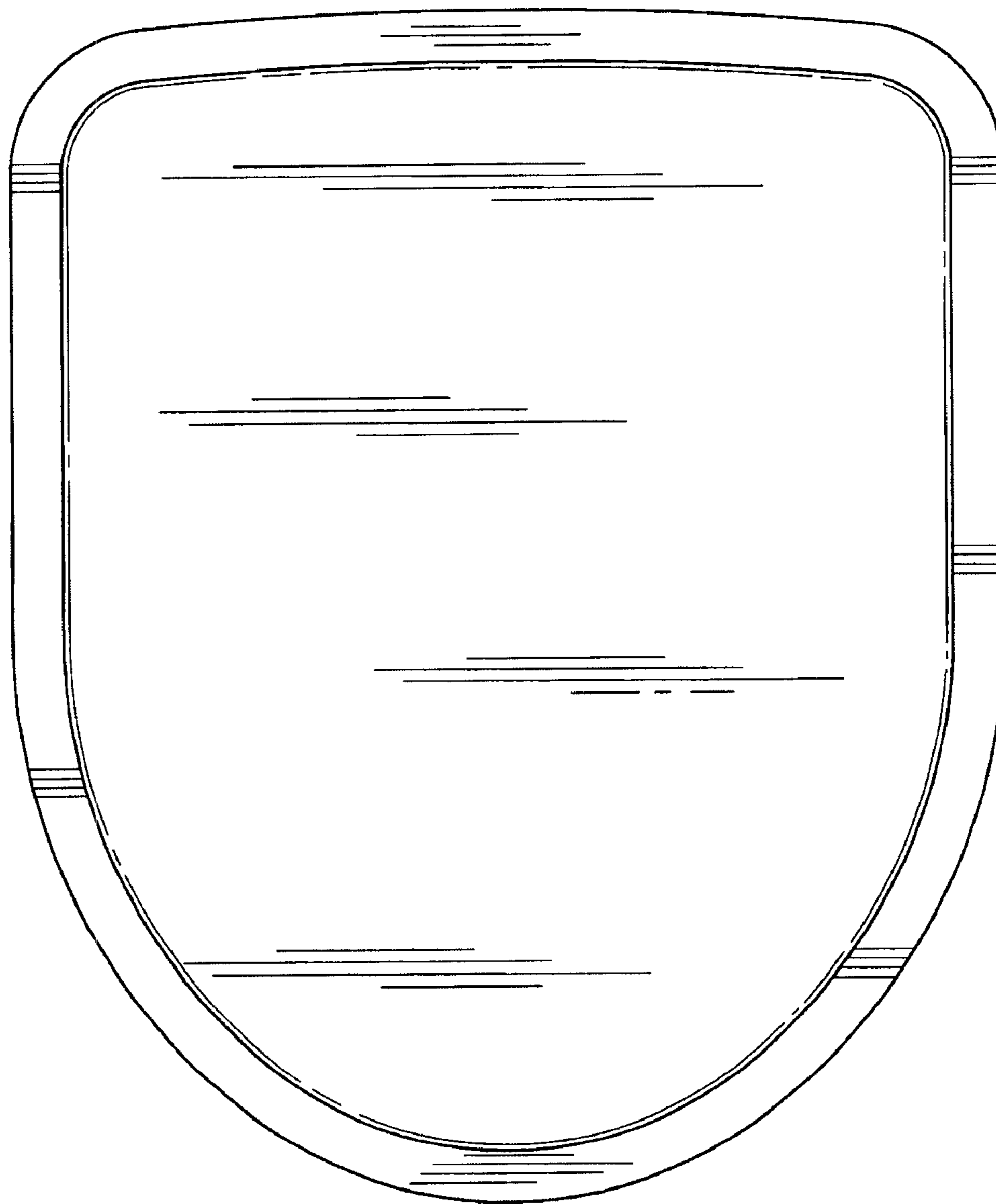
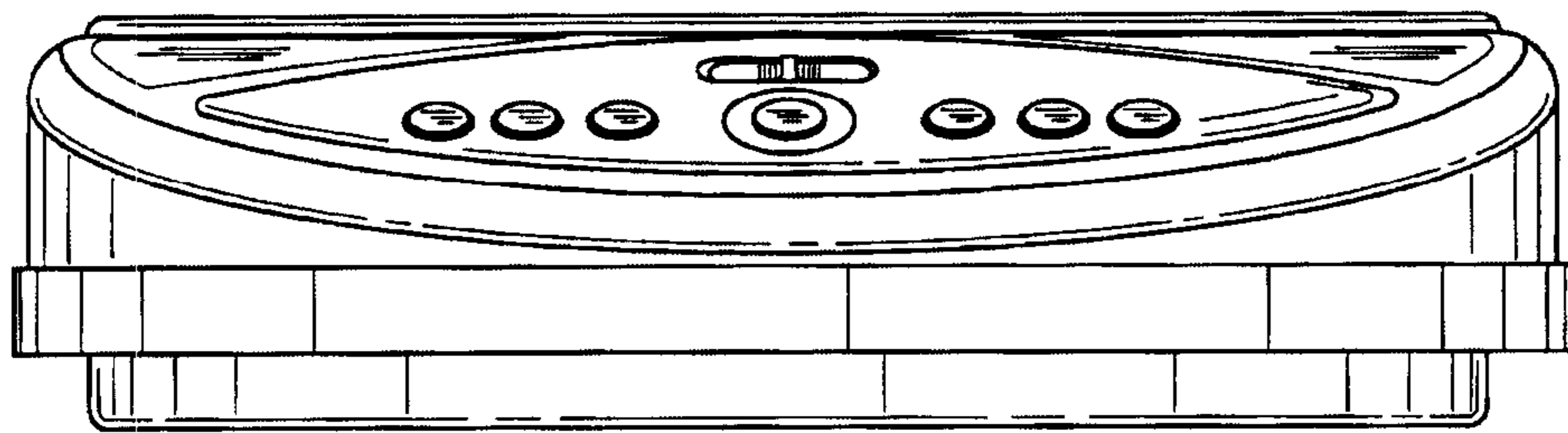


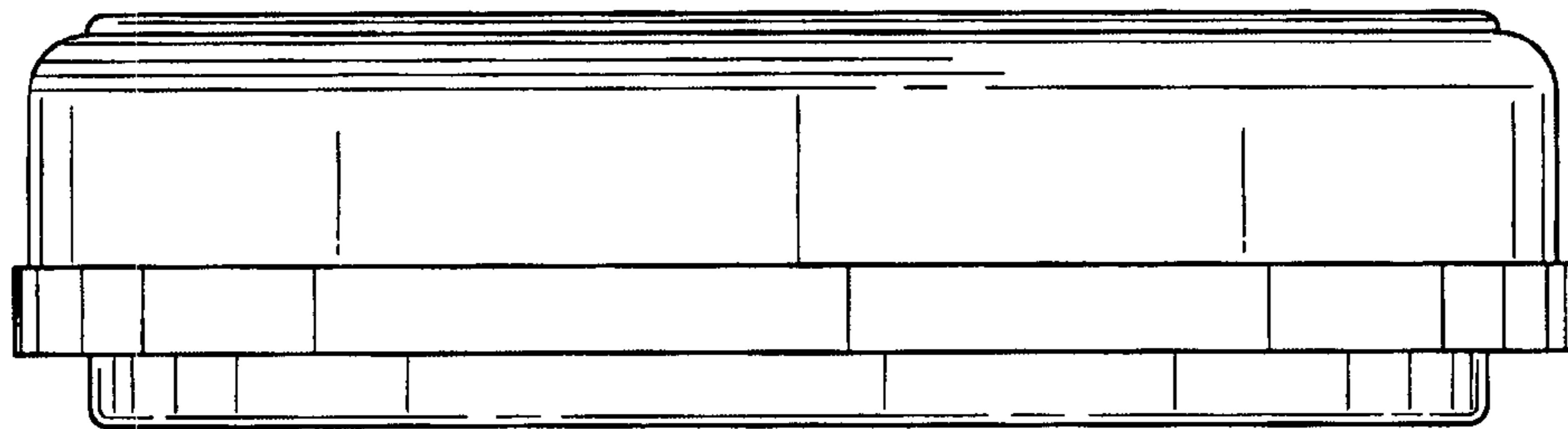
FIG. 2



*FIG. 3*



*FIG. 4*



*FIG. 5*

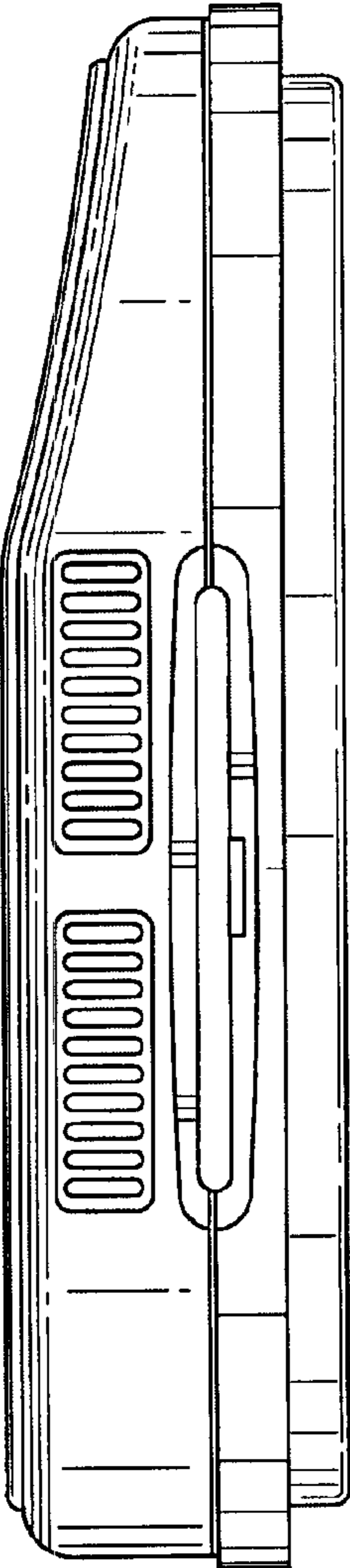


FIG. 6

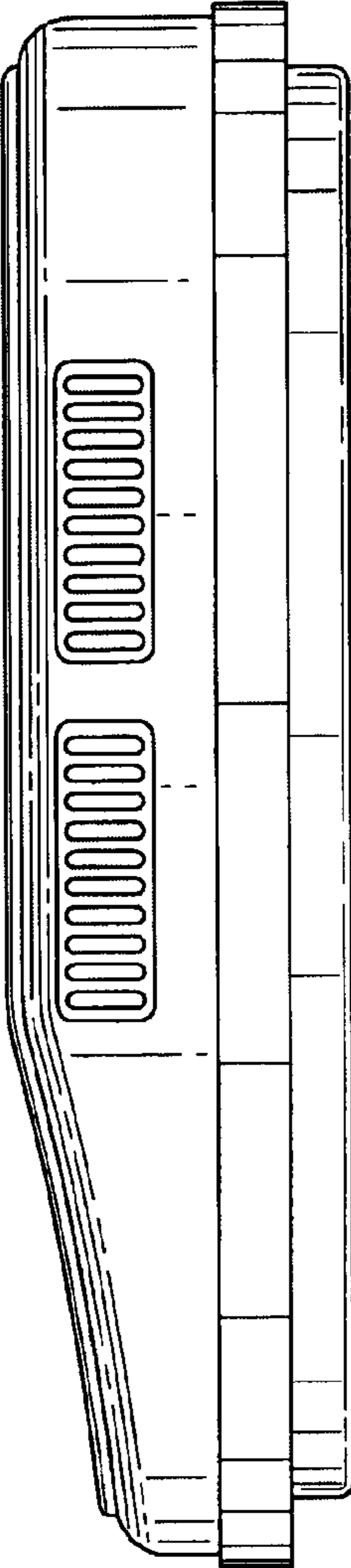


FIG. 7

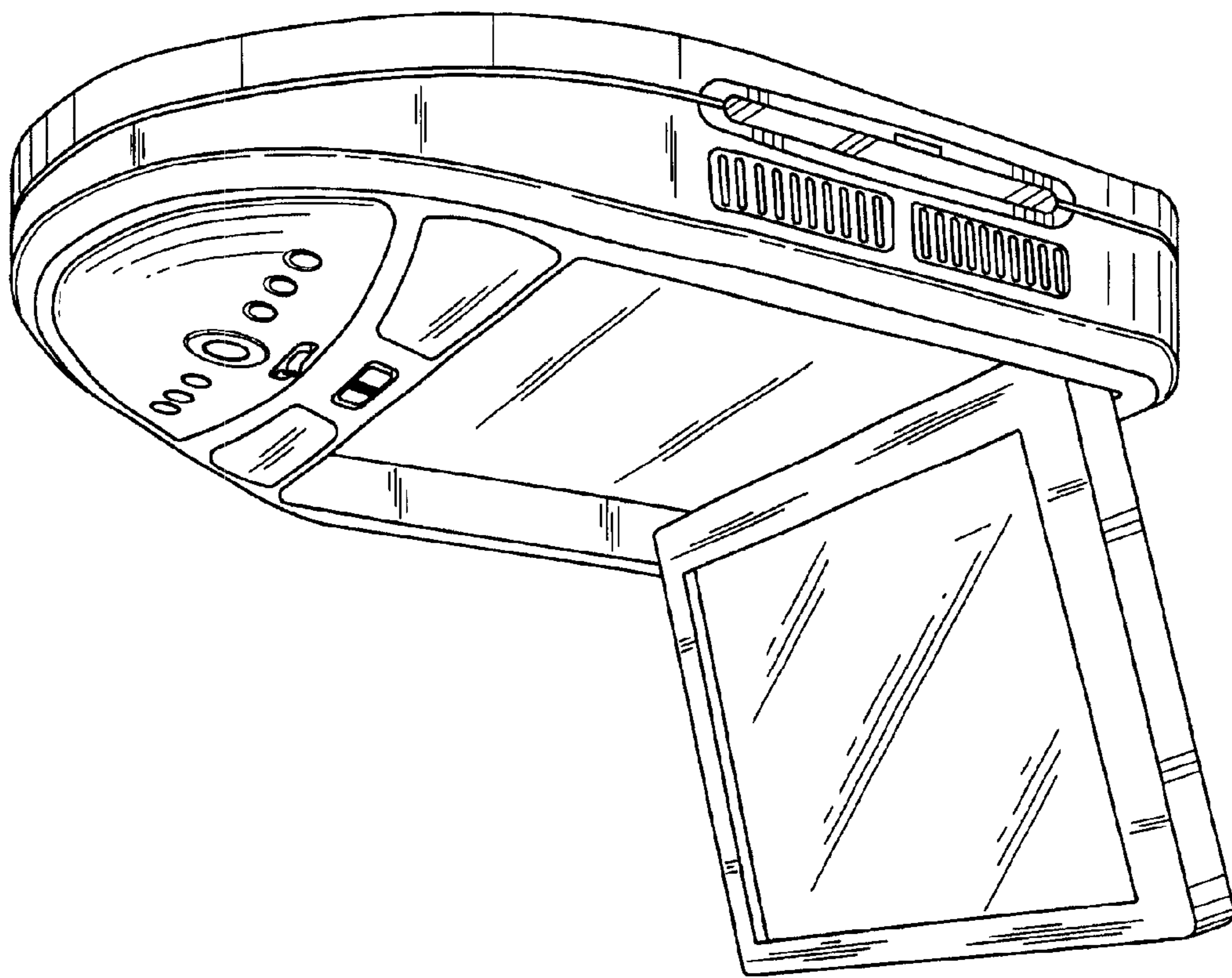


FIG. 8