

US00D529457S

(12) **United States Design Patent**
Voege

(10) **Patent No.:** **US D529,457 S**

(45) **Date of Patent:** **** Oct. 3, 2006**

(54) **TELEVISION SET**

(75) **Inventor:** **Michael Voege**, Sunnyvale, CA (US)

(73) **Assignee:** **Hannspree Inc.**, Taipei (TW)

(**) **Term:** **14 Years**

(21) **Appl. No.:** **29/238,070**

(22) **Filed:** **Sep. 9, 2005**

(51) **LOC (8) Cl.** **14-03**

(52) **U.S. Cl.** **D14/126**

(58) **Field of Classification Search** D14/125-134,
D14/239, 371, 136, 374-377; 312/7.2; 348/836,
348/838, 180, 184, 325, 739; 341/12; 248/917-924,
248/465; 345/104, 133, 156, 168, 87, 173;
720/605, 669, 600, 655; 369/99, 197; 455/344-347
See application file for complete search history.

(56) **References Cited**

U.S. PATENT DOCUMENTS

D445,417 S	*	7/2001	Lee et al.	D14/336
D468,740 S	*	1/2003	Lin	D14/375
D470,140 S	*	2/2003	Lin	D14/375
D476,004 S	*	6/2003	Olson et al.	D14/375

D478,904 S	*	8/2003	Koo et al.	D14/375
D481,390 S	*	10/2003	Wang et al.	D14/374
D481,728 S	*	11/2003	Olson et al.	D14/375
D483,365 S	*	12/2003	Olson et al.	D14/375
D483,367 S	*	12/2003	Olson et al.	D14/375

* cited by examiner

Primary Examiner—Raphael Barkai

(74) *Attorney, Agent, or Firm*—Thomas, Kayden,
Horstemeyer & Risley

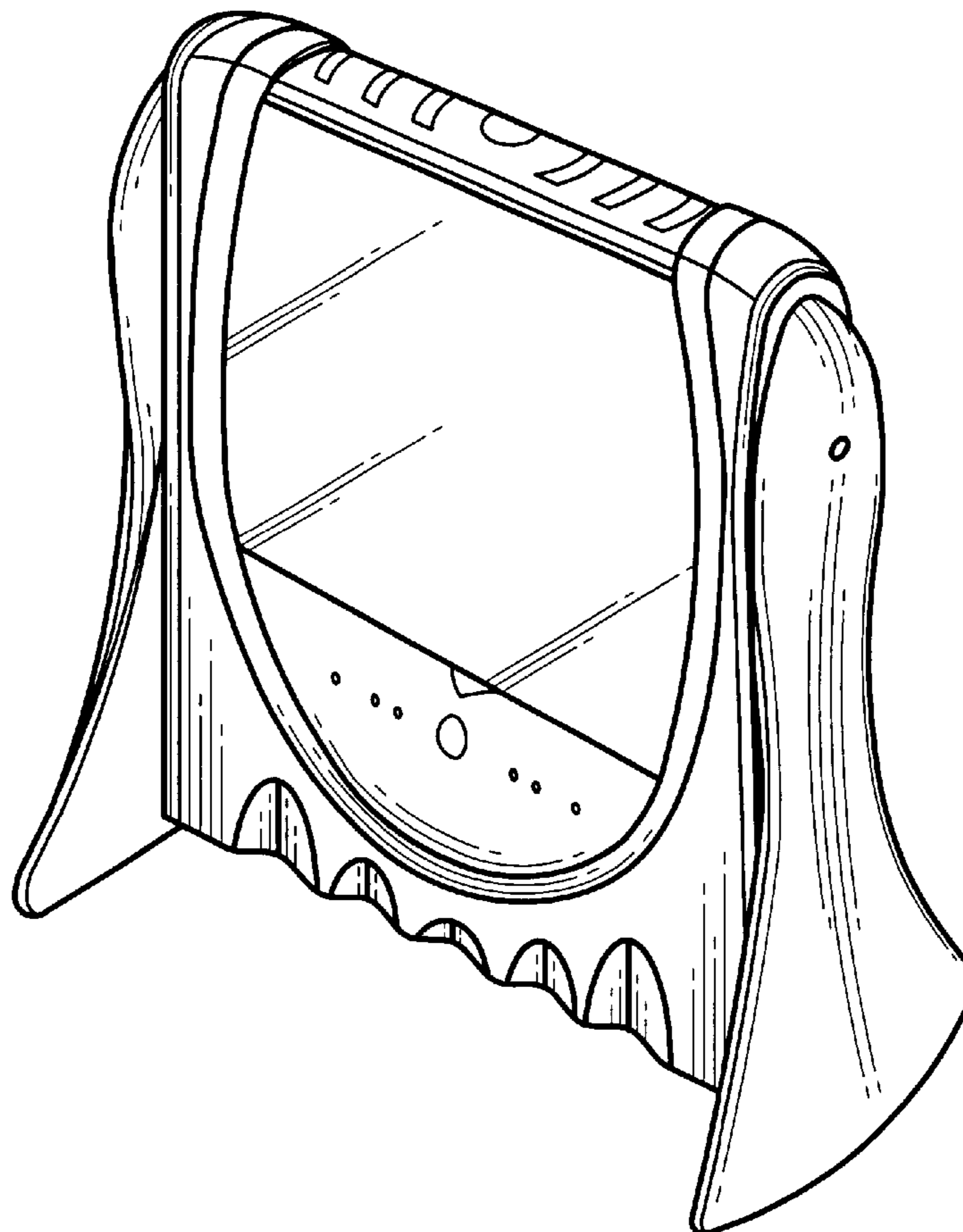
(57) **CLAIM**

The ornamental design for a television set, as shown and described.

DESCRIPTION

FIG. 1 is a front perspective view thereof;
FIG. 2 is a front elevational view thereof;
FIG. 3 is a rear elevational view thereof;
FIG. 4 is a left side elevational view thereof;
FIG. 5 is a right side elevational view thereof;
FIG. 6 is a top plan view thereof;
FIG. 7 is a bottom plan view thereof; and,
FIG. 8 is a rear perspective view thereof.

1 Claim, 5 Drawing Sheets



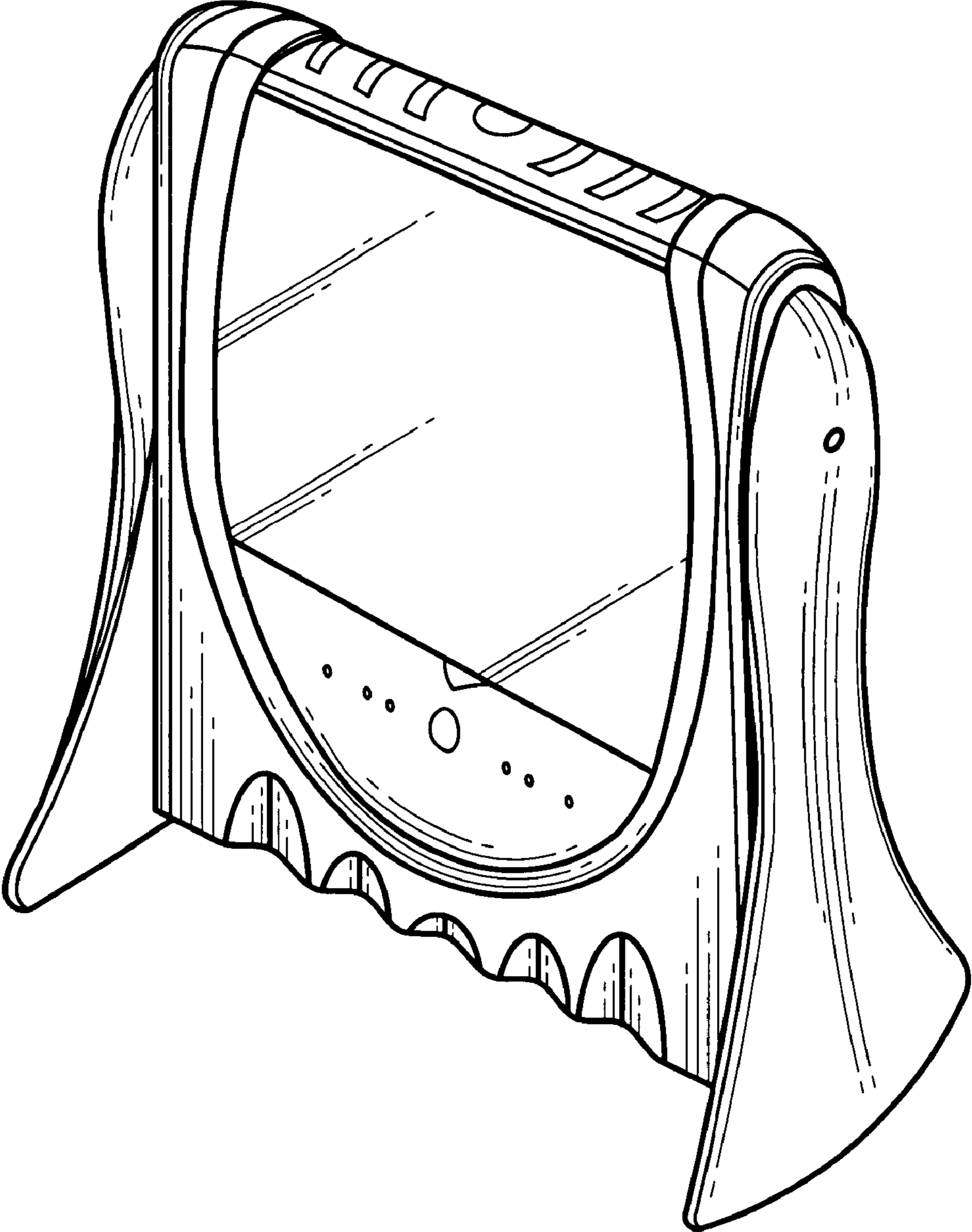


FIG. 1

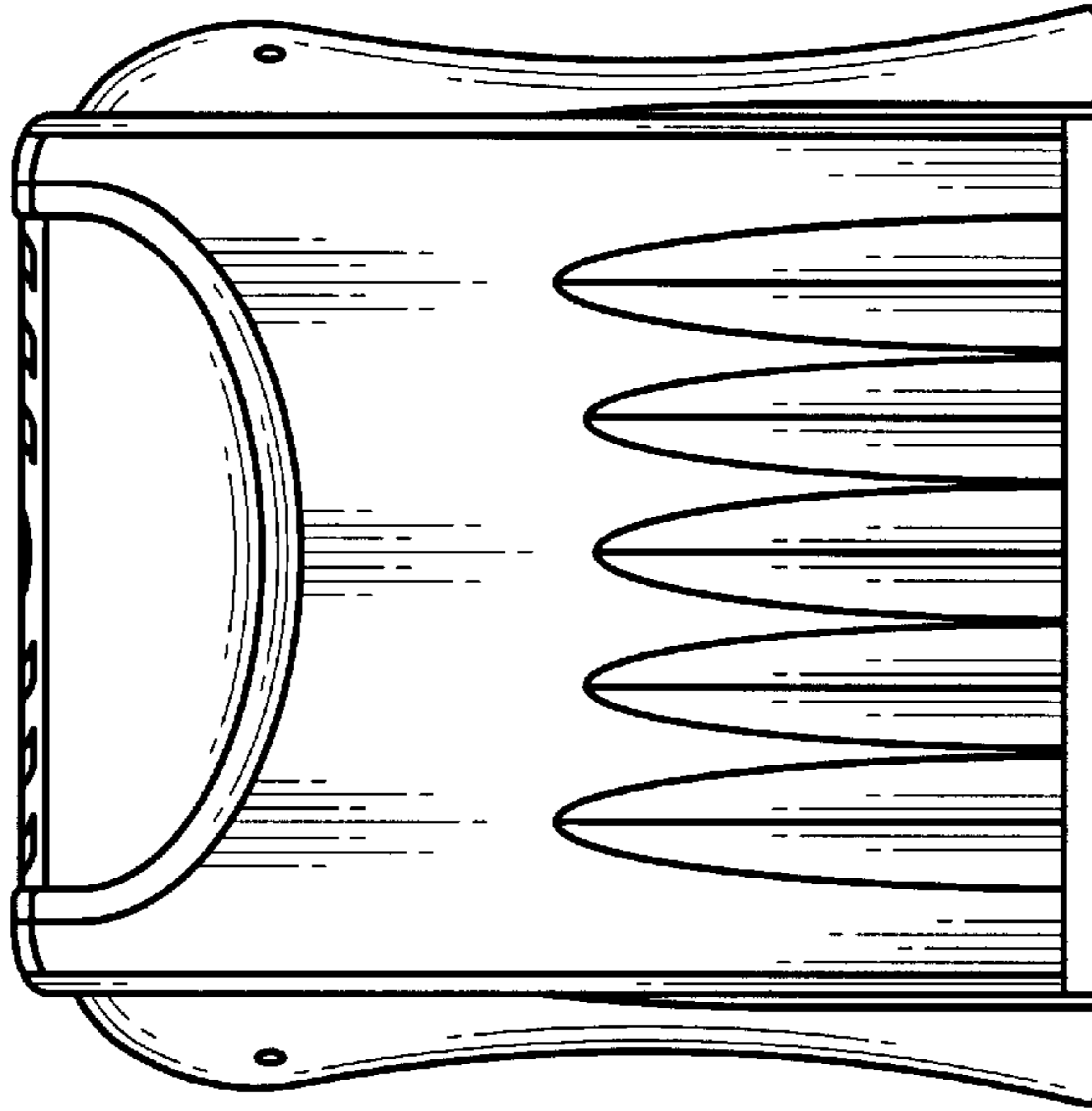


FIG. 2

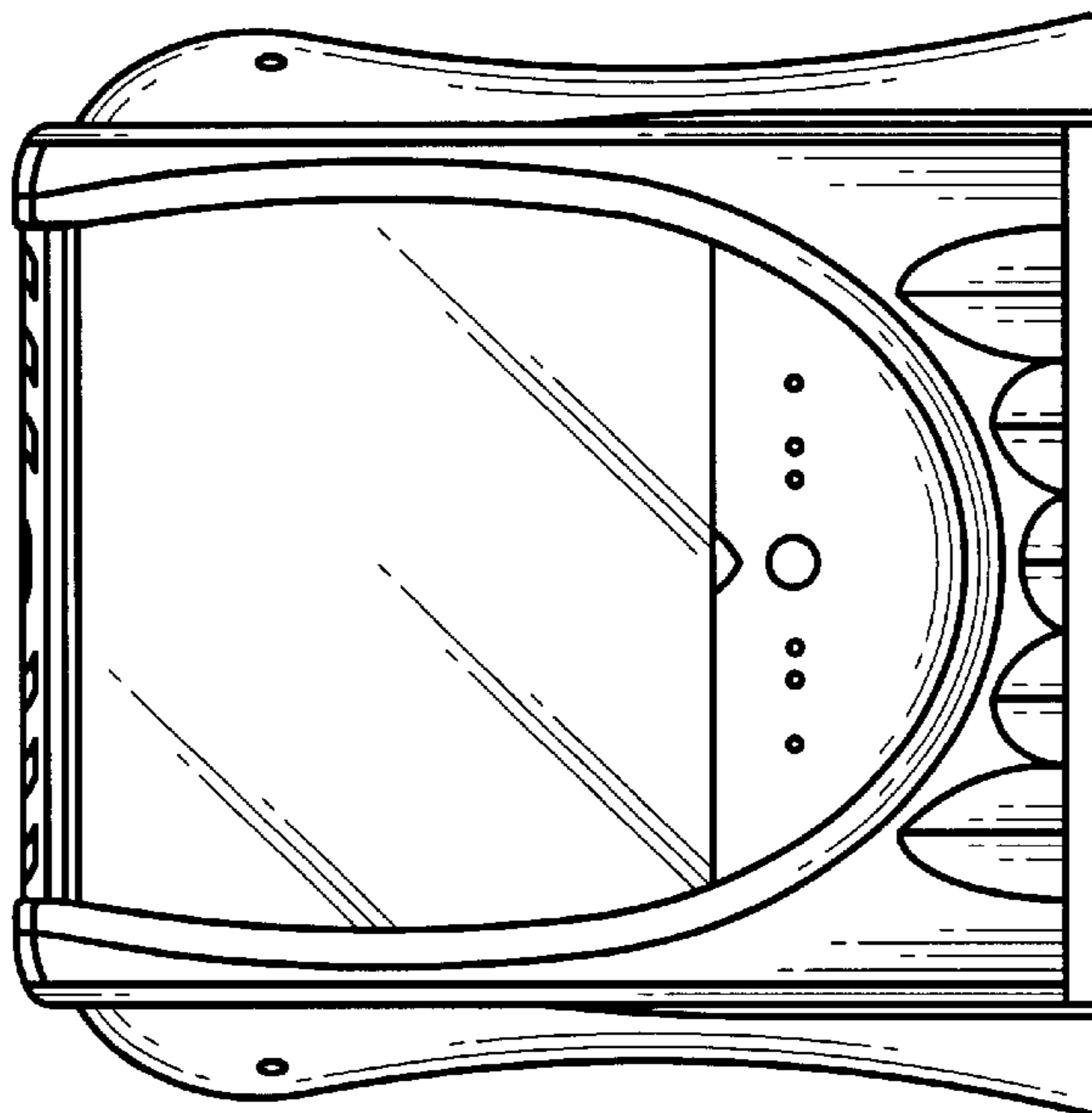


FIG. 3

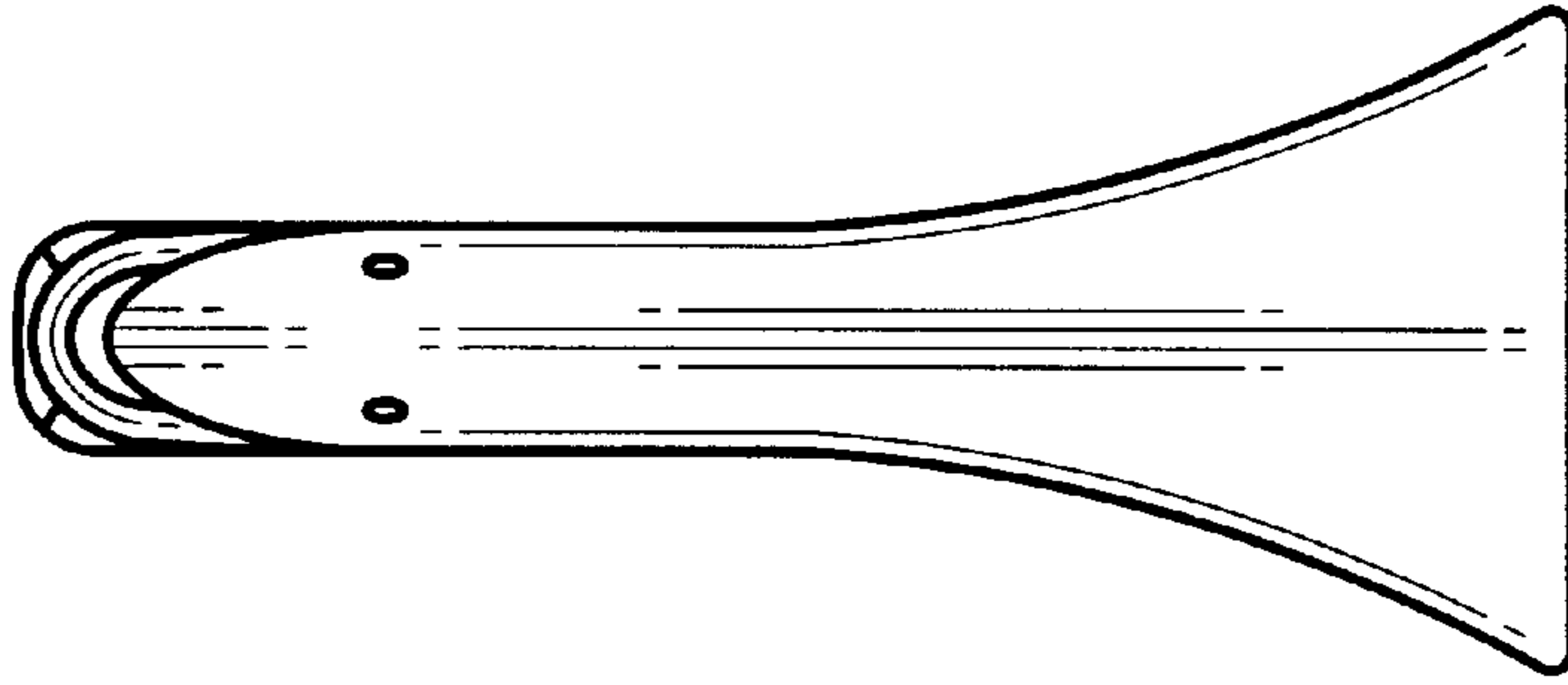


FIG. 5

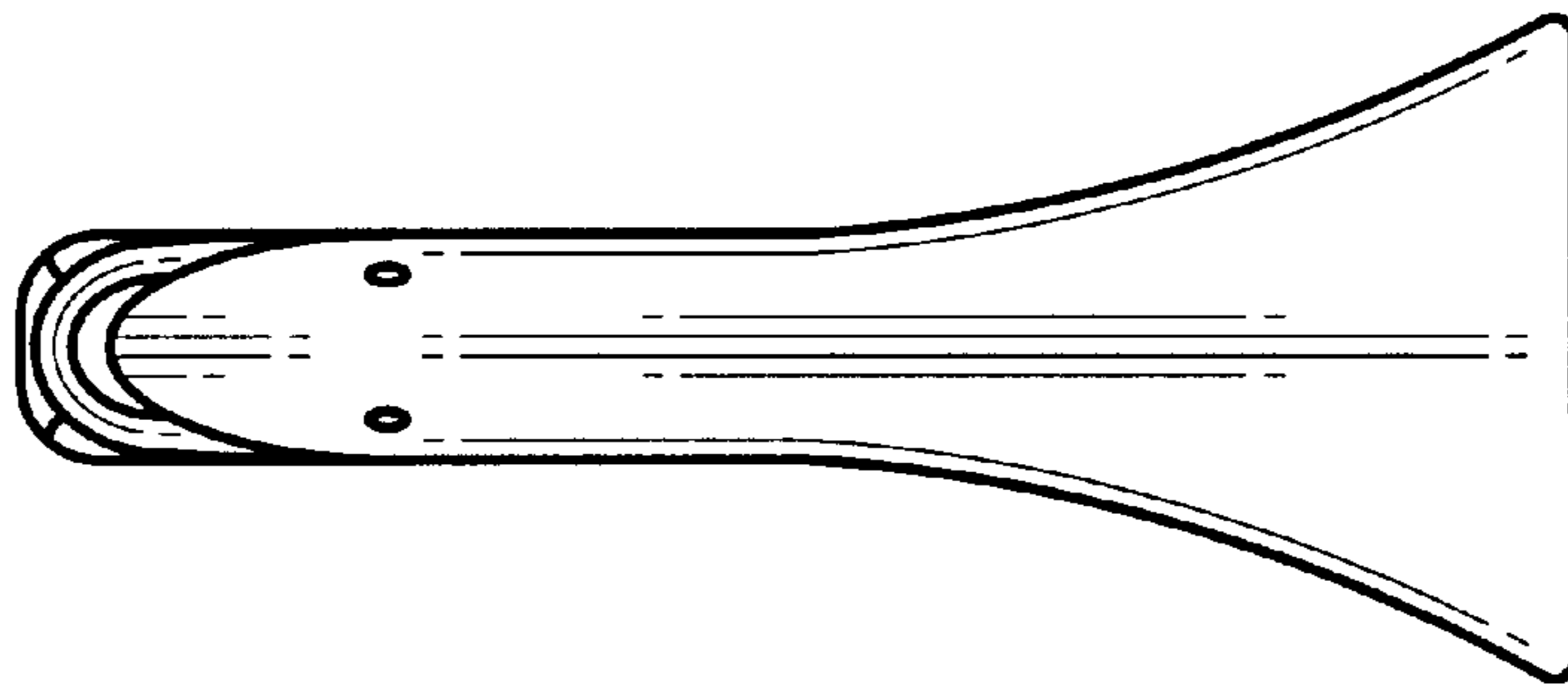


FIG. 4

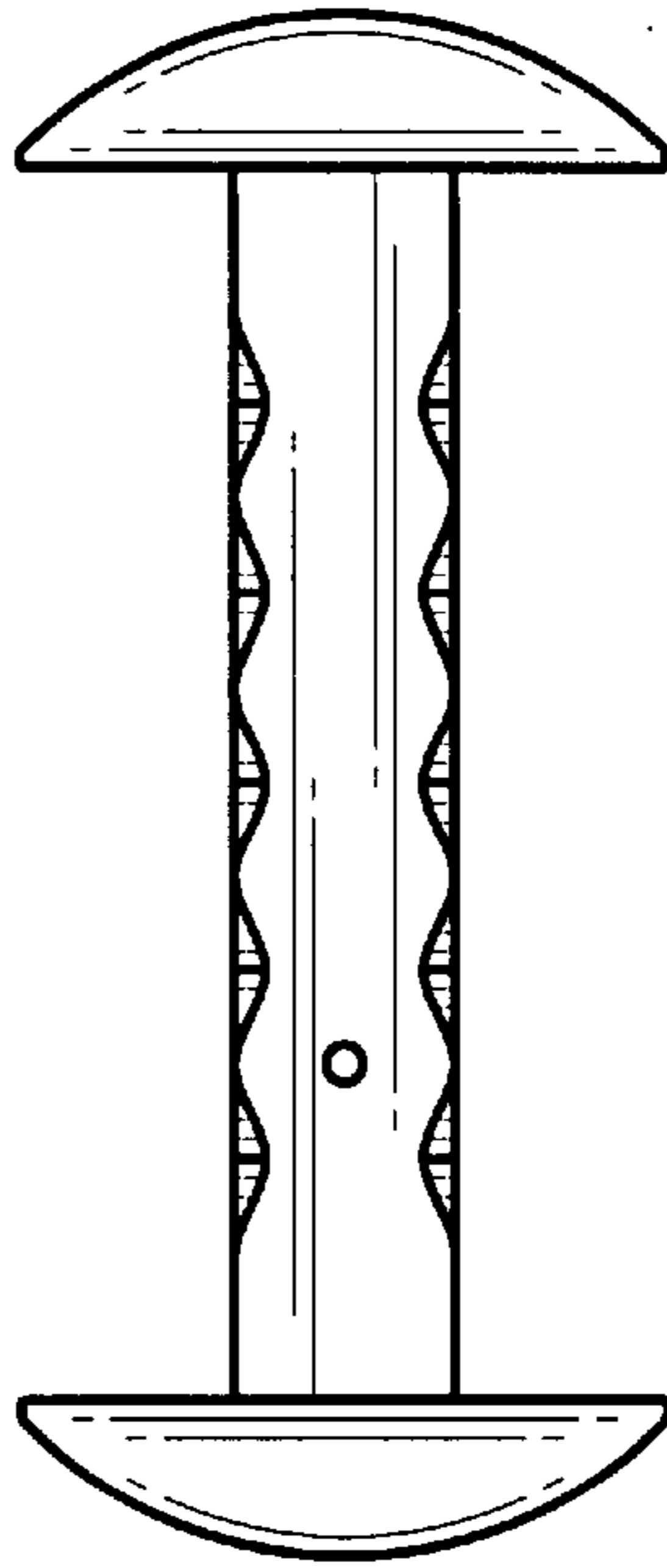


FIG. 7

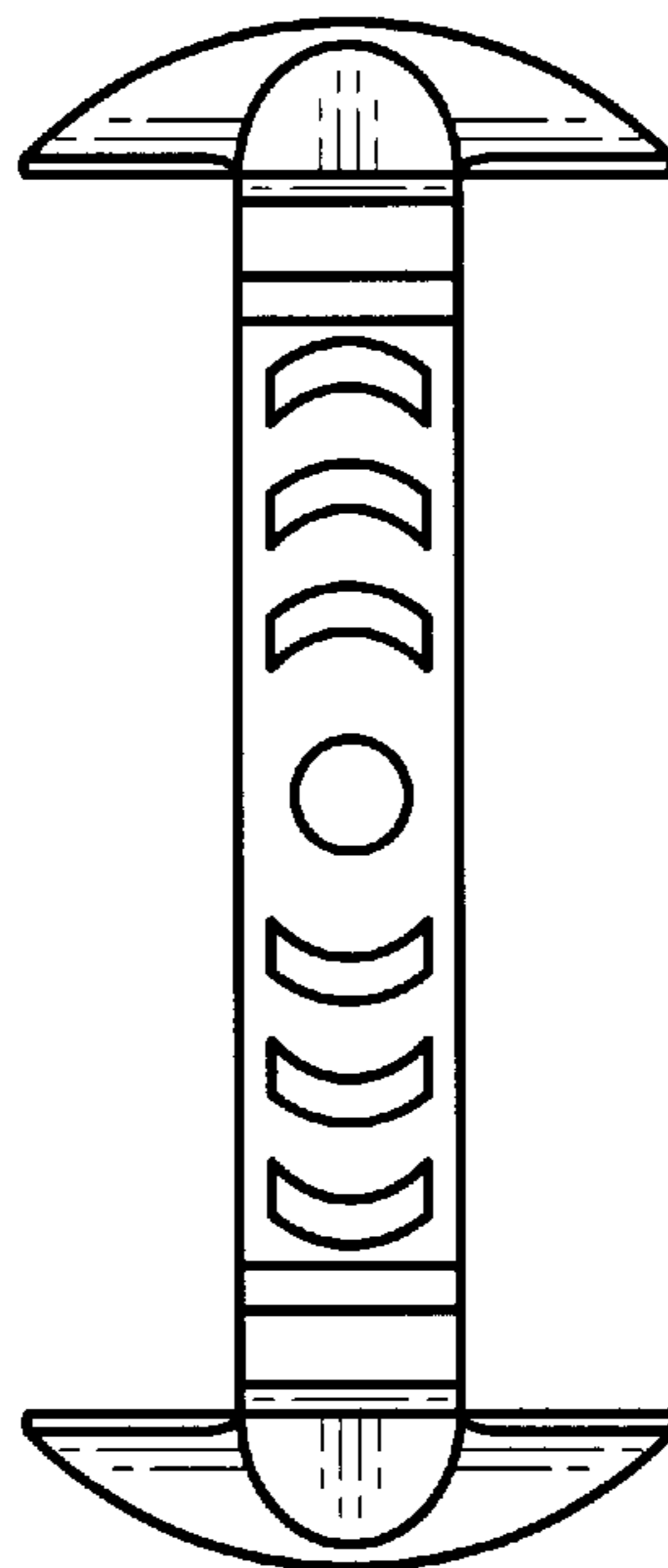


FIG. 6

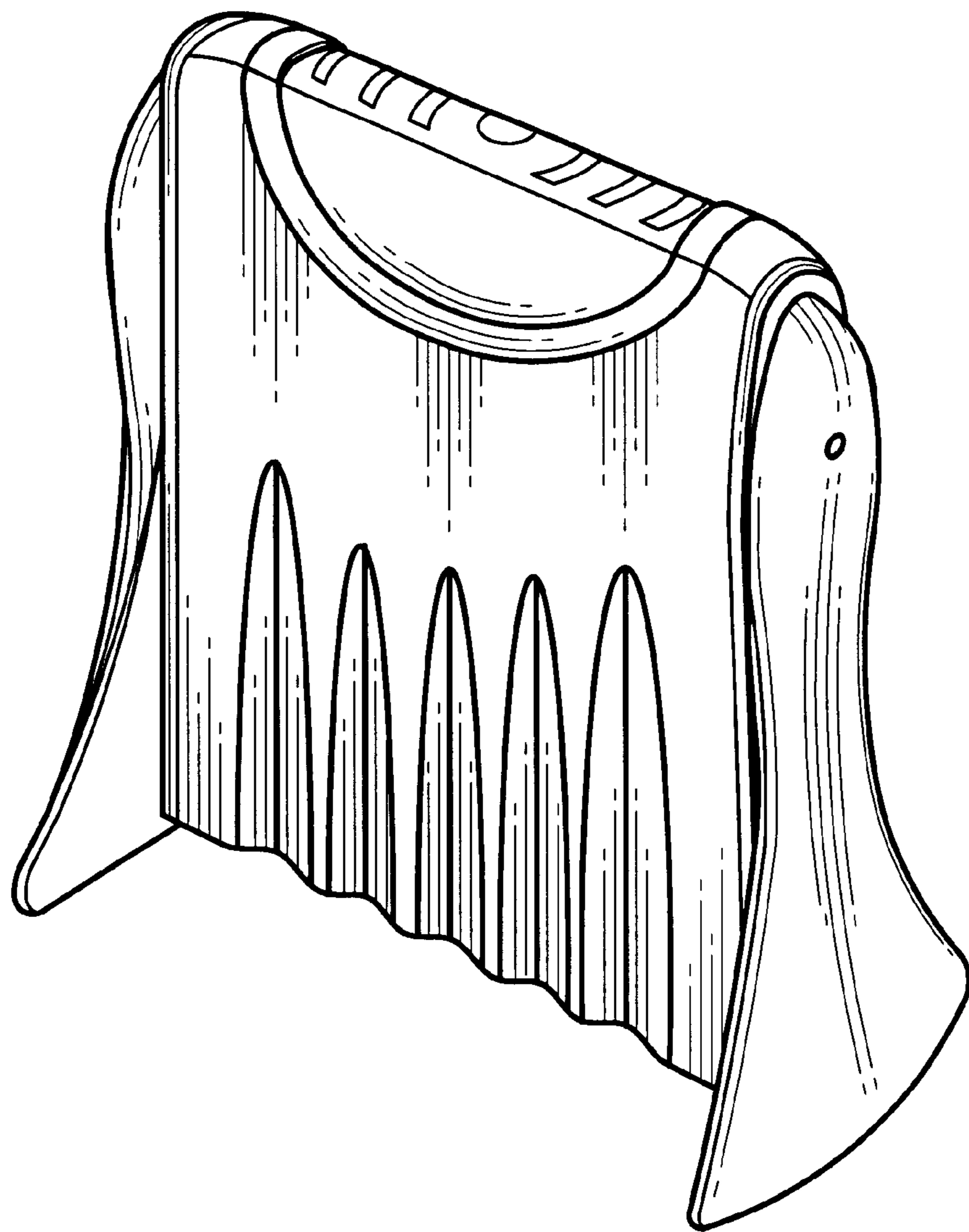


FIG. 8