



US00D529453S

(12) **United States Design Patent**
Schurr et al.

(10) **Patent No.:** **US D529,453 S**

(45) **Date of Patent:** **** Oct. 3, 2006**

(54) **HOUSING**

(75) Inventors: **Larry Edward Schurr**, Elgin, IL (US);
Jay John Bolante, Chicago, IL (US);
John Harty Brandenburg, Skokie, IL
(US); **Dale Charles Corel**, Elk Grove,
IL (US); **Carlos Delgado**, Chicago, IL
(US); **Jamie Kim**, Northbrook, IL (US);
Maureen Patricia White, Chicago, IL
(US)

(73) Assignee: **EGS Electrical Group, LLC**,
Rosemont, IL (US)

(**) Term: **14 Years**

(21) Appl. No.: **29/199,117**

(22) Filed: **Feb. 10, 2004**

(51) **LOC (8) Cl.** **13-03**

(52) **U.S. Cl.** **D13/184**; D13/110; D13/162

(58) **Field of Classification Search** D13/110,
D13/123, 158, 162, 184; 307/64, 65, 66;
361/600, 601, 622, 679, 692, 707, 715, 724,
361/728-730; 363/15, 132, 141, 146; 403/286
See application file for complete search history.

(56) **References Cited**

U.S. PATENT DOCUMENTS

D281,315 S	11/1985	Kjeld	
D284,959 S	8/1986	Berg	
4,931,898 A	6/1990	Cole	
5,103,373 A	4/1992	Rusch et al.	
D358,369 S	5/1995	Shimizu et al.	
5,483,229 A	1/1996	Tamura et al.	
D376,329 S	12/1996	Youabian	
D376,350 S	12/1996	Worley et al.	
D394,642 S	5/1998	Bender	
D394,842 S	* 6/1998	Kellstedt et al. D13/162
D400,513 S	11/1998	Seirio	
D402,275 S	12/1998	Korhonen	
D408,796 S	4/1999	Georgopoulos	
D408,823 S	4/1999	Kirby	
5,904,592 A	5/1999	Baran et al.	
D424,529 S	5/2000	Raspotnig	

6,172,875 B1	1/2001	Suzuki et al.	
D442,923 S	5/2001	Raspotnig	
6,292,076 B1	9/2001	DeGrazia et al.	
6,418,027 B1	7/2002	Suzuki et al.	
6,431,909 B1	8/2002	Nolden et al.	
6,543,957 B1	4/2003	Raspotnig	
D483,329 S	* 12/2003	Kuo D13/110
D494,142 S	* 8/2004	Schon D13/162
D511,137 S	* 11/2005	Tuomola et al. D13/110

FOREIGN PATENT DOCUMENTS

DE	196 46 696 C 1	11/1996
DE	201 08 417 U 1	5/2001
EP	1 189 320 A 2	3/2002

OTHER PUBLICATIONS

Advertisement: "We've always made getting the right Power Supply Easy. Now it's a SNAP."; Feb. 1998, edition of The Electrical Distributor, 1 page.

* cited by examiner

Primary Examiner—Selina Sikder

(74) *Attorney, Agent, or Firm*—Harness, Dickey & Pierce, P.L.C.

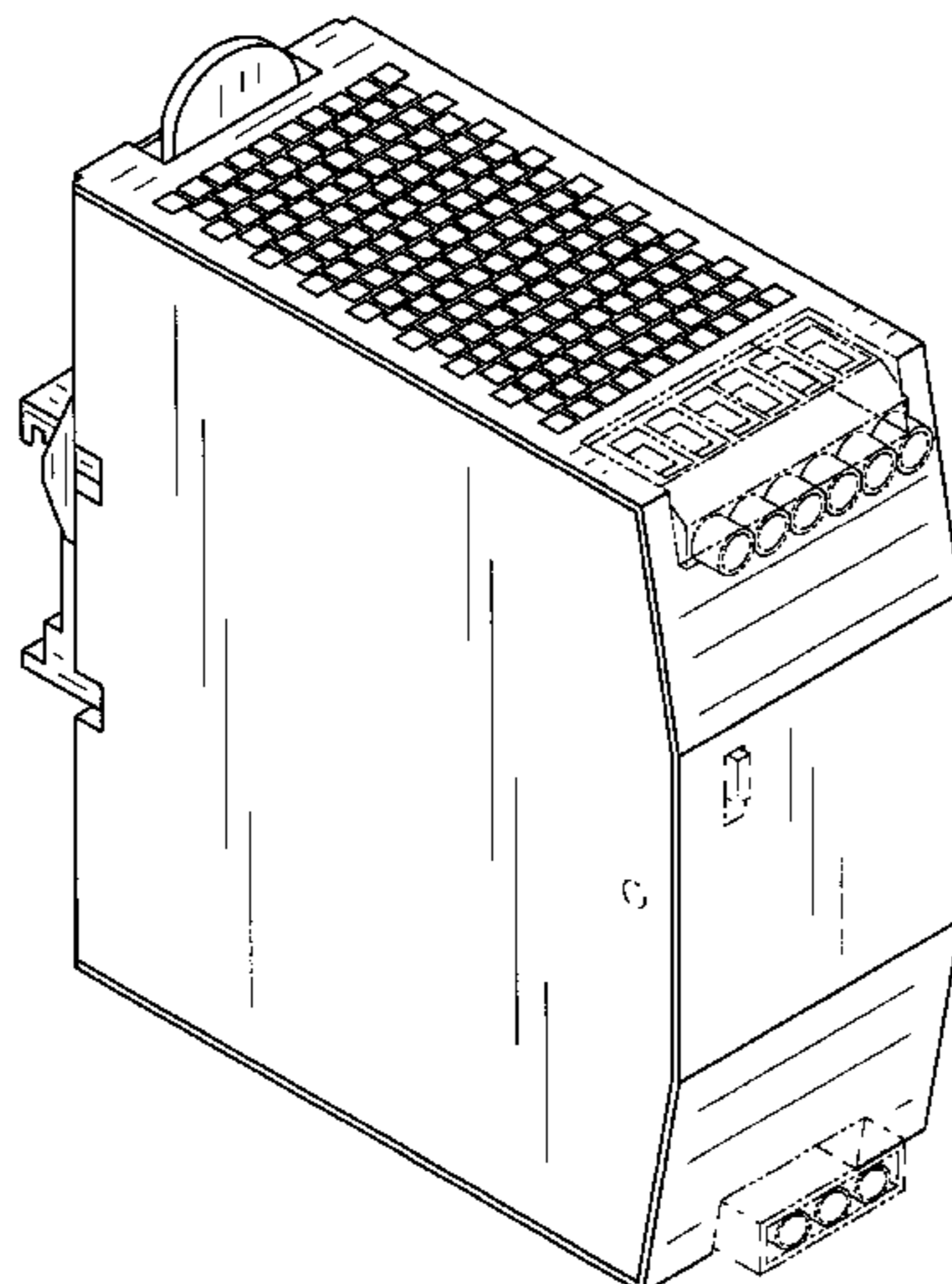
(57) **CLAIM**

The ornamental design of a housing, as shown and described.

DESCRIPTION

FIG. 1 is a front perspective view of the housing, showing my new design;
FIG. 2 is a rear perspective view thereof;
FIG. 3 is a front elevation view thereof;
FIG. 4 is a rear elevation view thereof;
FIG. 5 is a left elevation view thereof;
FIG. 6 is a right elevation view thereof;
FIG. 7 is a top plan view thereof;
FIG. 8 is a bottom plan view thereof; and,
FIG. 9 is a perspective view illustrating the housing mounted to a rail.
The details shown in broken lines are for illustrative purposes only and form no part of the claimed design.

1 Claim, 7 Drawing Sheets



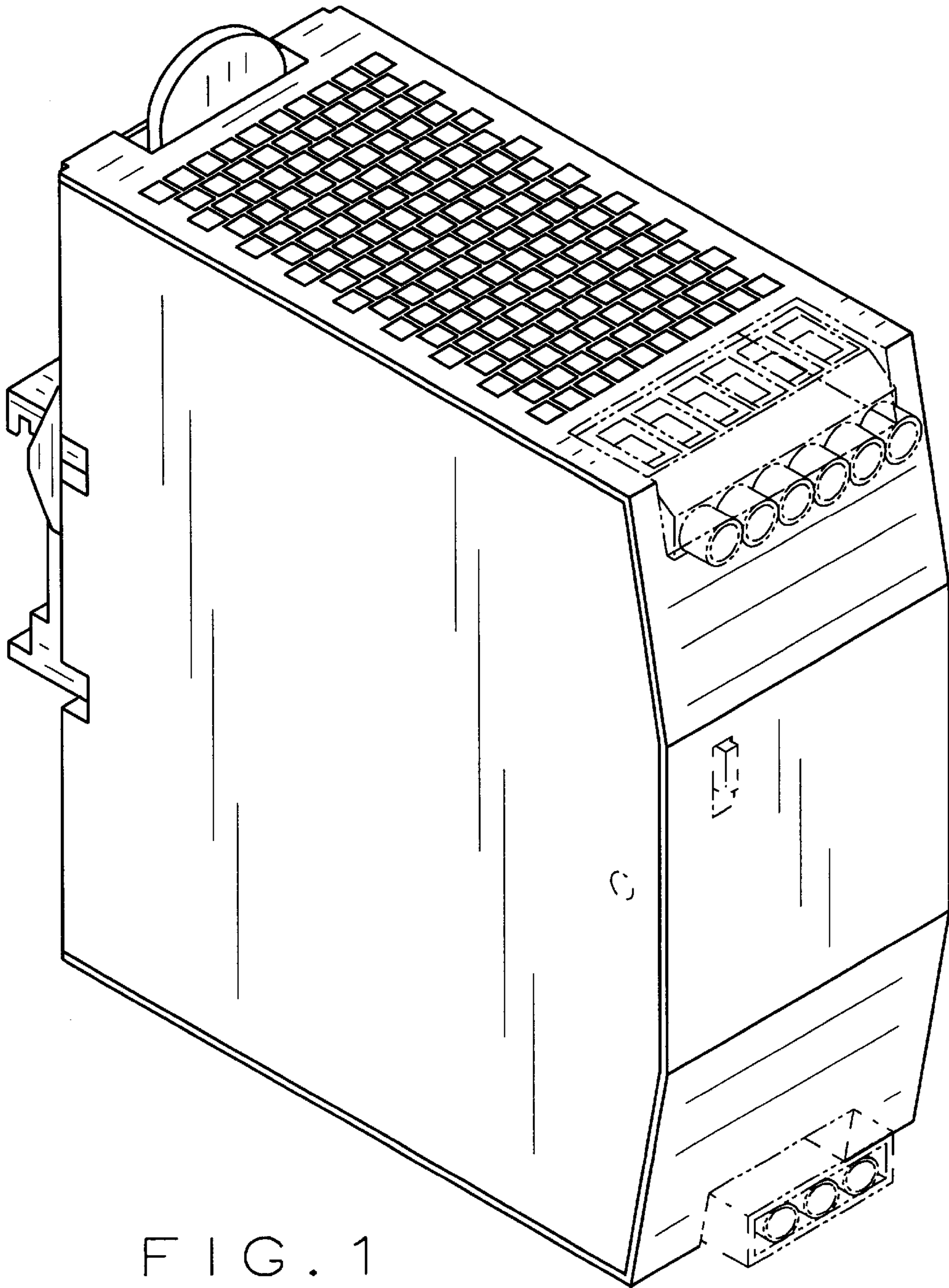


FIG. 1

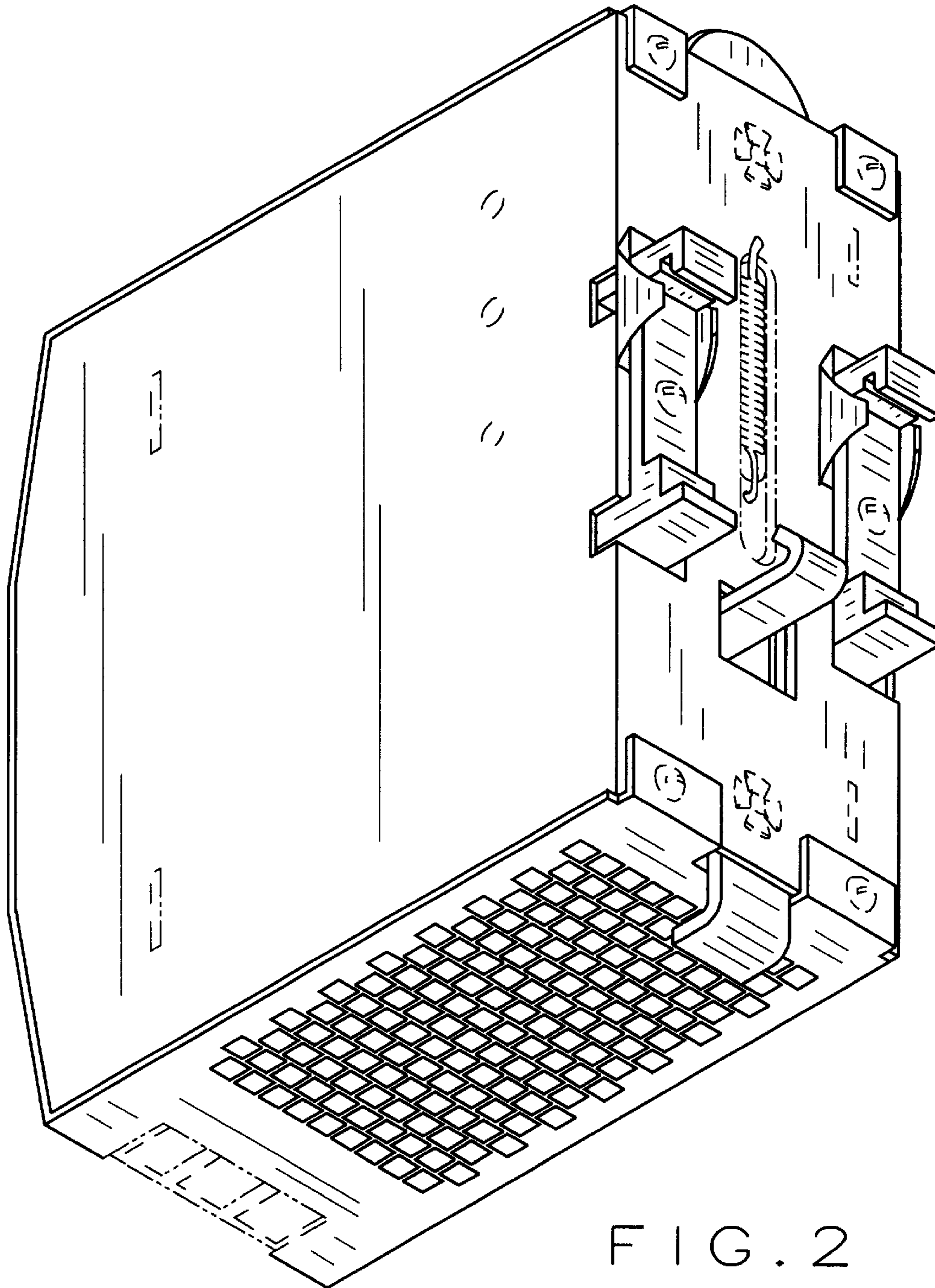


FIG. 2

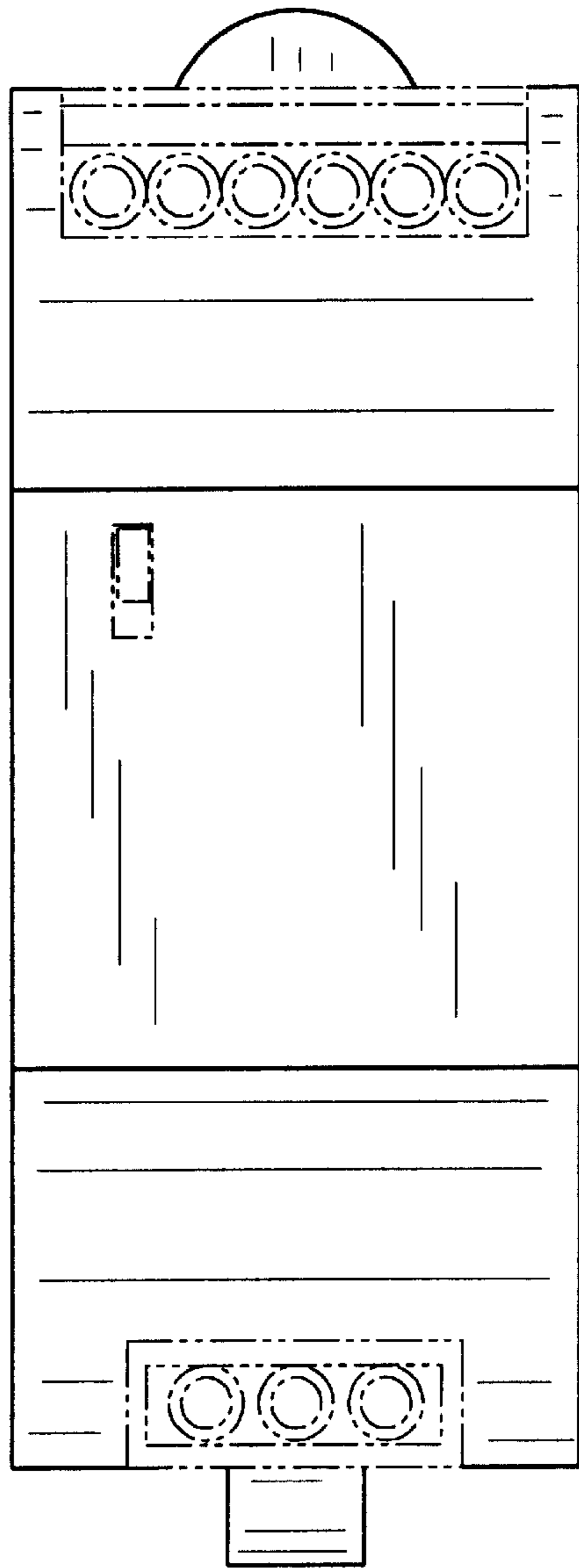


FIG. 3

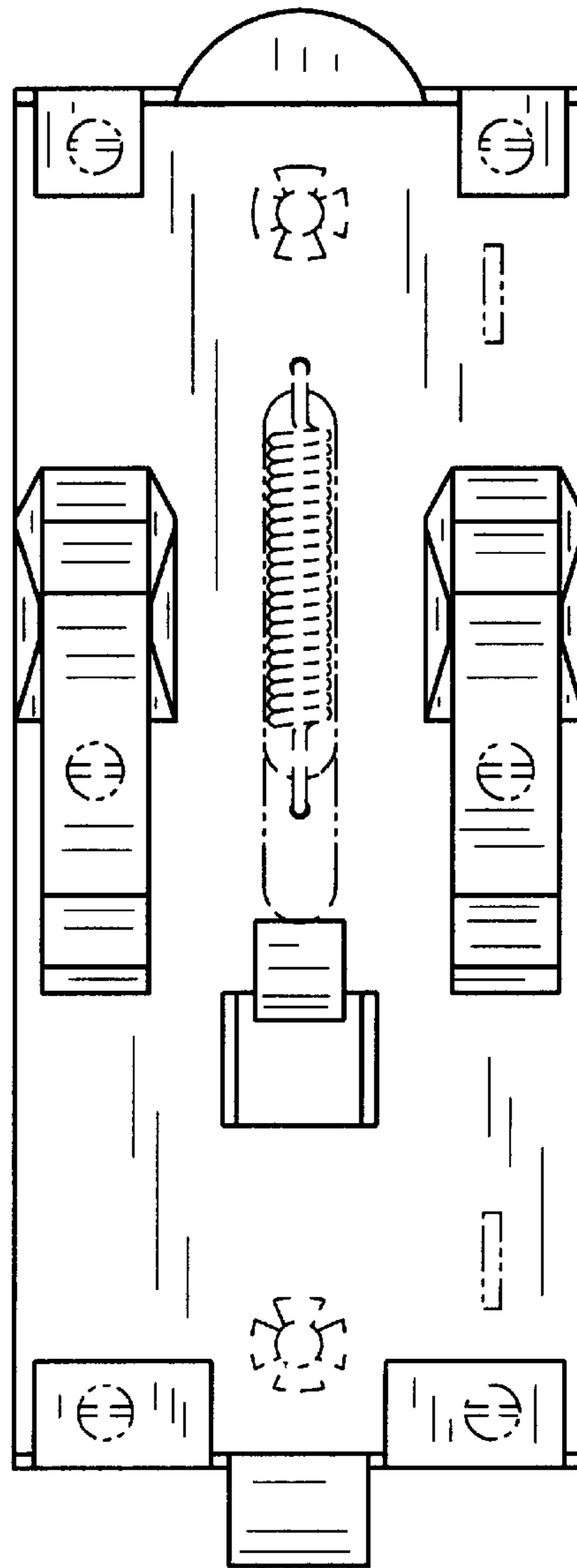


FIG. 4

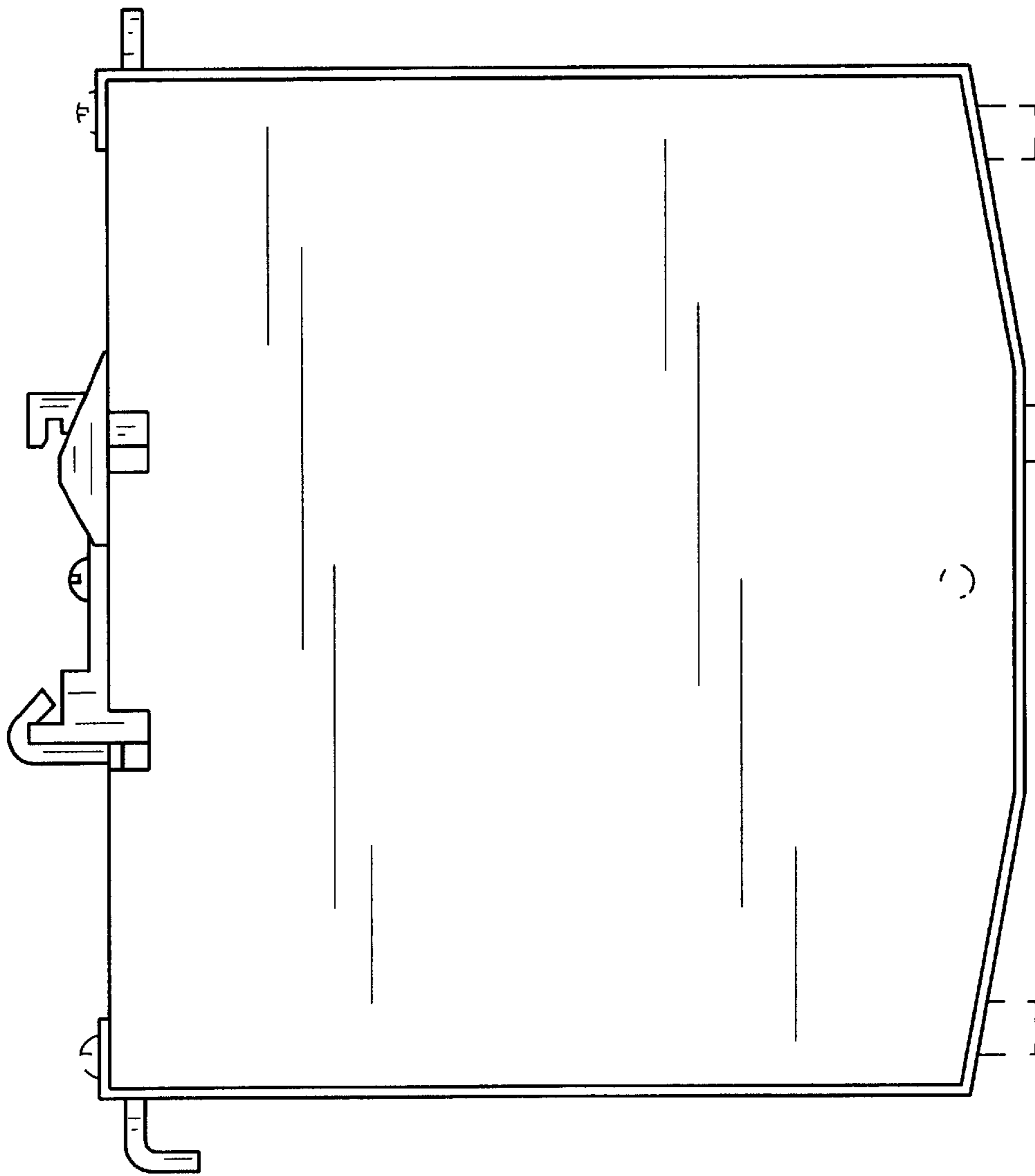


FIG. 5

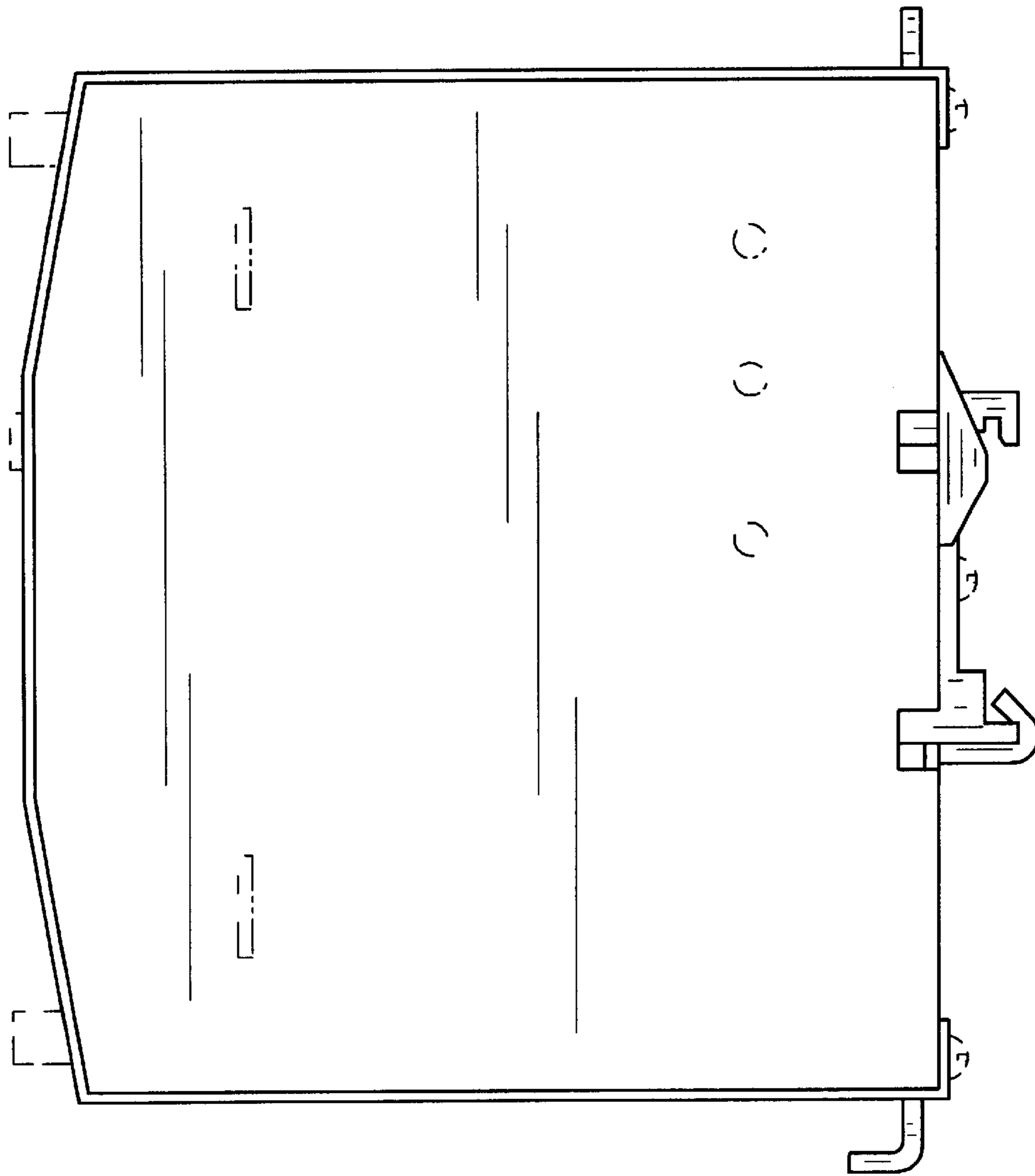


FIG. 6

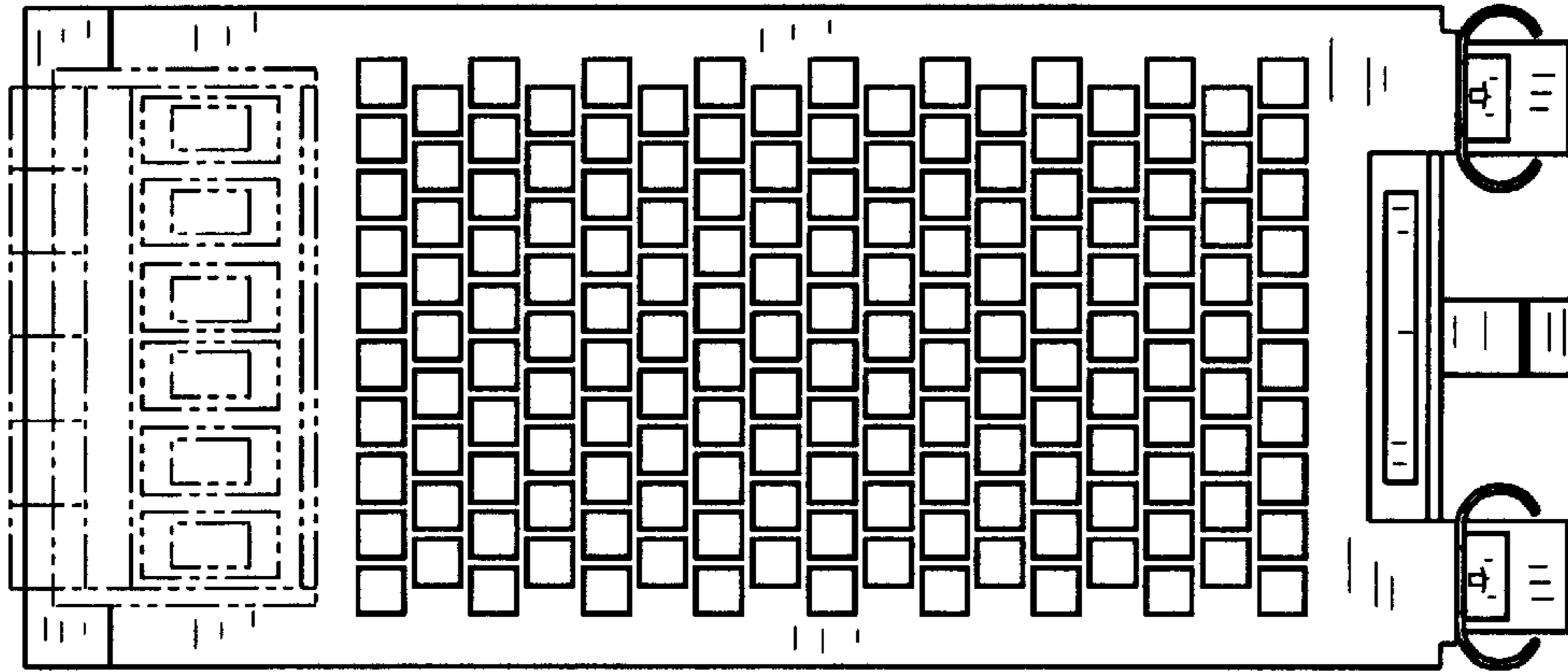


FIG. 7

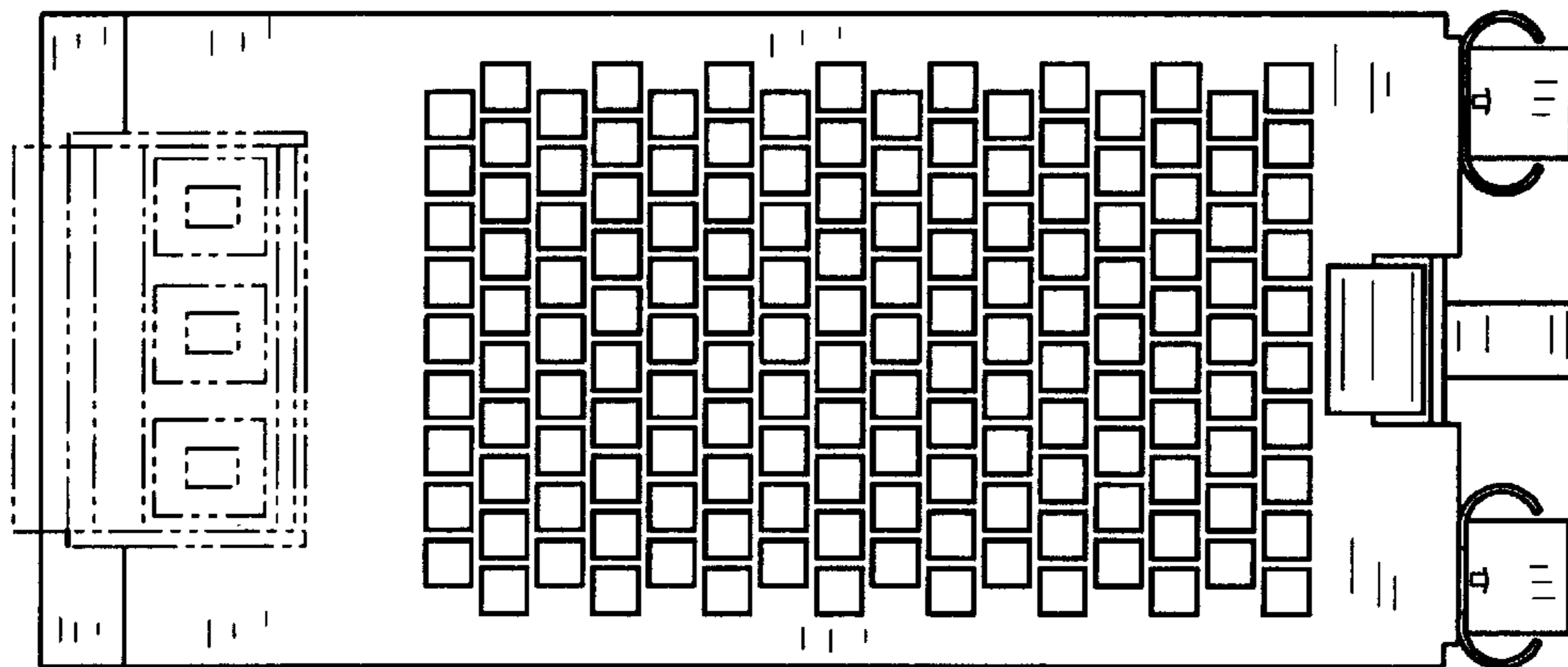


FIG. 8

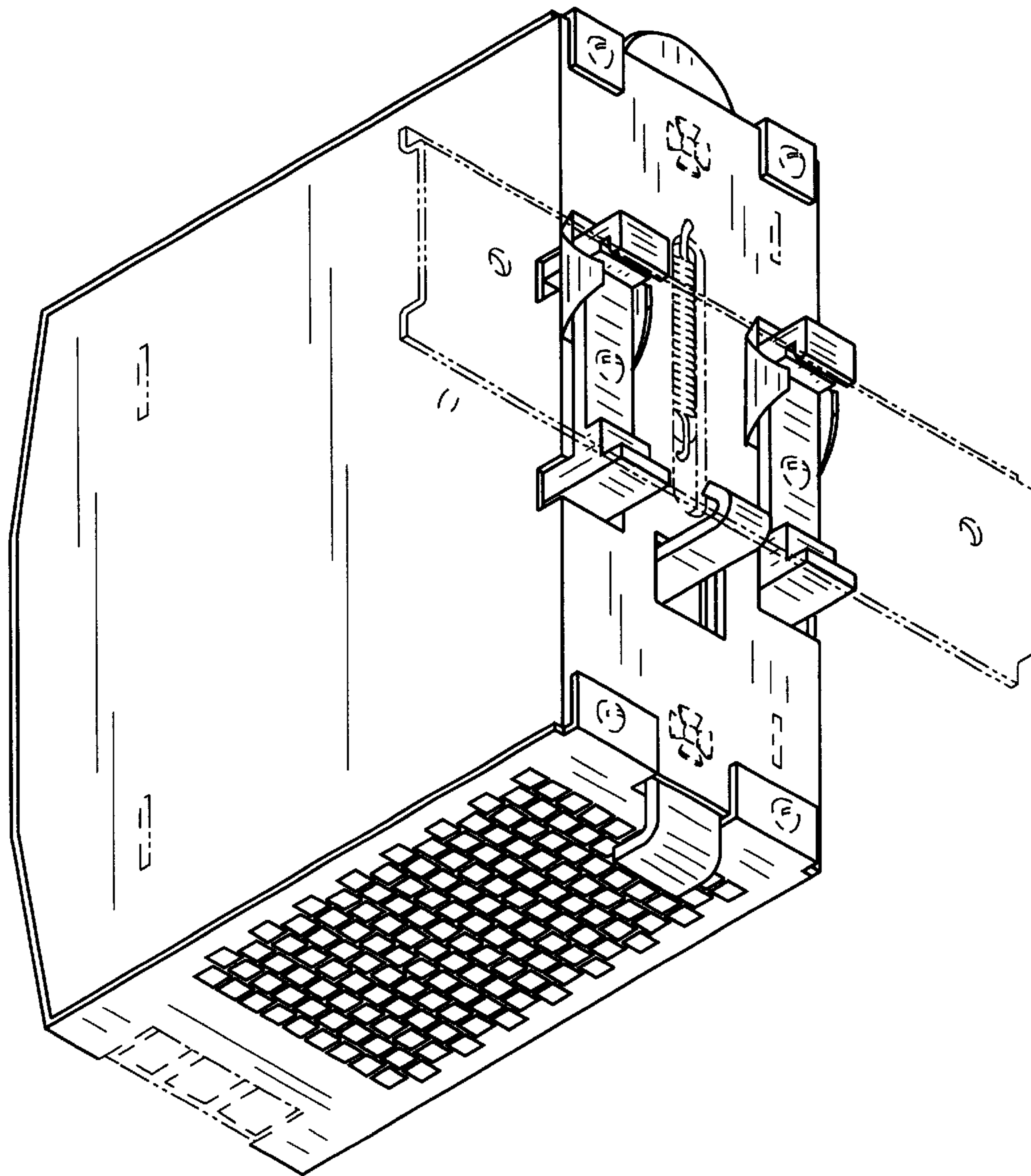


FIG. 9