



US00D529451S

(12) **United States Design Patent**
Kim et al.

(10) **Patent No.:** **US D529,451 S**

(45) **Date of Patent:** **** Oct. 3, 2006**

(54) **LIGHT EMITTING DIODE (LED)**

(75) Inventors: **Nam Young Kim**, Seoul (KR); **Kyoung Bo Han**, Seoul (KR); **Myoung Hee Lee**, Ansan-si (KR)

(73) Assignee: **Seoul Semiconductor Co. Ltd.** (KR)

(**) Term: **14 Years**

(21) Appl. No.: **29/236,947**

(22) Filed: **Aug. 23, 2005**

(30) **Foreign Application Priority Data**

May 13, 2005 (KR) 30-2005-0015968

(51) **LOC (8) Cl.** **13-03**

(52) **U.S. Cl.** **D13/180**

(58) **Field of Classification Search** D13/180;
D26/2; 257/79, 80, 81, 82, 88, 89, 95, 98,
257/99, 100, 678, 680, 433, 434; 313/483,
313/498, 500; 361/820; 362/235, 555, 800;
372/45.01

See application file for complete search history.

(56) **References Cited**

U.S. PATENT DOCUMENTS

D478,877 S * 8/2003 Hoshiba D13/182
D489,677 S * 5/2004 Ishida D13/100
D491,538 S * 6/2004 Ishida D13/182
D495,667 S * 9/2004 Kim et al. D13/180
6,820,991 B1 * 11/2004 Wakaki et al. 362/27
D500,292 S * 12/2004 Ishida D13/180

D510,326 S * 10/2005 Ishida D13/180
6,953,952 B1 * 10/2005 Asakawa 257/103
7,009,285 B1 * 3/2006 Su et al. 257/680
2005/0121688 A1 * 6/2005 Nagai et al. 257/99
2006/0023451 A1 * 2/2006 Han et al. 362/249

* cited by examiner

Primary Examiner—Selina Sikder

(74) *Attorney, Agent, or Firm*—Townsend and Townsend and Crew LLP

(57) **CLAIM**

The ornamental design for light emitting diode (LED), as shown and described.

DESCRIPTION

FIG. 1 is a perspective view of a light emitting diode (LED) showing my new design;
FIG. 2 is a front elevational view, the rear elevational view being a mirror image thereof;
FIG. 3 is a rear elevational view, the front elevational view being a mirror image thereof;
FIG. 4 is a left side elevational view, the right side elevational view being a mirror image thereof;
FIG. 5 is a right side elevational view, the left side elevational view being a mirror image thereof;
FIG. 6 is a top plan view thereof;
FIG. 7 is a bottom plan view thereof;
FIG. 8 is a sectional view taken along a line 8—8 in FIG. 2; and,
FIG. 9 is a perspective view from the rear thereof.

1 Claim, 3 Drawing Sheets

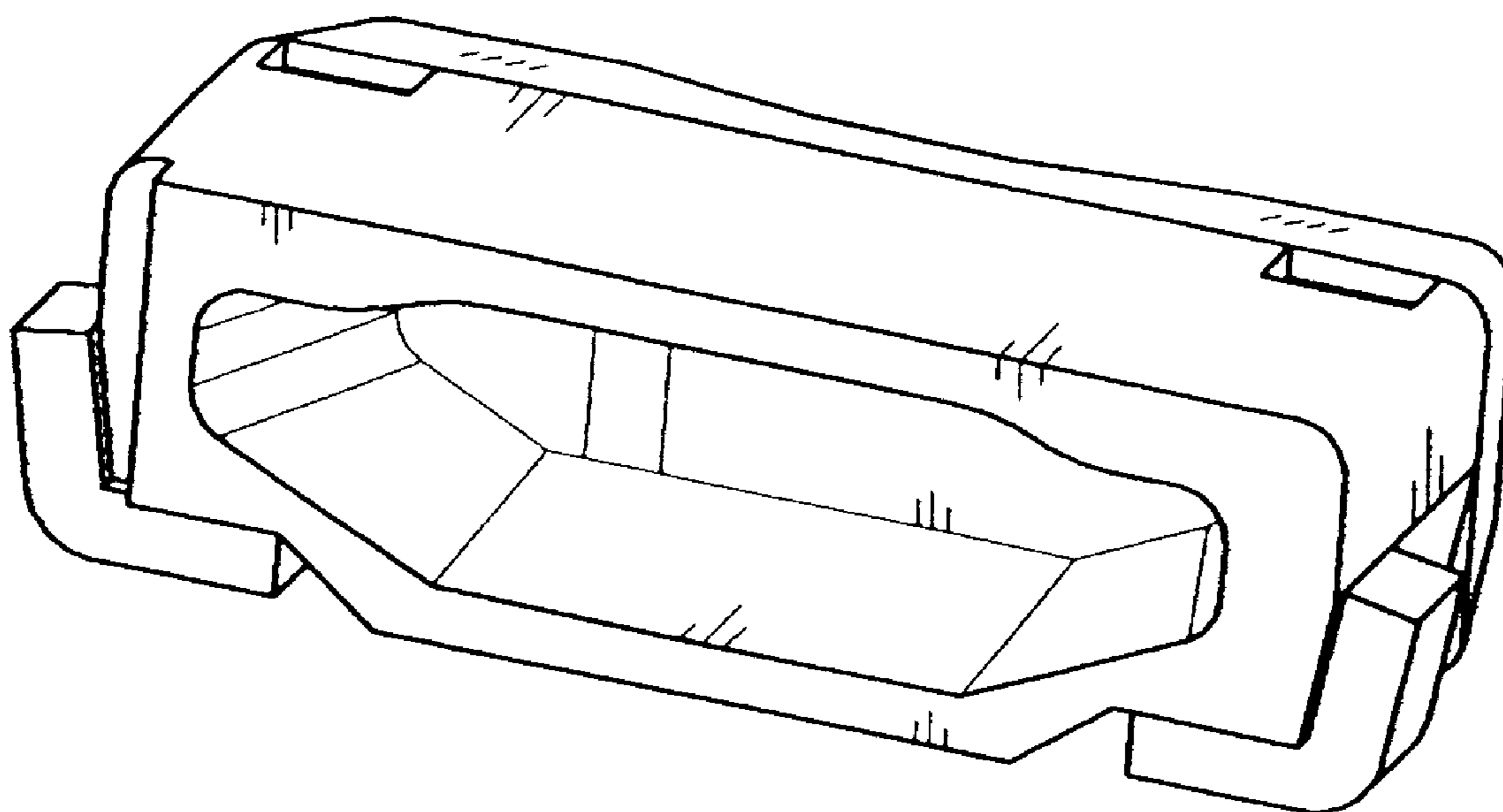


FIG 1

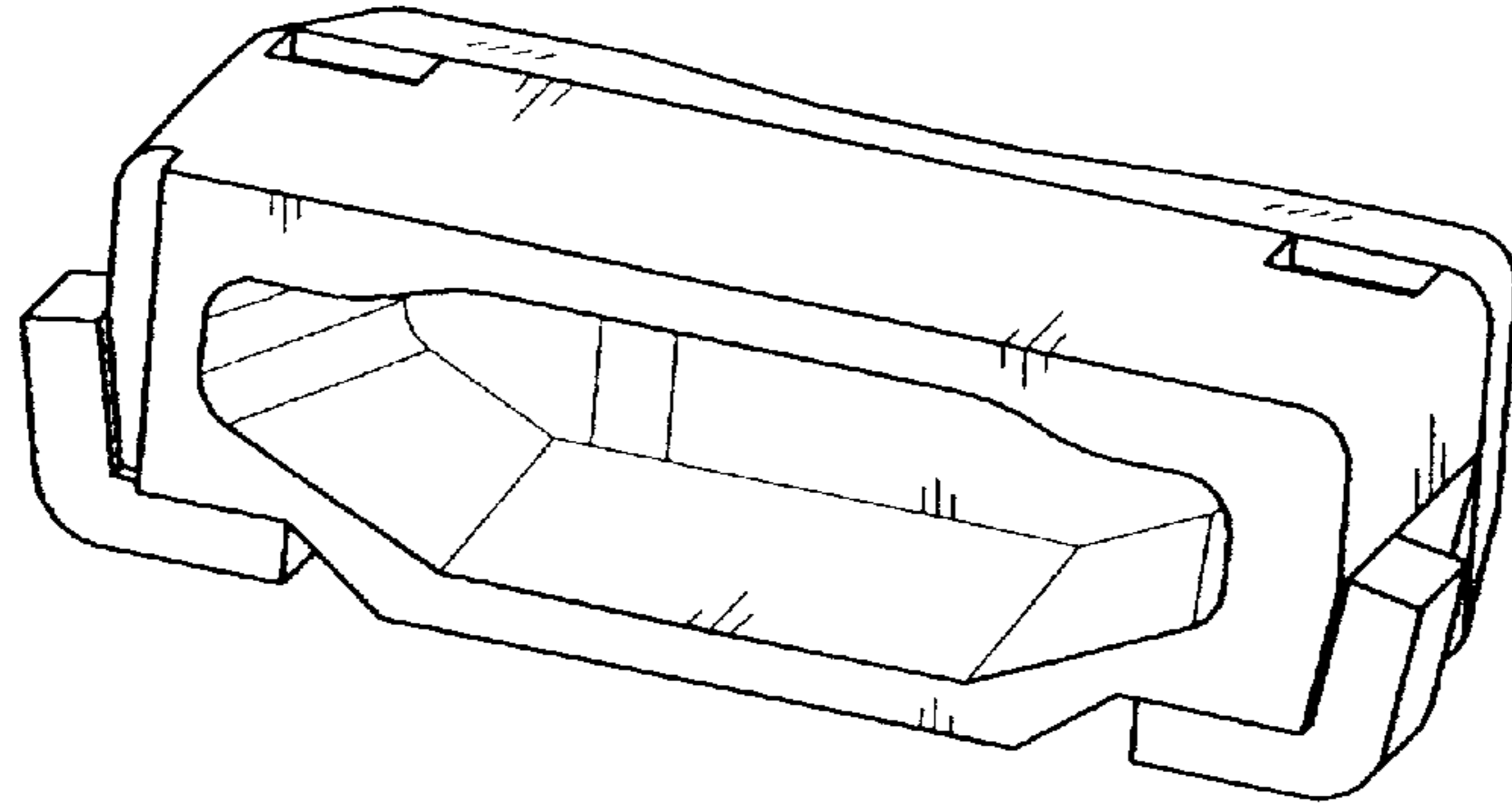


FIG 2

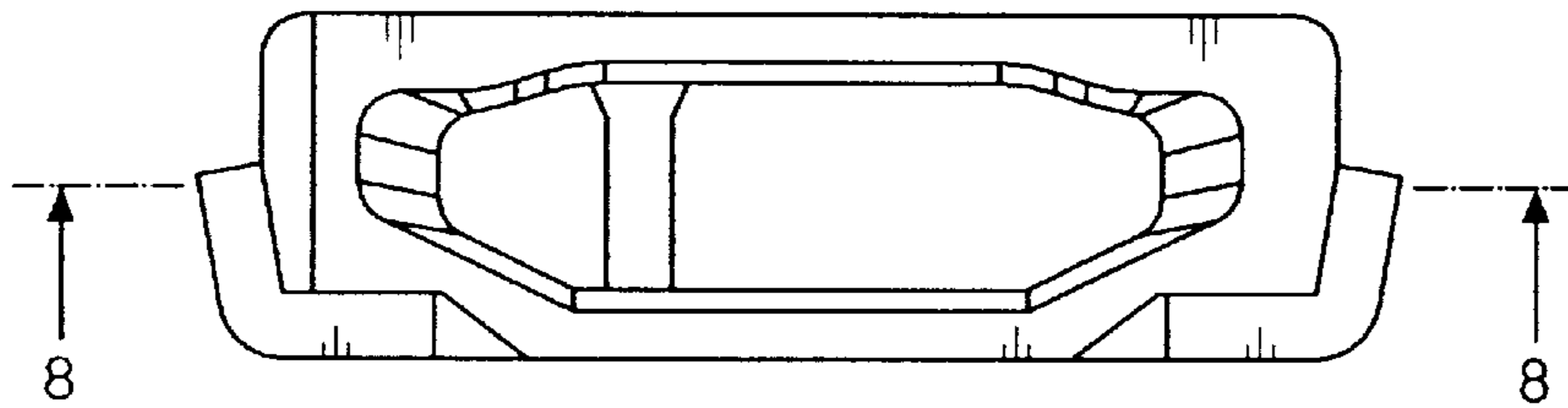


FIG 3

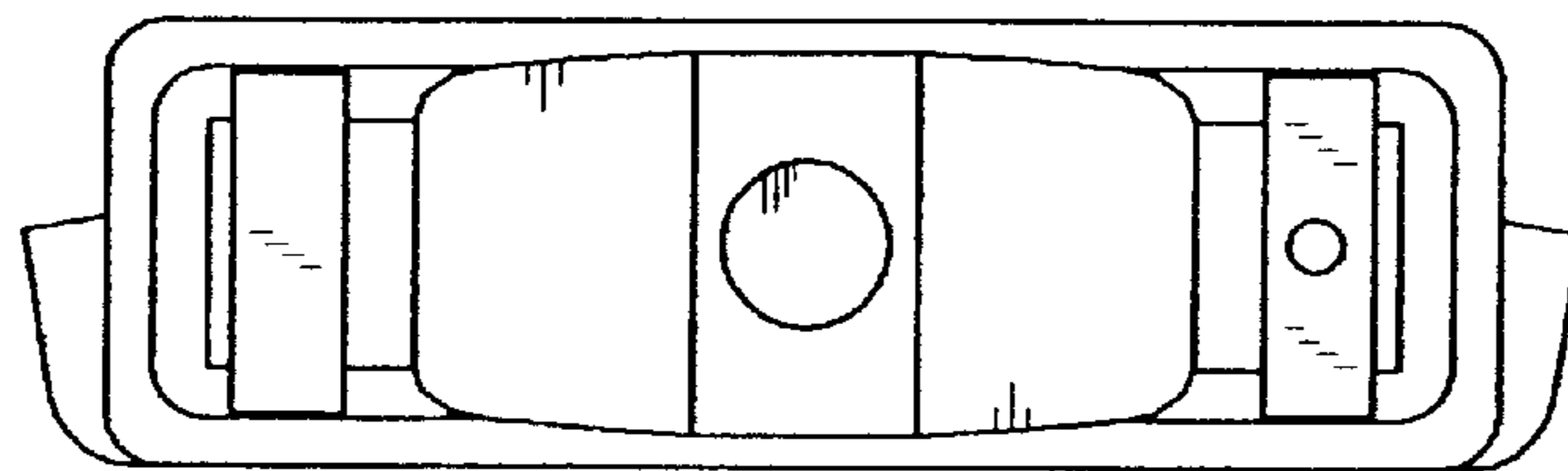


FIG 4

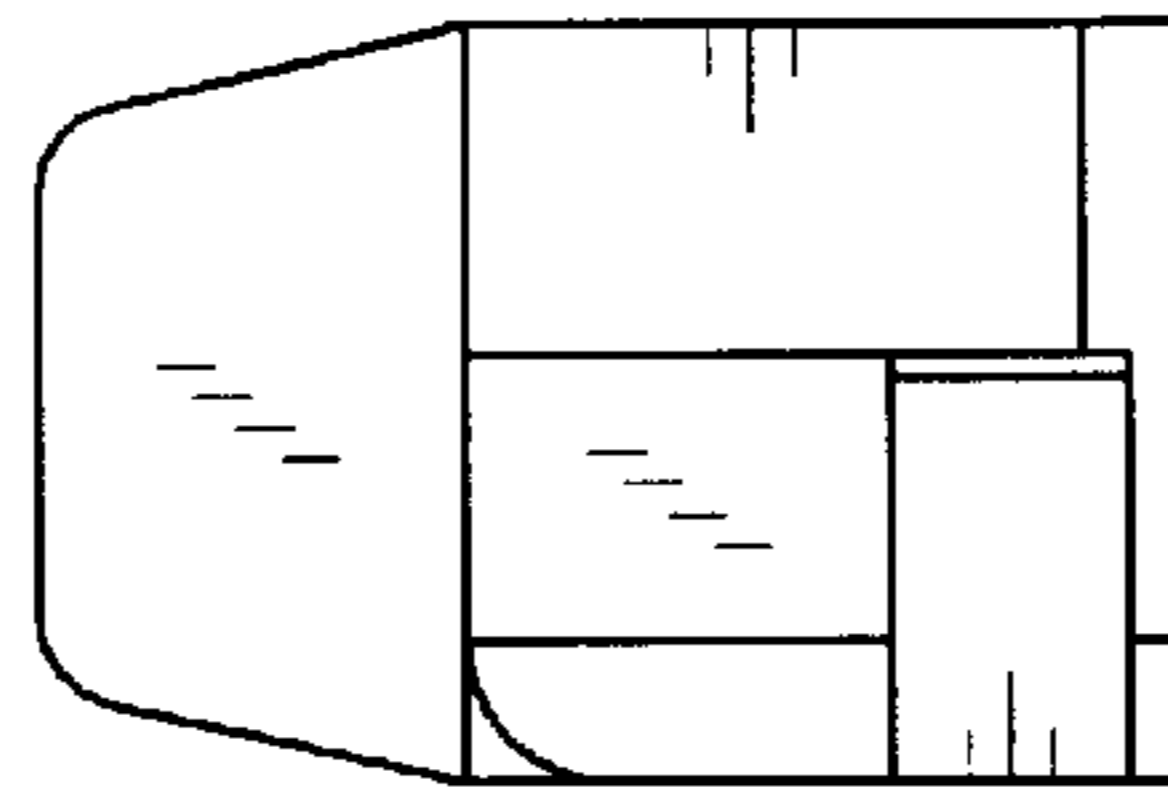


FIG 5

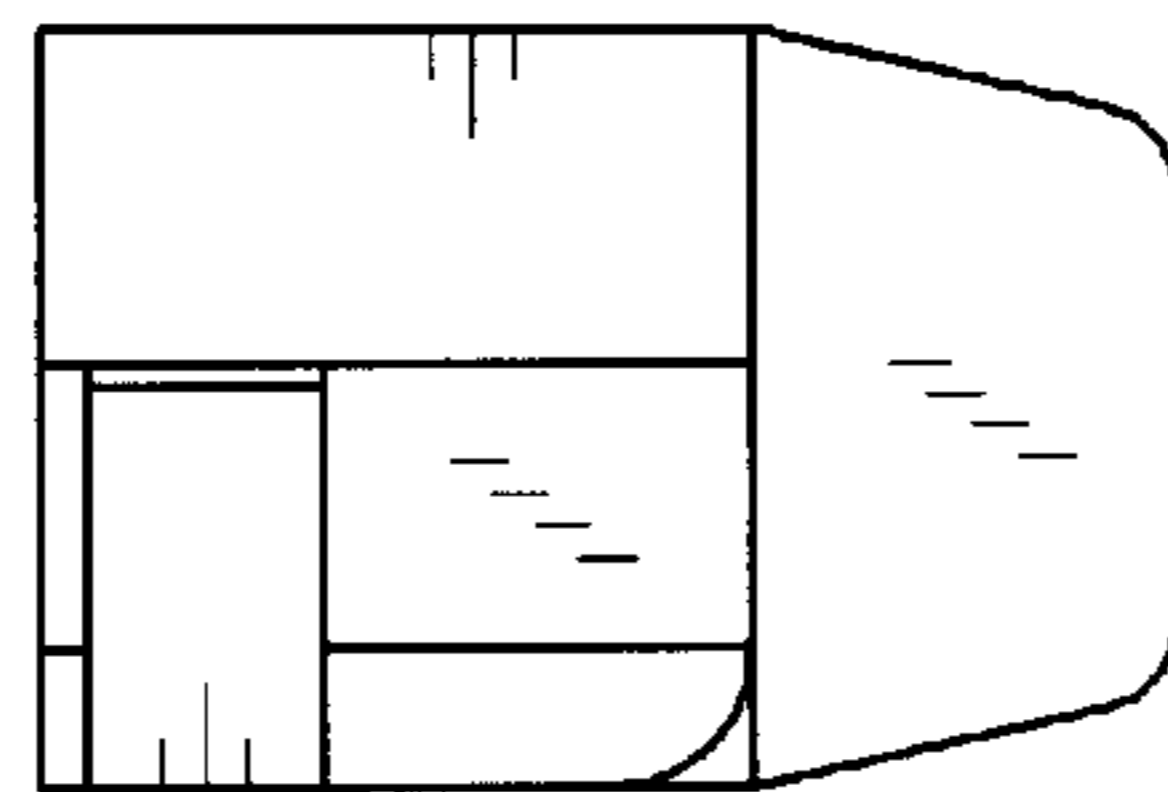


FIG 6

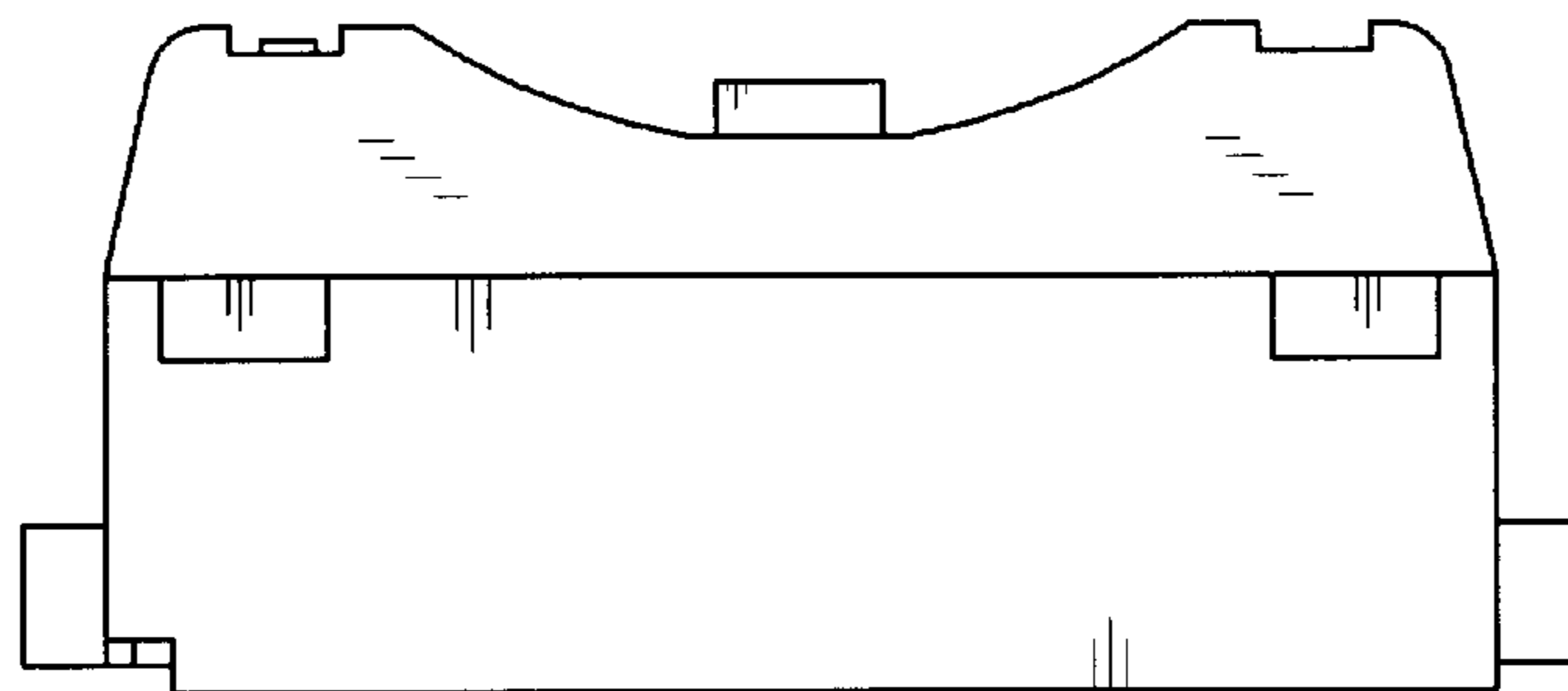


FIG 7

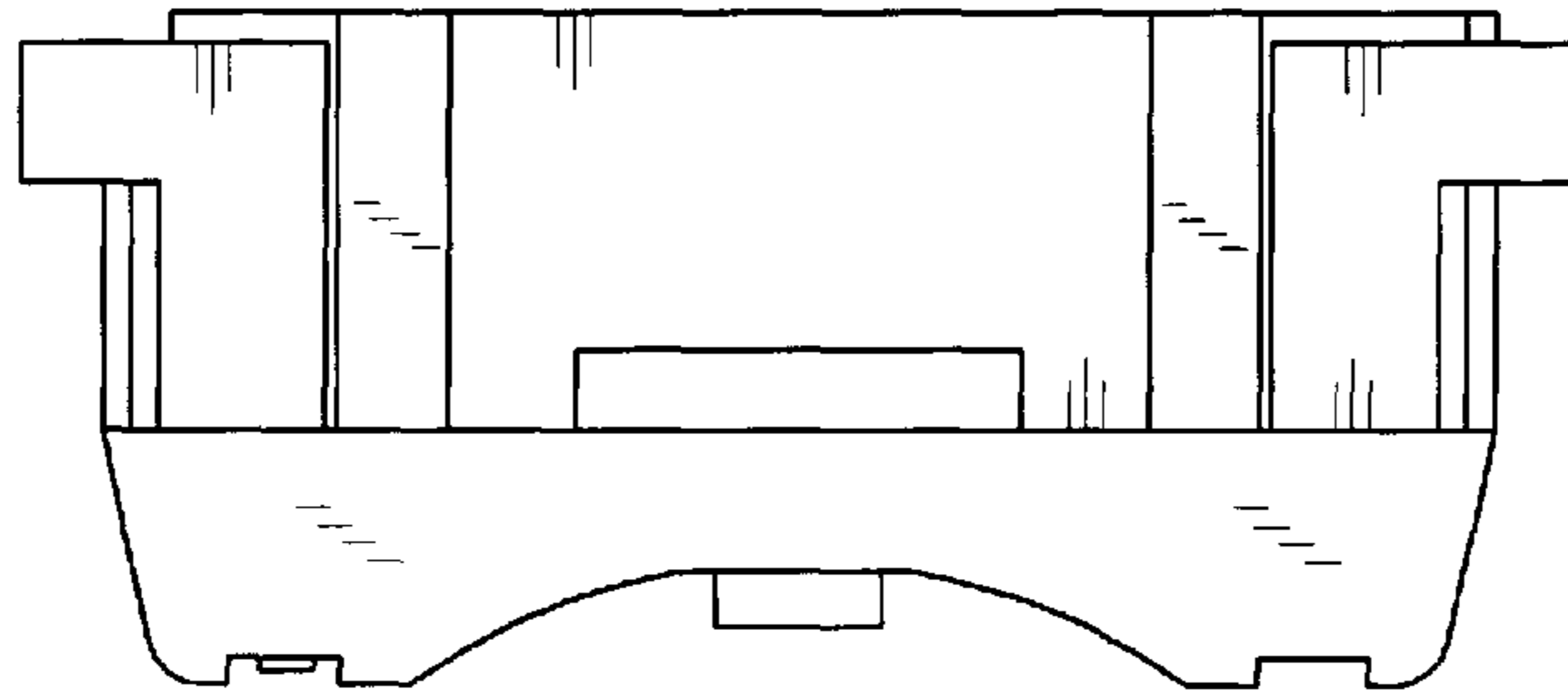


FIG 8

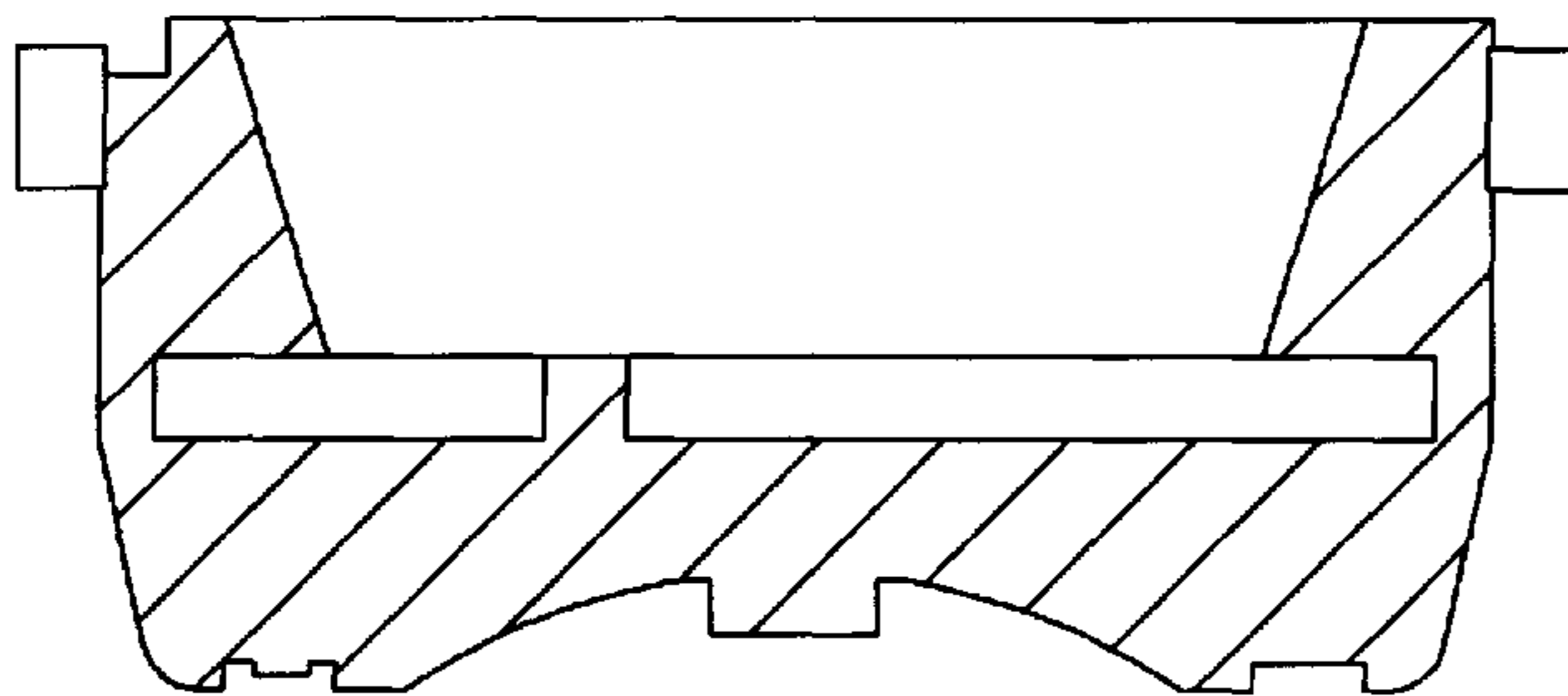


FIG 9

