



US00D529449S

(12) **United States Design Patent**
Pratt

(10) **Patent No.:** **US D529,449 S**
(45) **Date of Patent:** **** Oct. 3, 2006**

(54) **SET OF SWITCH PANELS**

(75) Inventor: **Ross Gregory Pratt**, Whangaparaoa (NZ)

(73) Assignee: **BEP Marine Limited**, Auckland (NZ)

(**) Term: **14 Years**

(21) Appl. No.: **29/191,229**

(22) Filed: **Oct. 6, 2003**

(30) **Foreign Application Priority Data**

Apr. 4, 2003 (NZ) 403428
Aug. 13, 2003 (NZ) 403789

(51) **LOC (8) Cl.** **13-03**

(52) **U.S. Cl.** **D13/171**

(58) **Field of Classification Search** D13/162,
D13/164, 171; 200/5 R, 5 A, 6 R, 412, 520,
200/523, 530, 552, 293, 294, 296, 297, 302.1,
200/302.2, 310, 313, 314, 315, 317, 329,
200/333, 344, 341, 345

See application file for complete search history.

(56) **References Cited**

U.S. PATENT DOCUMENTS

D302,546 S * 8/1989 Ellis, Jr. D13/164
D354,493 S * 1/1995 Schumaker et al. D14/258
D398,587 S * 9/1998 Pratt D13/164
D440,207 S * 4/2001 Carson et al. D13/162
D488,134 S * 4/2004 Pratt D13/164

* cited by examiner

Primary Examiner—Stella Reid

Assistant Examiner—Selina Sikder

(74) *Attorney, Agent, or Firm*—Quarles & Brady LLP

(57) **CLAIM**

The ornamental design for a set of switch panels, substantially as shown and described.

DESCRIPTION

FIG. 1 is a top plan view of a first embodiment of a set of switch panels, showing my new design;

FIG. 2 is a top perspective view of a first embodiment thereof,

FIG. 3 is a front elevation view of a first embodiment thereof,

FIG. 4 is a right side elevation view of a first embodiment thereof;

FIG. 5 is a rear elevation view of a first embodiment thereof,

FIG. 6 is a left side elevation view of a first embodiment thereof,

FIG. 7 is a bottom plan view of a first embodiment thereof,

FIG. 8 is a top plan view of a second embodiment thereof,

FIG. 9 is a top perspective view of a second embodiment thereof,

FIG. 10 is a front elevation view of a second embodiment thereof,

FIG. 11 is a right side elevation view of a second embodiment thereof,

FIG. 12 is a rear elevation view of a second embodiment thereof;

FIG. 13 is a left side elevation view of a second embodiment thereof;

FIG. 14 is a bottom plan view of a second embodiment thereof,

FIG. 15 is a top plan view of a third embodiment thereof,

FIG. 16 is a top perspective view of a third embodiment thereof,

FIG. 17 is a front elevation view of a third embodiment thereof,

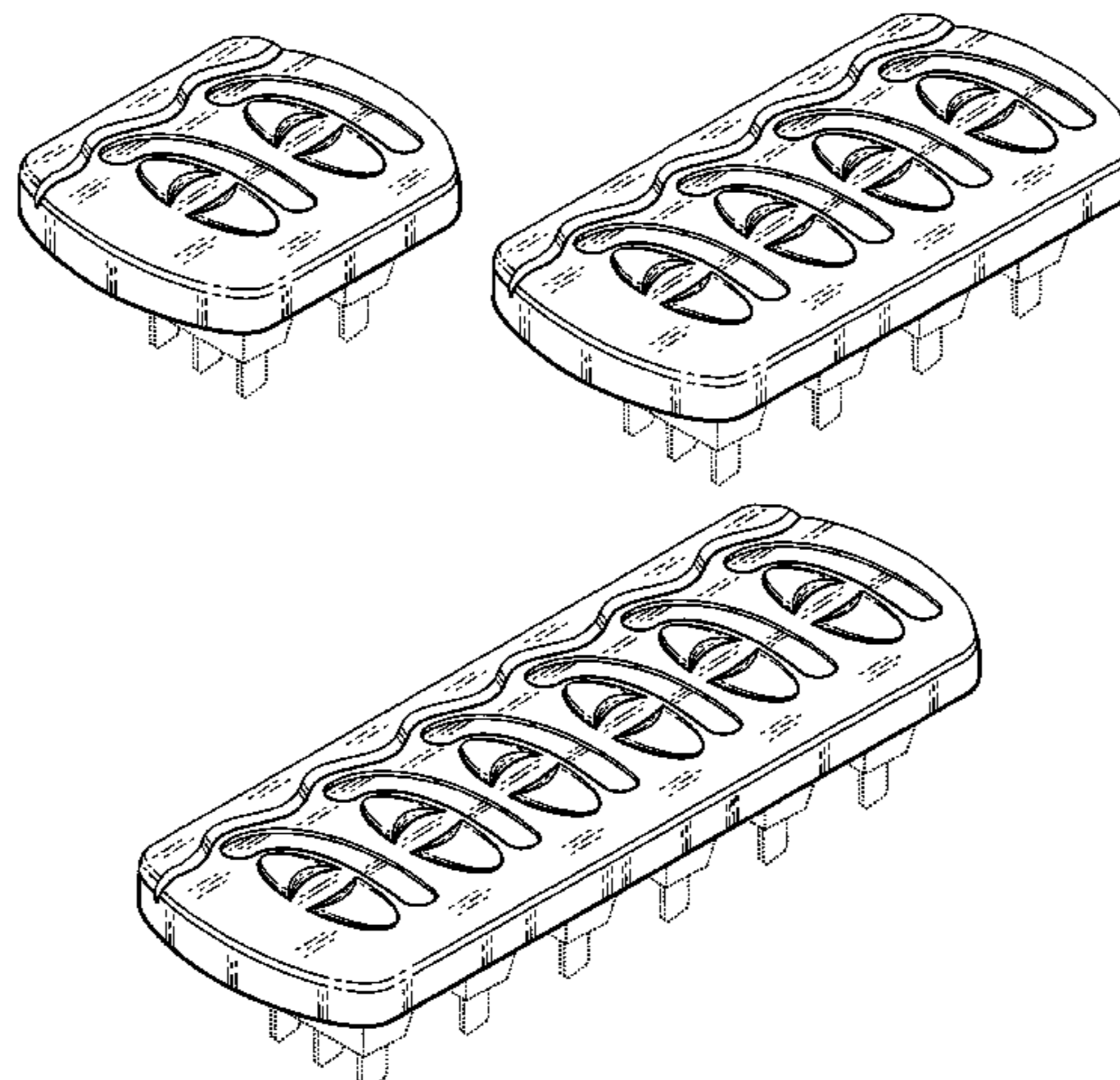
FIG. 18 is a right side elevation view of a third embodiment thereof,

FIG. 19 is a rear elevation view of a third embodiment thereof,

FIG. 20 is a left side elevation view of a third embodiment thereof; and,

FIG. 21 is a bottom plan view of a third embodiment thereof, and the subject matter shown in broken lines below the switch panel cover of each embodiment of the set of switch panels is not intended to form any part of the claimed design.

1 Claim, 6 Drawing Sheets



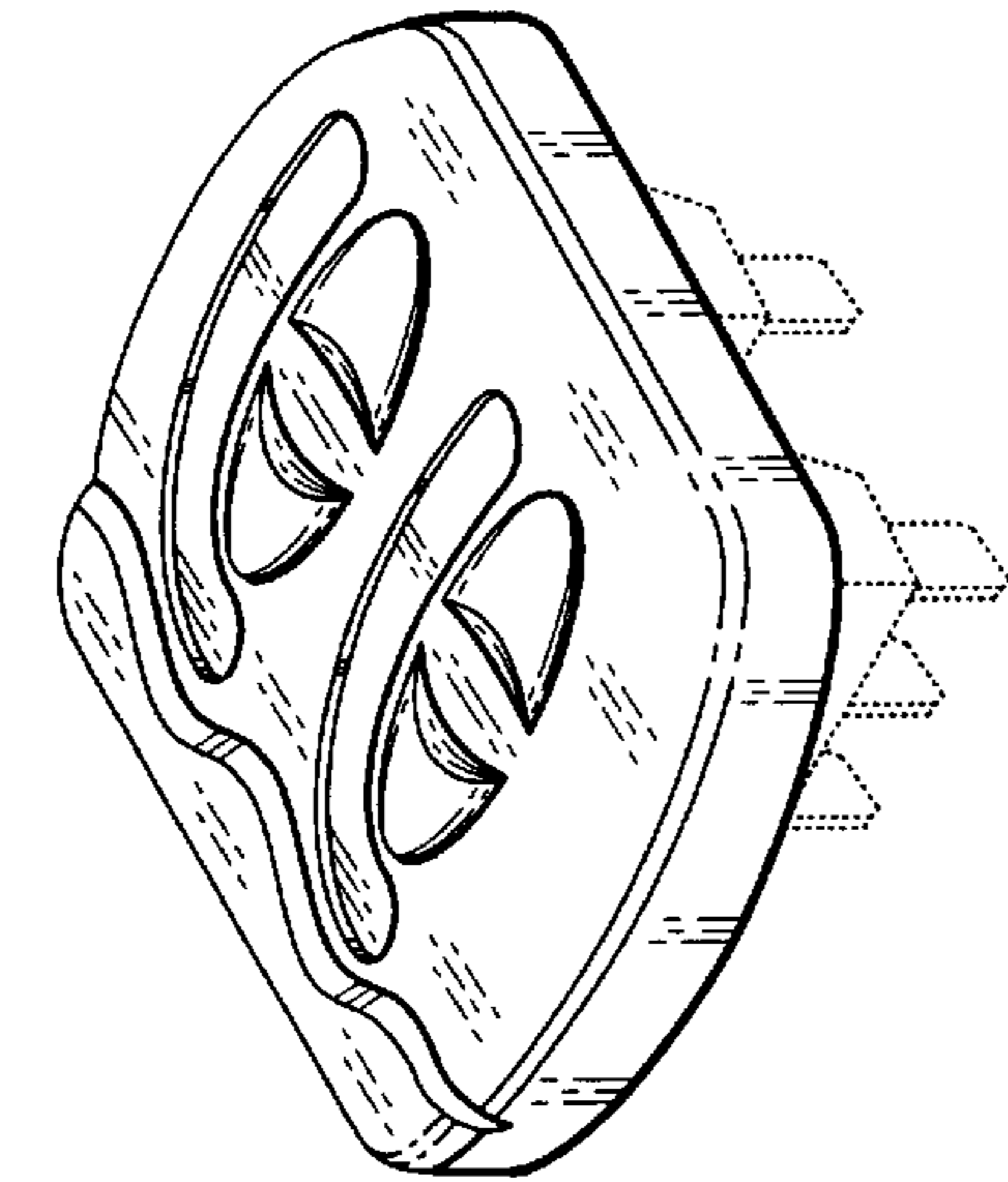


FIG. 1

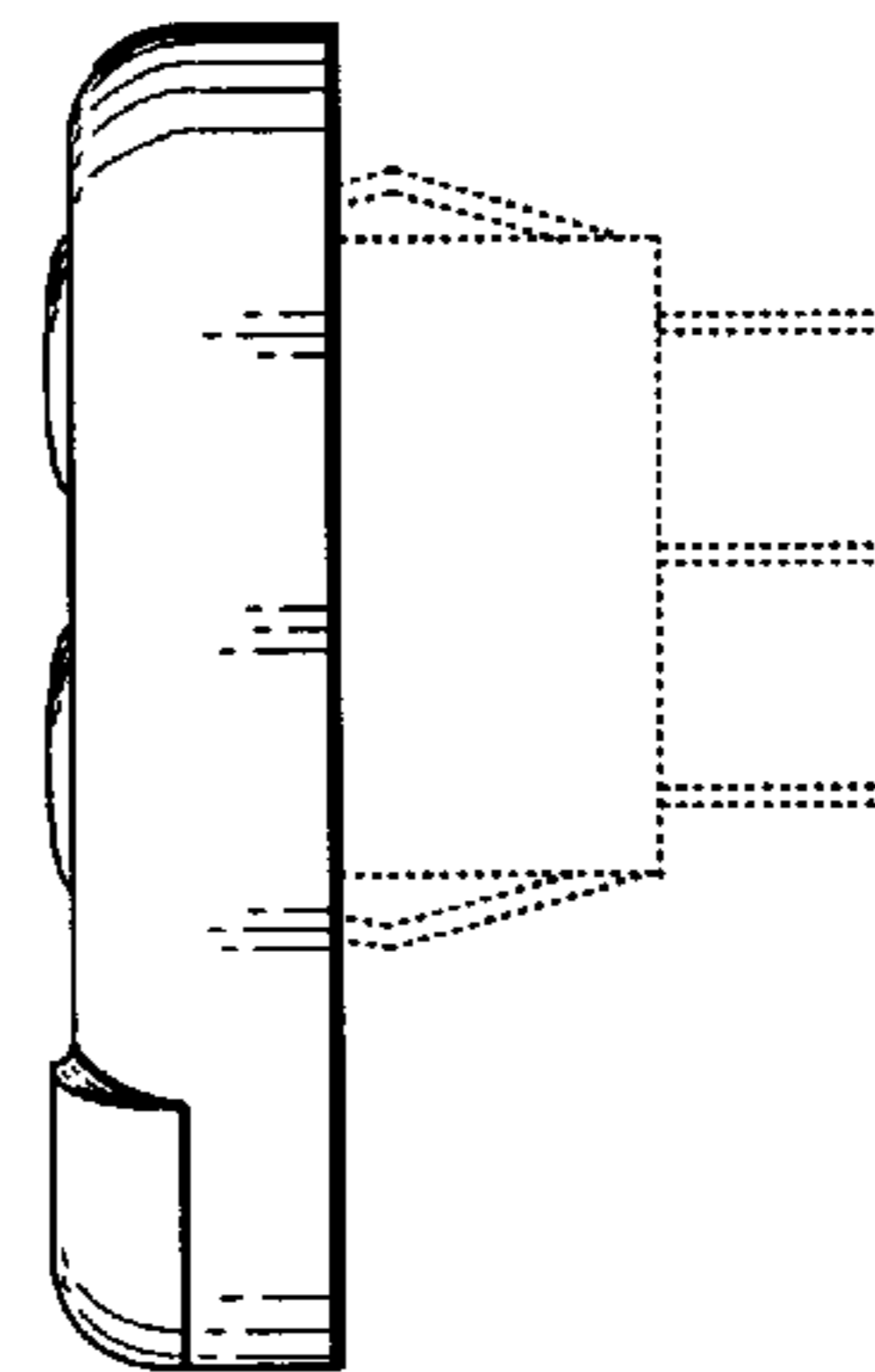


FIG. 3

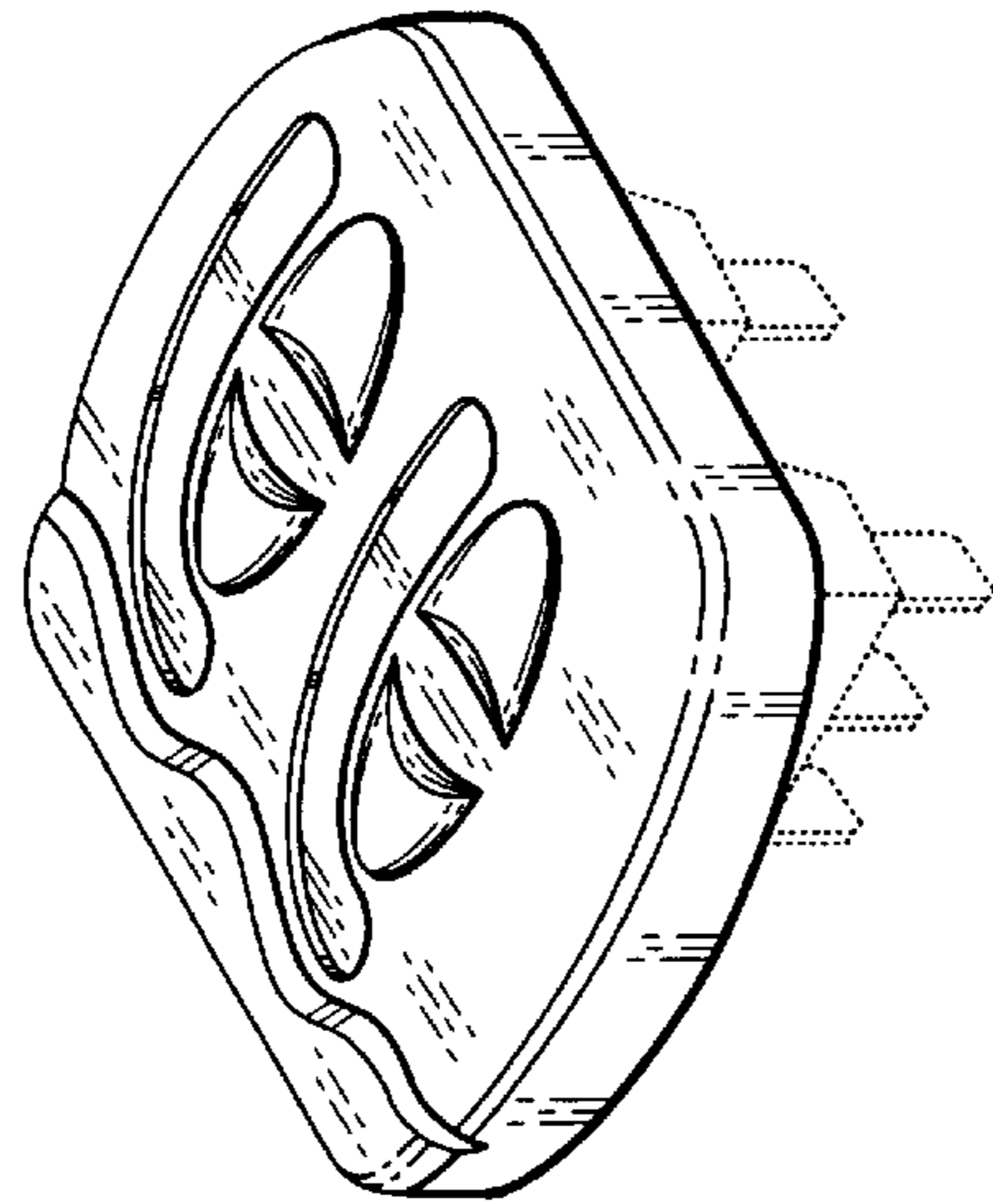


FIG. 2

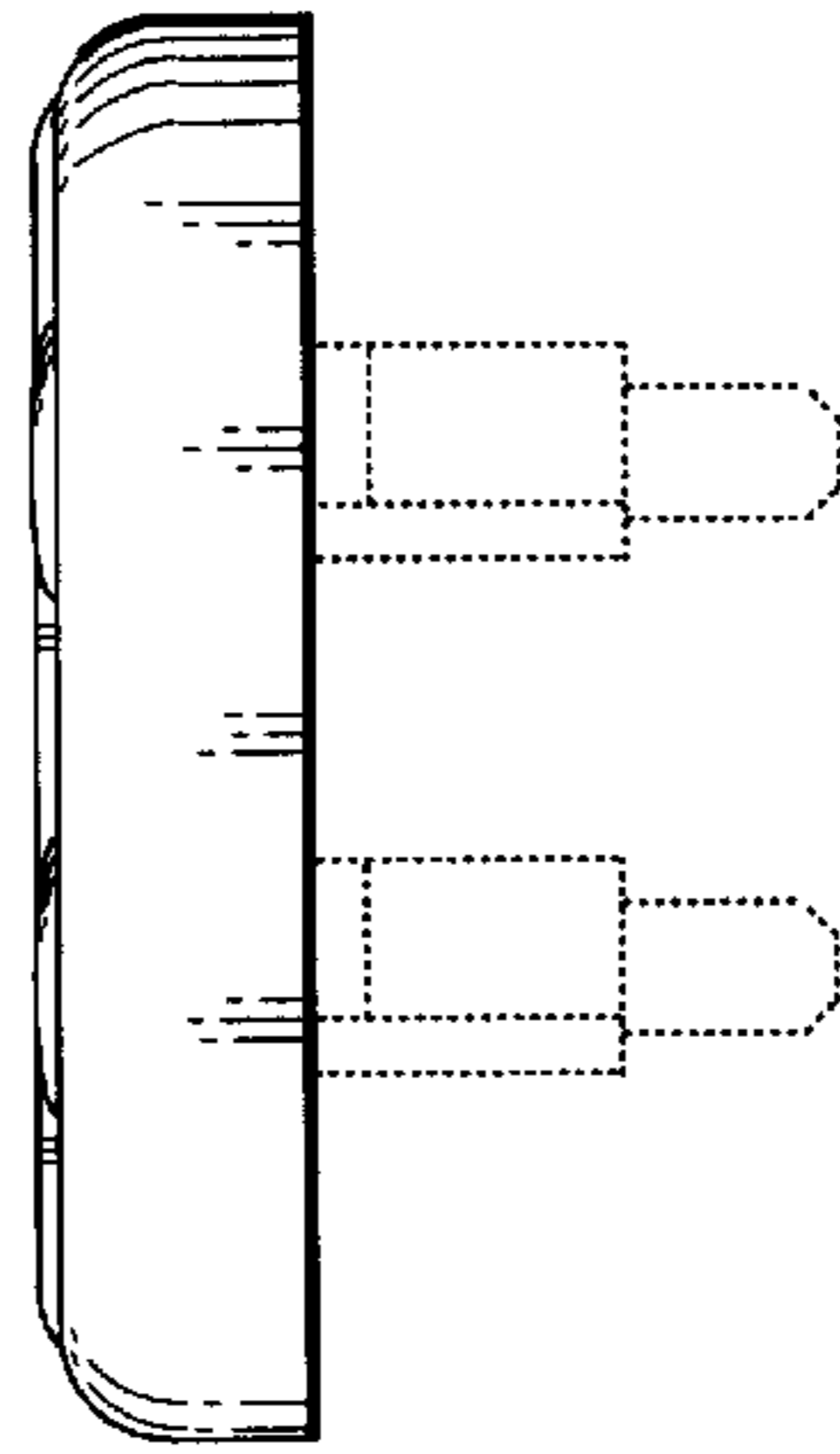


FIG. 4

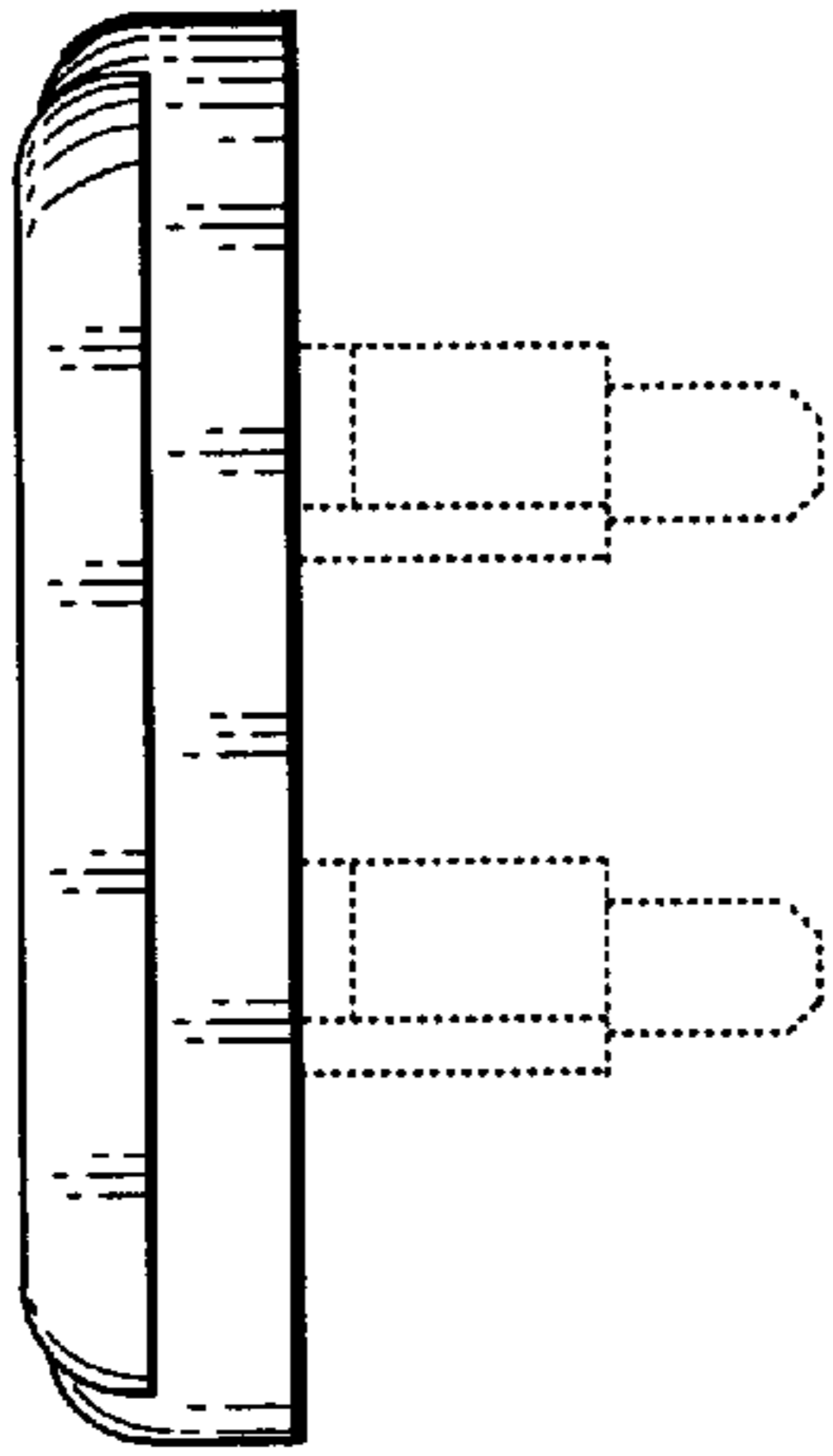


FIG. 6

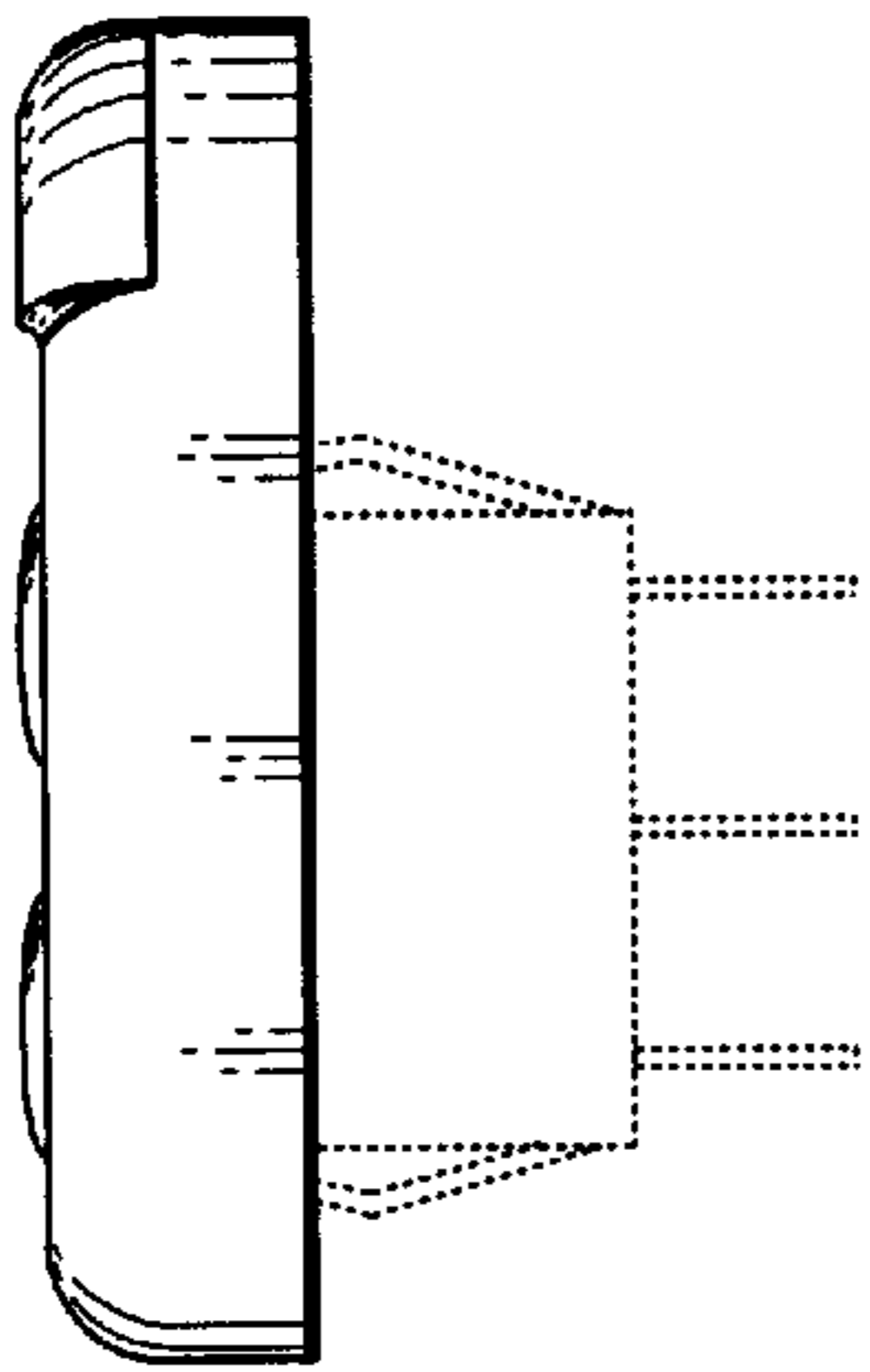


FIG. 5

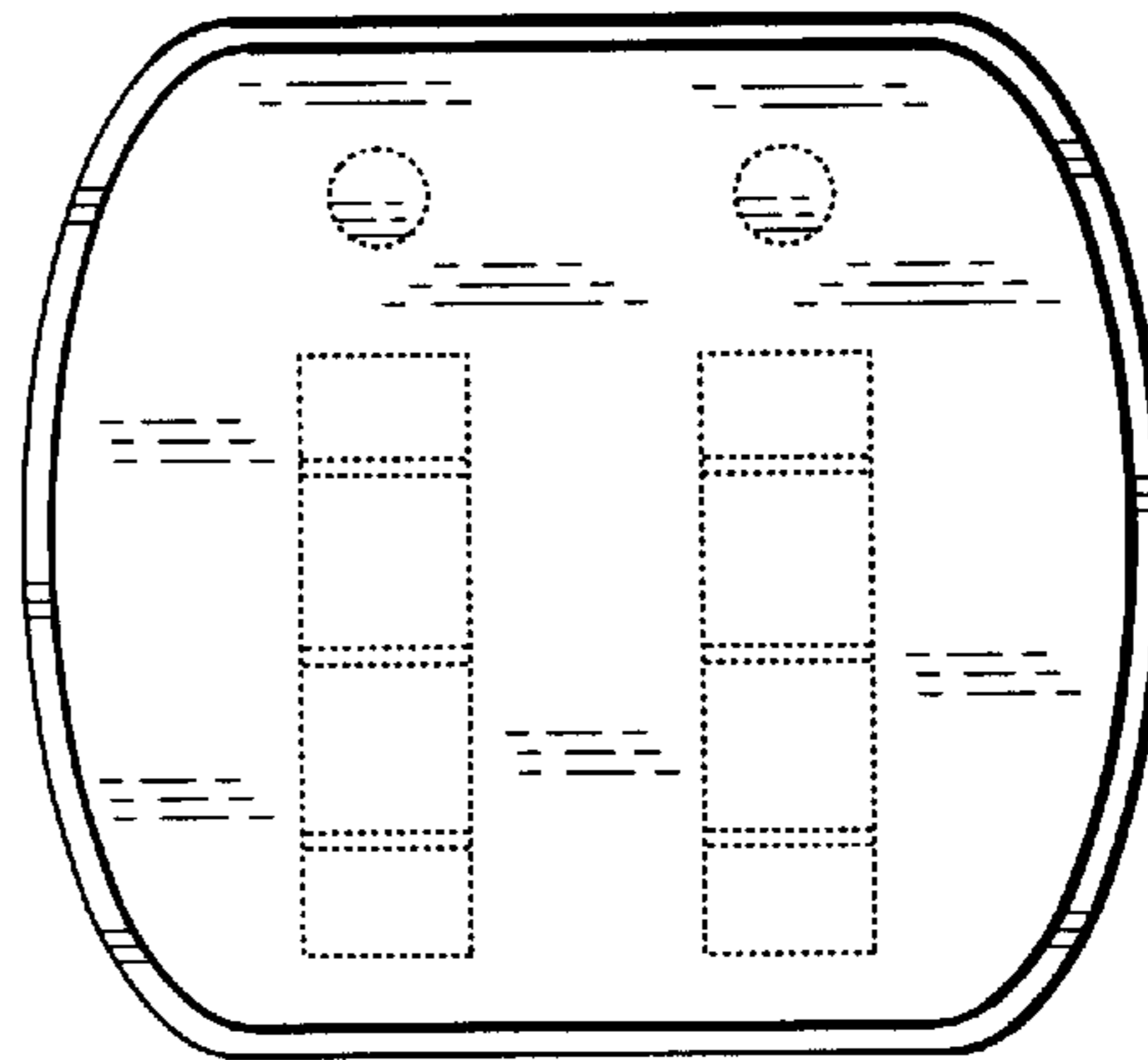


FIG. 7

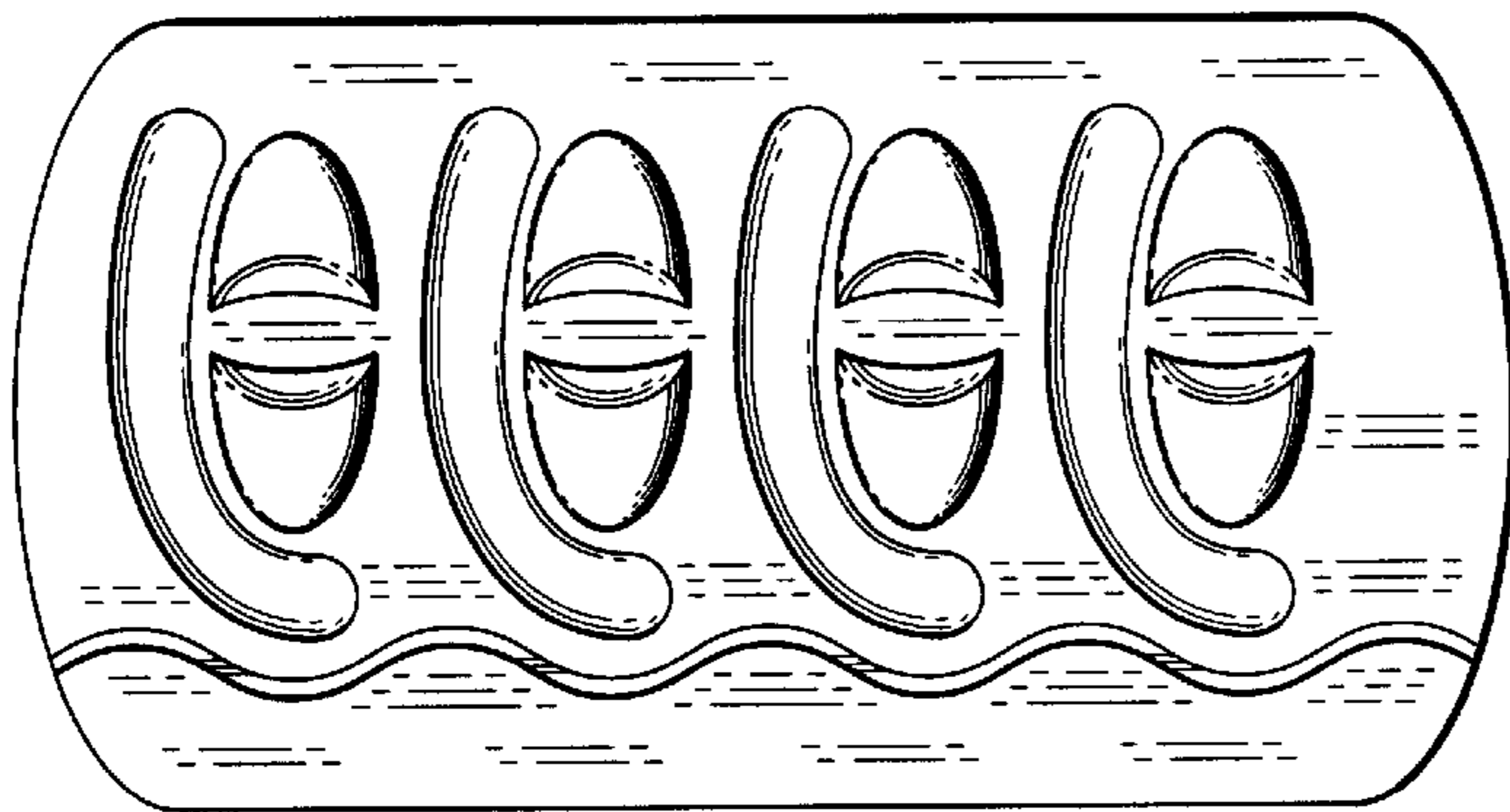


FIG. 8

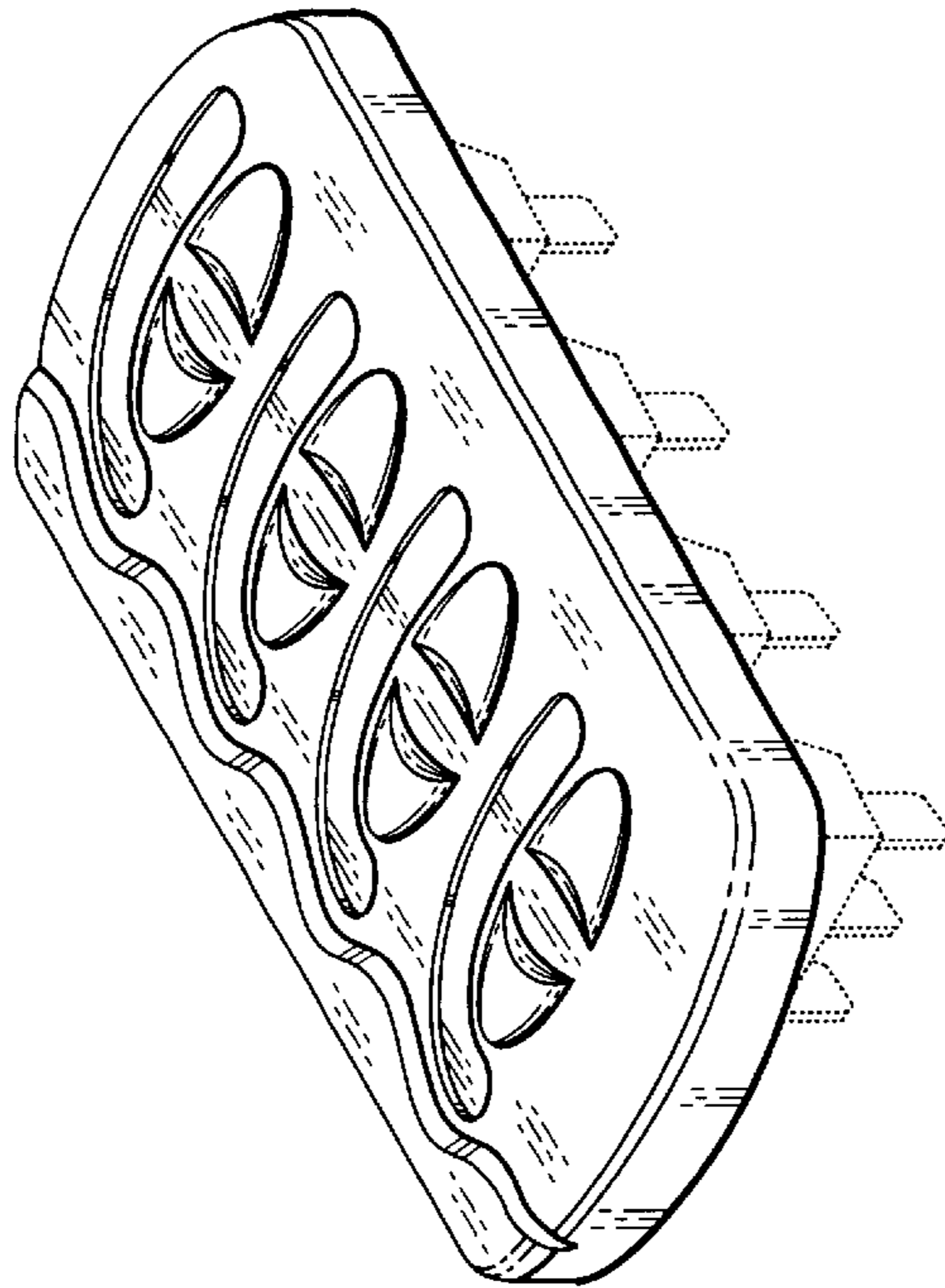


FIG. 9

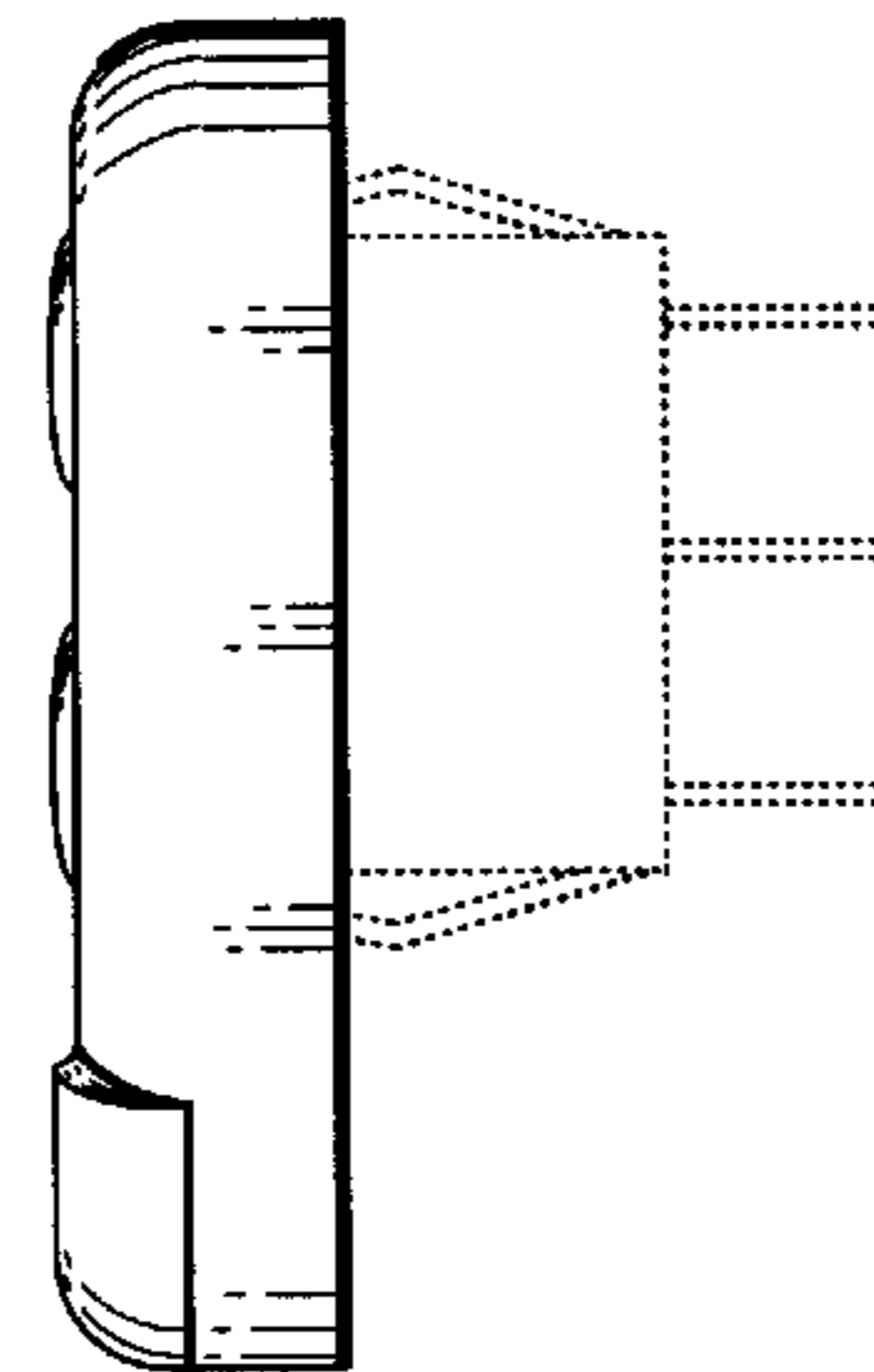


FIG. 10

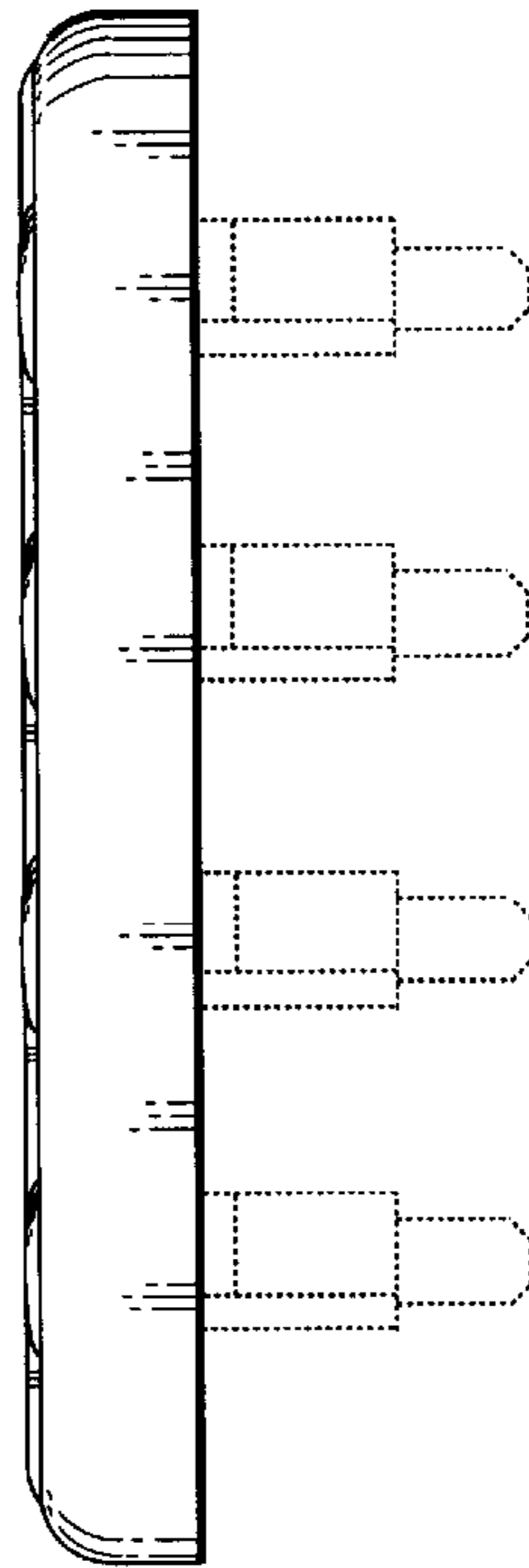


FIG. 11

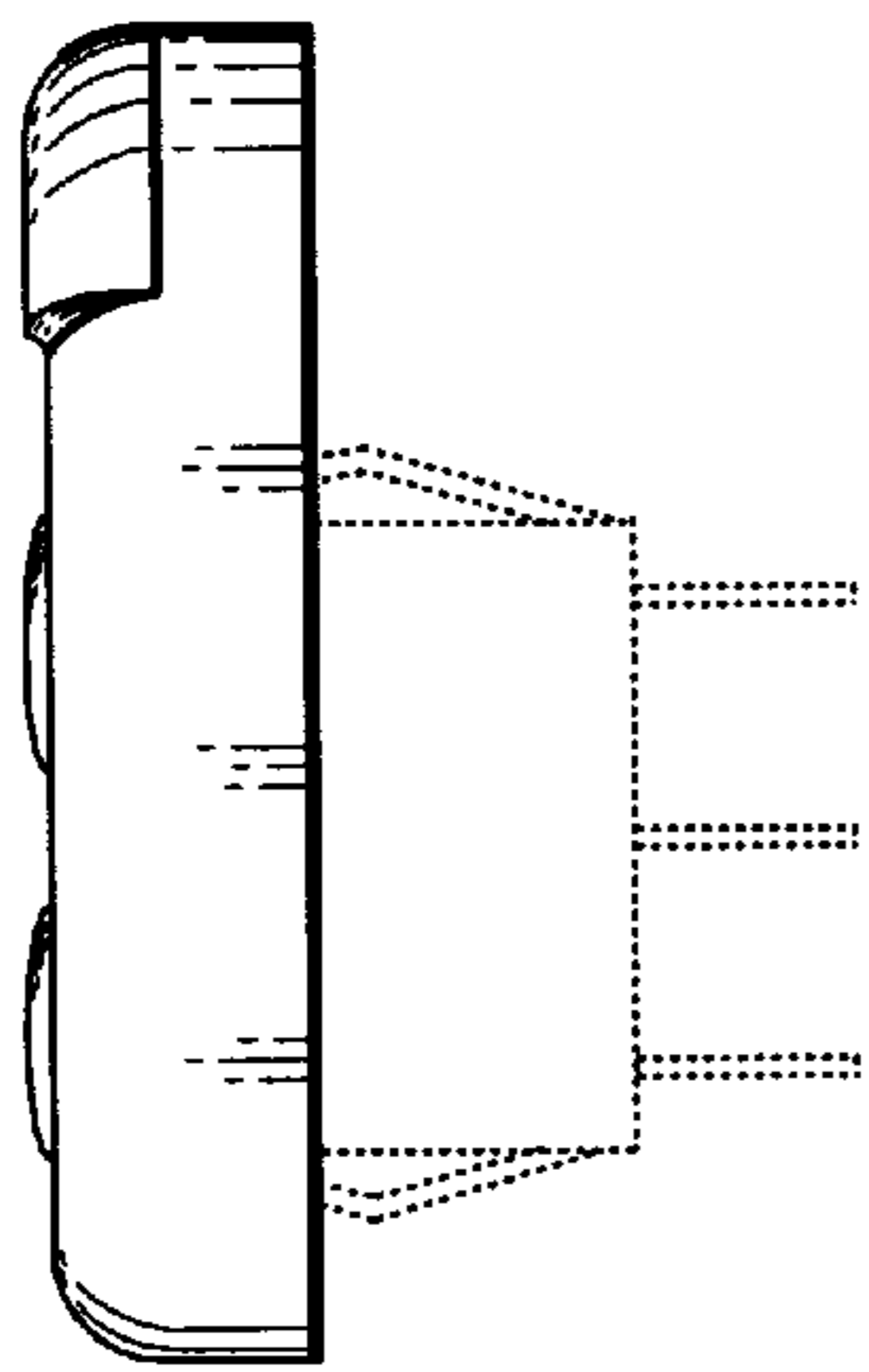


FIG. 12

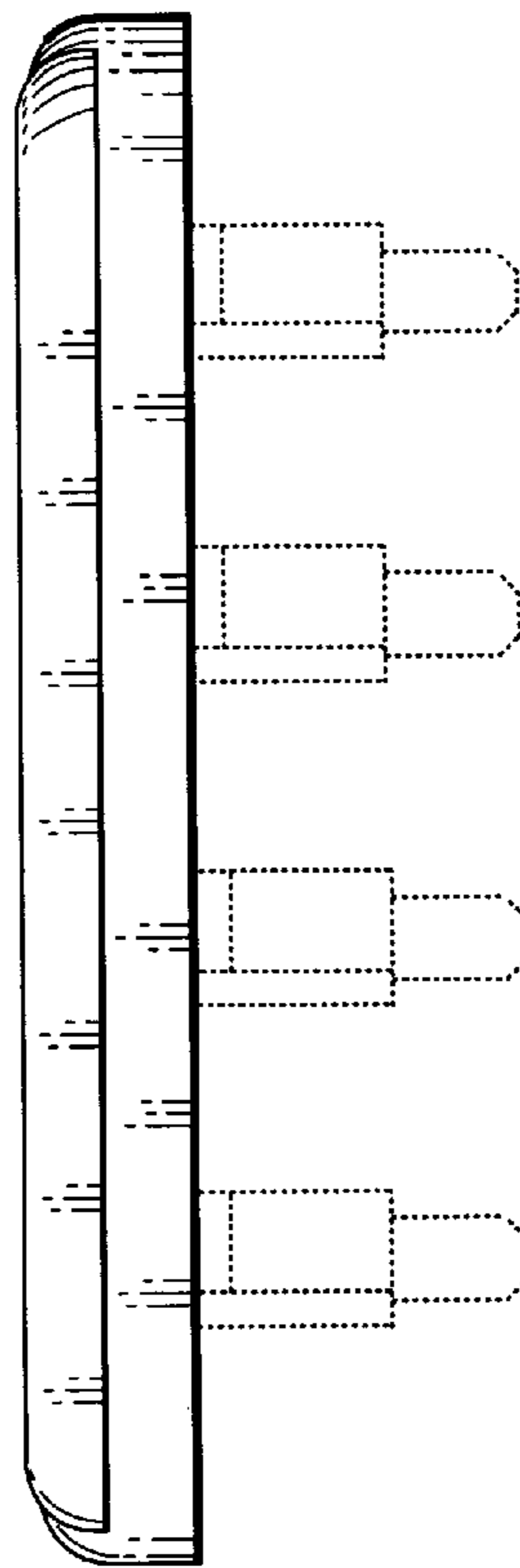


FIG. 13

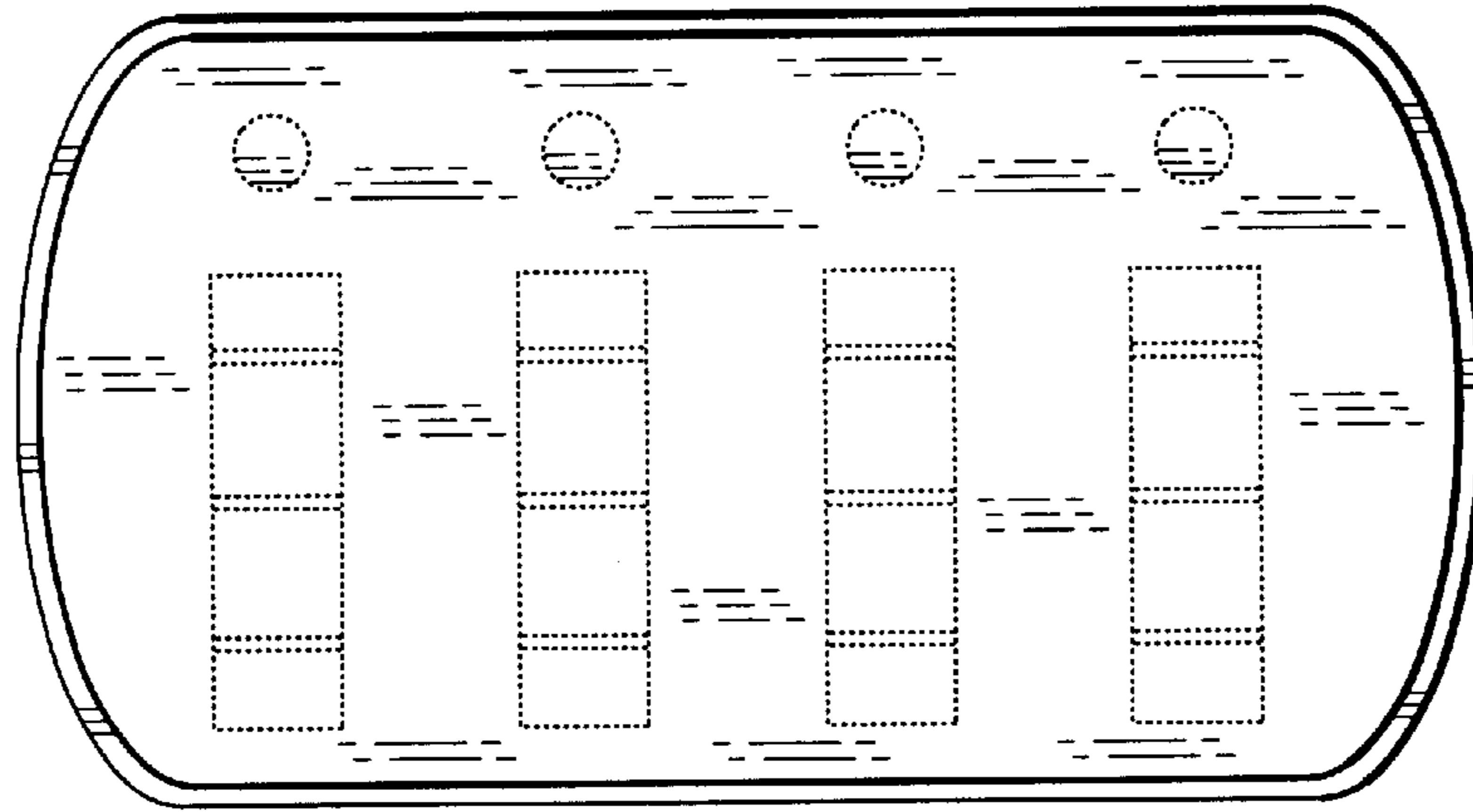


FIG. 14

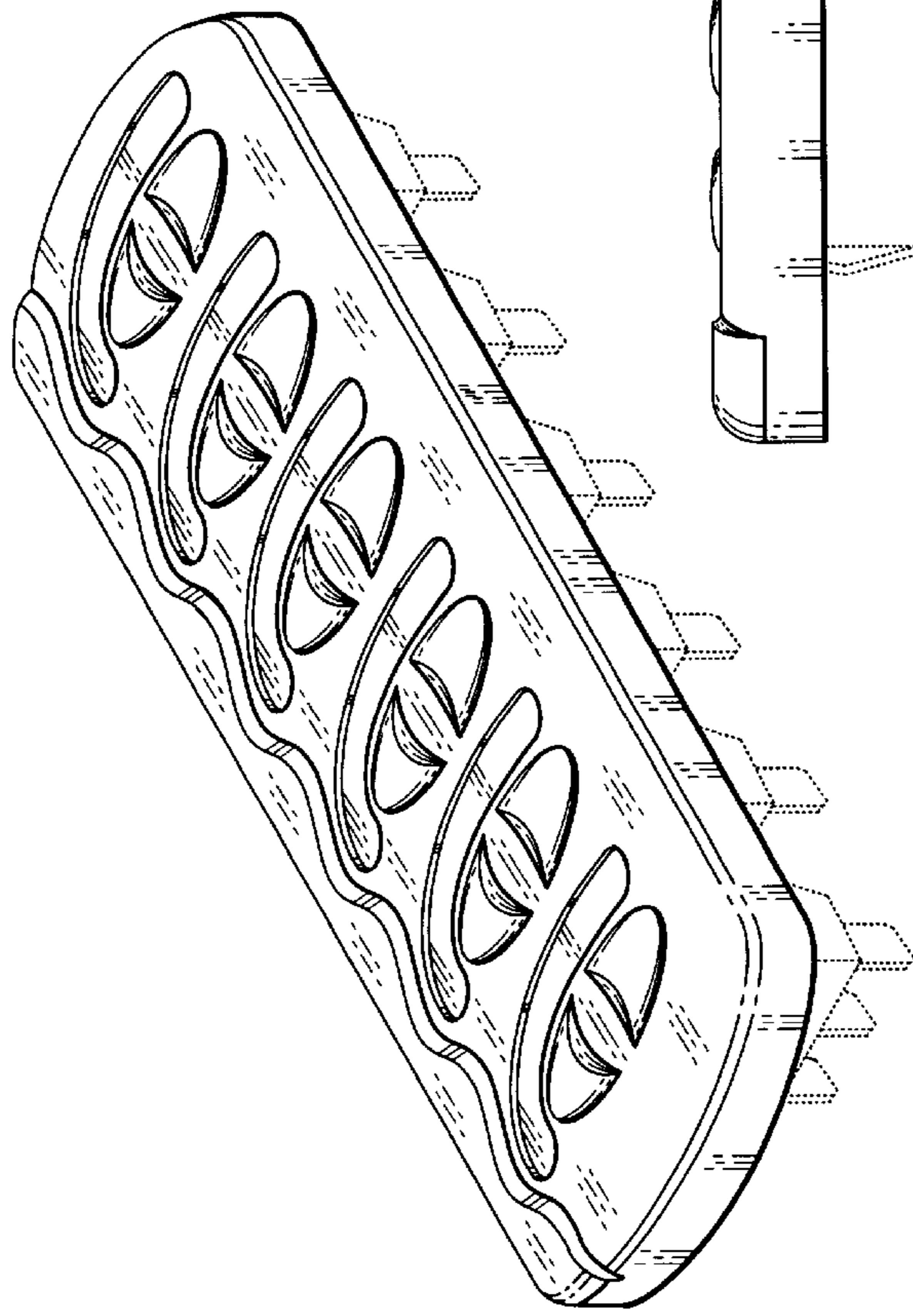


FIG. 16

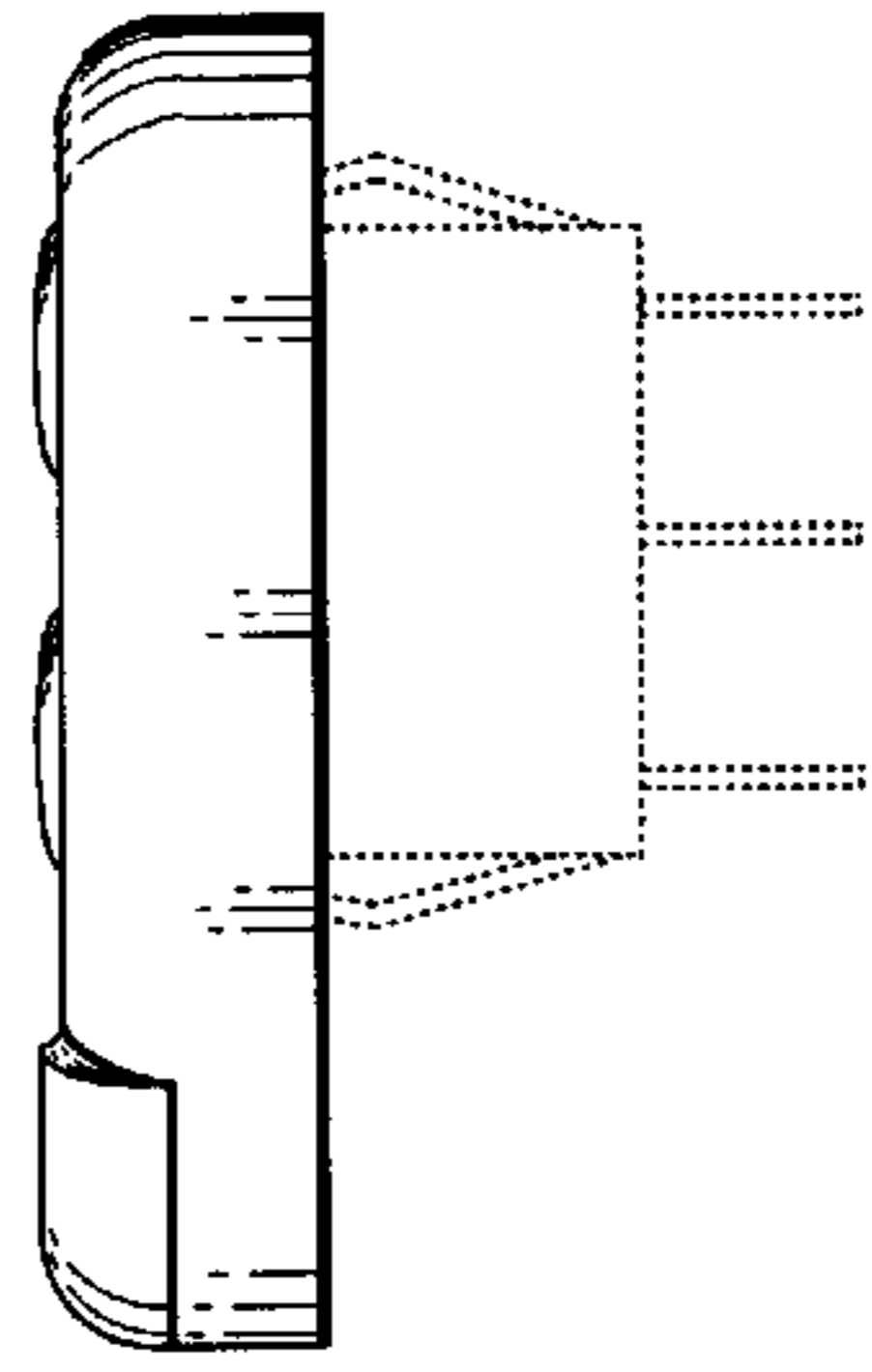


FIG. 17

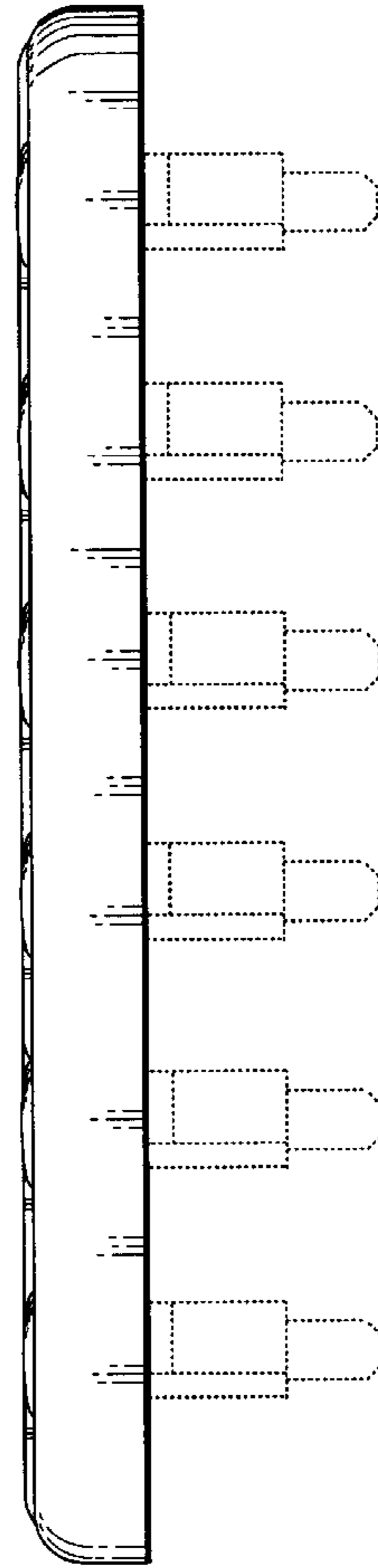


FIG. 18

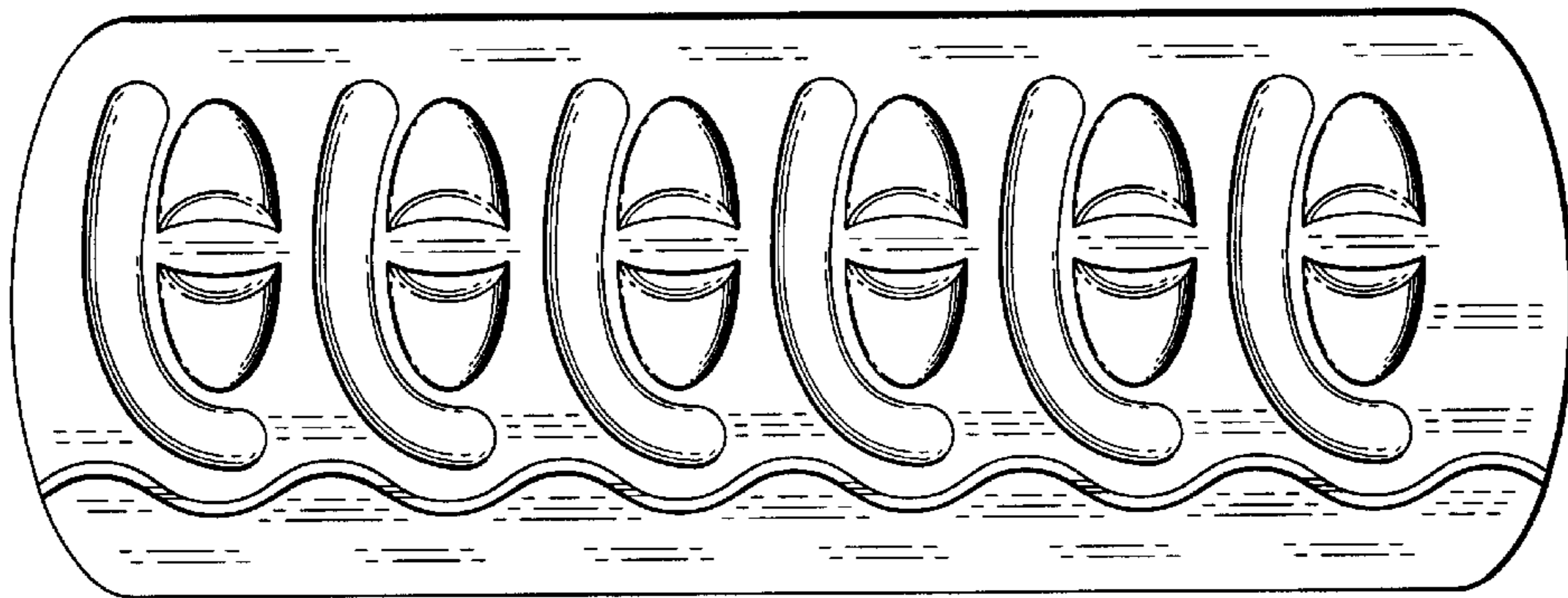


FIG. 15

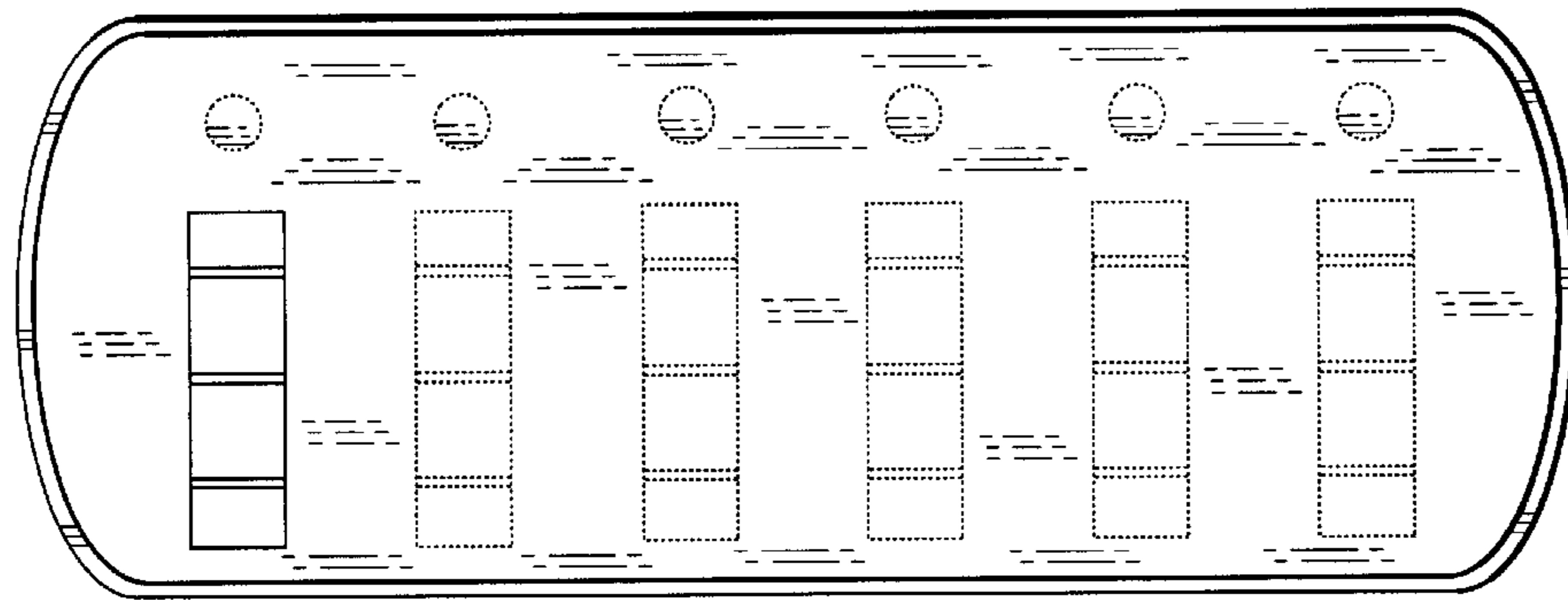


FIG. 21

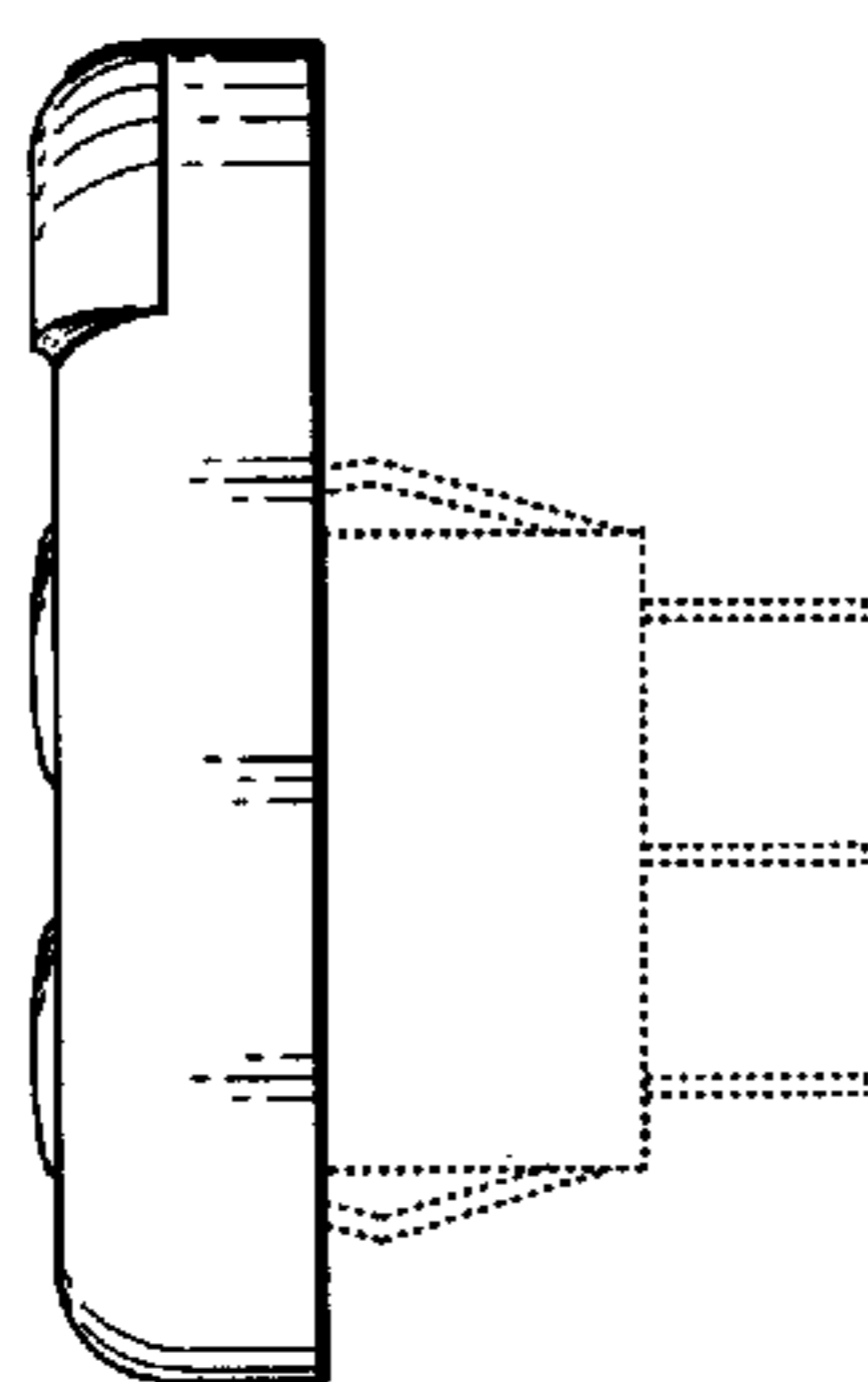


FIG. 19

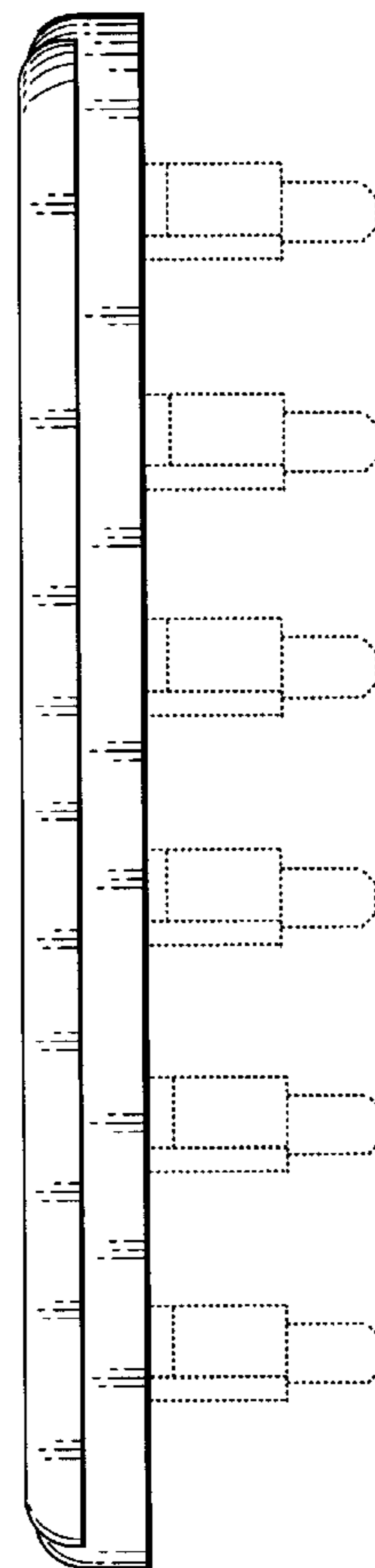


FIG. 20