



US00D529447S

(12) **United States Design Patent**
Greenfield

(10) **Patent No.:** **US D529,447 S**

(45) **Date of Patent:** **** Oct. 3, 2006**

(54) **HORIZONTALLY-MOUNTED,
WEATHERPROOF, WHILE-IN-USE,
ELECTRICAL RECEPTACLE COVER
ASSEMBLY**

(75) Inventor: **Peter Greenfield**, Freeport, NY (US)

(73) Assignee: **Greenfield Industries, Inc.**, Freeport,
NY (US)

(**) Term: **14 Years**

(21) Appl. No.: **29/228,034**

(22) Filed: **Apr. 18, 2005**

(51) **LOC (8) Cl.** **13-03**

(52) **U.S. Cl.** **D13/156**

(58) **Field of Classification Search** D13/152,
D13/154, 156, 184; D14/240; 174/48, 50,
174/53, 58, 66, 67; 220/3.2, 3.3, 3.5, 3.6,
220/3.8, 4.02, 242; 439/147

See application file for complete search history.

(56) **References Cited**

U.S. PATENT DOCUMENTS

3,686,425	A	8/1972	Zerwes et al.	
4,102,466	A *	7/1978	Jadatz	220/3.8
4,265,365	A	5/1981	Boteler	
4,803,307	A	2/1989	Shotey	
4,988,832	A	1/1991	Shotey	
5,218,169	A *	6/1993	Riceman	174/67
5,280,135	A *	1/1994	Berlin et al.	174/67
5,317,108	A	5/1994	Prairie, Jr.	
5,362,924	A	11/1994	Correnti	
D378,913	S *	4/1997	Chambers et al.	D13/156
D379,176	S *	5/1997	Chambers et al.	D13/156

D379,970	S *	6/1997	Chambers et al.	D13/156
5,763,831	A	6/1998	Shotey et al.	
5,773,760	A *	6/1998	Stark et al.	174/66
D397,995	S *	9/1998	Lamar et al.	D13/156
D411,826	S *	7/1999	Lamar et al.	D13/139.6
6,441,307	B1	8/2002	Shotey et al.	
6,476,321	B1	11/2002	Shotey et al.	
6,642,453	B1	11/2003	Shotey et al.	
D486,452	S *	2/2004	Dinh	D13/156
6,723,922	B1	4/2004	Shotey et al.	
6,770,816	B1	8/2004	Shotey et al.	
2003/0178218	A1	9/2003	Shotey et al.	

* cited by examiner

Primary Examiner—Selina Sikder

(74) *Attorney, Agent, or Firm*—Calgano & Burke, LLP

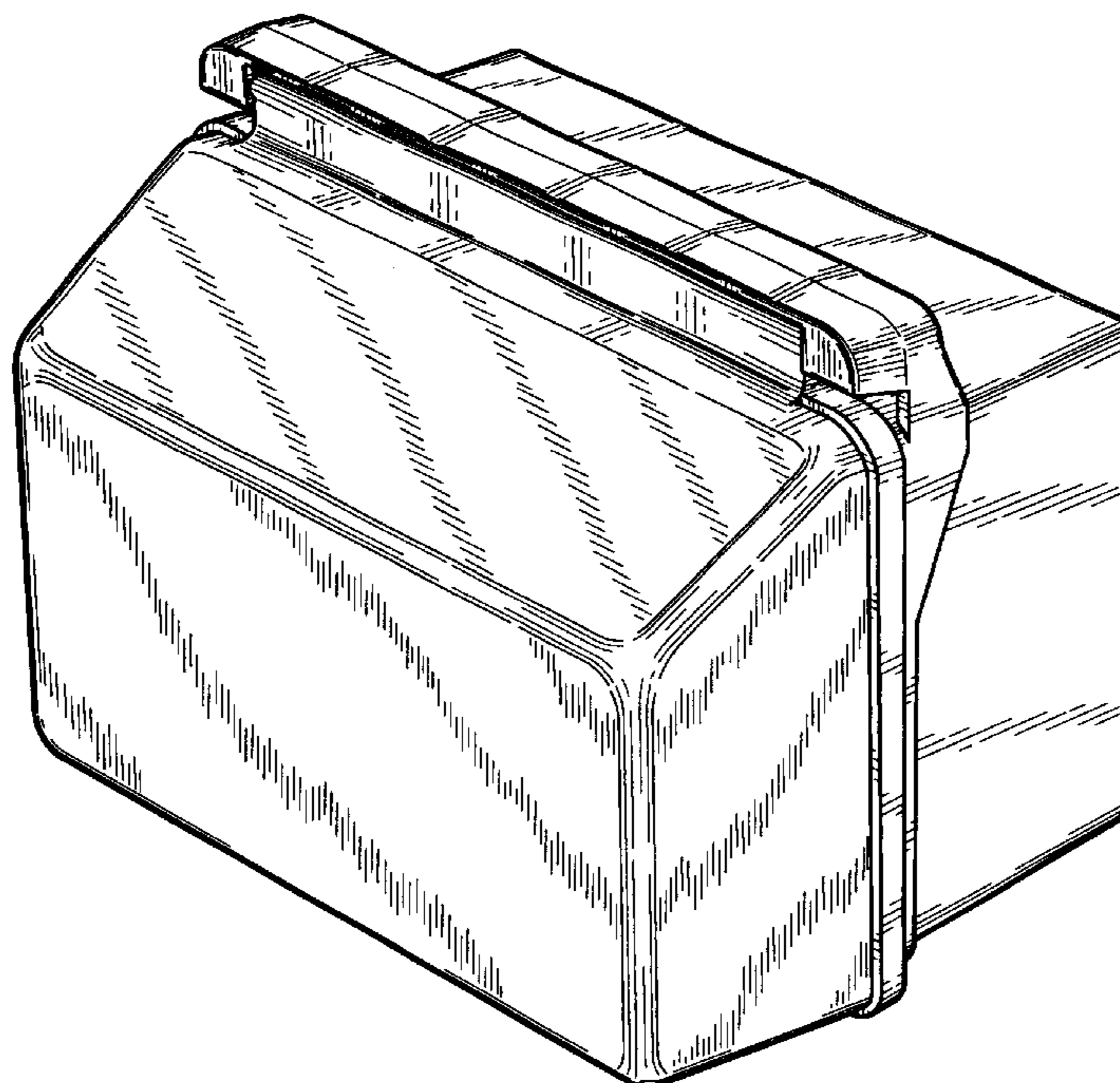
(57) **CLAIM**

The ornamental design for a horizontally-mounted, weatherproof, while-in-use, electrical receptacle cover assembly, as shown and described.

DESCRIPTION

FIG. 1 is a perspective view of a horizontally-mounted, weatherproof, while-in-use, electrical receptacle cover assembly showing my new design;
FIG. 2 is a front view thereof;
FIG. 3 is a rear view thereof;
FIG. 4 is a right side elevational view thereof, the left side elevational view being a mirror image thereof;
FIG. 5 is a top plan view thereof;
FIG. 6 is a bottom plan view thereof; and,
FIG. 7 is a perspective view similar to that of FIG.1, wherein the receptacle box shown in phantom is for illustrative purposes only and forms no part of the claimed design.

1 Claim, 6 Drawing Sheets



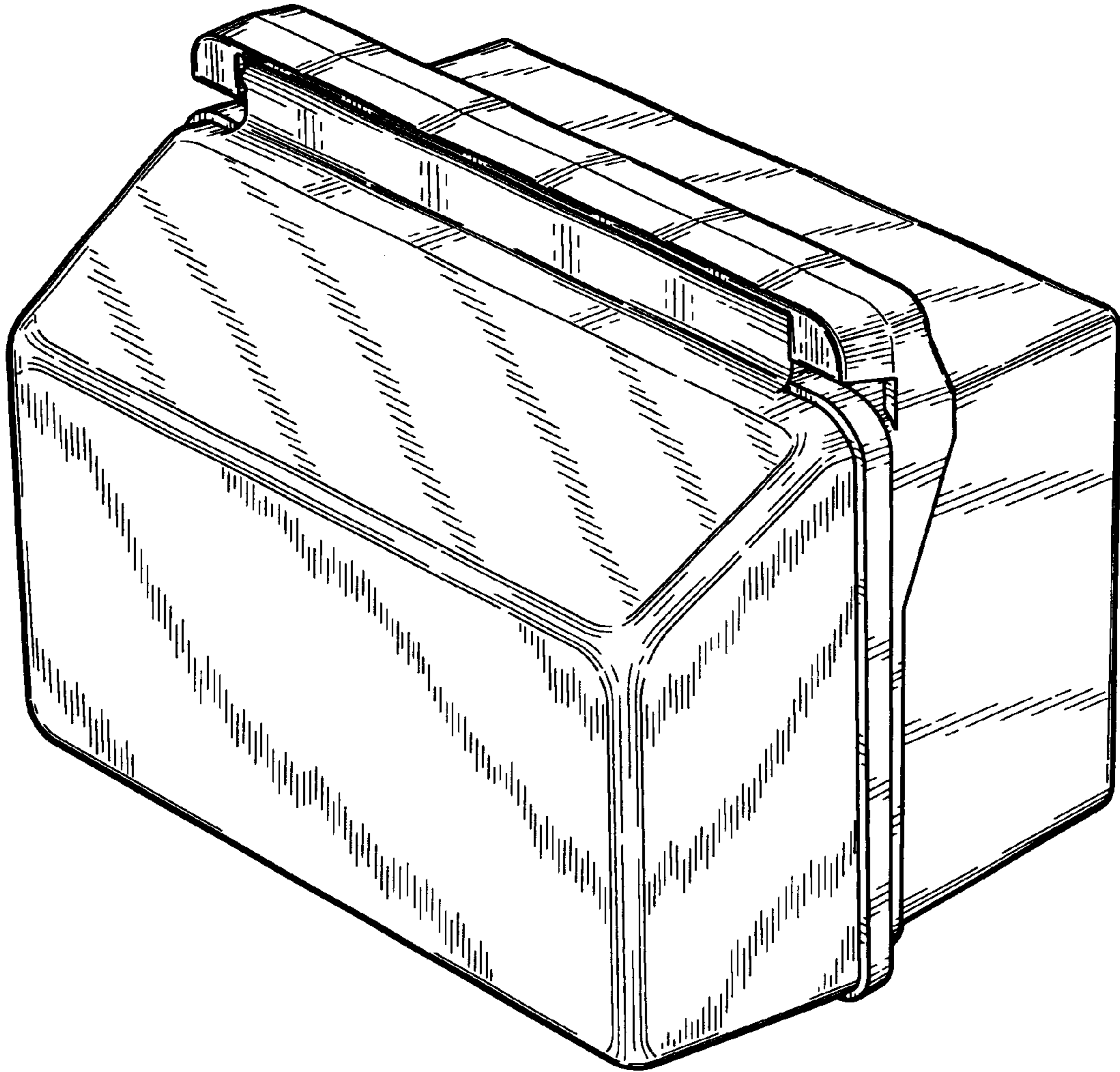


FIG. 1

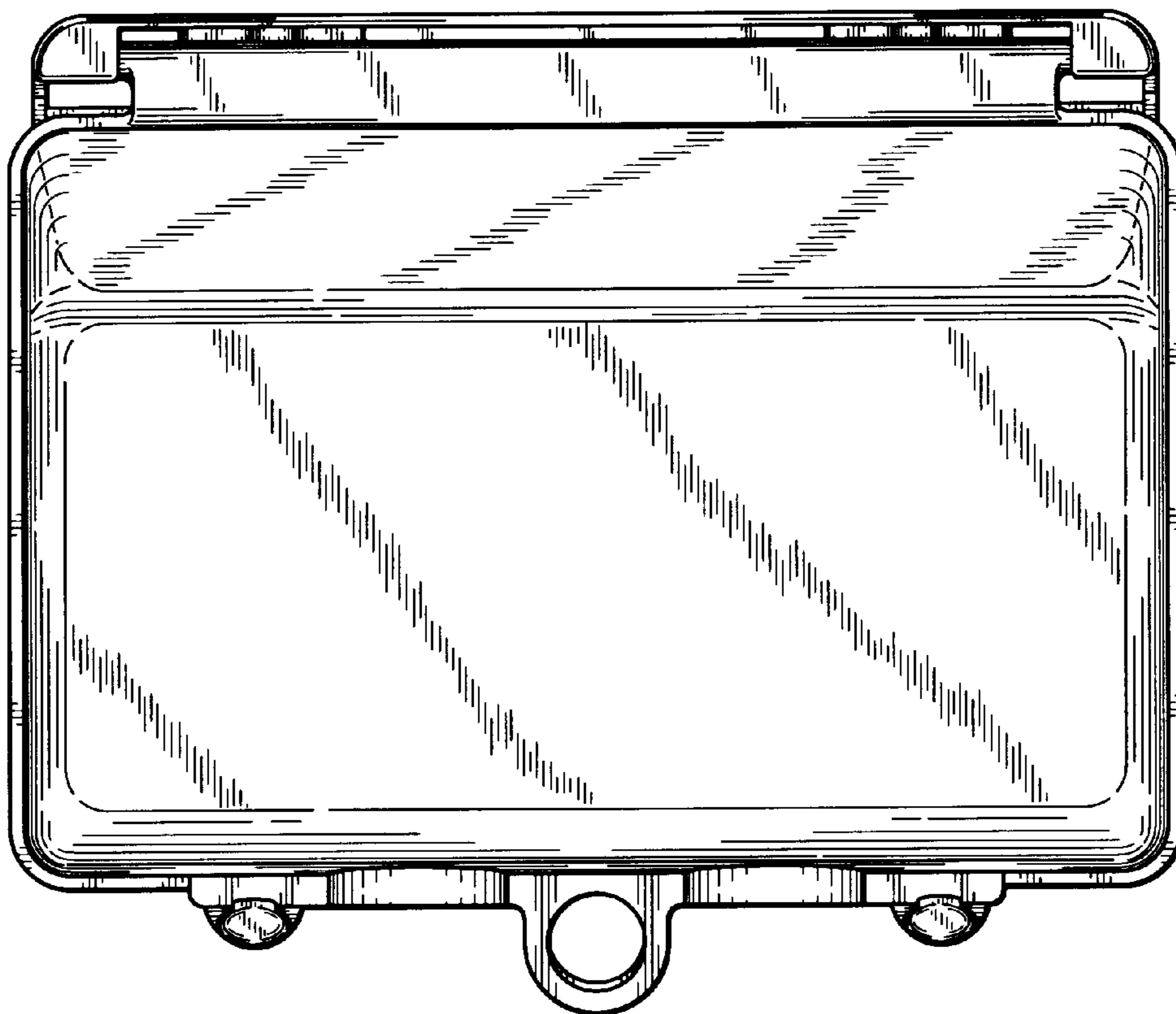


FIG. 2

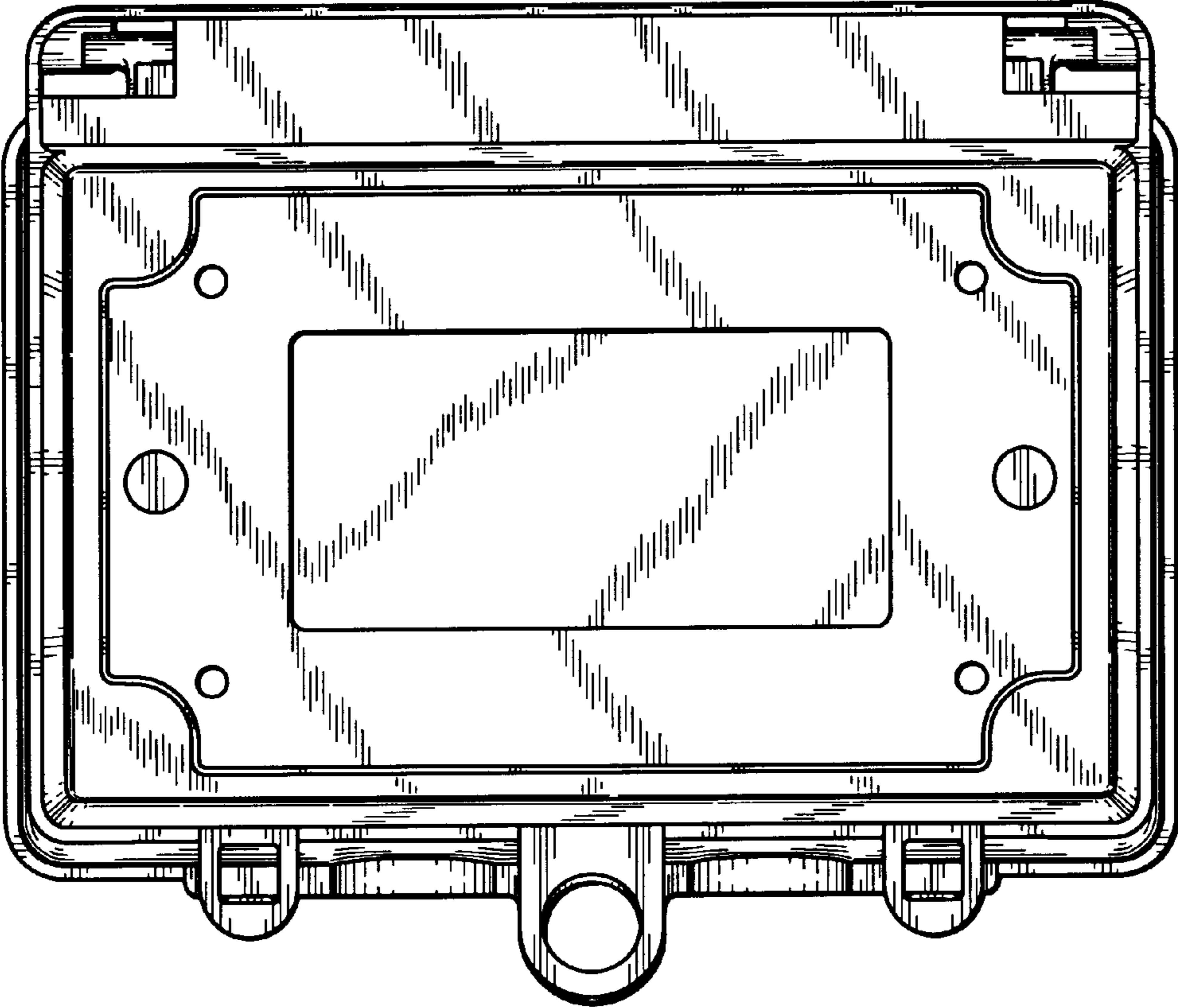


FIG. 3

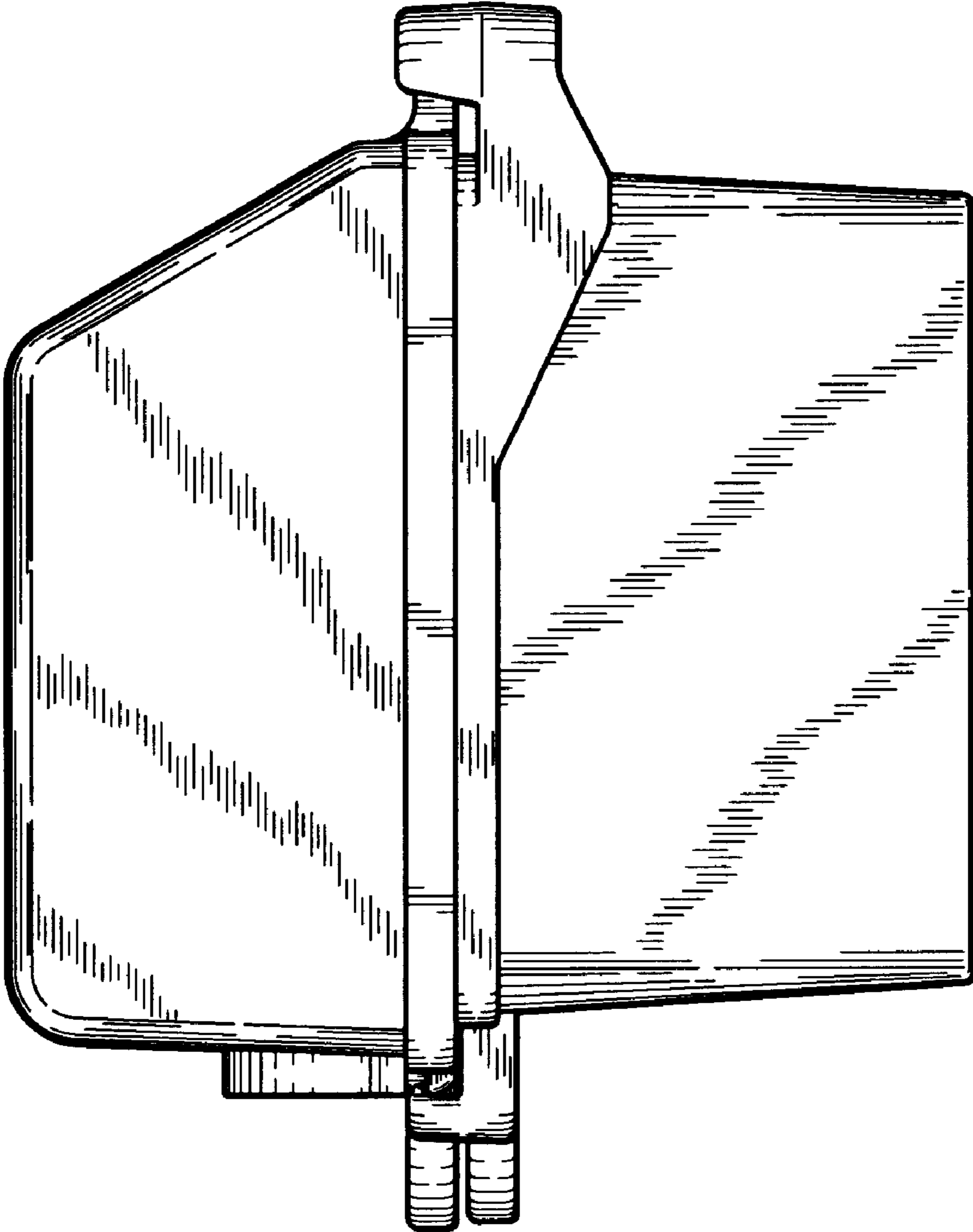


FIG. 4

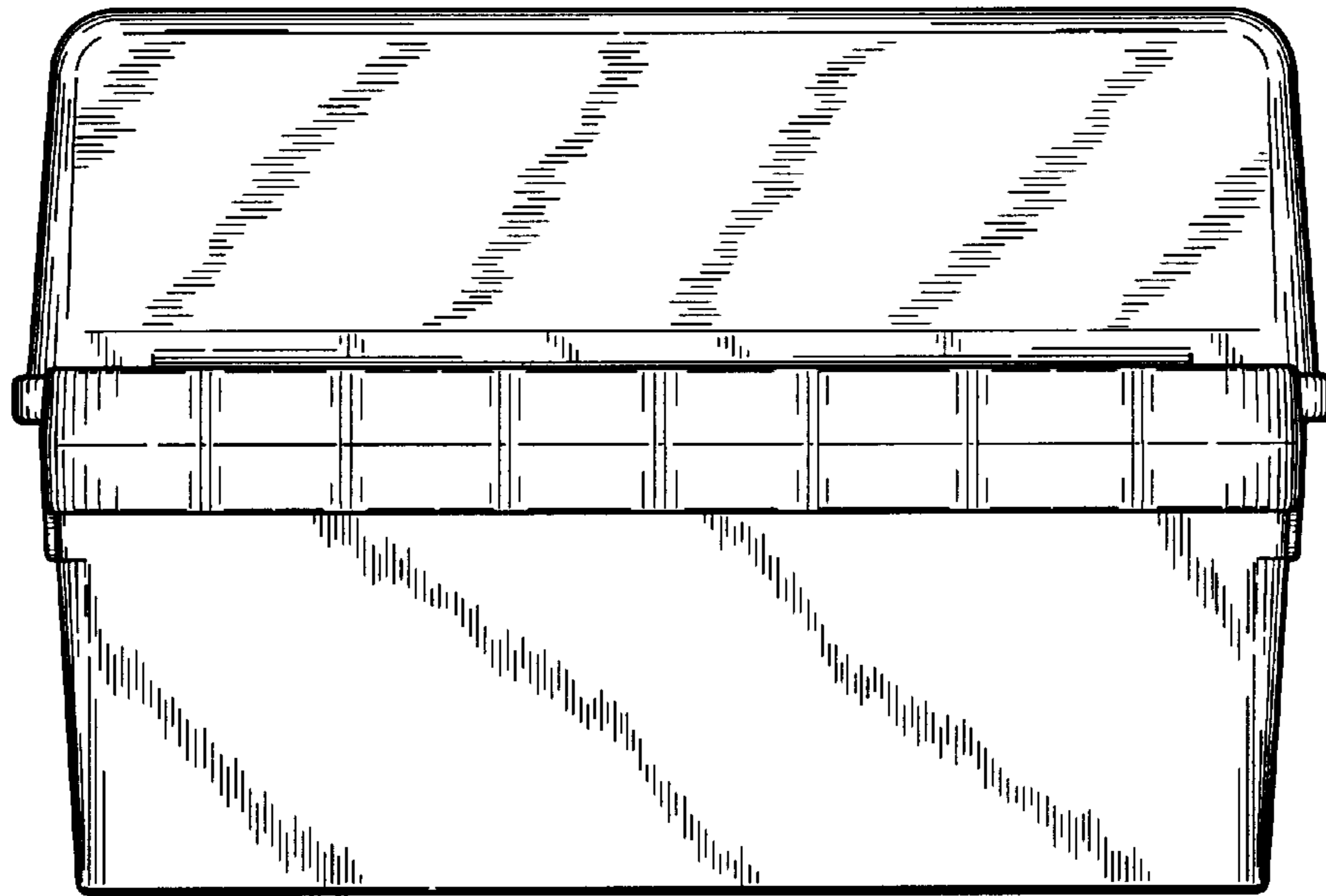


FIG. 5

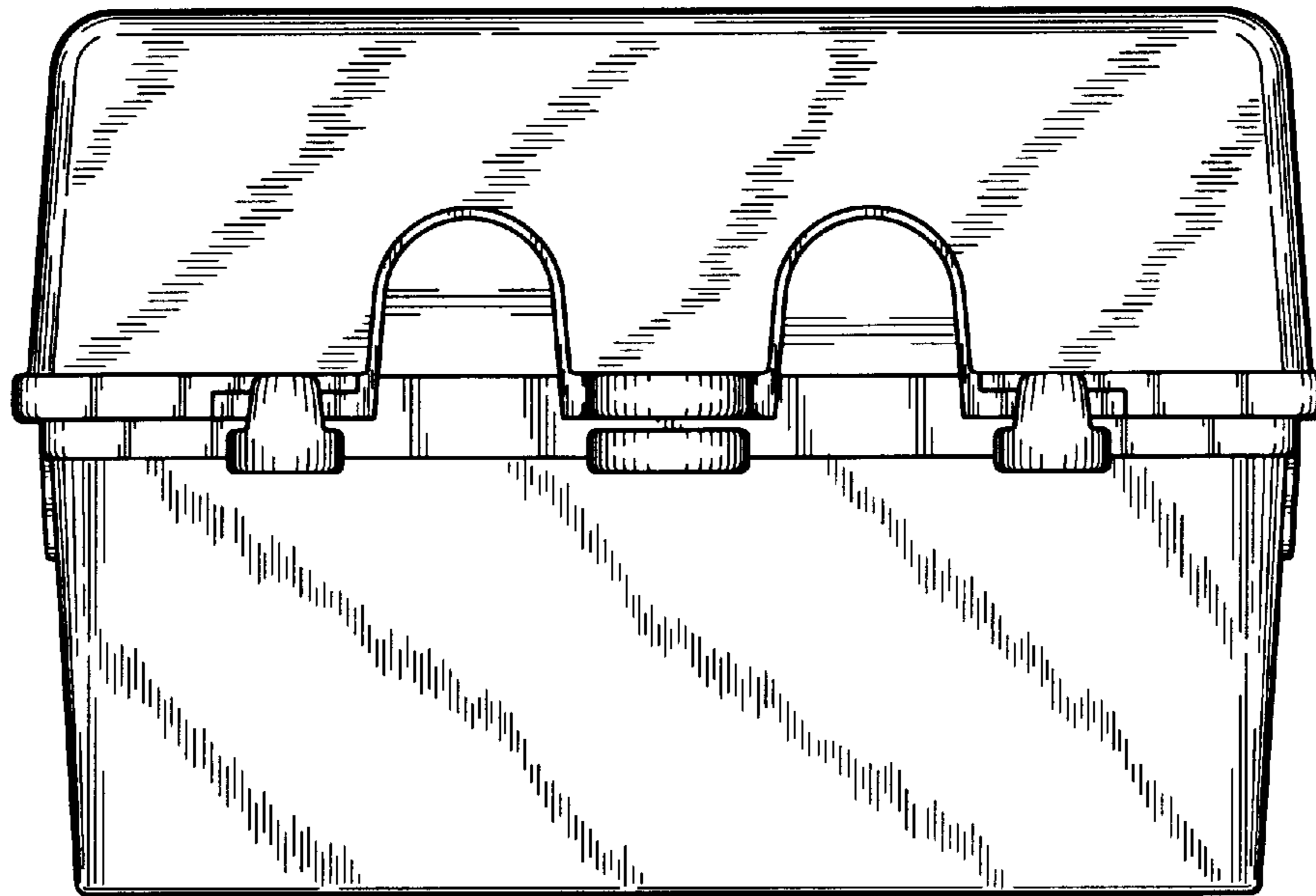


FIG. 6

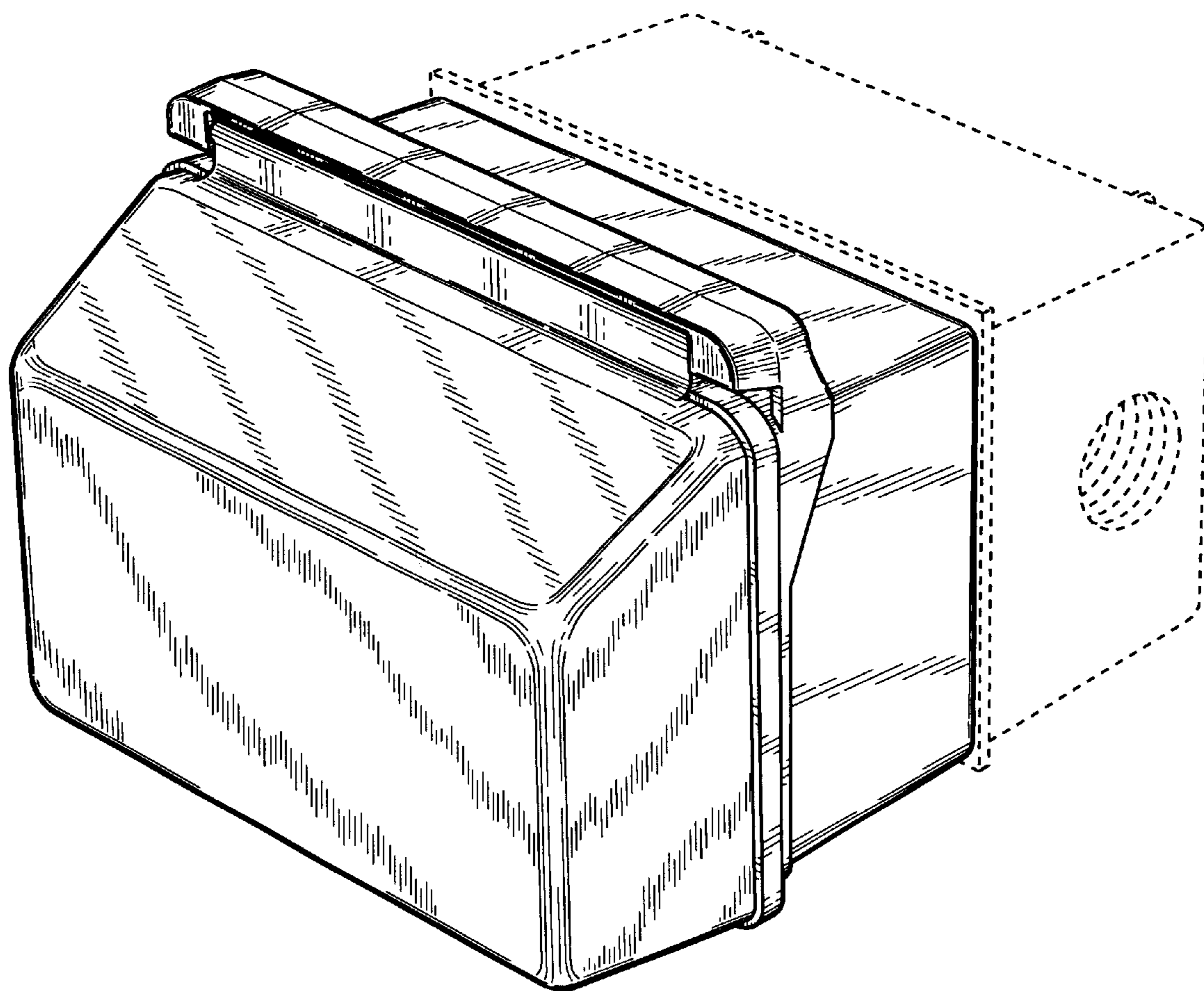


FIG. 7