

US00D529445S

(12) **United States Design Patent**
Ro

(10) **Patent No.:** **US D529,445 S**
(45) **Date of Patent:** **** Oct. 3, 2006**

- (54) **ELECTRIC CONNECTOR**
- (75) Inventor: **Young-Baik Ro**, Hwasung (KR)
- (73) Assignee: **UJU Electronics Co., Ltd.**, Hwasung (KR)
- (**) Term: **14 Years**
- (21) Appl. No.: **29/241,871**
- (22) Filed: **Nov. 1, 2005**
- (30) **Foreign Application Priority Data**
Sep. 7, 2005 (KR) 30-2005-0030294
- (51) **LOC (8) Cl.** **13-03**
- (52) **U.S. Cl.** **D13/147**
- (58) **Field of Classification Search** D13/133,
D13/146-147, 149, 154, 184; D14/432-436,
D14/438; 439/64, 79, 159-160, 260, 325,
439/329, 395, 422, 492, 495, 607-610, 630,
439/862
See application file for complete search history.

- 6,066,000 A 5/2000 Masumoto et al.
- 6,315,616 B1 11/2001 Hayashi
- 6,368,148 B1 4/2002 Fogg et al.
- D482,001 S * 11/2003 Hisamatsu et al. D13/147
- D492,935 S * 7/2004 Mitsuhashi et al. D13/147
- D497,595 S * 10/2004 Hisamatsu et al. D13/147
- D497,596 S * 10/2004 Hisamatsu et al. D13/147
- 6,814,614 B1 * 11/2004 Kuroki et al. 439/579
- 7,018,238 B1 * 3/2006 Zhi-xuan 439/607
- 7,029,330 B1 * 4/2006 Ro 439/607
- 2004/0235340 A1 * 11/2004 Noro 439/492

* cited by examiner

Primary Examiner—Nanda Bondade
Assistant Examiner—Daniel Bui
(74) *Attorney, Agent, or Firm*—IPLA P.A.; James E. Bame

(57) **CLAIM**

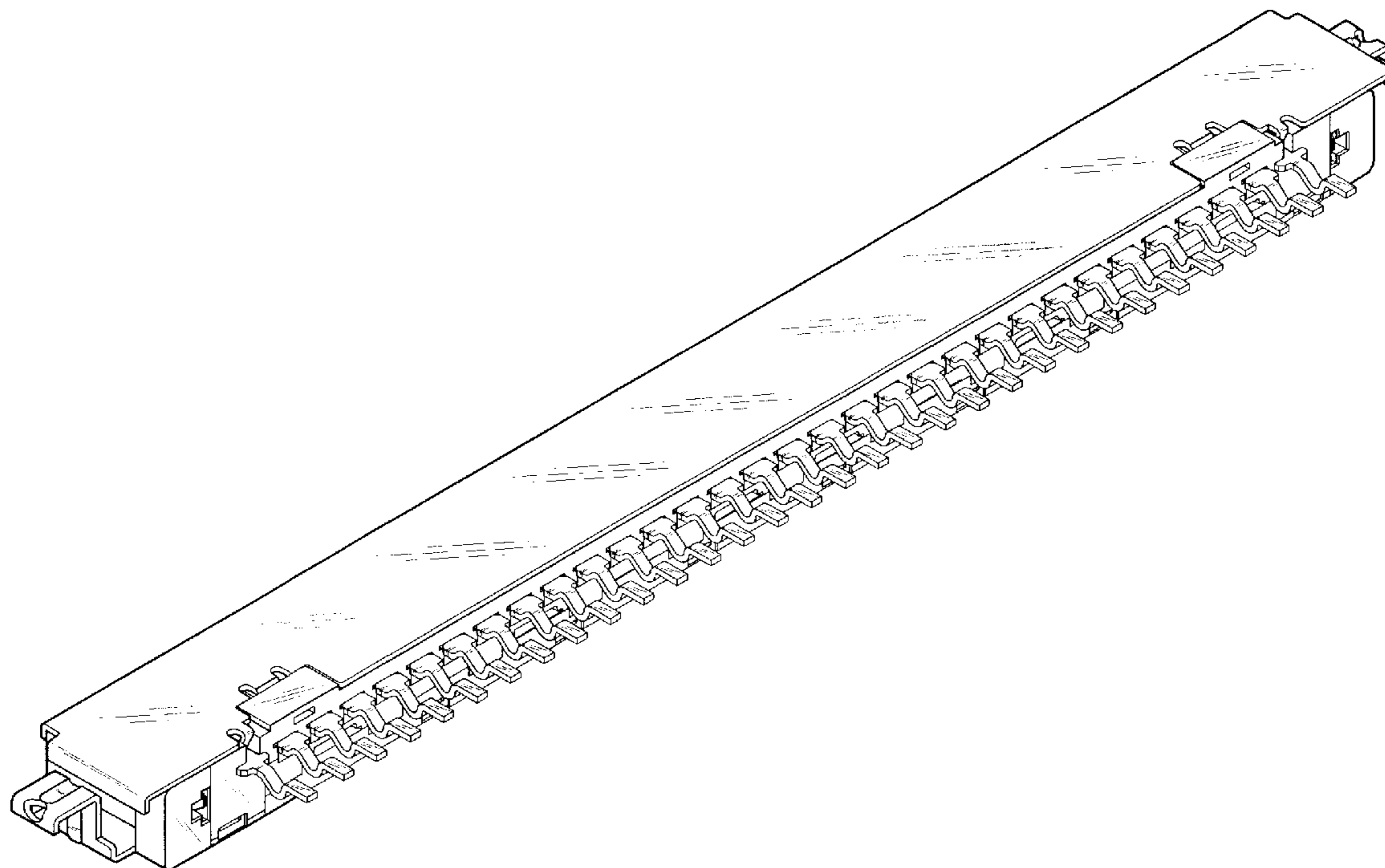
The ornamental design for an electric connector, as shown and described.

DESCRIPTION

FIG. 1 is a perspective view of an electric connector showing my new design;
FIG. 2 is a front elevational view thereof;
FIG. 3 is a side elevational view thereof, the opposite side being a mirror image;
FIG. 4 is a rear elevational view thereof;
FIG. 5 is a top plan view thereof; and,
FIG. 6 is a bottom plan view thereof.

1 Claim, 3 Drawing Sheets

- (56) **References Cited**
U.S. PATENT DOCUMENTS
- 4,687,263 A 8/1987 Cosmos et al.
- 4,747,787 A 5/1988 Siwinski
- 5,116,239 A 5/1992 Siwinski
- 5,509,827 A 4/1996 Huppenthal et al.
- 5,738,545 A 4/1998 Igarashi et al.
- 5,984,698 A 11/1999 Hirata



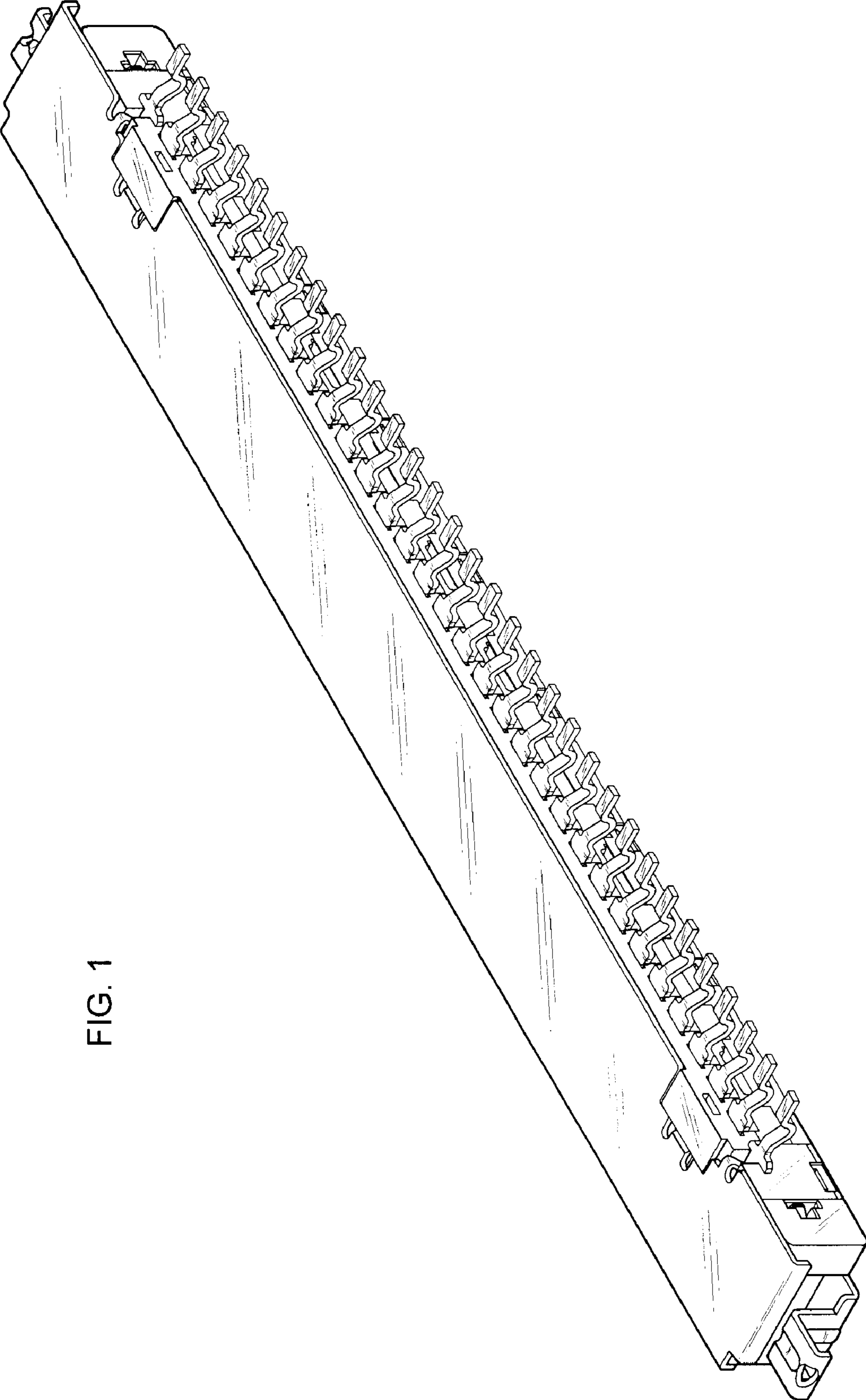


FIG. 1

FIG. 2

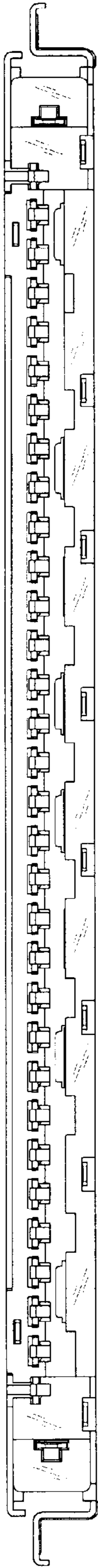


FIG. 3

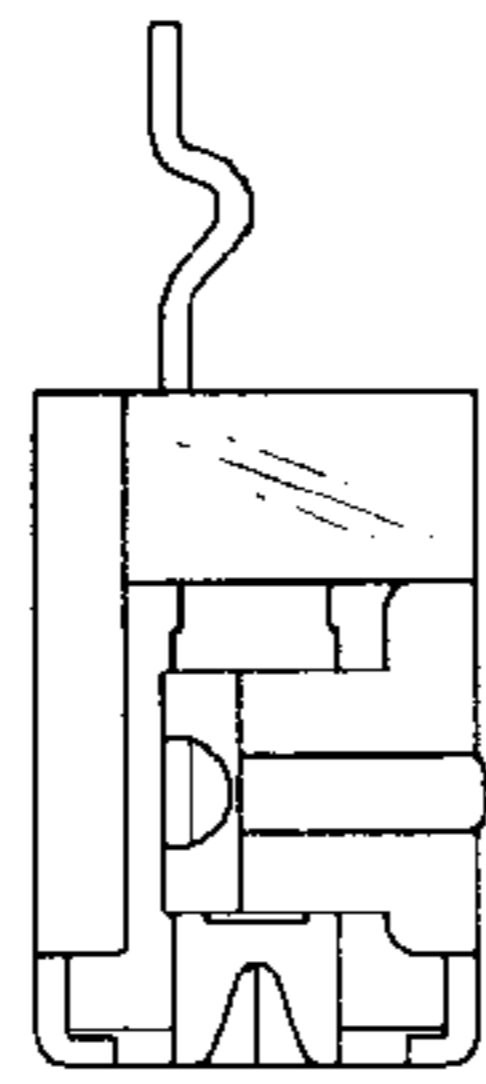


FIG. 4

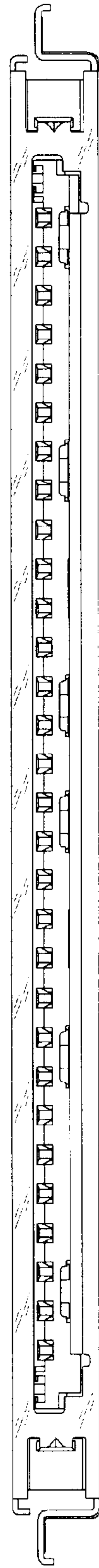


FIG. 5

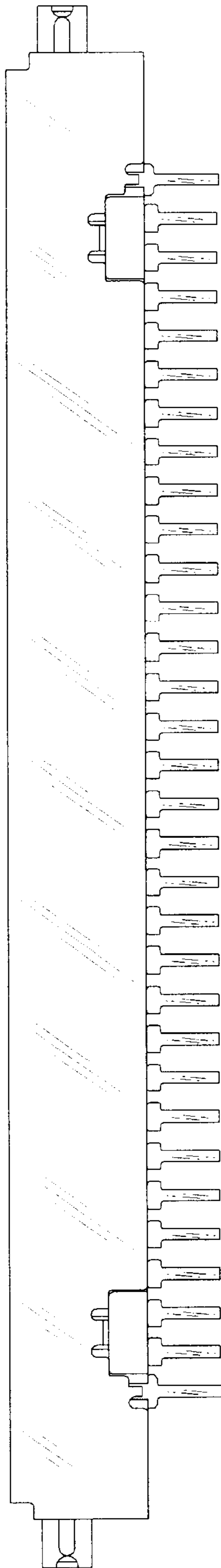


FIG. 6

