



US00D529441S

(12) **United States Design Patent**
LaPere

(10) **Patent No.:** **US D529,441 S**

(45) **Date of Patent:** **** Oct. 3, 2006**

(54) **METALLIC SEAL FOR AN UNDERWATER LUMINAIRE**

(76) Inventor: **Roland Eugene LaPere**, 16867 Wells St., Lake Elsinore, CA (US) 92530

(**) Term: **14 Years**

(21) Appl. No.: **29/216,774**

(22) Filed: **Nov. 8, 2004**

(51) **LOC (8) Cl.** **13-03**

(52) **U.S. Cl.** **D13/133**

(58) **Field of Classification Search** D13/123, D13/133, 146, 147, 154, 184, 199; 439/180, 439/278, 280-282, 304, 374, 378, 380, 527, 439/578, 585, 680, 752

See application file for complete search history.

(56) **References Cited**

U.S. PATENT DOCUMENTS

D148,897 S	*	3/1948	Ward et al.	D13/133
4,531,798 A	*	7/1985	Baur et al.	439/368
4,575,274 A	*	3/1986	Hayward	403/2
4,801,277 A	*	1/1989	Seilhan	439/680

D312,813 S	*	12/1990	Takizawa	D13/133
D336,070 S	*	6/1993	Clark	D13/133
D339,793 S	*	9/1993	Nardi et al.	D13/149
5,626,486 A	*	5/1997	Shelly et al.	439/281
5,857,873 A	*	1/1999	Castaldo	439/588
D406,816 S	*	3/1999	Hopper et al.	D13/146
5,888,083 A	*	3/1999	Seilhan et al.	439/161

* cited by examiner

Primary Examiner—Stella Reid

Assistant Examiner—Daniel Bui

(74) *Attorney, Agent, or Firm*—Ronald M. Goldman

(57) **CLAIM**

The ornamental design for a metallic seal for an underwater luminaire, as shown and described.

DESCRIPTION

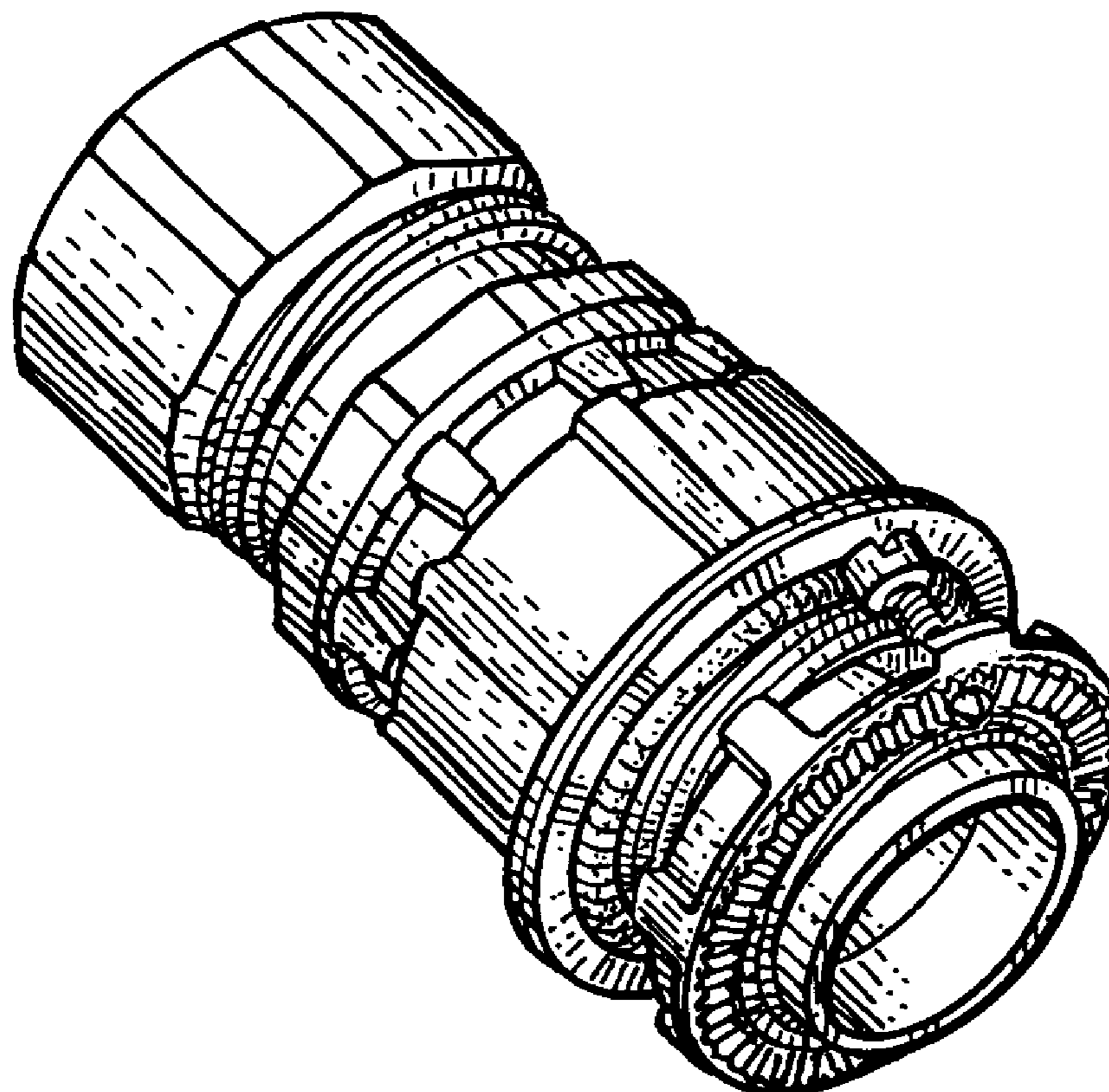
FIG. 1 is a perspective view of a metallic seal, showing my new design;

FIG. 2 is a left side view thereof, the right side being a mirror image thereof;

FIG. 3 is a front elevational view thereof; and,

FIG. 4 is a rear elevational view thereof.

1 Claim, 1 Drawing Sheet



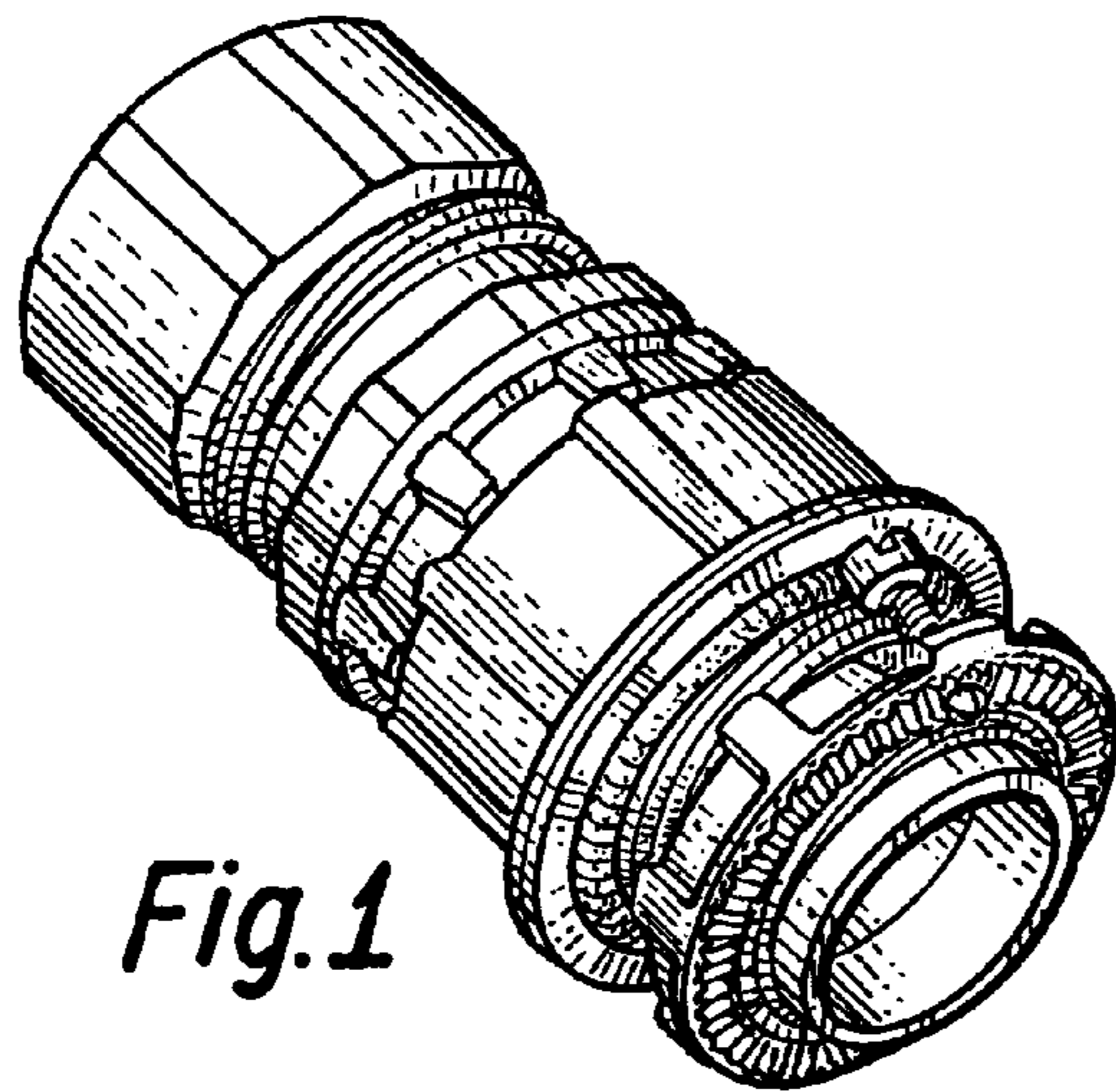


Fig.1

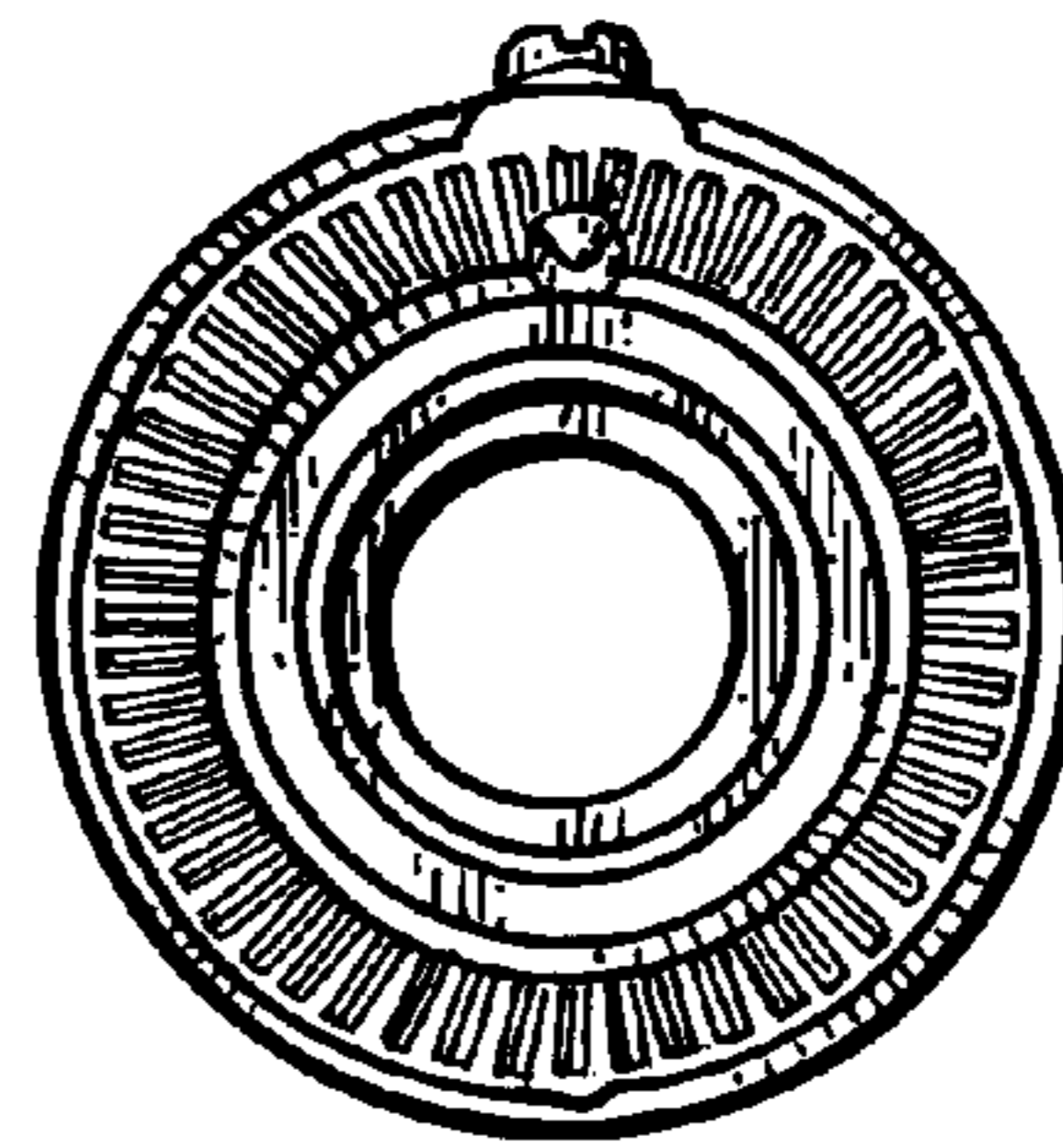


Fig.3

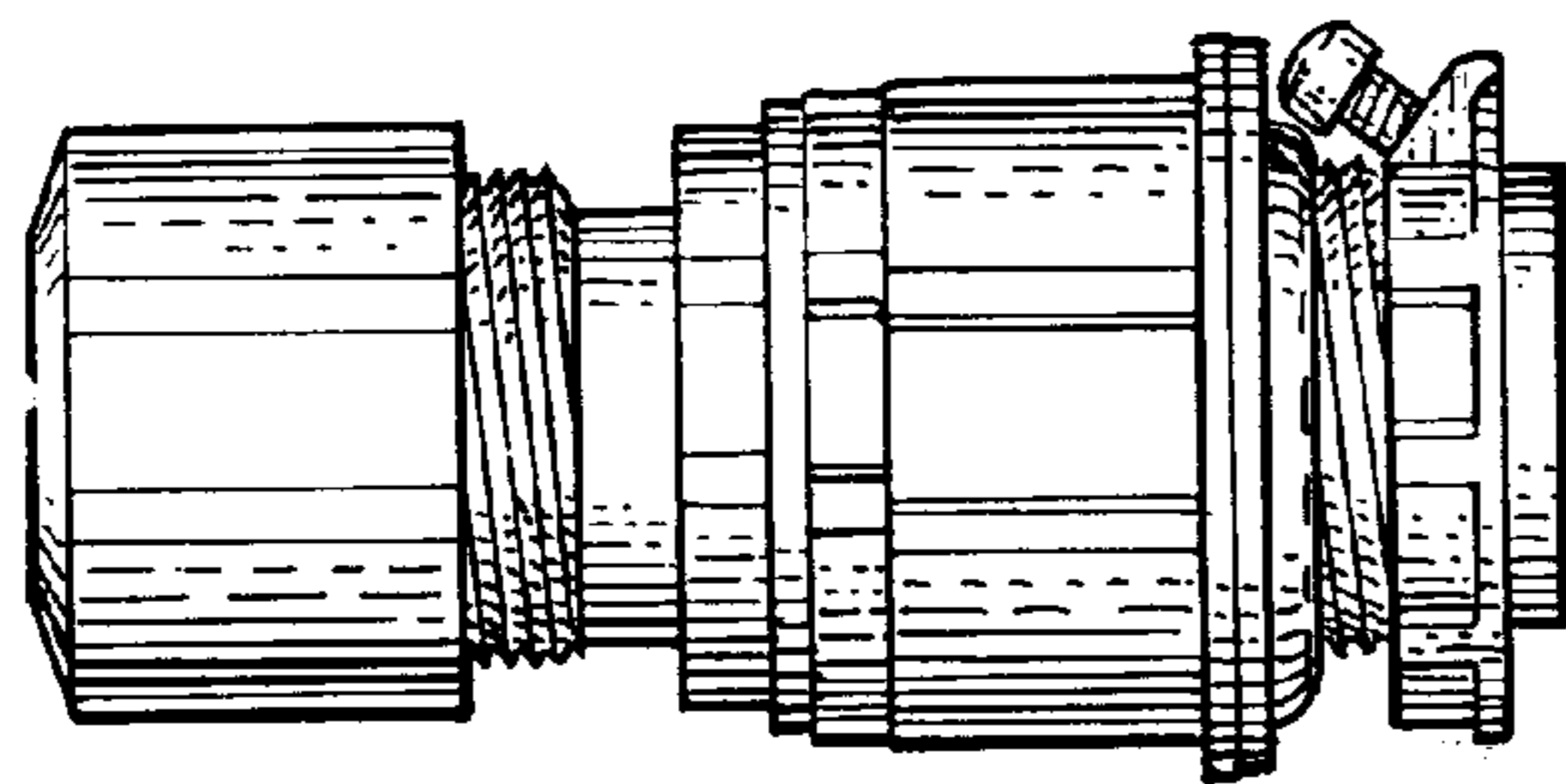


Fig.2

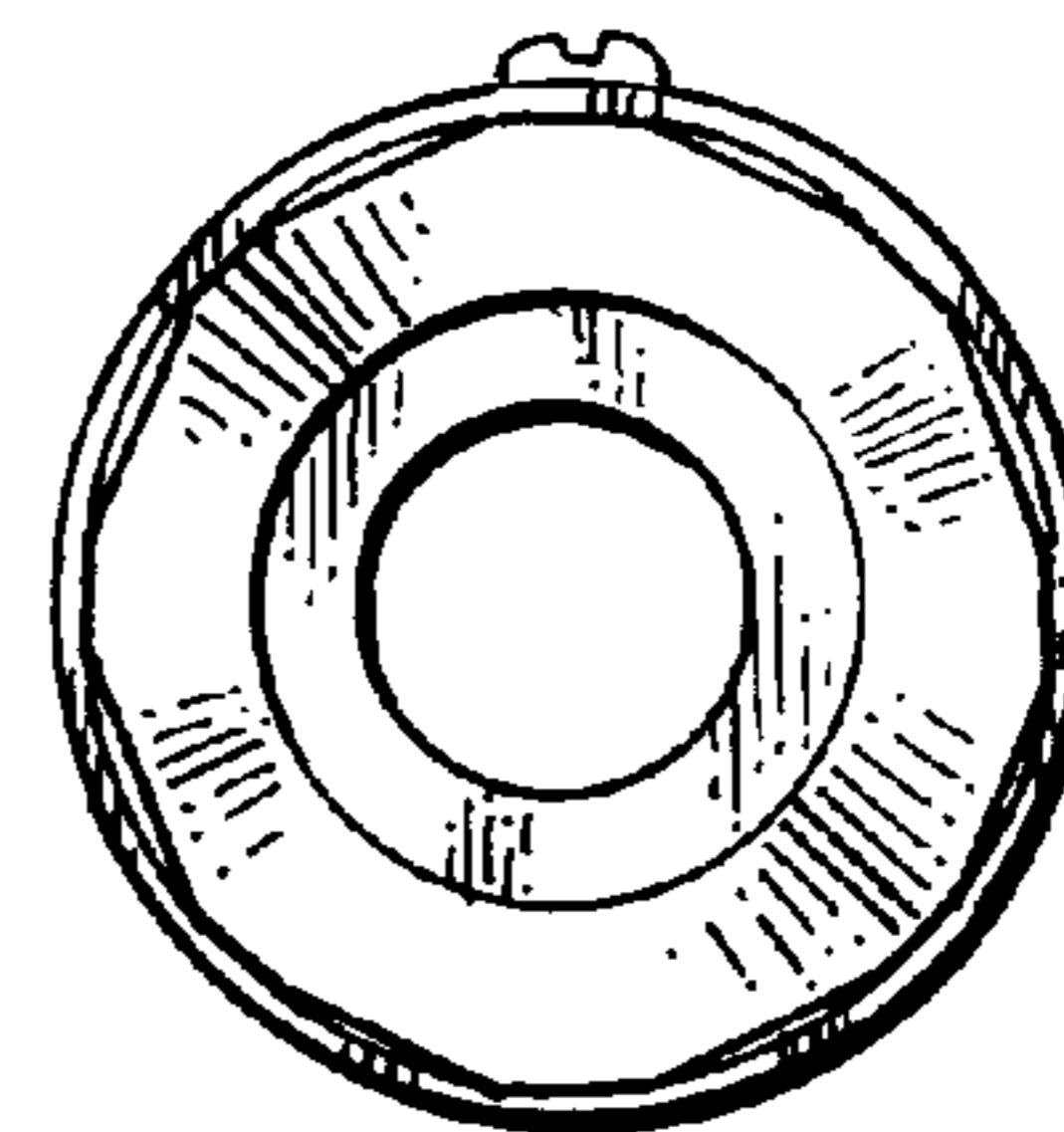


Fig.4