

US00D529440S

(12) **United States Design Patent**  
**Lodato et al.**

(10) **Patent No.:** **US D529,440 S**  
(45) **Date of Patent:** **\*\* Oct. 3, 2006**

(54) **CRADLE FOR A COMMUNICATION DEVICE**

(75) Inventors: **Franco Lodato**, Weston, FL (US);  
**Orlando Hernandez**, Sunrise, FL (US);  
**Miguel A. Morales**, Miami Beach, FL (US)

(73) Assignee: **Motorola, Inc.**, Schaumburg, IL (US)

(\*\*) Term: **14 Years**

(21) Appl. No.: **29/236,609**

(22) Filed: **Aug. 17, 2005**

(51) **LOC (8) Cl.** ..... **13-02**

(52) **U.S. Cl.** ..... **D13/108**

(58) **Field of Classification Search** ..... D13/106-110,  
D13/118-119, 184; D14/251, 253, 432, 434;  
320/103-105, 107-115

See application file for complete search history.

(56) **References Cited**

**U.S. PATENT DOCUMENTS**

D396,447 S	7/1998	Lloyd et al.	
D429,242 S	* 8/2000	Sun	D14/253
D445,087 S	* 7/2001	Skoger et al.	D13/108
D454,131 S	* 3/2002	Lord	D14/434
6,356,054 B1	* 3/2002	Herrmann	320/115
D455,396 S	* 4/2002	Scott et al.	D13/108
D456,005 S	4/2002	Jokinen	
D469,073 S	* 1/2003	Muensch et al.	D14/149
D488,439 S	* 4/2004	Orthey	D13/107
D488,440 S	* 4/2004	Senda	D13/108

D501,191 S	* 1/2005	Siebke	D14/149
D504,397 S	4/2005	Lodato et al.	
D508,019 S	* 8/2005	Lamason et al.	D13/108
D510,208 S	* 10/2005	Klimas	D6/466
D514,062 S	* 1/2006	Chang	D13/108
D520,013 S	* 5/2006	Yang	D14/434

\* cited by examiner

*Primary Examiner*—Alan P. Douglas

*Assistant Examiner*—Rosemary K. Tarcza

(74) *Attorney, Agent, or Firm*—Design IP

(57) **CLAIM**

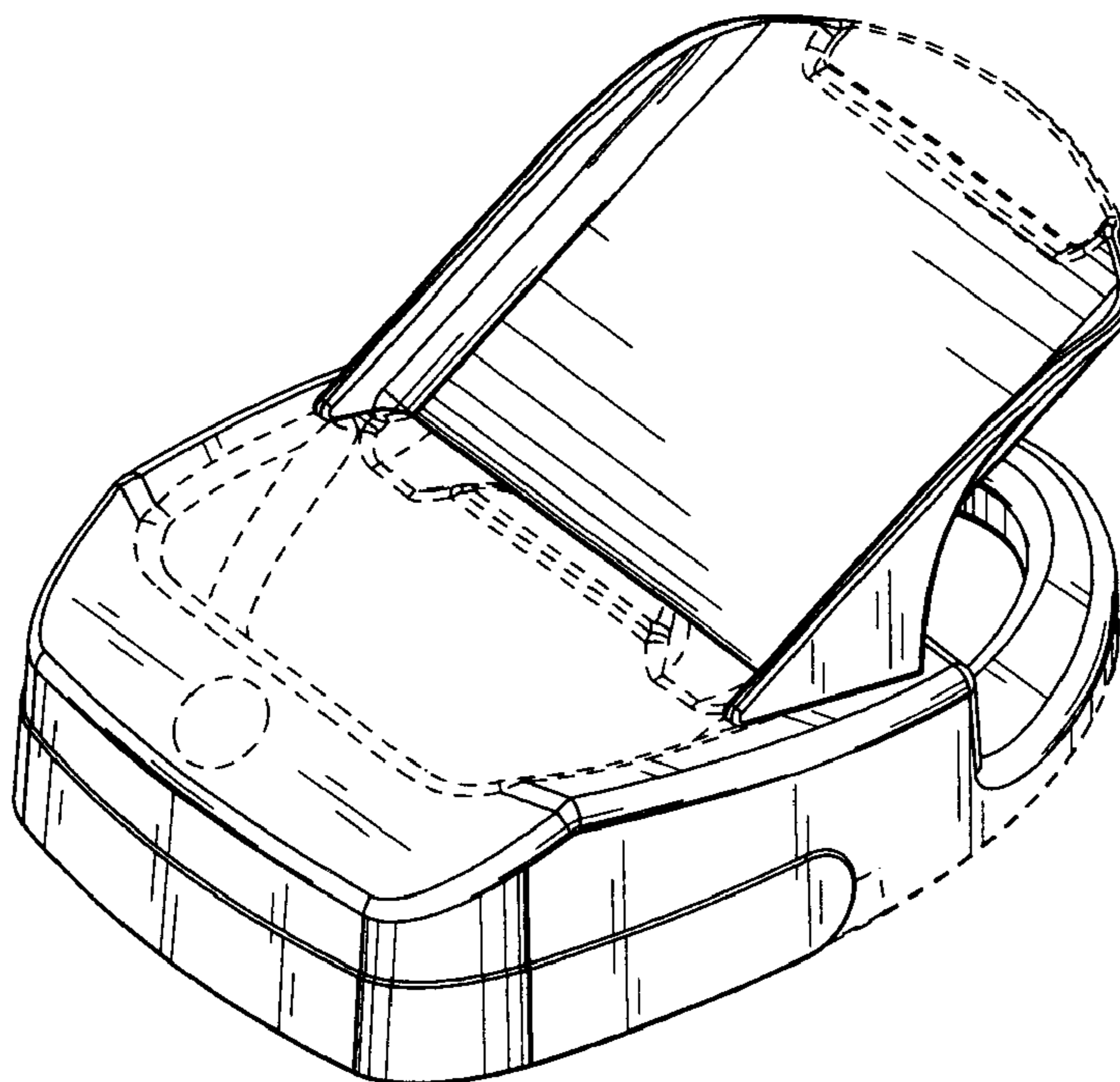
The ornamental design for a cradle for a communication device, as shown and described.

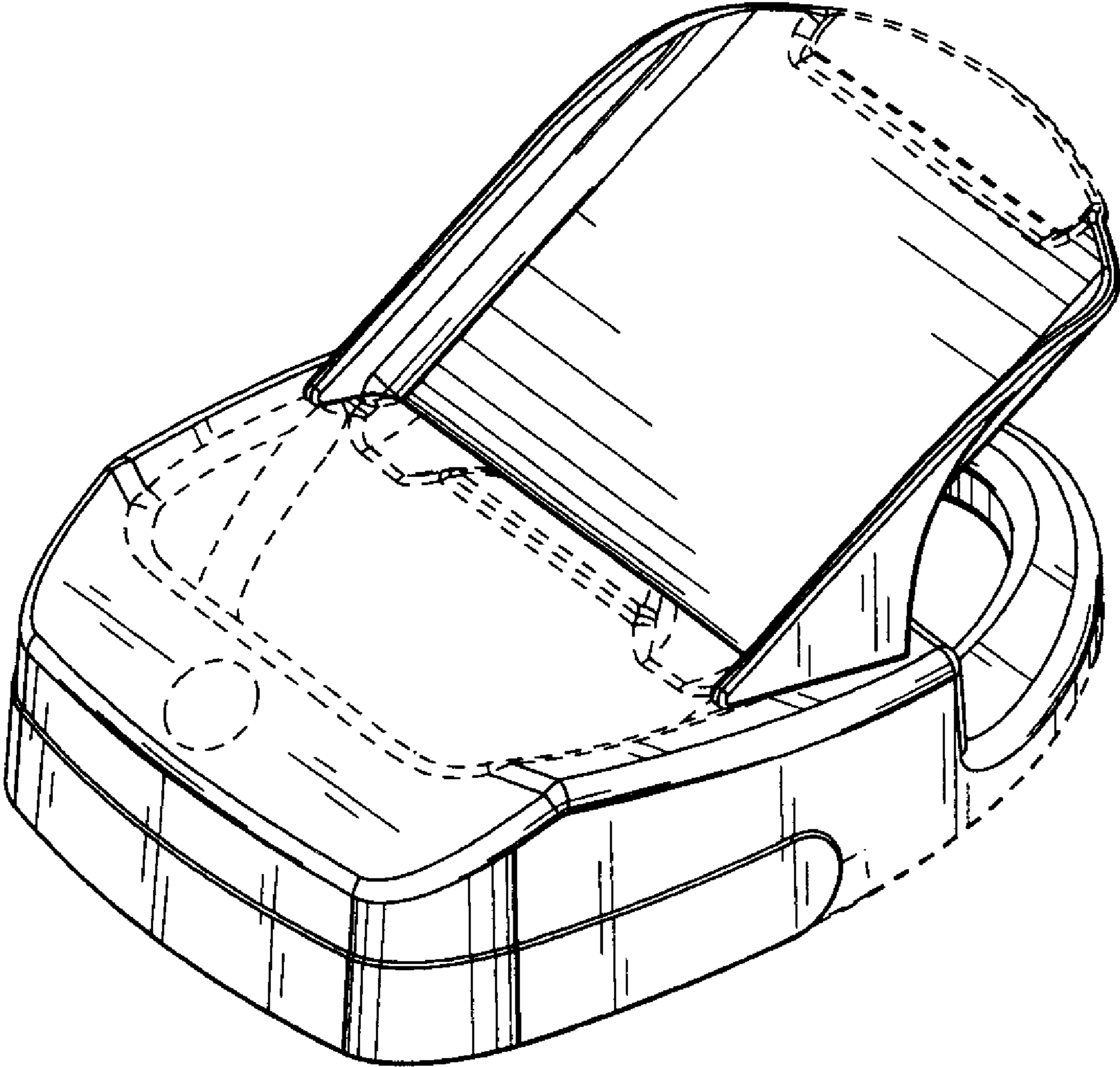
**DESCRIPTION**

FIG. 1 is an isometric view of an ornamental design for a cradle for a communication device showing our new design; FIG. 2 is a front orthographic view thereof; FIG. 3 is a rear orthographic view thereof; FIG. 4 is a left side orthographic view thereof; FIG. 5 is a right side orthographic view thereof; FIG. 6 is a top orthographic view thereof; and, FIG. 7 is a top orthographic view thereof with a portion of the claimed design removed, in order to show portions of the claimed design that are obscured in FIG. 6.

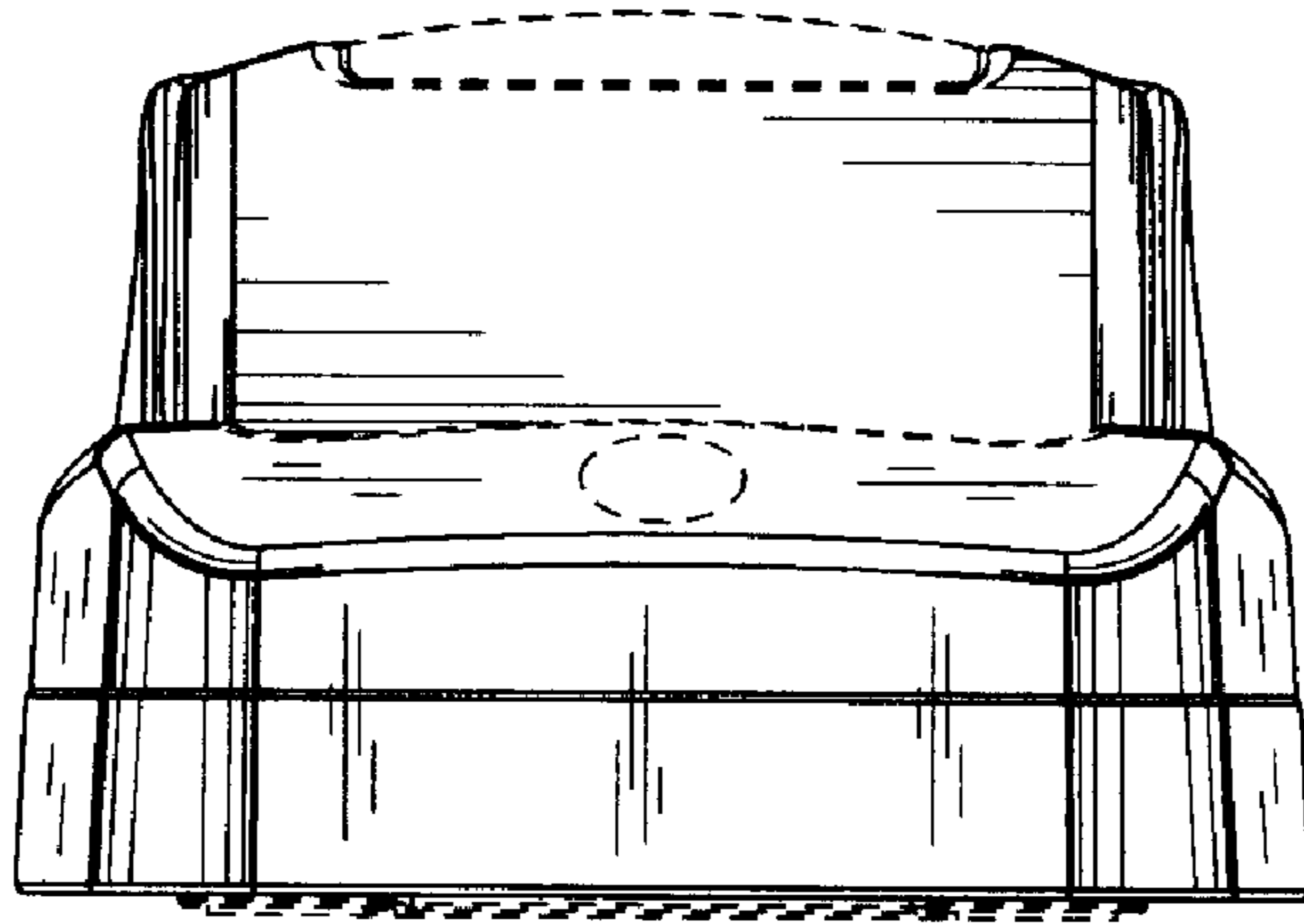
The broken lines shown in FIGS. 1-7 are included for the purpose of illustrating environmental elements only and form no part of the claimed design. The bottom view is omitted and forms no part of the claimed design.

**1 Claim, 4 Drawing Sheets**

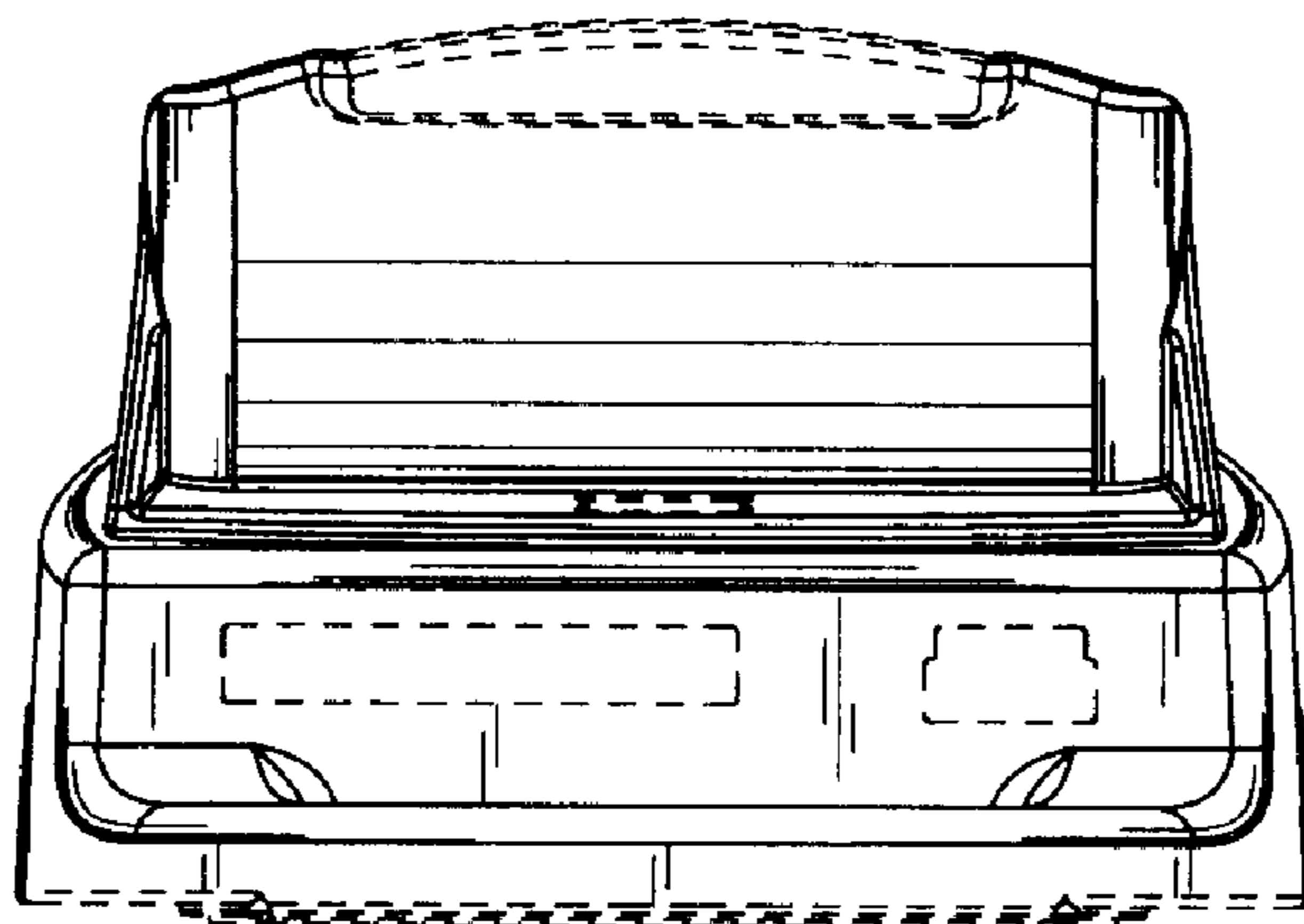




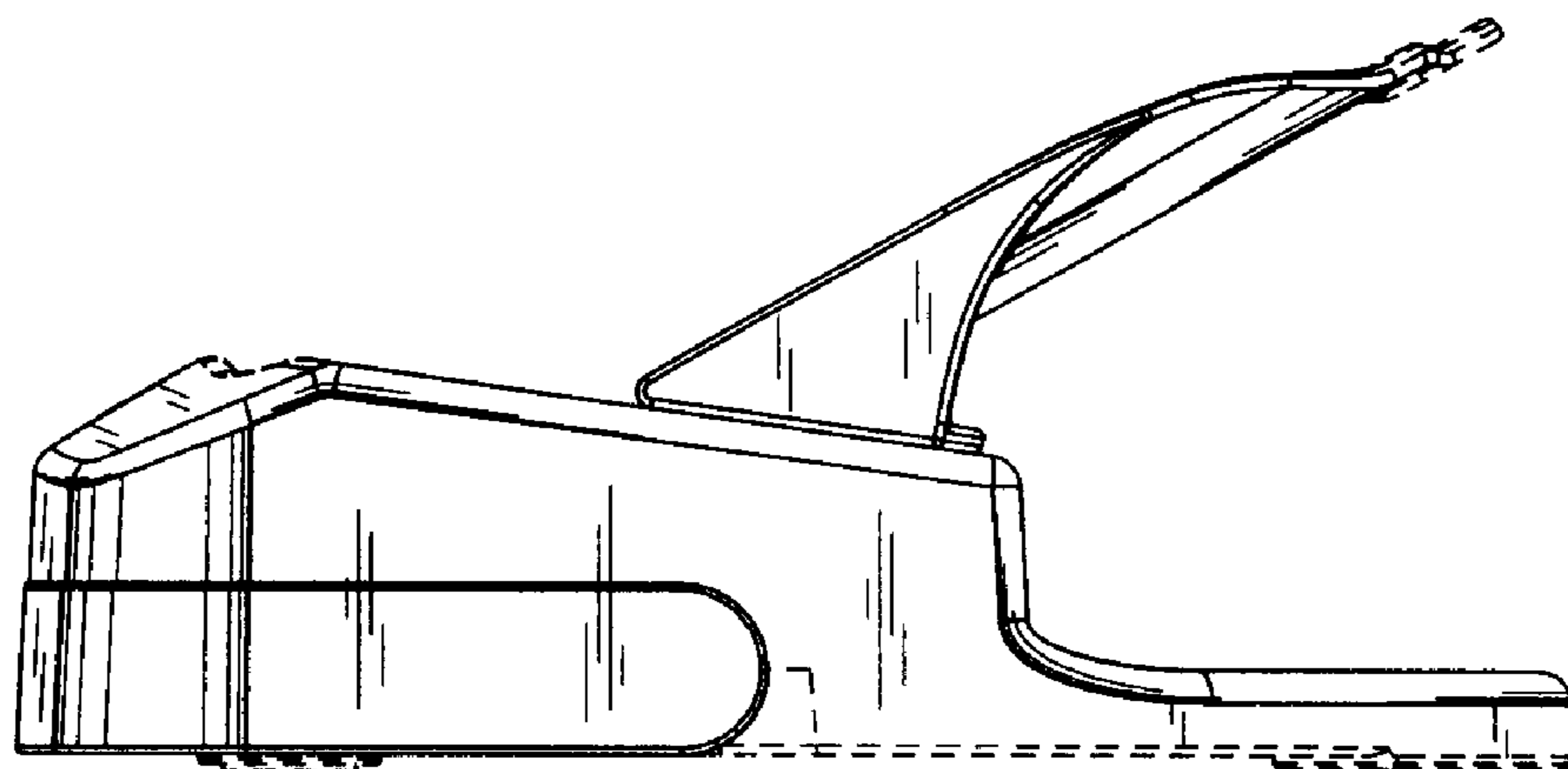
*FIG. 1*



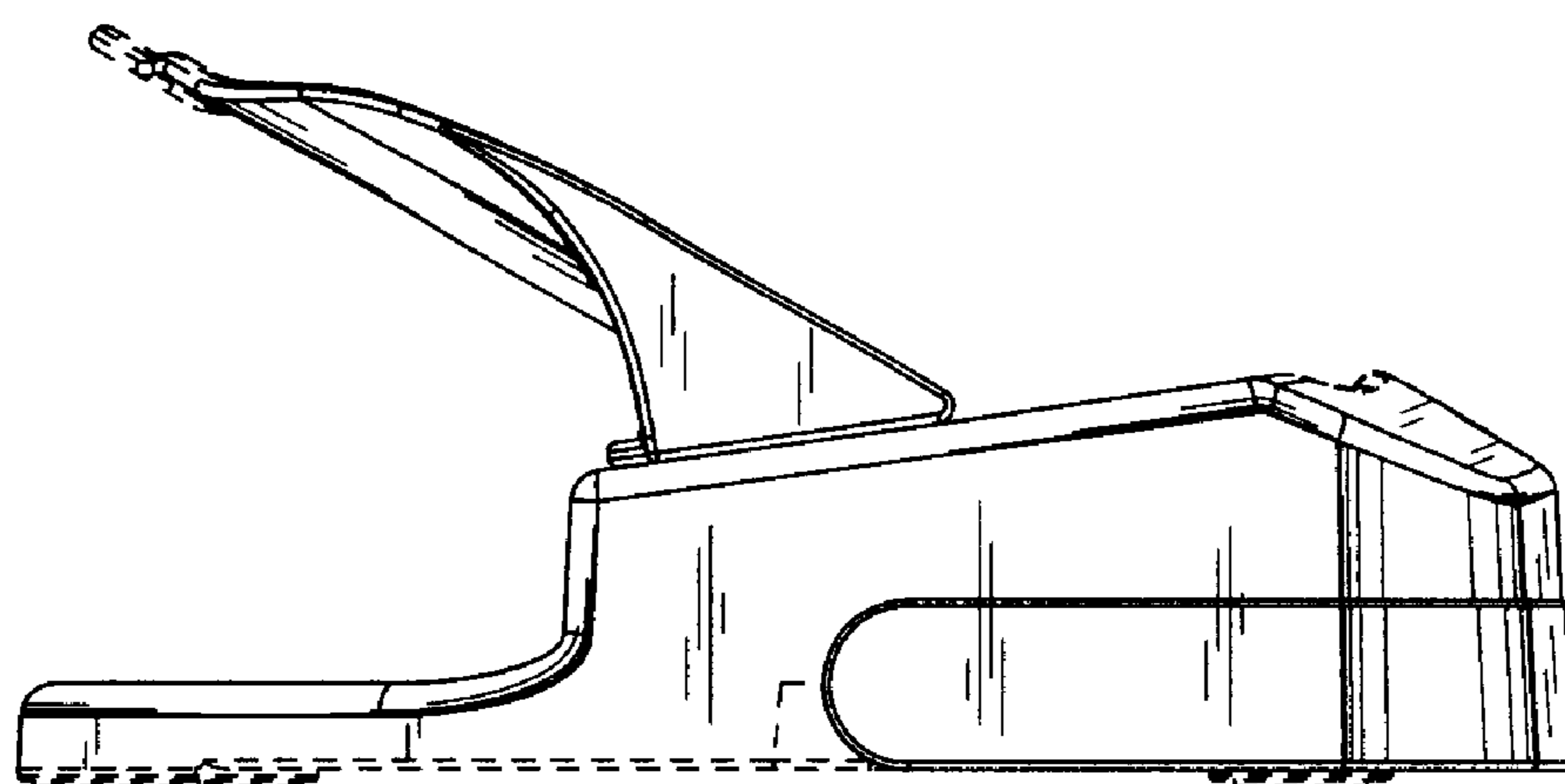
*FIG. 2*



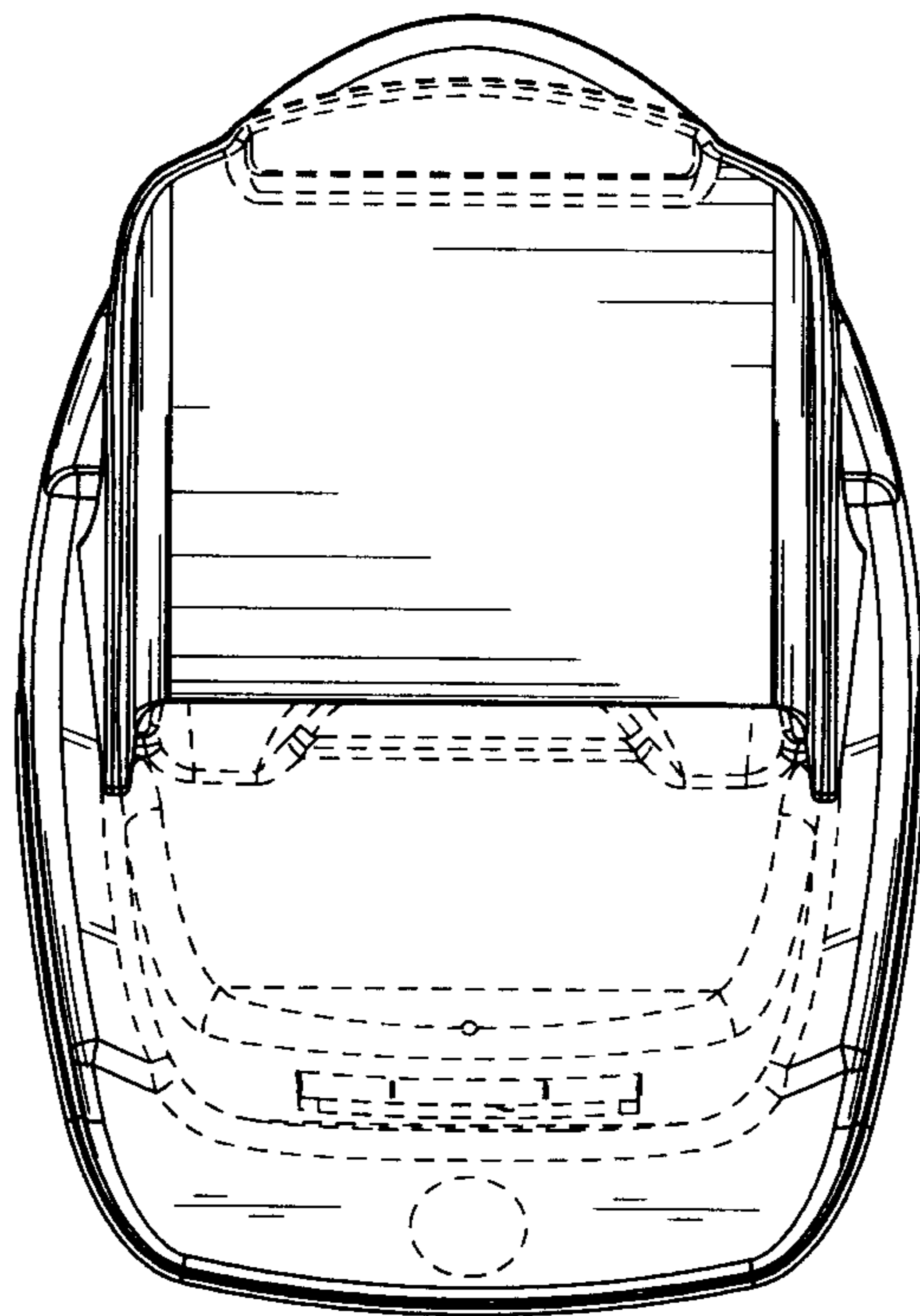
*FIG. 3*



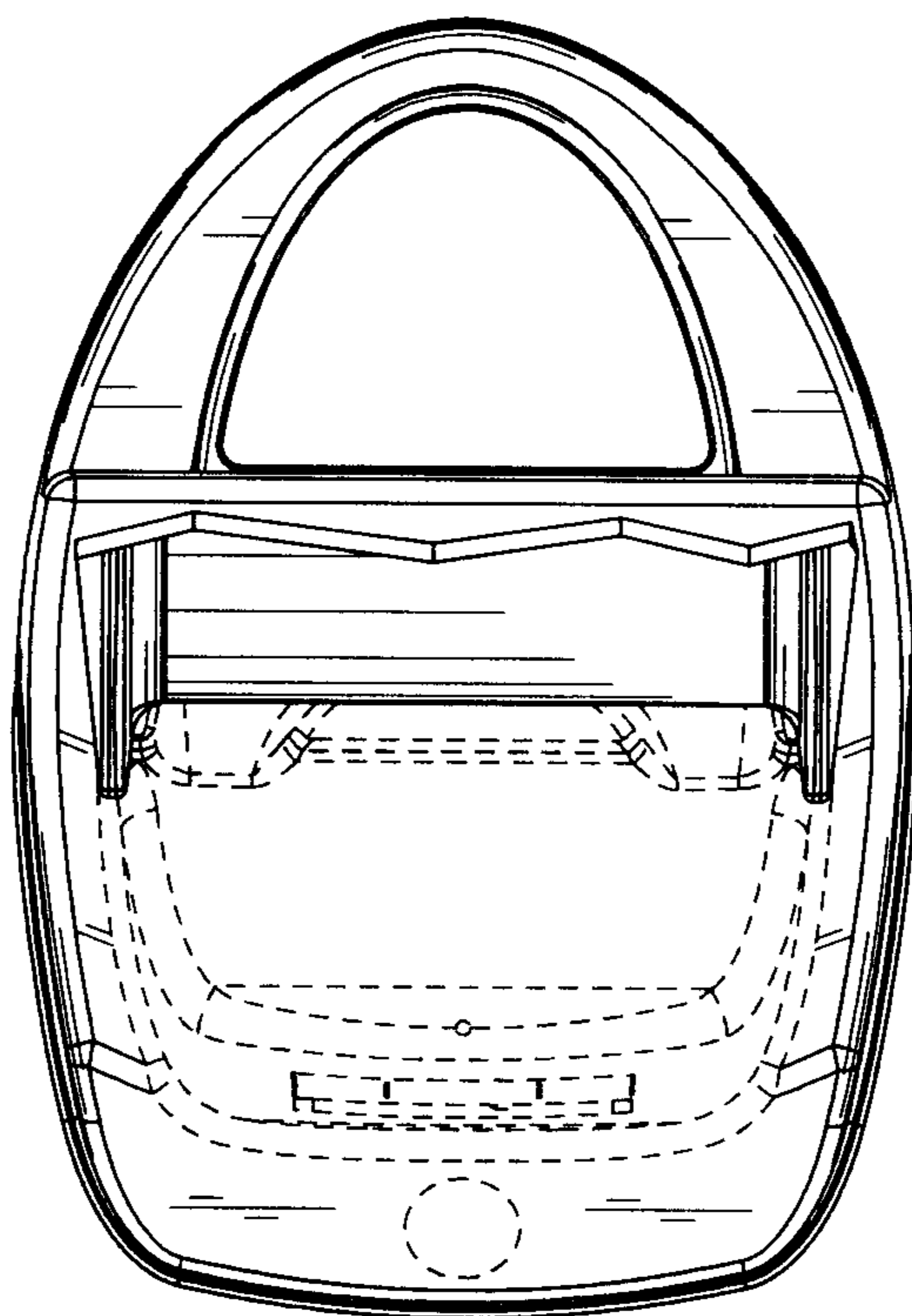
*FIG. 4*



*FIG. 5*



*FIG. 6*



*FIG. 7*