



US00D529438S

(12) **United States Design Patent**
Viduya et al.

(10) **Patent No.:** **US D529,438 S**

(45) **Date of Patent:** **** Oct. 3, 2006**

- (54) **RECHARGEABLE BATTERY**
 - (75) Inventors: **Andres Viduya**, Cranberry Township, PA (US); **Greg Holland**, Trafford, VA (US); **Oliver Grabes**, Seattle, WA (US); **Dominic Tooze**, London (GB)
 - (73) Assignee: **Vocollect, Inc.**, Pittsburgh, PA (US)
 - (**) Term: **14 Years**
 - (21) Appl. No.: **29/238,666**
 - (22) Filed: **Sep. 19, 2005**
 - (51) **LOC (8) Cl.** **13-02**
 - (52) **U.S. Cl.** **D13/103**
 - (58) **Field of Classification Search** D13/102–106, D13/110, 118–119, 184; 429/96–100, 163, 429/176
- See application file for complete search history.

D416,857 S	*	11/1999	Gauld et al.	D13/103
D424,035 S		5/2000	Steiner et al.	
D430,158 S		8/2000	Bhatia et al.	
D430,159 S		8/2000	Bhatia et al.	
D431,562 S		10/2000	Bhatia et al.	
D432,493 S	*	10/2000	Killebrew et al.	D13/103
D434,762 S		12/2000	Ikenaga	
6,157,533 A		12/2000	Sallam et al.	
6,167,413 A		12/2000	Daley, III	
D436,104 S		1/2001	Bhatia et al.	
D440,966 S		4/2001	Ronzani	
6,229,694 B1		5/2001	Kono	
6,304,430 B1		10/2001	Laine et al.	
6,304,459 B1		10/2001	Toyosato et al.	
6,324,053 B1		11/2001	Kamijo	
6,359,777 B1		3/2002	Newman et al.	
D500,746 S	*	1/2005	Gavel et al.	D13/184
D500,747 S	*	1/2005	Gavel et al.	D13/184
2001/0004310 A1		6/2001	Kono	
2001/0036058 A1		11/2001	Jenks et al.	
2001/0046305 A1		11/2001	Muranami et al.	
2001/0048586 A1		12/2001	Itou et al.	

- (56) **References Cited**
- U.S. PATENT DOCUMENTS
- 4,303,296 A * 12/1981 Spaulding 439/189
 - D264,583 S * 5/1982 Kessler D13/184
 - D271,970 S * 12/1983 Velsher et al. D14/140.5
 - 4,845,650 A 7/1989 Meade et al.
 - D331,385 S * 12/1992 Oka D13/110
 - 5,267,181 A 11/1993 George
 - D344,494 S 2/1994 Cardenas
 - D349,483 S * 8/1994 Weaver et al. D13/103
 - D365,801 S * 1/1996 Lindahl D13/103
 - 5,491,651 A 2/1996 Janik
 - D368,429 S * 4/1996 Serio, Jr. D9/431
 - 5,555,490 A 9/1996 Carroll
 - 5,572,401 A 11/1996 Carroll
 - 5,581,492 A 12/1996 Janik
 - D385,855 S 11/1997 Ronzani
 - D391,234 S 2/1998 Chacon et al.
 - 5,719,743 A 2/1998 Jenkins et al.
 - 5,719,744 A 2/1998 Jenkins et al.
 - D398,899 S * 9/1998 Chaco D13/103
 - D399,484 S * 10/1998 Higgins et al. D13/103
 - D411,179 S 6/1999 Toyosato
 - D413,582 S 9/1999 Tompkins
 - D414,470 S 9/1999 Chacon et al.

* cited by examiner

Primary Examiner—Alan P. Douglas

Assistant Examiner—Rosemary K. Tarcza

(74) *Attorney, Agent, or Firm*—Wood, Herron & Evans LLP

(57) **CLAIM**

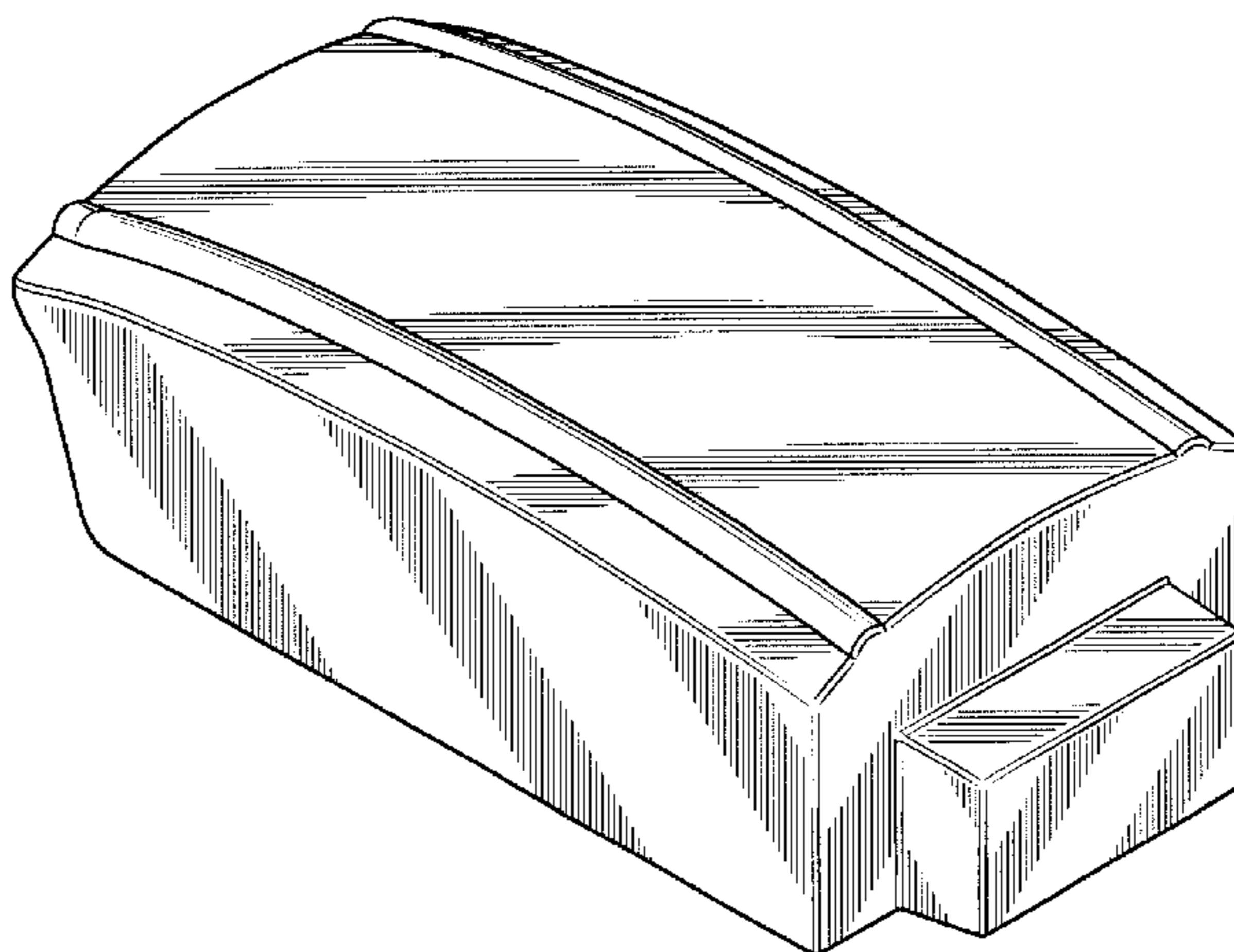
The ornamental design for a rechargeable battery, as shown and described.

DESCRIPTION

FIG. 1 is a front perspective view of the invention;
 FIG. 2 is a front elevational view of FIG. 1;
 FIG. 3 is a rear elevational view of FIG. 1;
 FIG. 4 is right side elevational view of FIG. 1;
 FIG. 5 is a left side elevational view of FIG. 1;
 FIG. 6 is a top view of FIG. 1; and,
 FIG. 7 is a bottom view of FIG. 1.

Any elements shown in dash-dot lines form no part of the claimed invention in this application, and are instead included to show environmental aspects of the claimed invention.

1 Claim, 3 Drawing Sheets



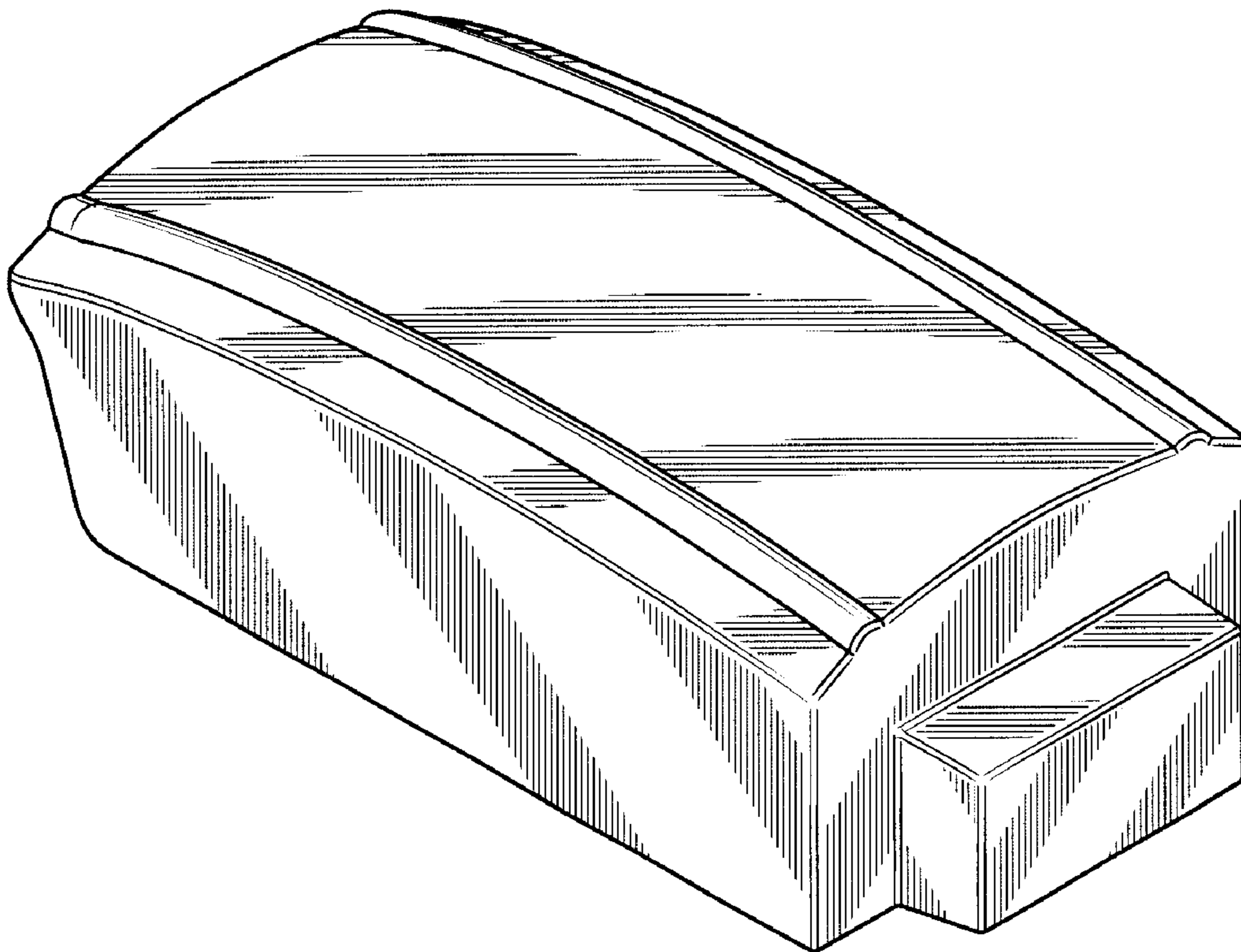


FIG. 1

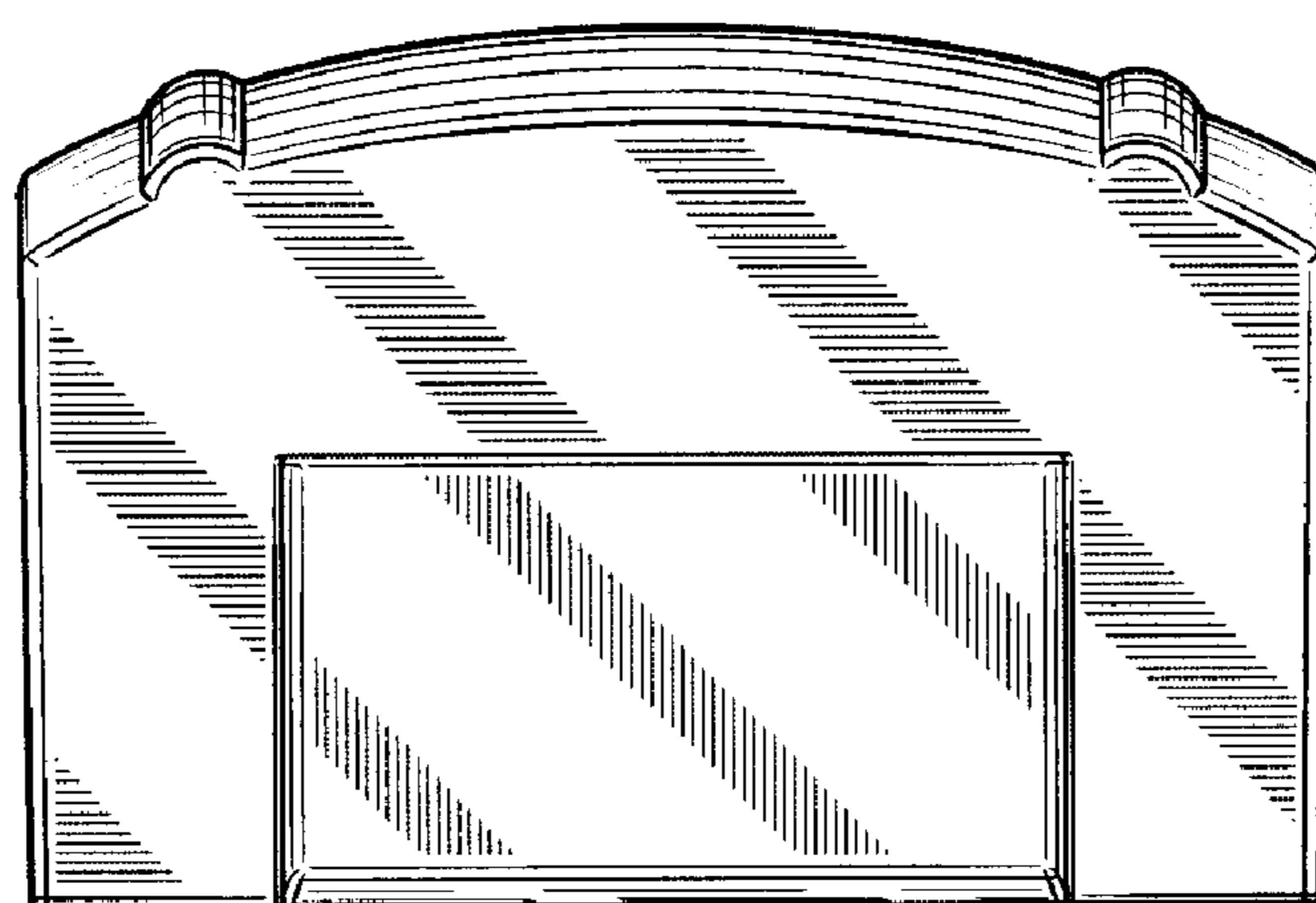


FIG. 2

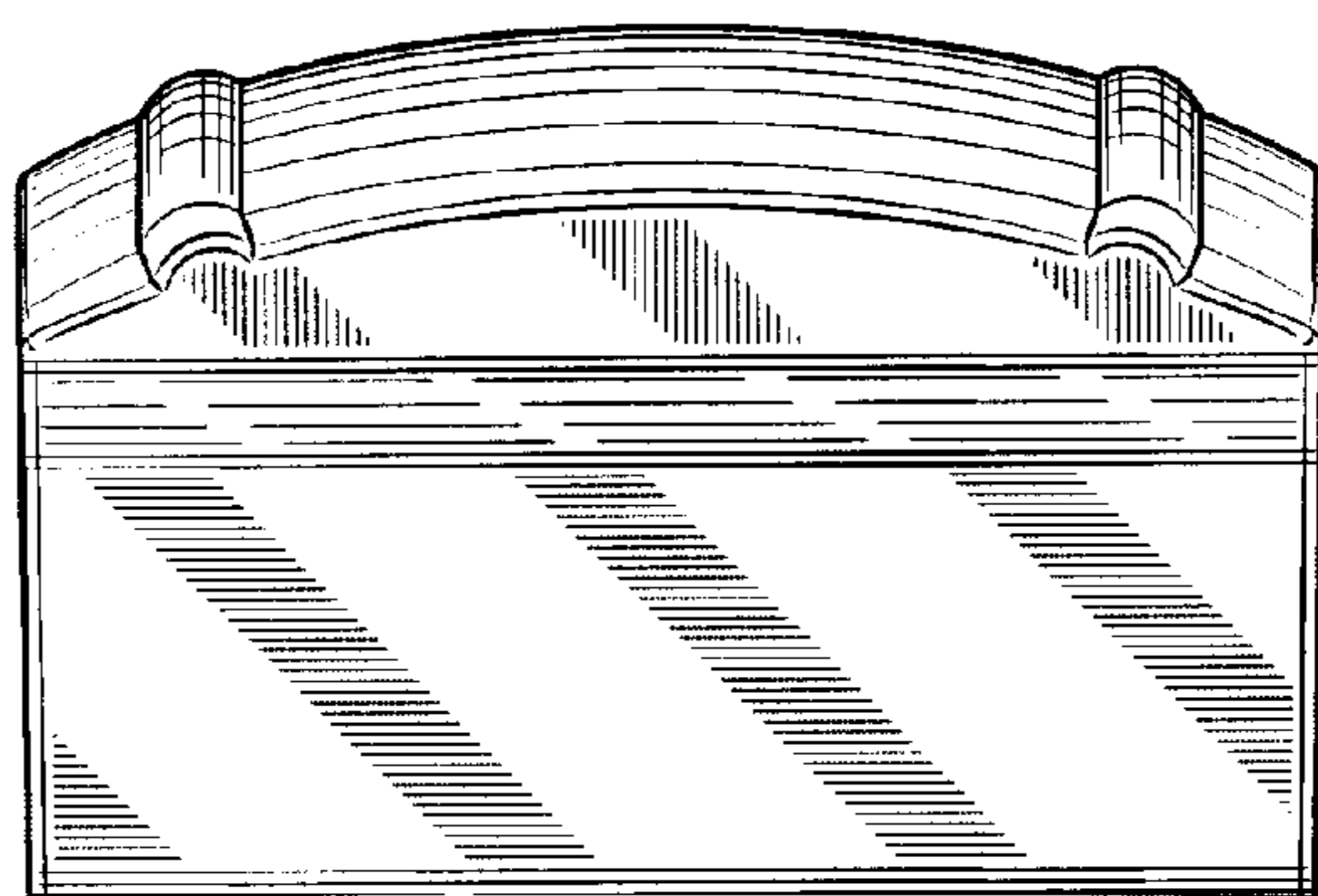


FIG. 3

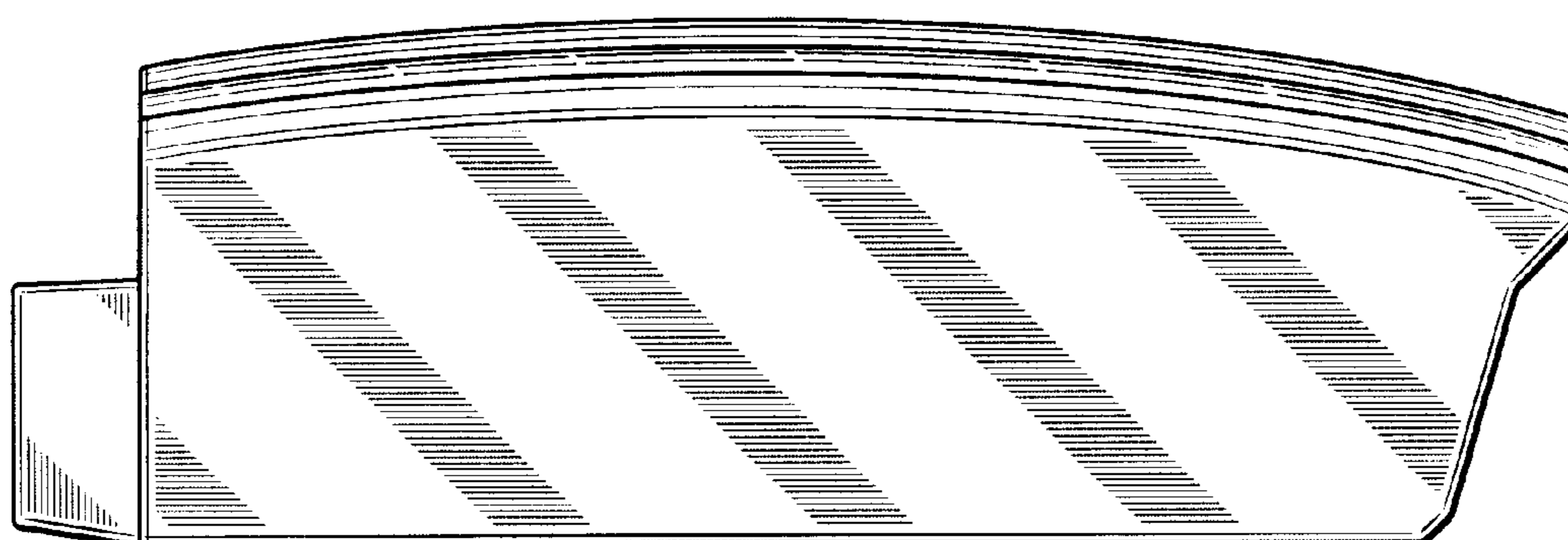


FIG. 4

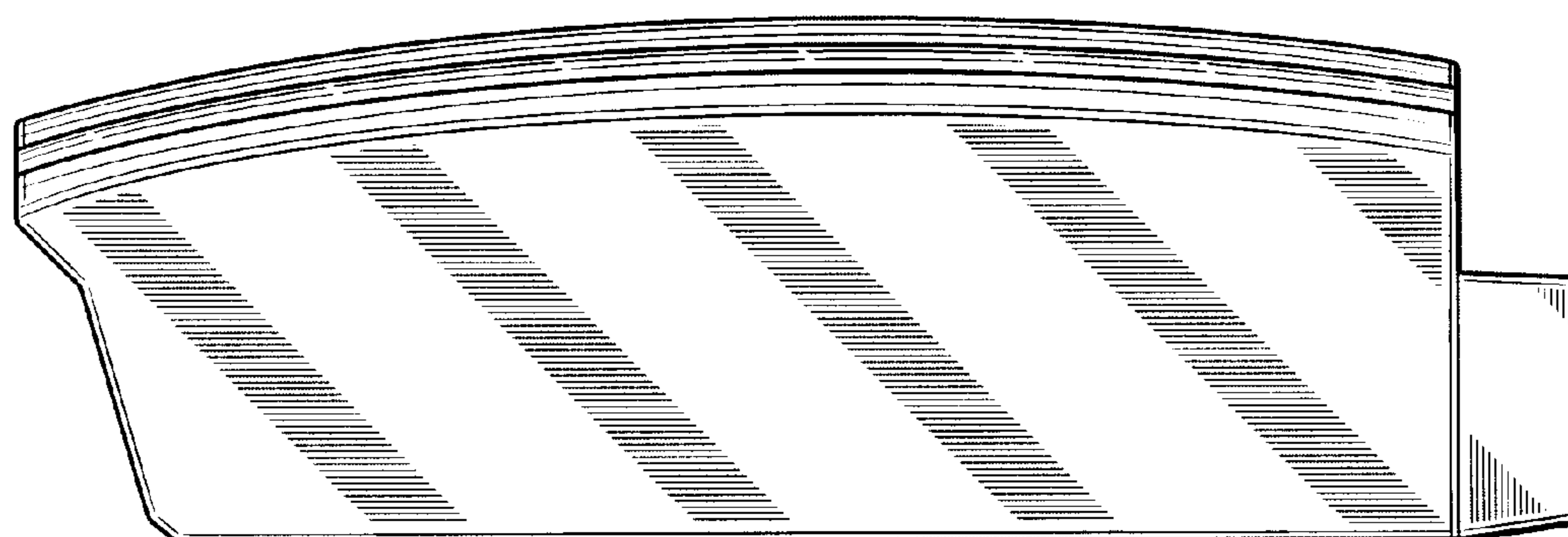


FIG. 5

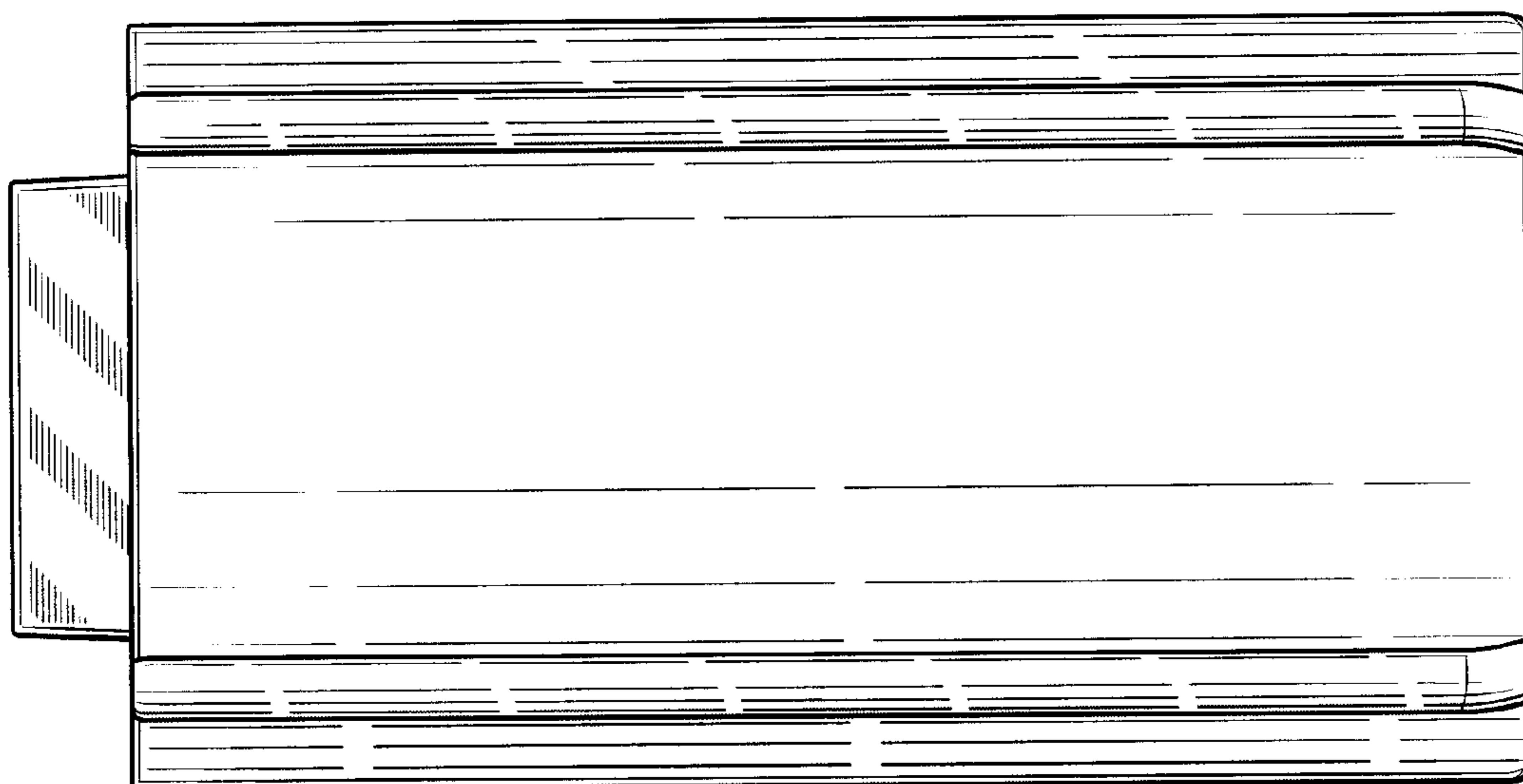


FIG. 6

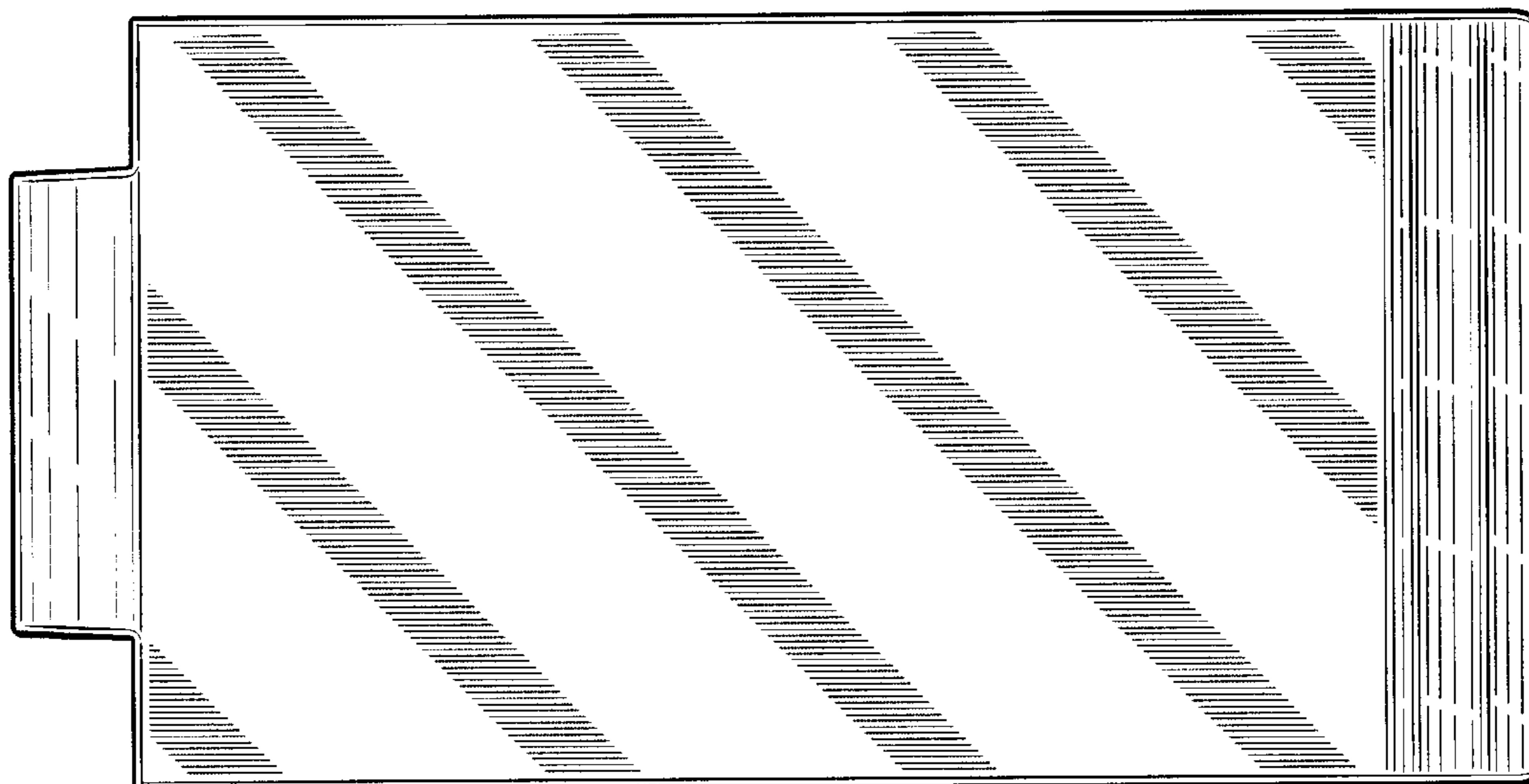


FIG. 7