

US00D529437S

(12) **United States Design Patent**
Miyashita

(10) **Patent No.:** **US D529,437 S**

(45) **Date of Patent:** **** Oct. 3, 2006**

(54) **BATTERY**

D516,502 S * 3/2006 Small D13/103
D516,503 S * 3/2006 Takeshita et al. D13/103

(75) Inventor: **Shin Miyashita**, Tokyo (JP)

OTHER PUBLICATIONS

(73) Assignee: **Sony Corporation**, Tokyo (JP)

Web page "D-L12" <http://www.yodobashi.com/enjoy/more/i/40758.html>, 1 sheet, Yodobashi Camera (Dec. 2004).

(**) Term: **14 Years**

Web page "NP-FR1" http://www.sonystyle.com/is-bin/INTERSHOP,enfinity/eCS/store/---/BB_Display Productl . . ., 1 sheet, Sony (May 2005).

(21) Appl. No.: **29/232,922**

Web page "NP-FT1" http://www.sonystyle.com/is-bin/INTERSHOP,enfinity/eCS/store/---/BB_Display Productl . . ., 1 sheet, Sony (May 2005).

(22) Filed: **Jun. 27, 2005**

(30) **Foreign Application Priority Data**

Dec. 27, 2004 (JP) D2004-040019

* cited by examiner

(51) **LOC (8) Cl.** **13-02**

Primary Examiner—Alan P. Douglas

(52) **U.S. Cl.** **D13/103**

Assistant Examiner—Rosemary K. Tarcza

(58) **Field of Classification Search** D13/102–106,
D13/110, 118–119, 184; 429/96–100, 163,
429/176

(74) *Attorney, Agent, or Firm*—Rader, Fishman & Grauer PLLC

See application file for complete search history.

(57) **CLAIM**

The ornamental design for a battery, as shown.

(56) **References Cited**

DESCRIPTION

U.S. PATENT DOCUMENTS

D239,450 S	*	4/1976	Hennen	D13/119
D250,529 S	*	12/1978	Kaye	D13/103
D250,530 S	*	12/1978	Kaye	D13/103
D277,747 S	*	2/1985	Toth	D13/103
D289,035 S	*	3/1987	Lepoix	D13/184
D333,655 S	*	3/1993	Weber	D13/164
D423,449 S	*	4/2000	Naskali	D13/103
D440,201 S	*	4/2001	Huynh et al.	D13/103
D444,448 S	*	7/2001	Robinson et al.	D13/103
D480,356 S	*	10/2003	Omori et al.	D13/104
D509,182 S	*	9/2005	Takeshita et al.	D13/103

FIG. 1 is an enlarged perspective view of a battery showing my new design;

FIG. 2 is a front elevational view thereof;

FIG. 3 is a rear elevational view thereof;

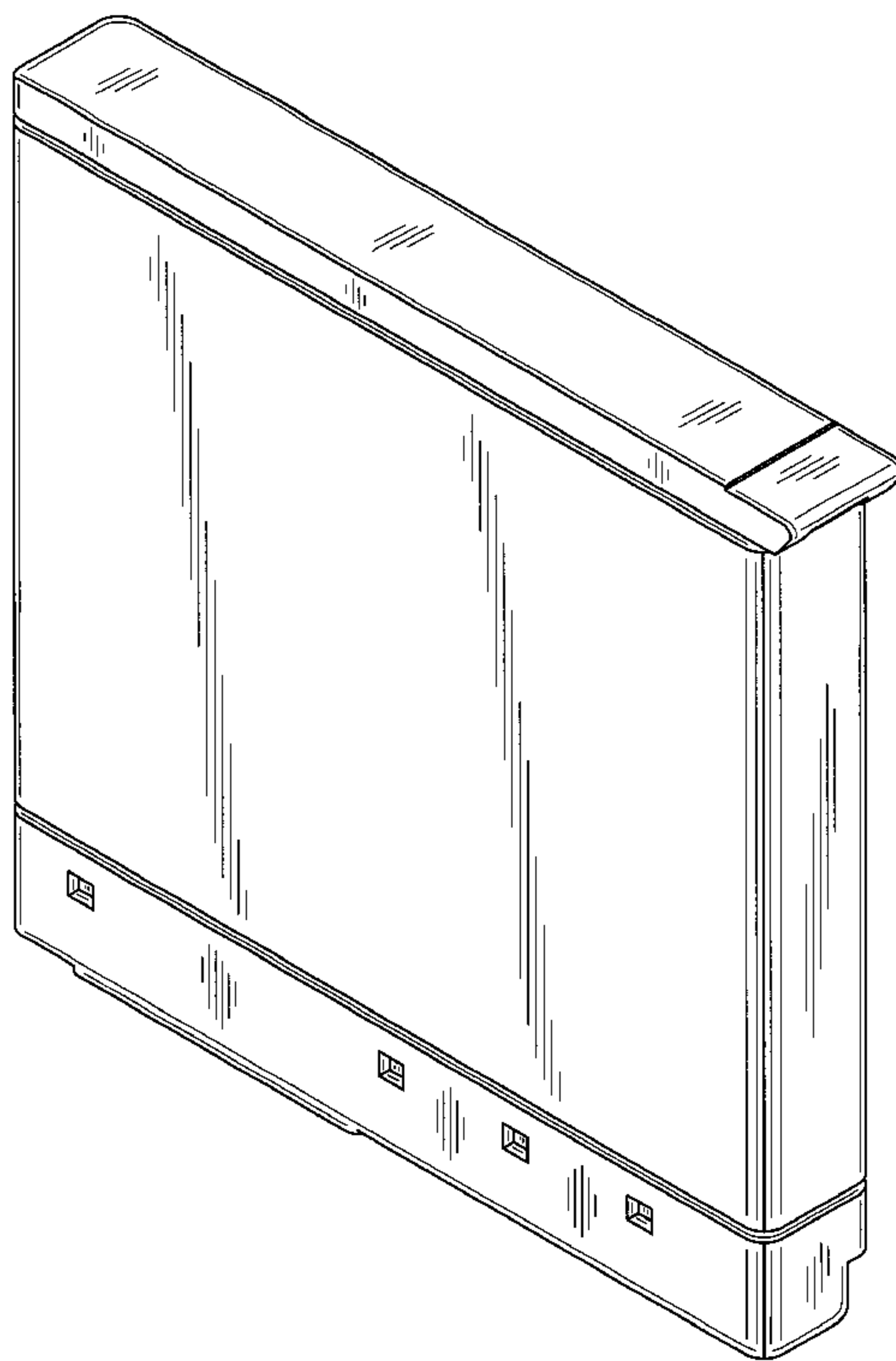
FIG. 4 is a left side elevational view thereof;

FIG. 5 is a right side elevational view thereof;

FIG. 6 is a top plan view thereof; and,

FIG. 7 is a bottom plan view thereof.

1 Claim, 7 Drawing Sheets



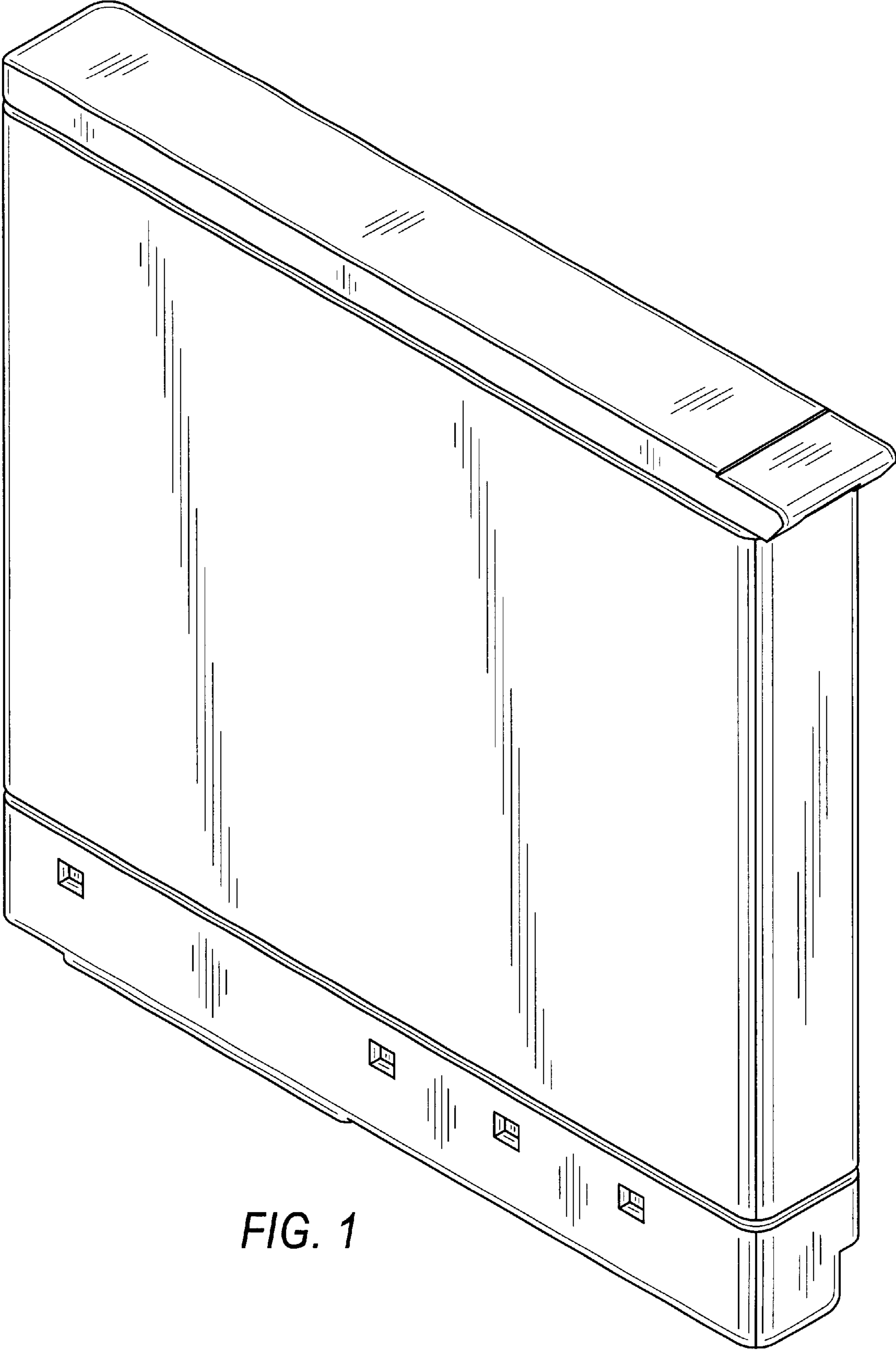


FIG. 1

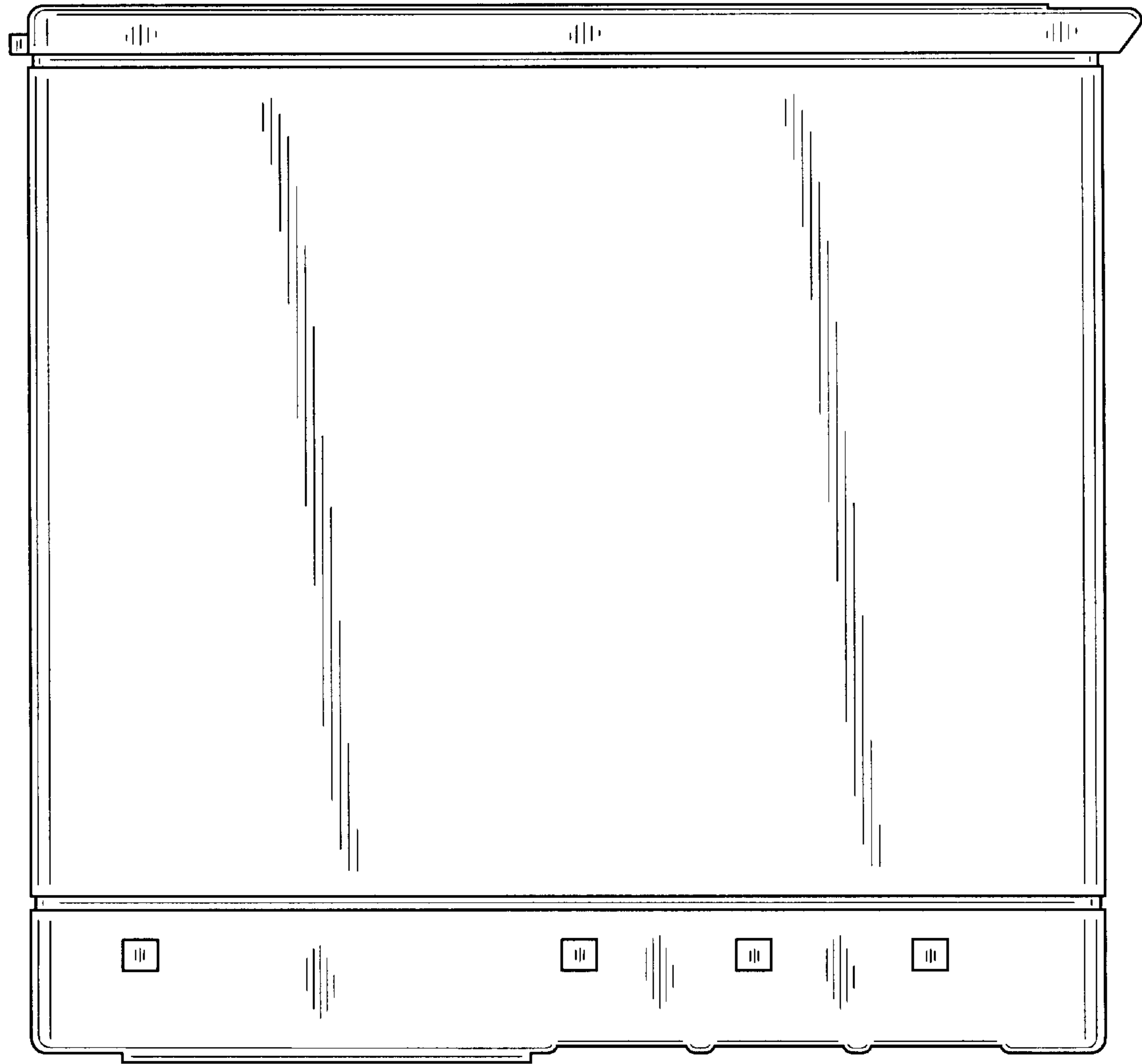


FIG. 2

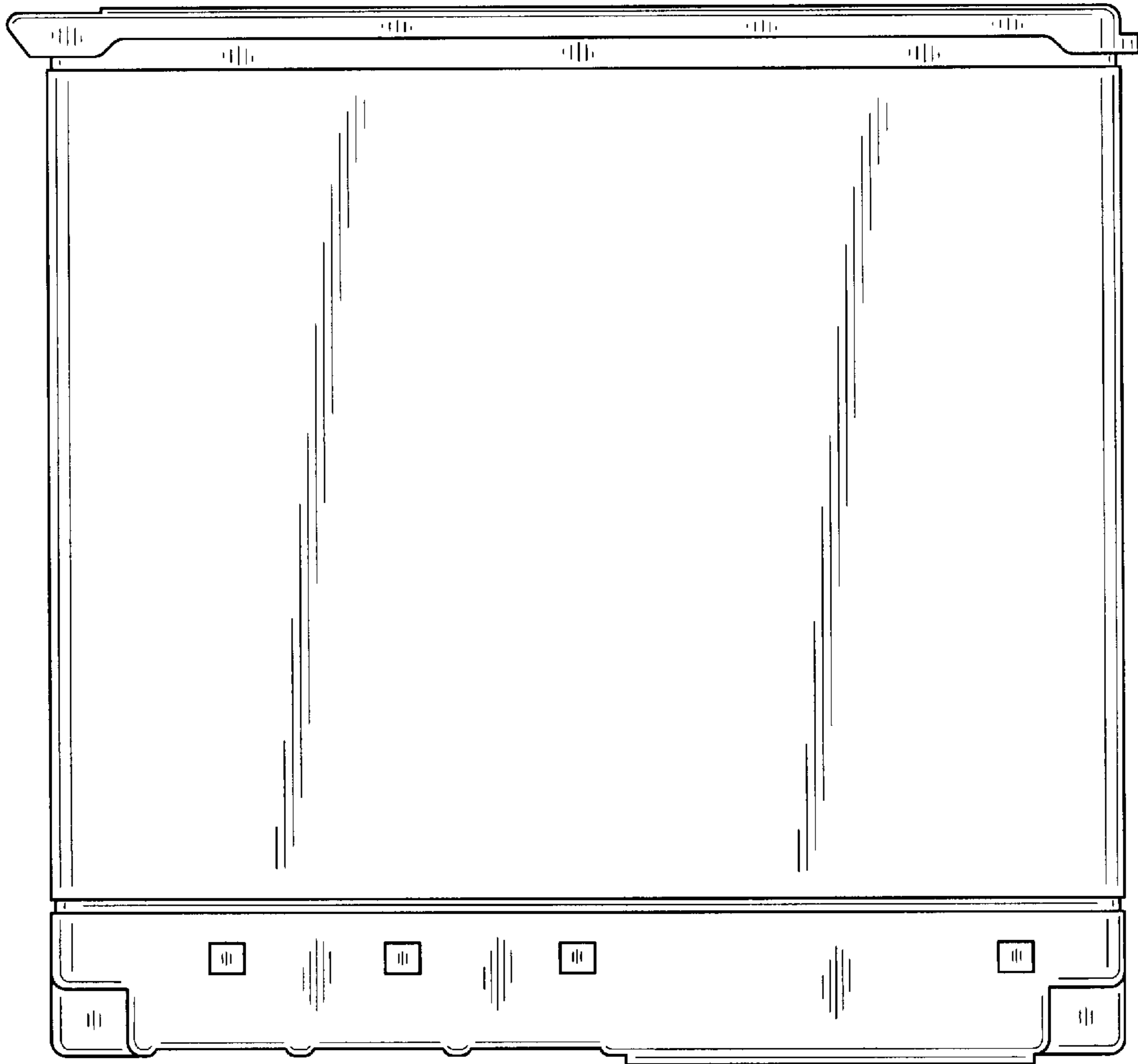


FIG. 3

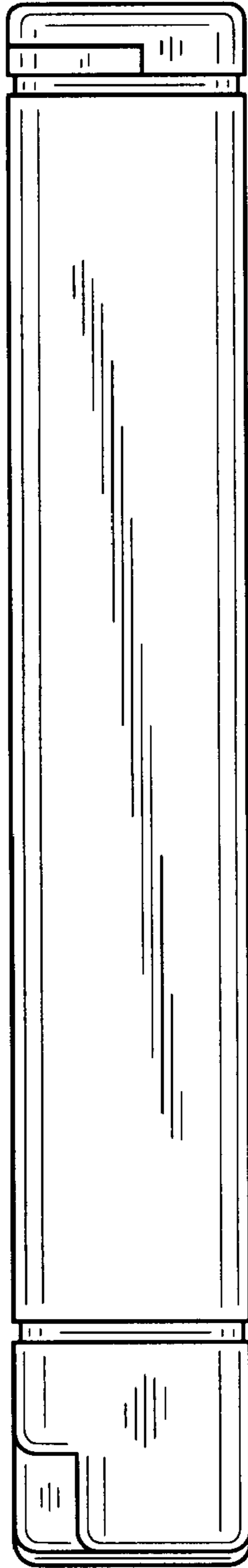


FIG. 4

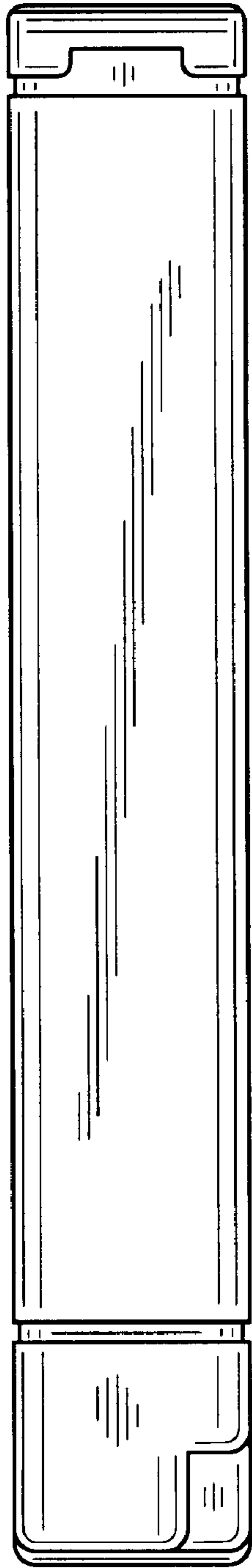


FIG. 5



FIG. 6

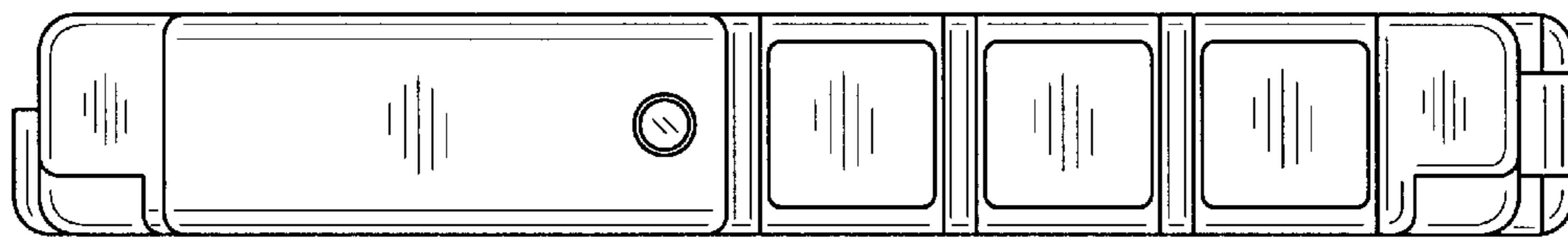


FIG. 7