



US00D529431S

(12) **United States Design Patent**
Gordon

(10) **Patent No.:** **US D529,431 S**

(45) **Date of Patent:** **** Oct. 3, 2006**

(54) **LEATHER BAG LID LINER AND SUPPORT PANEL**

(76) Inventor: **Ray V. Gordon**, 18160 Old Bay Shore Rd., North Fort Myers, FL (US) 33917

(**) Term: **14 Years**

(21) Appl. No.: **29/238,730**

(22) Filed: **Sep. 20, 2005**

(51) **LOC (8) Cl.** **12-06**

(52) **U.S. Cl.** **D12/223**

(58) **Field of Classification Search** D12/114,
D12/223, 407, 409, 410; 224/412-433, 315,
224/435, 439; D8/349, 354, 355, 366; 280/202,
280/288.4; 248/200, 201, 300, 309.1

See application file for complete search history.

(56) **References Cited**

U.S. PATENT DOCUMENTS

- D398,283 S * 9/1998 Miller D12/223
- 6,338,260 B1 * 1/2002 Cousins et al. 224/439 X
- D512,953 S * 12/2005 Wilcox D12/223

* cited by examiner

Primary Examiner—Alan P. Douglas

Assistant Examiner—Linda Brooks

(74) *Attorney, Agent, or Firm*—William E. Noonan

(57) **CLAIM**

The ornamental design for a leather bag lid liner and support panel, as shown and described.

DESCRIPTION

FIG. 1 is a perspective view of the leather bag lid liner and support panel alone;

FIG. 2 is a left-hand side elevational view thereof;

FIG. 3 is a right-hand side elevational view thereof;

FIG. 4 is a front elevational view thereof;

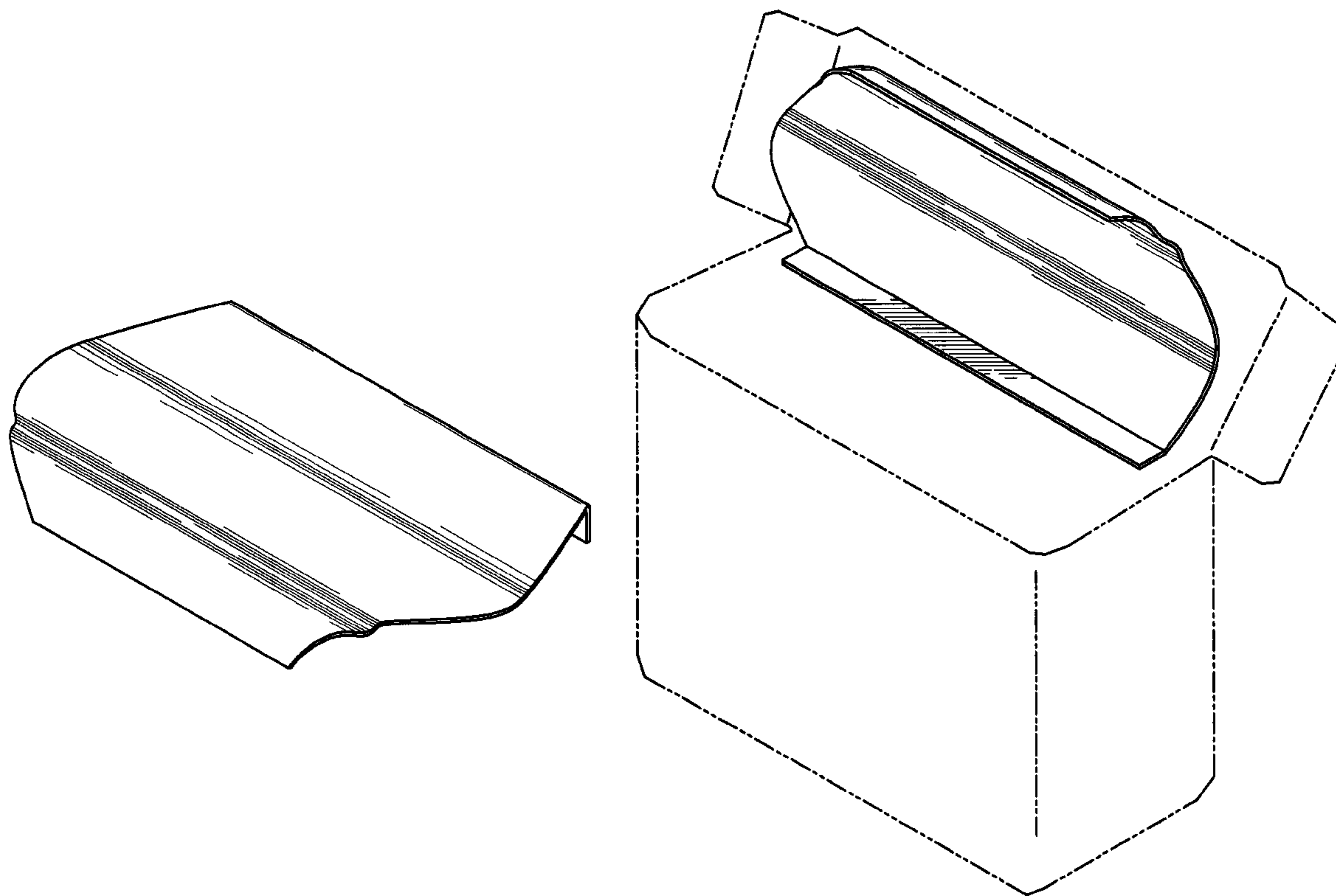
FIG. 5 is a rear elevational view thereof;

FIG. 6 is a top plan view thereof;

FIG. 7 is a bottom plan view thereof; and,

FIG. 8 is a perspective view of the leather bag lid liner and support panel as installed in the open lid of a motorcycle saddlebag, which is shown in broken lines for illustrative purposes only and forms no part of the claimed design.

1 Claim, 3 Drawing Sheets



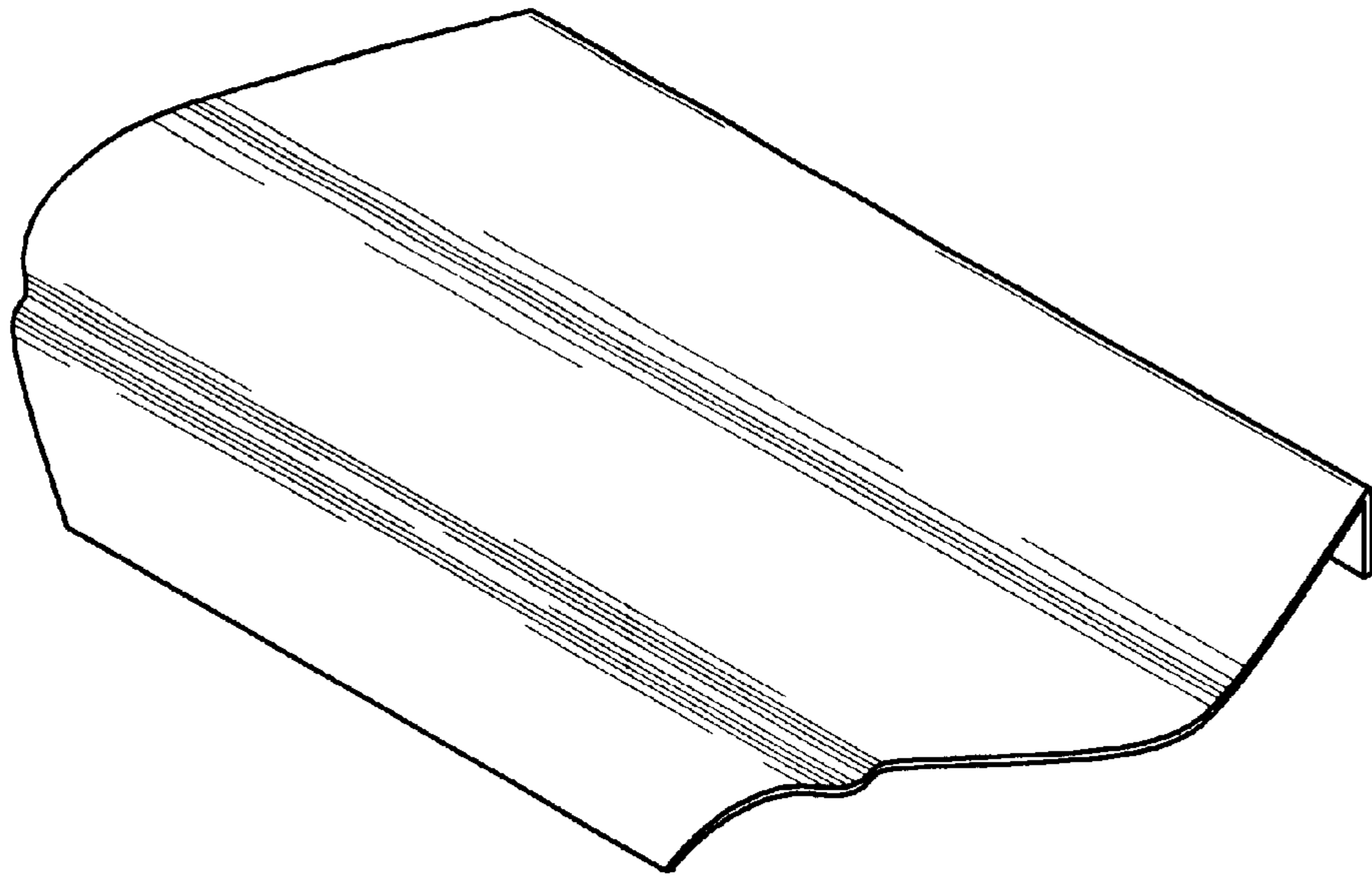


Fig. 1

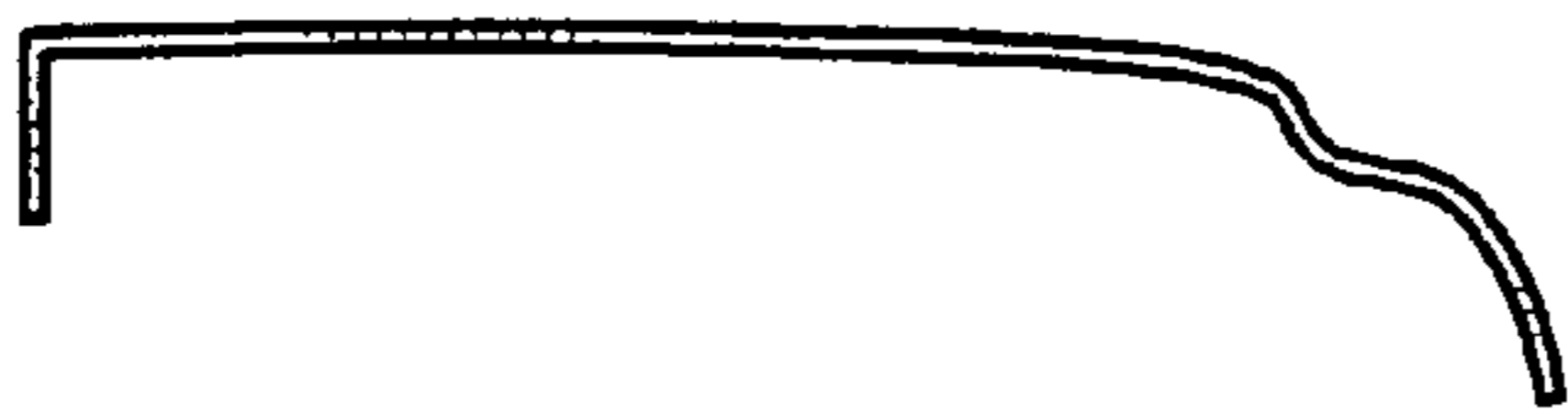


Fig. 2

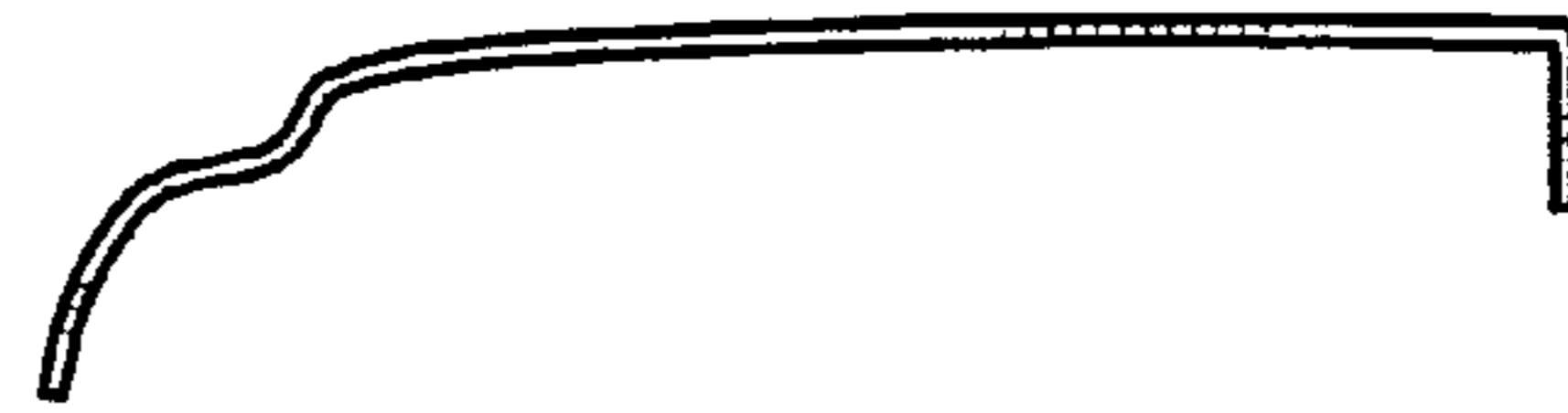


Fig. 3

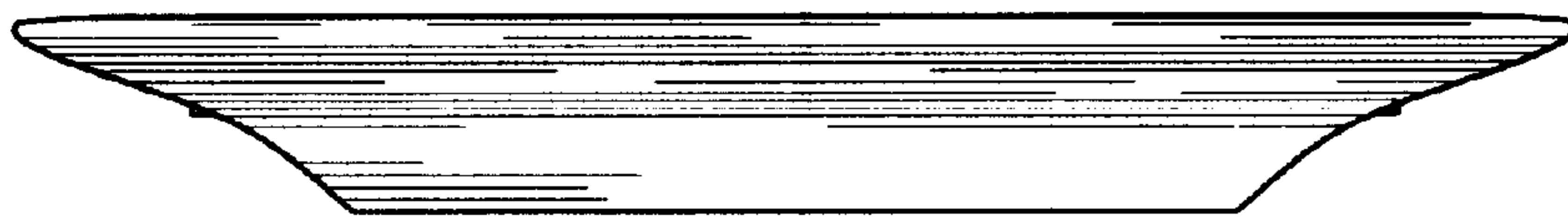


Fig. 4

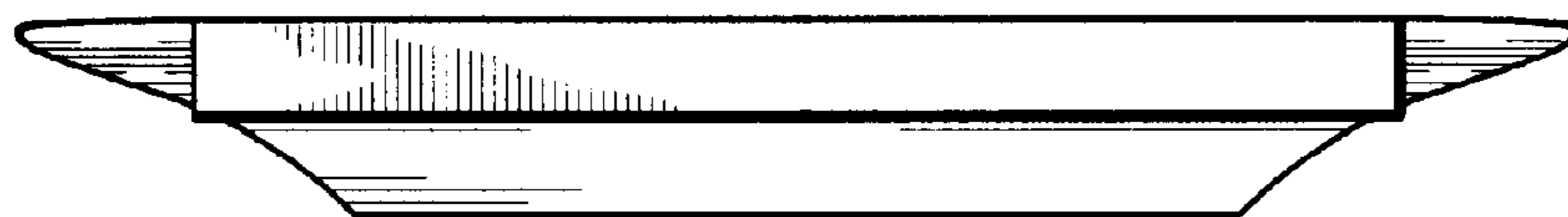


Fig. 5

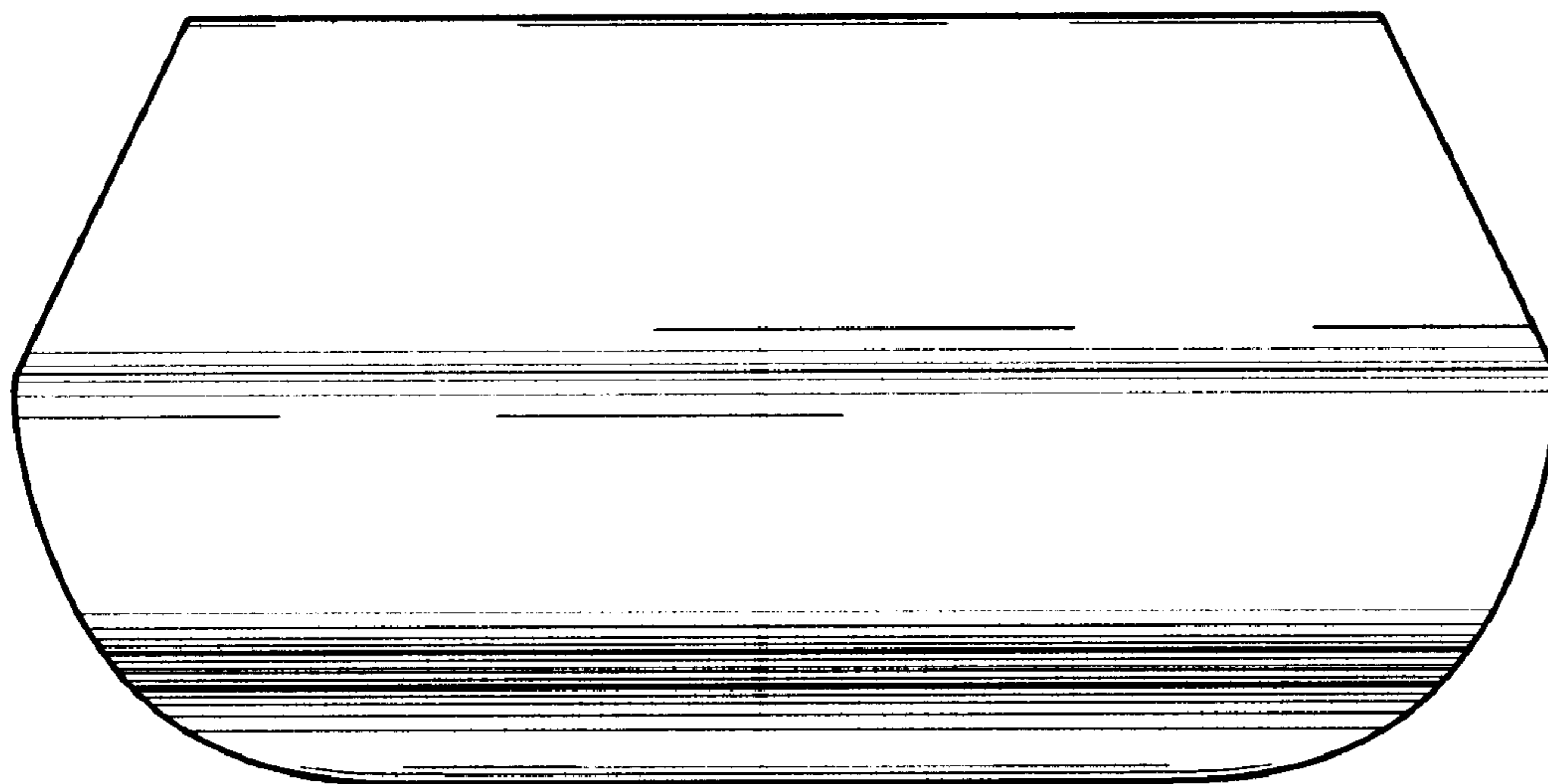


Fig. 6

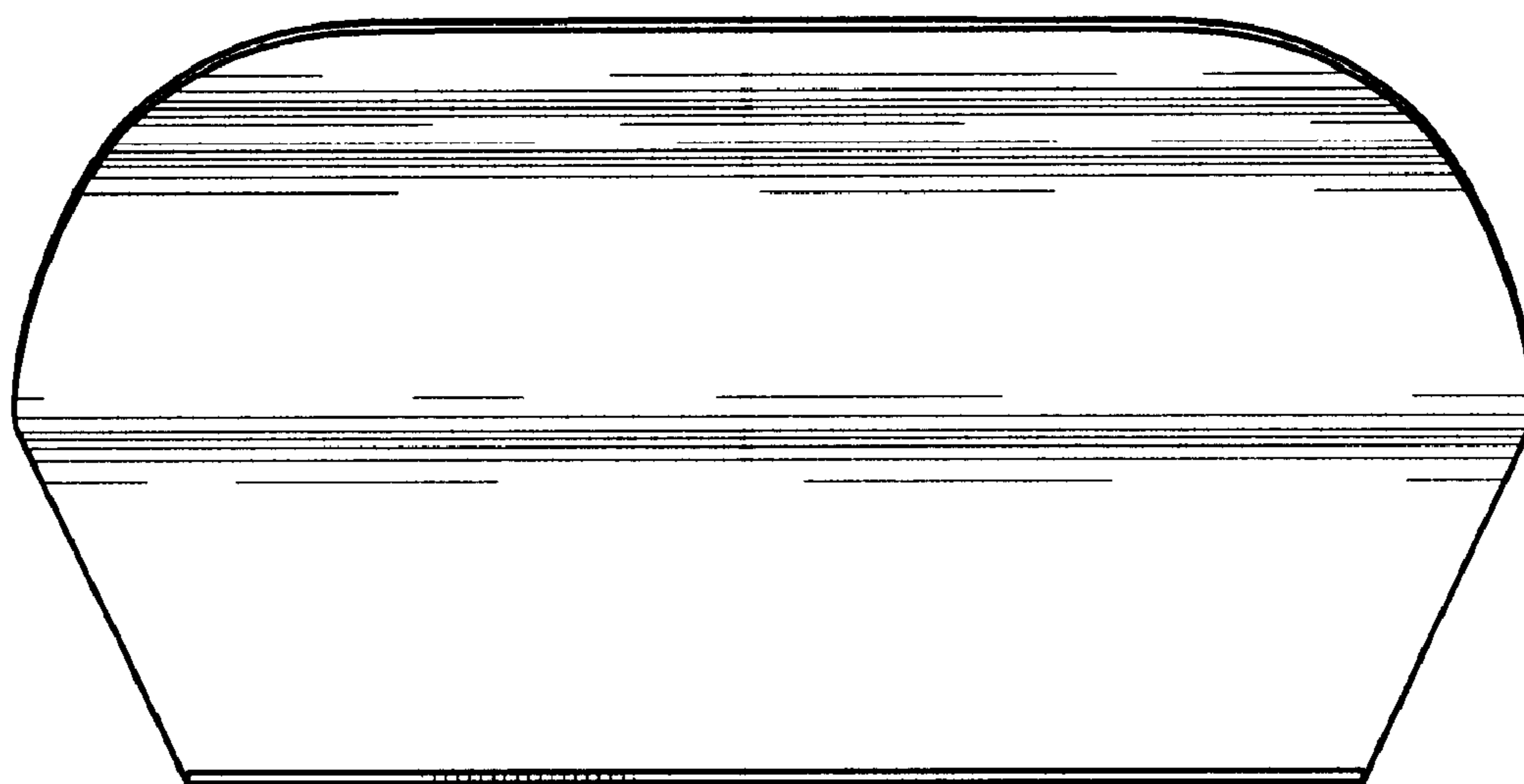


Fig. 7

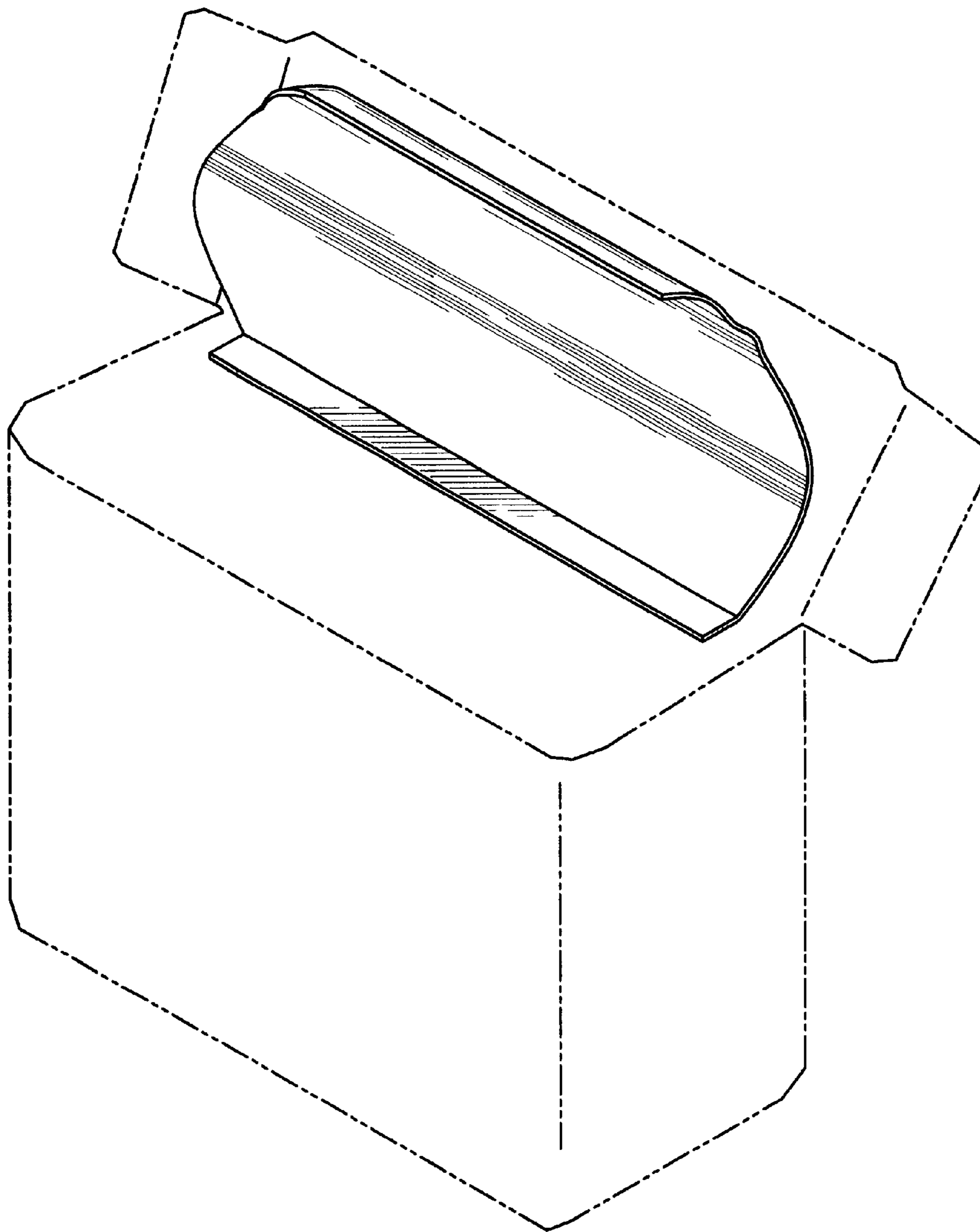


Fig. 8