



US00D529430S

(12) **United States Design Patent**
Hsu

(10) **Patent No.: US D529,430 S**

(45) **Date of Patent: ** Oct. 3, 2006**

(54) **VEHICLE WHEEL**

(75) Inventor: **Ricky Hsu**, Palos Verdes, CA (US)

(73) Assignee: **Honda Motor Co., Ltd.**, Tokyo (JP)

(**) Term: **14 Years**

(21) Appl. No.: **29/251,638**

(22) Filed: **Jan. 10, 2006**

(51) **LOC (8) Cl.** **12-16**

(52) **U.S. Cl.** **D12/209**

(58) **Field of Classification Search** D12/204-213;
301/37.101, 64.101, 65

See application file for complete search history.

(56) **References Cited**

U.S. PATENT DOCUMENTS

- D432,972 S * 10/2000 Chung D12/209
- D495,290 S * 8/2004 Chung D12/211
- D495,649 S * 9/2004 Schell et al. D12/209

- D495,986 S * 9/2004 Walbey, Jr. D12/211
- D499,062 S * 11/2004 Cheng D12/209
- D508,885 S * 8/2005 Marji D12/209
- D518,430 S * 4/2006 Scheu D12/211

* cited by examiner

Primary Examiner—Stacia Cadmus

(74) *Attorney, Agent, or Firm*—Plumsea Law Group, LLC;
Mark E. Duell

(57) **CLAIM**

The ornamental design for a vehicle wheel, as shown and described.

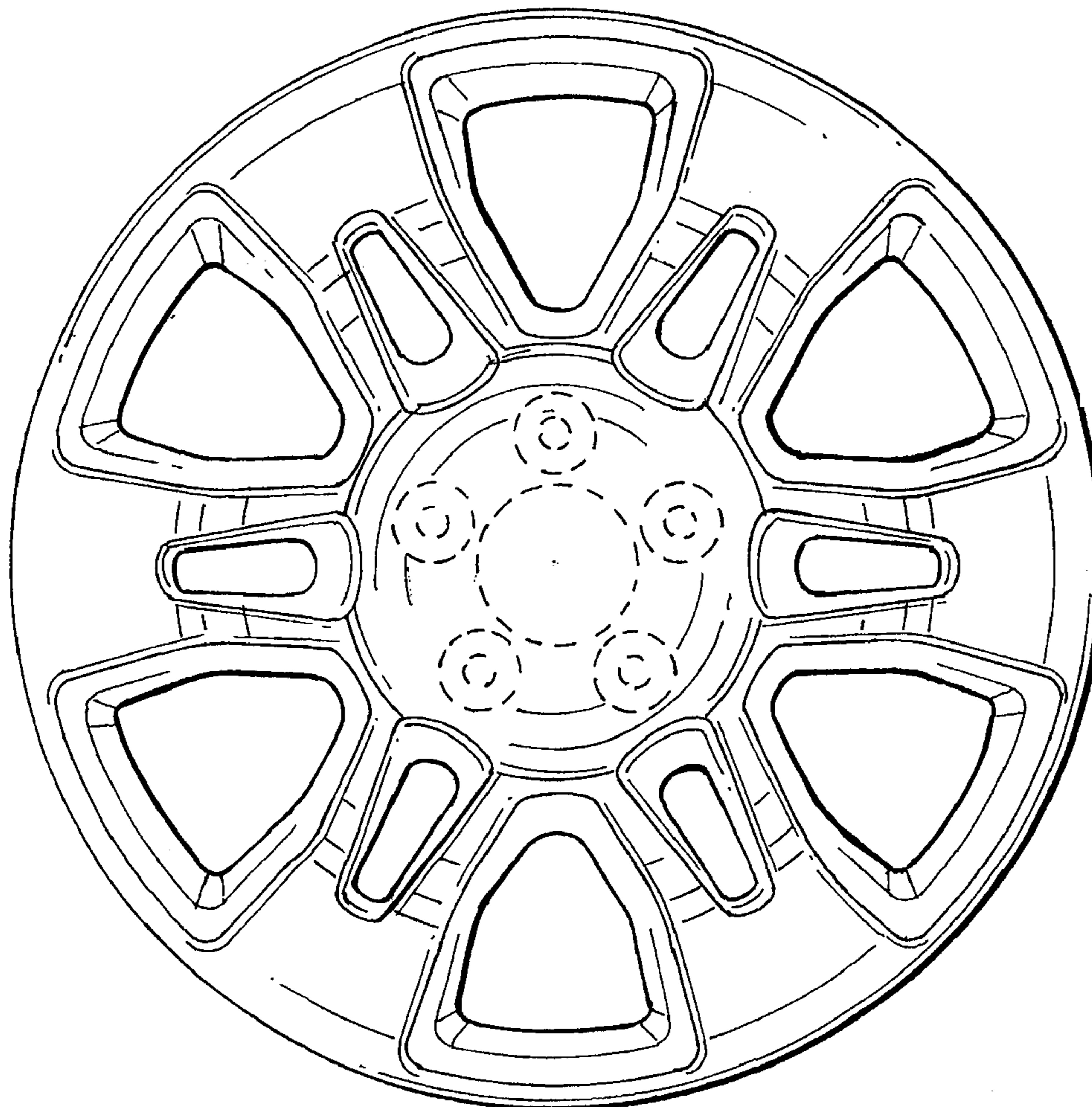
DESCRIPTION

FIG. 1 is a front elevational view of a vehicle wheel showing my new design; and,

FIG. 2 is a perspective view thereof.

The broken line showings of the hub and the lug nuts areas are for illustrative purposes only and form no part of the claimed design.

1 Claim, 1 Drawing Sheet



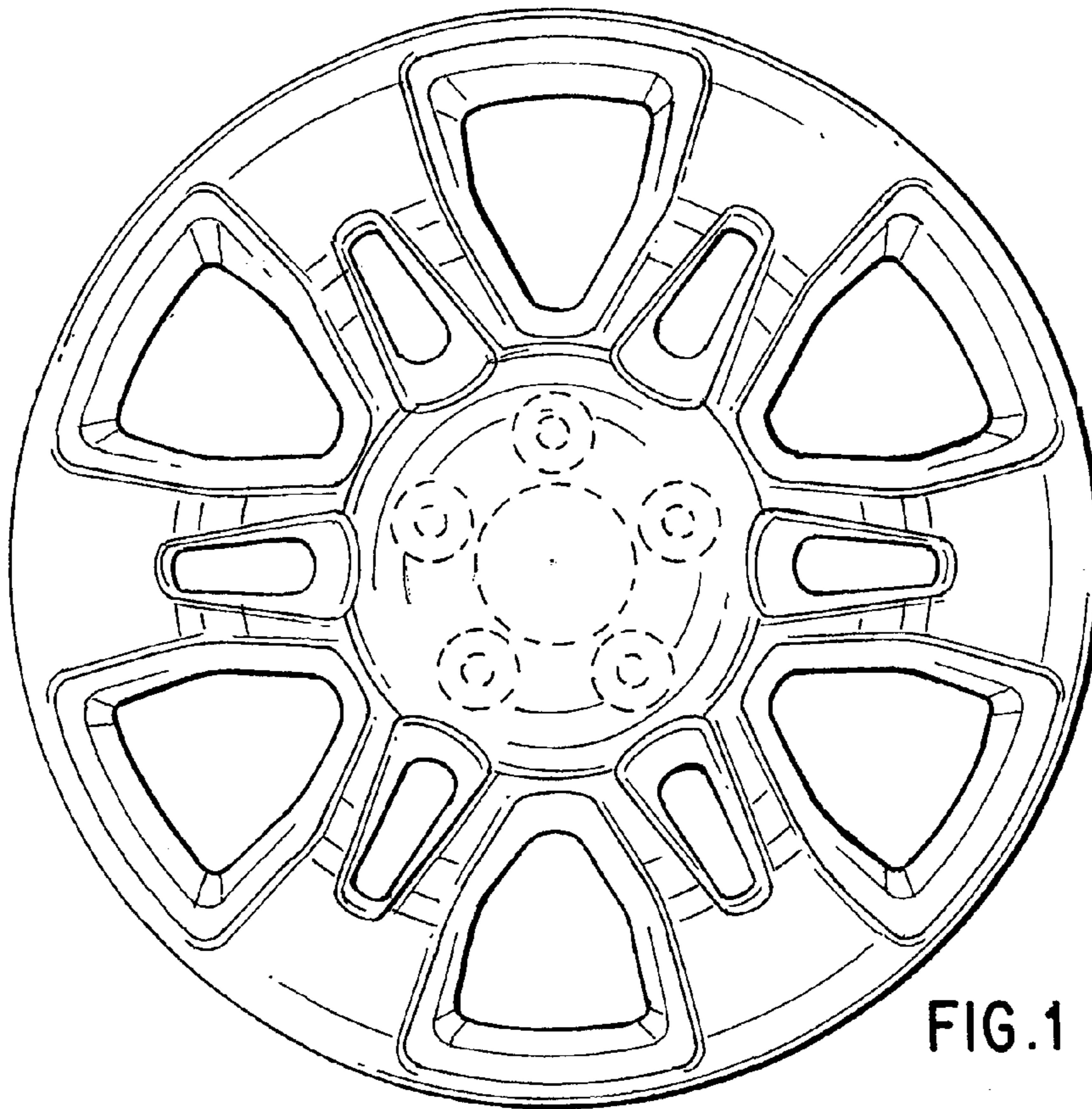


FIG. 1

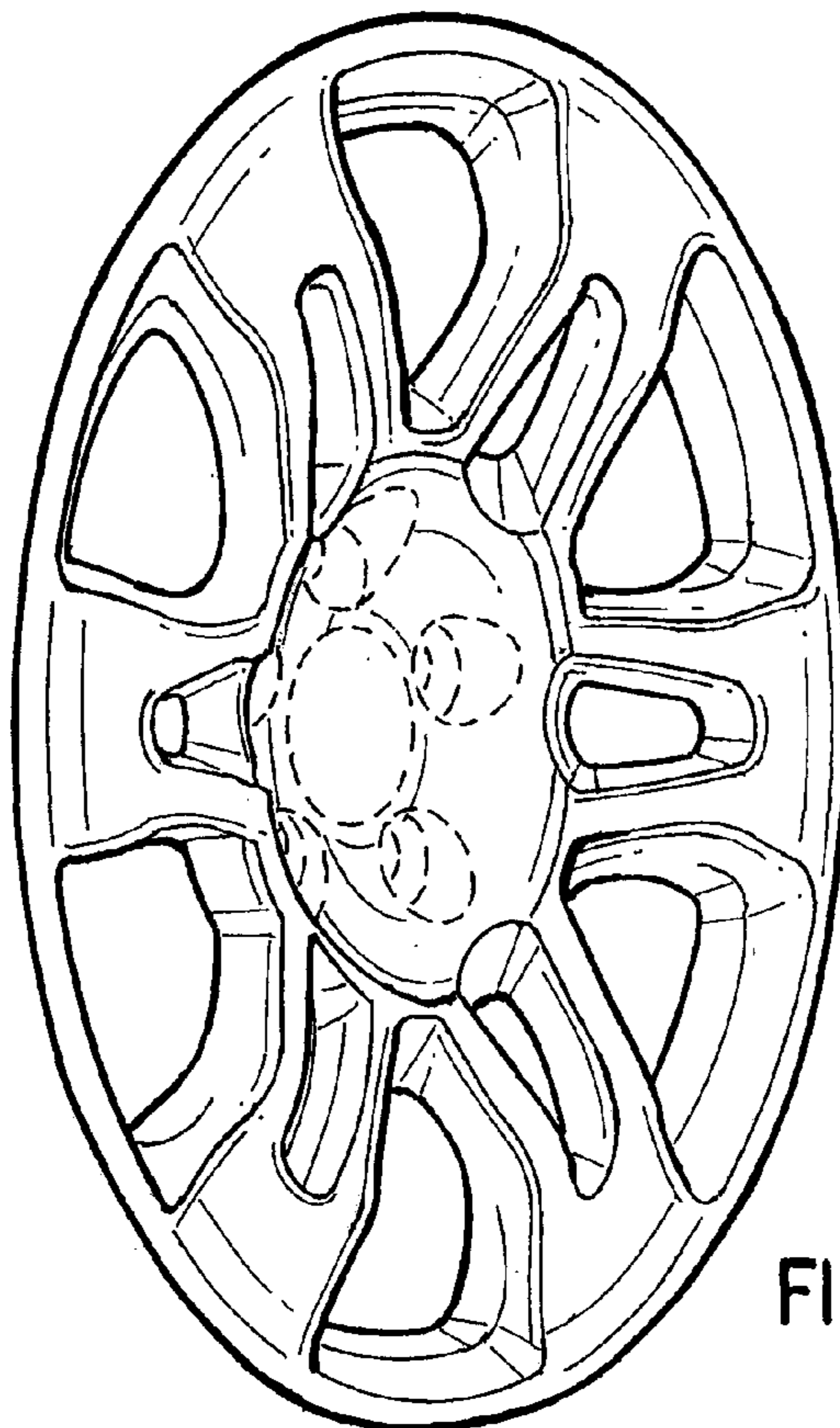


FIG. 2