



US00D529429S

(12) **United States Design Patent**
Hsu

(10) **Patent No.:** **US D529,429 S**

(45) **Date of Patent:** **** Oct. 3, 2006**

(54) **VEHICLE WHEEL**

(75) Inventor: **Ricky Hsu**, Palos Verdes, CA (US)

(73) Assignee: **Honda Motor Co., Ltd.**, Tokyo (JP)

(**) Term: **14 Years**

(21) Appl. No.: **29/251,637**

(22) Filed: **Jan. 10, 2006**

(51) **LOC (8) Cl.** **12-16**

(52) **U.S. Cl.** **D12/209**

(58) **Field of Classification Search** D12/204-213;
301/37.101, 64.101, 65

See application file for complete search history.

(56) **References Cited**

U.S. PATENT DOCUMENTS

D402,252 S	*	12/1998	Kulla	D12/211
D412,693 S	*	8/1999	Kulla	D12/211
D461,754 S	*	8/2002	Hoshino	D12/209
D481,347 S	*	10/2003	Kang	D12/211
D497,132 S	*	10/2004	Lee	D12/209

D499,681 S	*	12/2004	Boyer	D12/209
D503,915 S	*	4/2005	Markefka	D12/209
D504,649 S	*	5/2005	Pfeiffer	D12/209
D513,221 S	*	12/2005	Pfeiffer	D12/211
D513,726 S	*	1/2006	Kamimura	D12/211
D519,434 S	*	4/2006	Werner	D12/211

* cited by examiner

Primary Examiner—Stacia Cadmus

(74) *Attorney, Agent, or Firm*—Plumsea Law Group, LLC;
Mark E. Duell

(57) **CLAIM**

The ornamental design for a vehicle wheel, as shown and described.

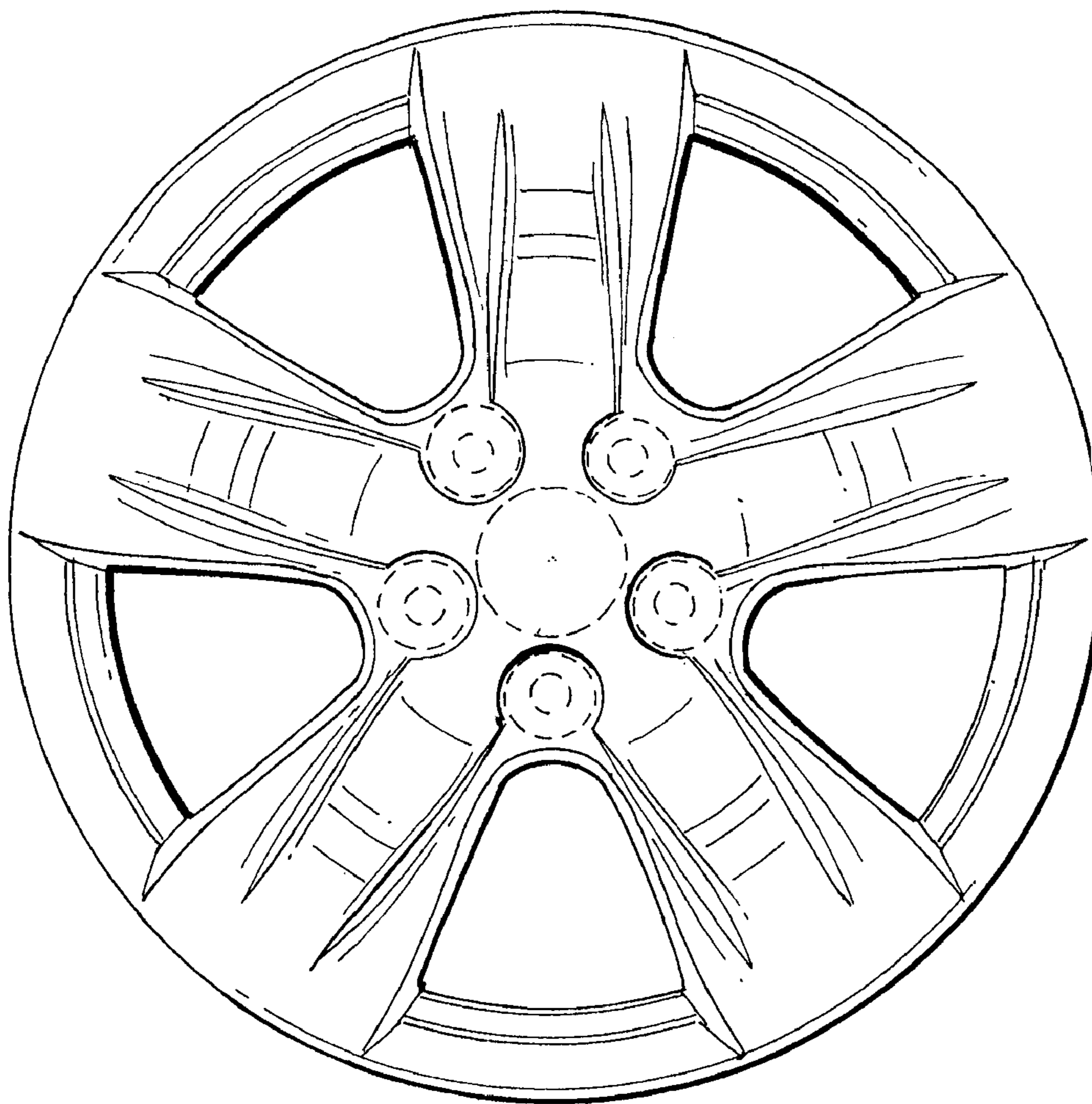
DESCRIPTION

FIG. 1 is a front elevational view of a vehicle wheel showing my new design; and,

FIG. 2 is a perspective view thereof.

The broken line showings of the hub and the lug nuts areas are for illustrative purposes only and form no part of the claimed design.

1 Claim, 1 Drawing Sheet



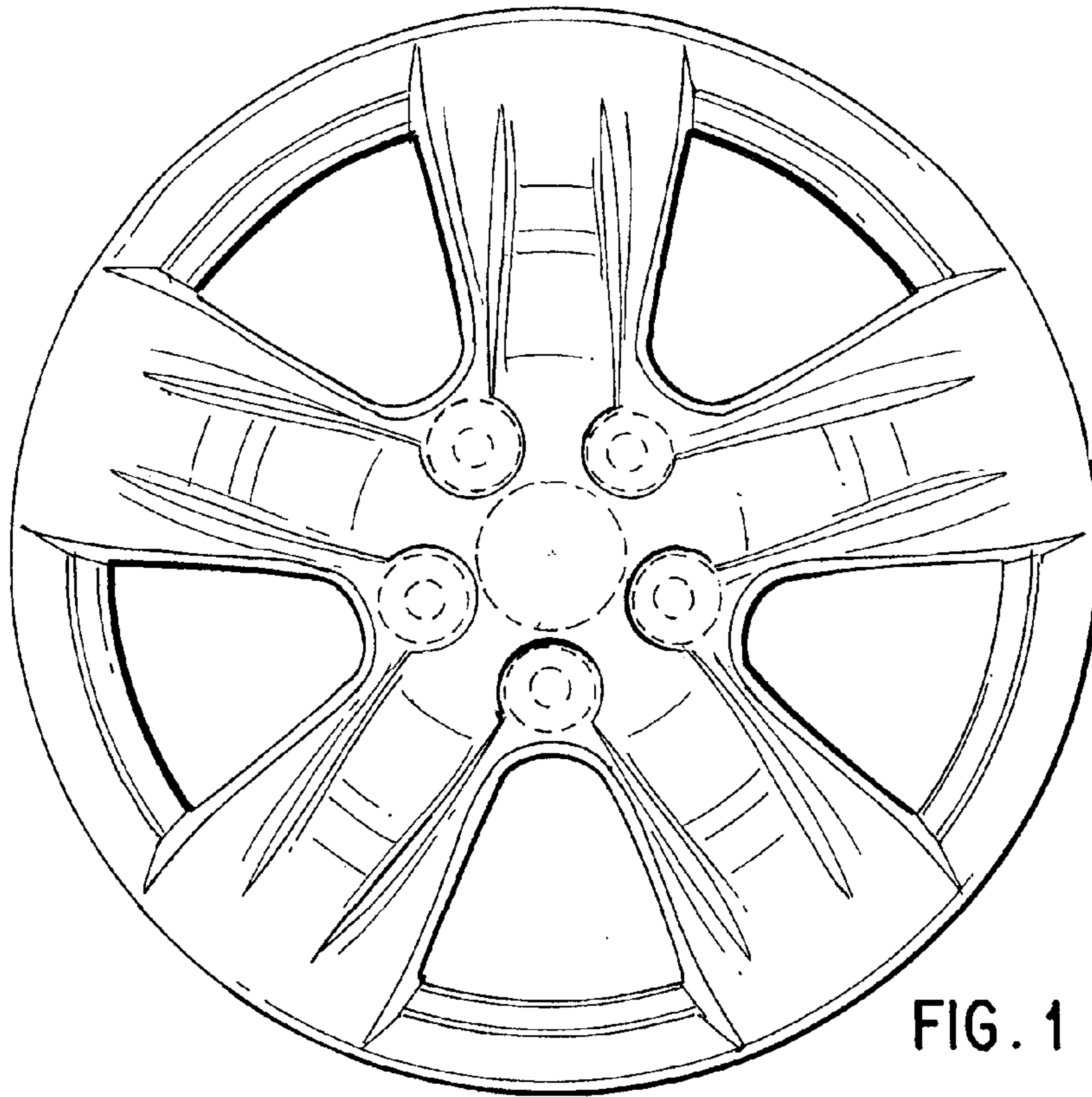


FIG. 1

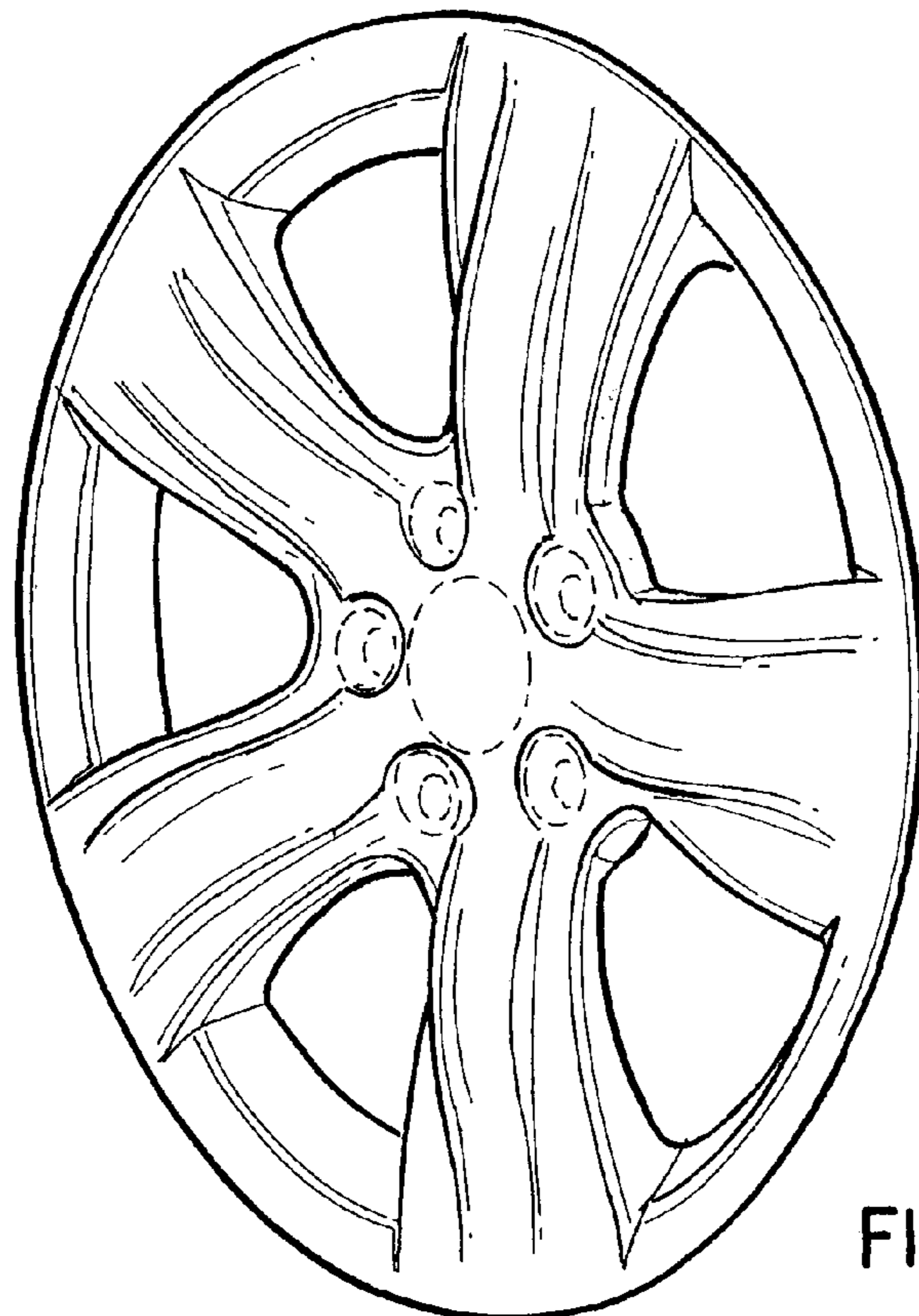


FIG. 2