

US00D529427S

(12) **United States Design Patent**  
**Kim**

(10) **Patent No.:** **US D529,427 S**

(45) **Date of Patent:** **\*\* Oct. 3, 2006**

(54) **FRONT FACE OF A VEHICLE WHEEL**

(75) **Inventor:** **Gi Beom Kim**, Seoul (KR)

(73) **Assignee:** **Lion's Wheel Industrial Corp.**, Irvine, CA (US)

(\*\*) **Term:** **14 Years**

(21) **Appl. No.:** **29/226,001**

(22) **Filed:** **Mar. 22, 2005**

(51) **LOC (8) Cl.** ..... **12-16**

(52) **U.S. Cl.** ..... **D12/209**

(58) **Field of Classification Search** ..... D12/204-213;  
301/37.101, 64.101, 65

See application file for complete search history.

(56) **References Cited**

**U.S. PATENT DOCUMENTS**

- D467,857 S \* 12/2002 Chung ..... D12/209
- D494,523 S \* 8/2004 Koenigsberg ..... D12/209

- D499,682 S \* 12/2004 Kushartanto ..... D12/209
- D505,102 S \* 5/2005 Cahyono ..... D12/209
- D507,222 S \* 7/2005 Arellano et al. .... D12/209
- D511,733 S \* 11/2005 van Hooydonk ..... D12/209

\* cited by examiner

*Primary Examiner*—Stacia Cadmus

(74) *Attorney, Agent, or Firm*—Blakely, Sokoloff, Taylor & Zafman LLP

(57) **CLAIM**

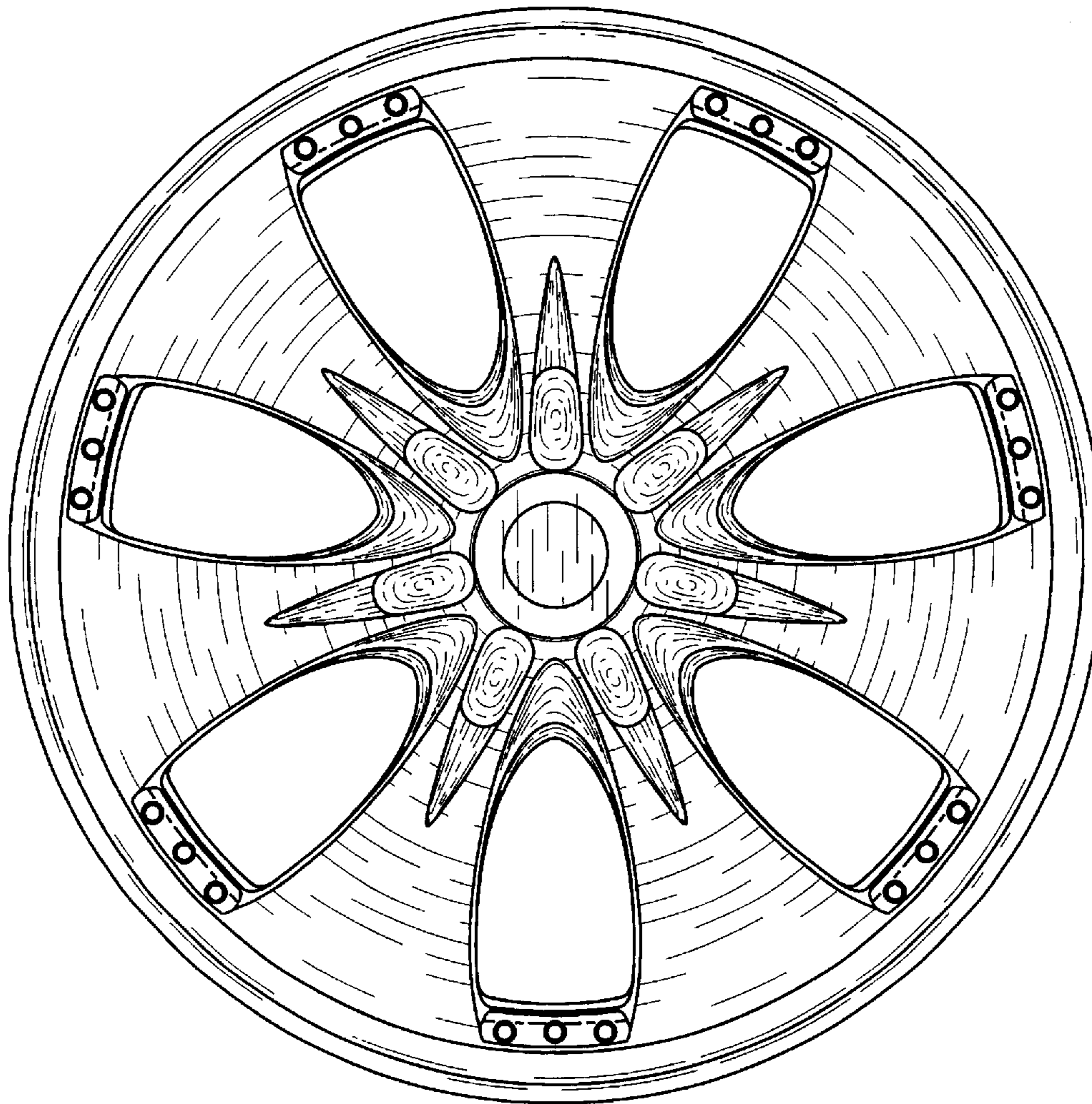
The ornamental design for a front face of a vehicle wheel, as shown and described.

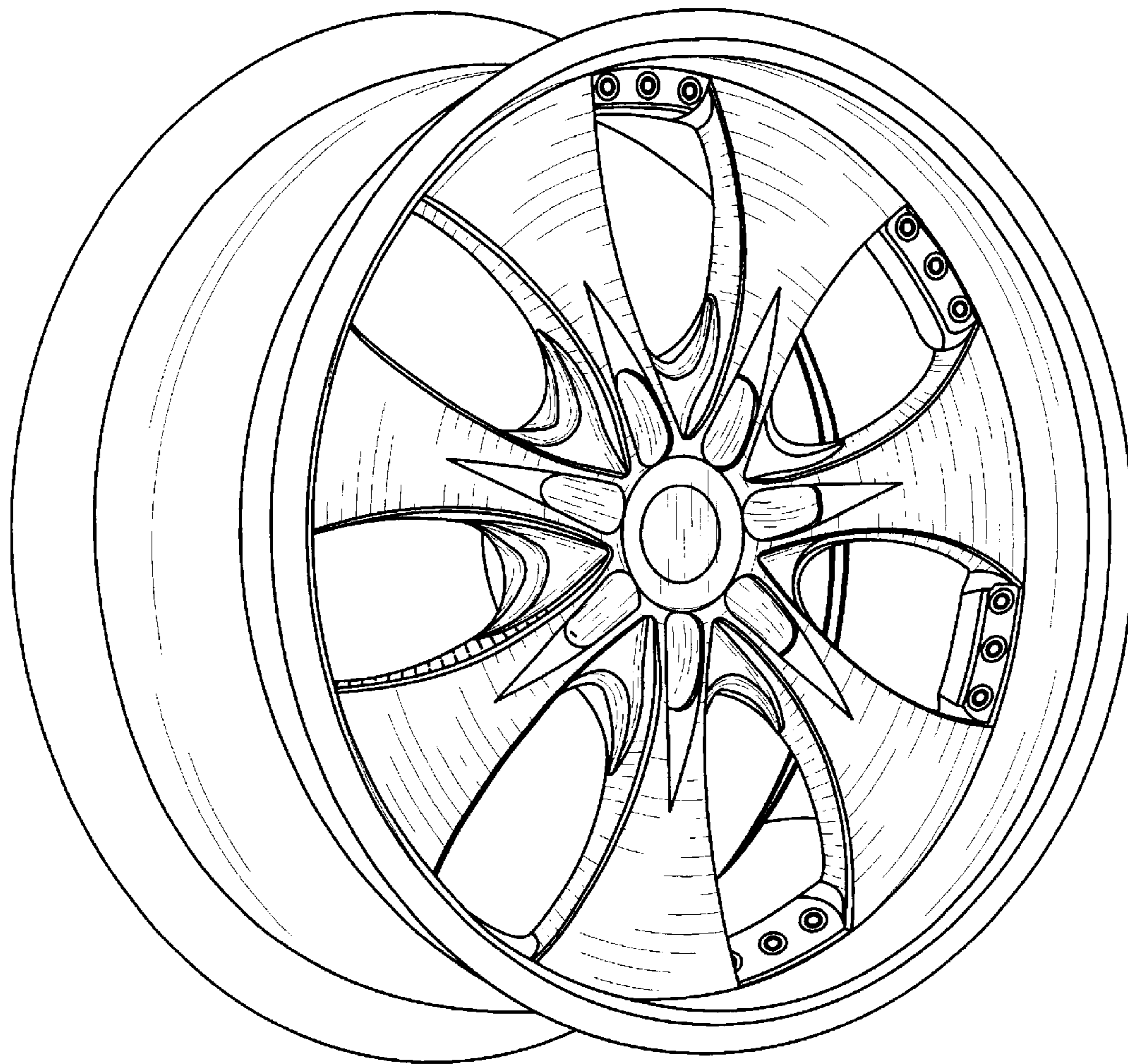
**DESCRIPTION**

FIG. 1 is a perspective view of a front face of a vehicle wheel showing my new design; and, FIG. 2 is a front view thereof.

The broken line showing of environment is for illustrative purposes only and forms no part of the claimed design.

**1 Claim, 2 Drawing Sheets**





**FIG. 1**

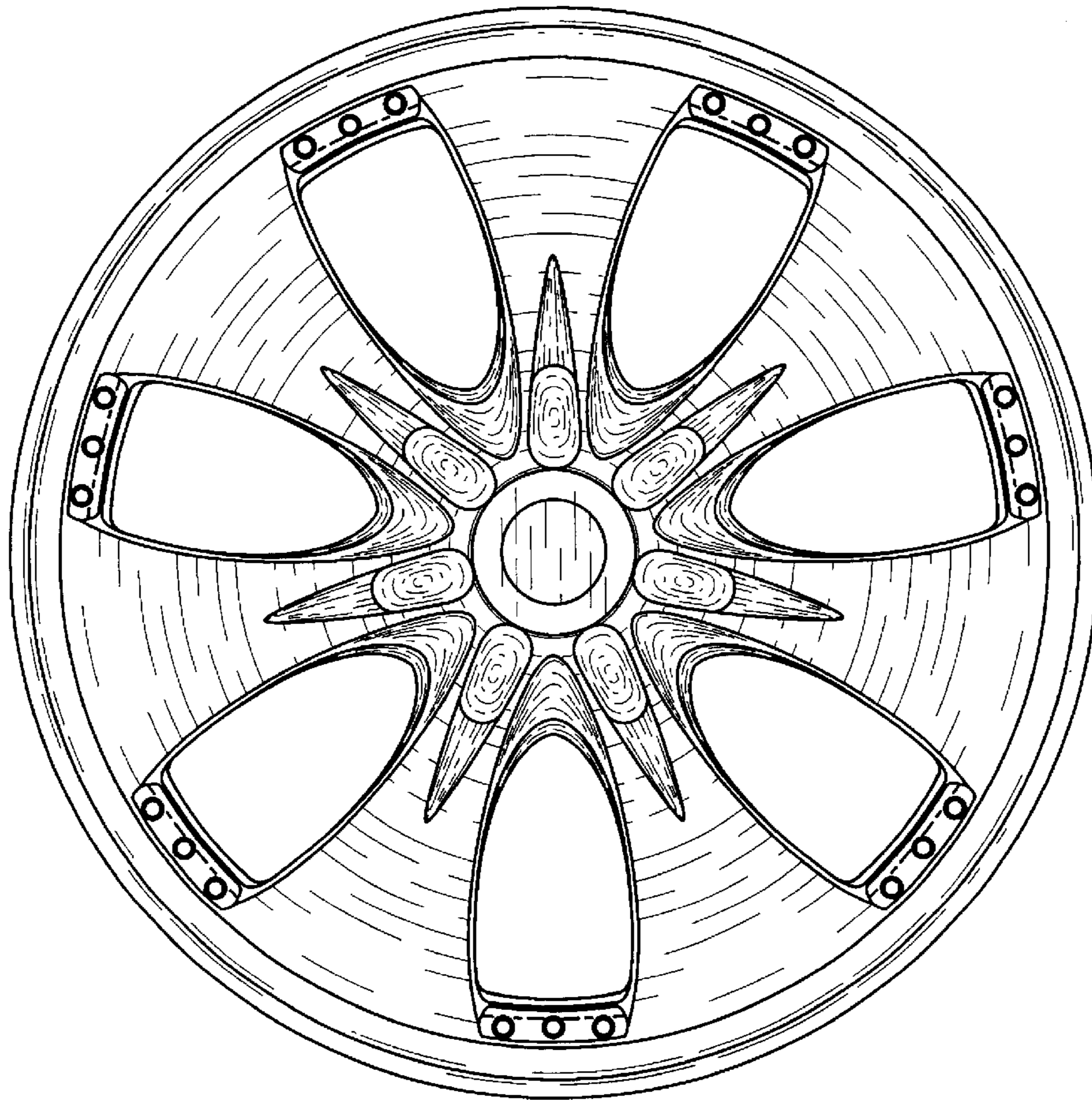


FIG. 2