



US00D529418S

(12) **United States Design Patent**
Muhlnickel

(10) **Patent No.:** **US D529,418 S**

(45) **Date of Patent:** **** Oct. 3, 2006**

(54) **TRAILER HITCH COVER**

D480,338 S * 10/2003 Harwood D11/162
6,832,556 B1 * 12/2004 Smalley, Jr. 102/430

(76) Inventor: **Donald L. Muhlnickel**, P.O. Box 2706,
South Bend, IN (US) 46614-2706

* cited by examiner

(**) Term: **14 Years**

Primary Examiner—Doris Clark

Assistant Examiner—Michael Pratt

(21) Appl. No.: **29/245,679**

(74) *Attorney, Agent, or Firm*—Ronald D. Foster

(22) Filed: **Dec. 28, 2005**

(57) **CLAIM**

The ornamental design for a trailer hitch cover, as shown and described.

(51) **LOC (8) Cl.** **12-16**

(52) **U.S. Cl.** **D12/162**

(58) **Field of Classification Search** D12/106,
D12/161, 162, 199, 400; D22/115, 116; 86/10,
86/12, 18, 19.5, 55; 280/186, 402-404, 405,
280/405.1, 405.2, 407, 407.1, 416.2, 455.1,
280/491.5

DESCRIPTION

See application file for complete search history.

FIG. 1 is a perspective view of a trailer hitch cover showing my new design.

FIG. 2 is a front elevation view thereof;

FIG. 3 is a top plan view thereof;

FIG. 4 is a right elevation view thereof;

FIG. 5 is a back elevation view thereof; and,

FIG. 6 is a bottom plan view thereof.

The broken line showing of the hitch body is for illustrative purposes only and forms no part of the claimed design.

(56) **References Cited**

U.S. PATENT DOCUMENTS

D407,212 S * 3/1999 Molaro D3/211

D468,659 S * 1/2003 Rauber D11/81

1 Claim, 2 Drawing Sheets

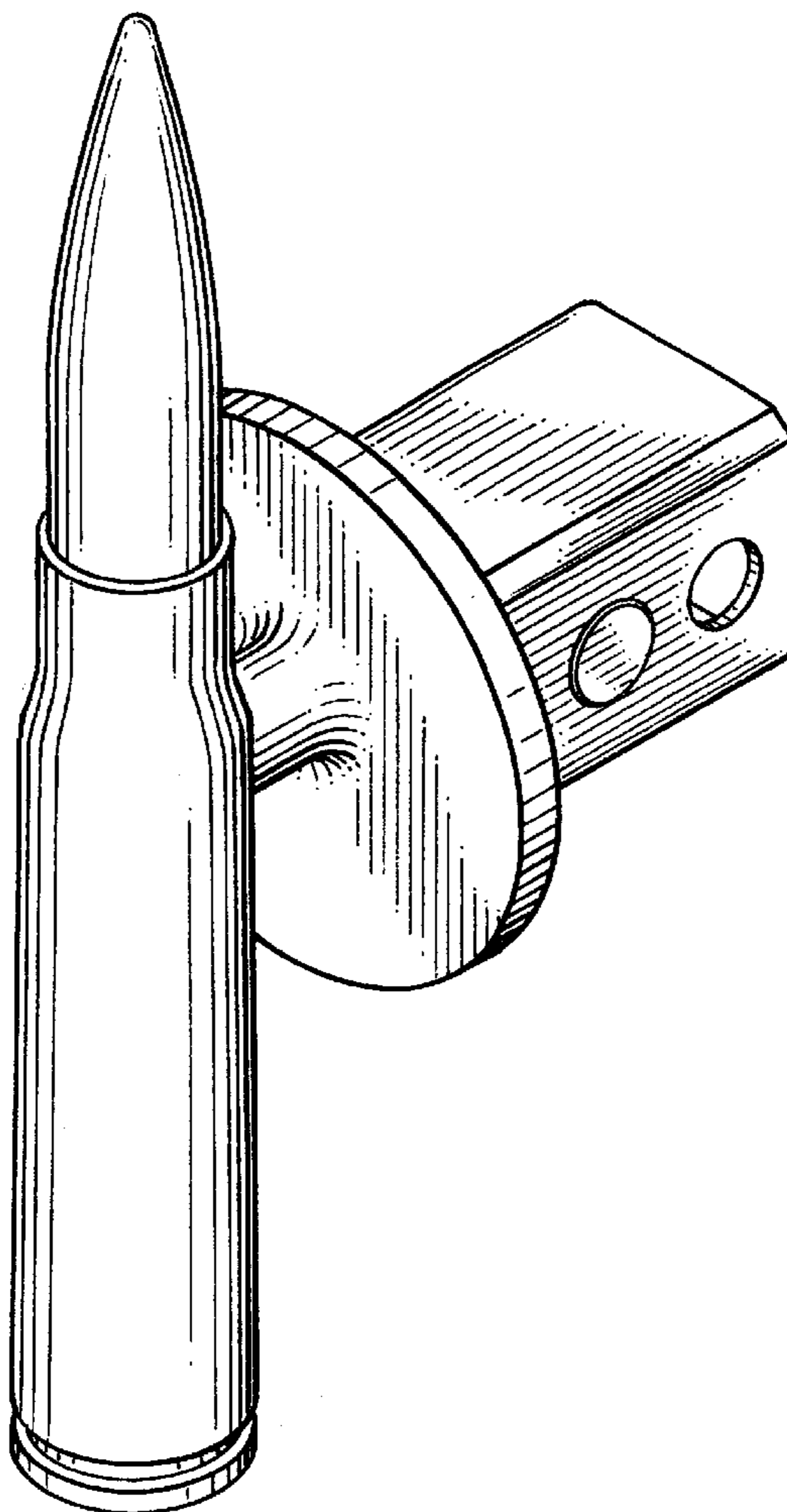


FIG.1

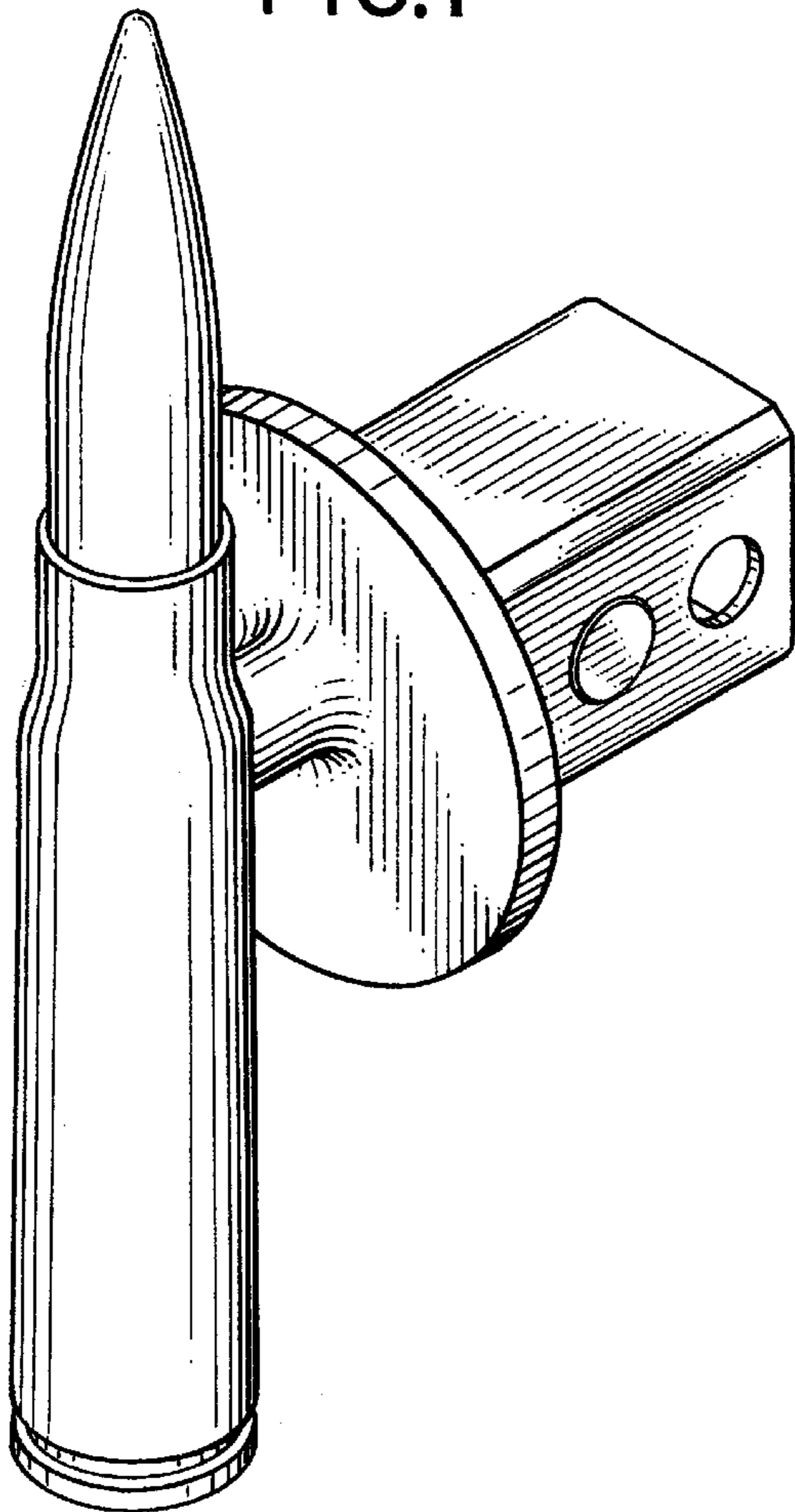
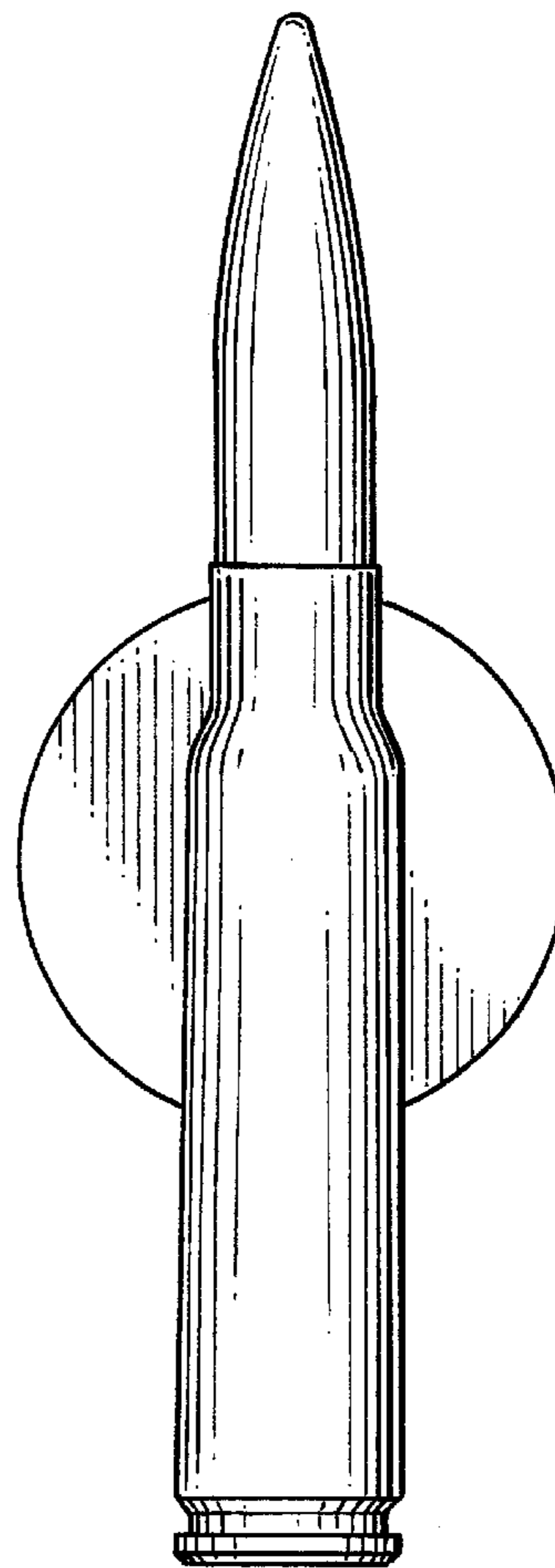


FIG.2



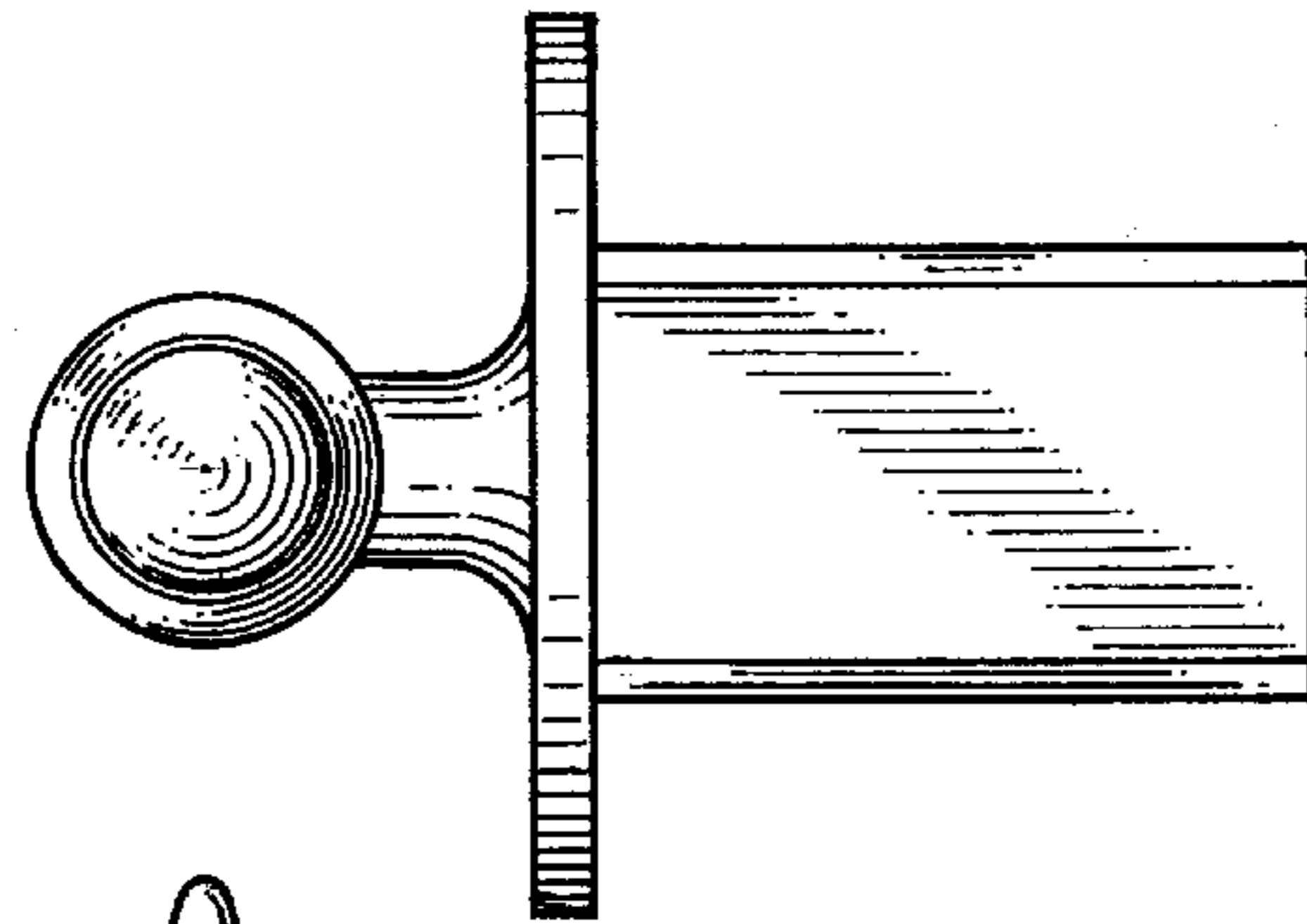


FIG. 3

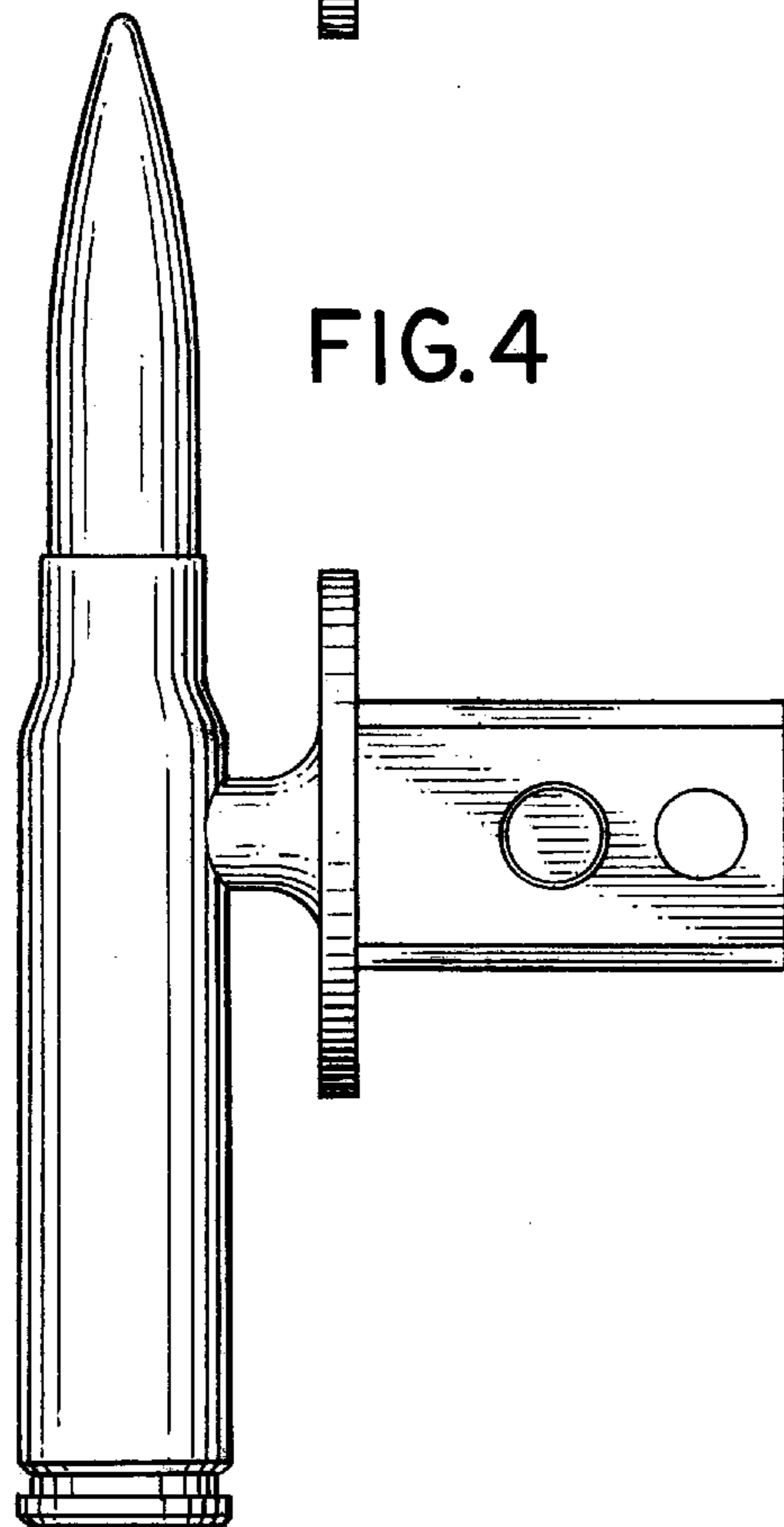


FIG. 4

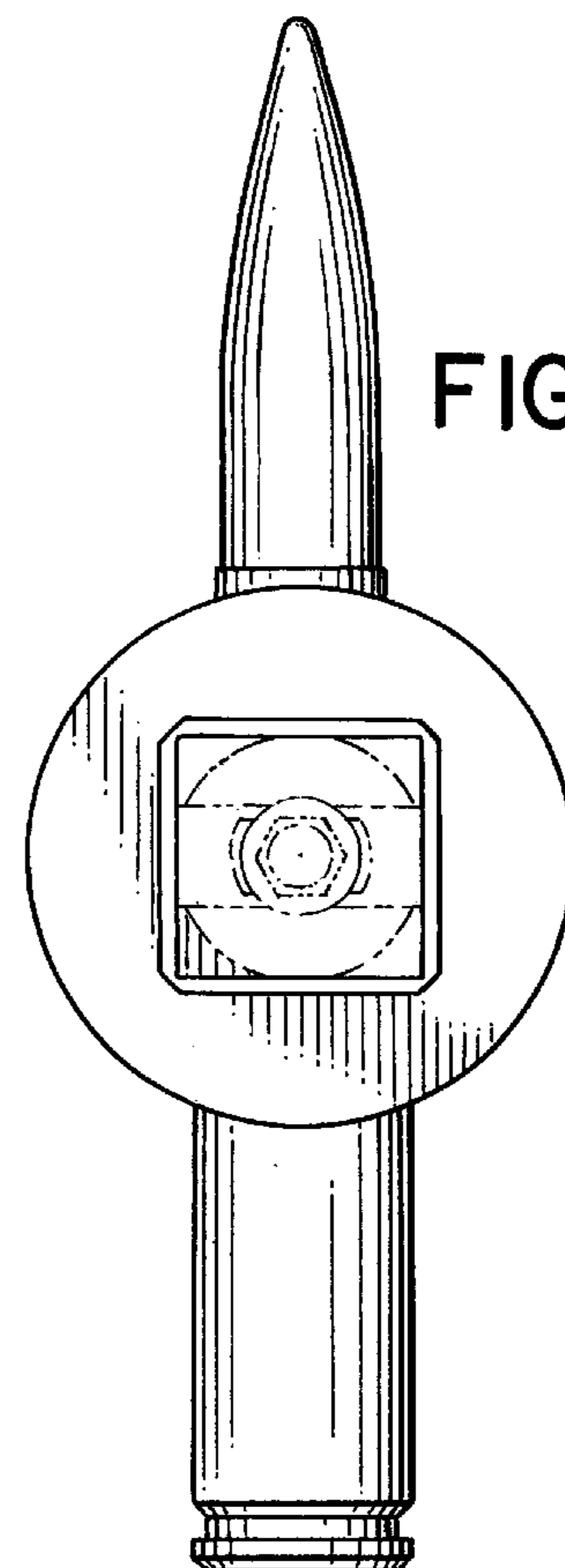


FIG. 5

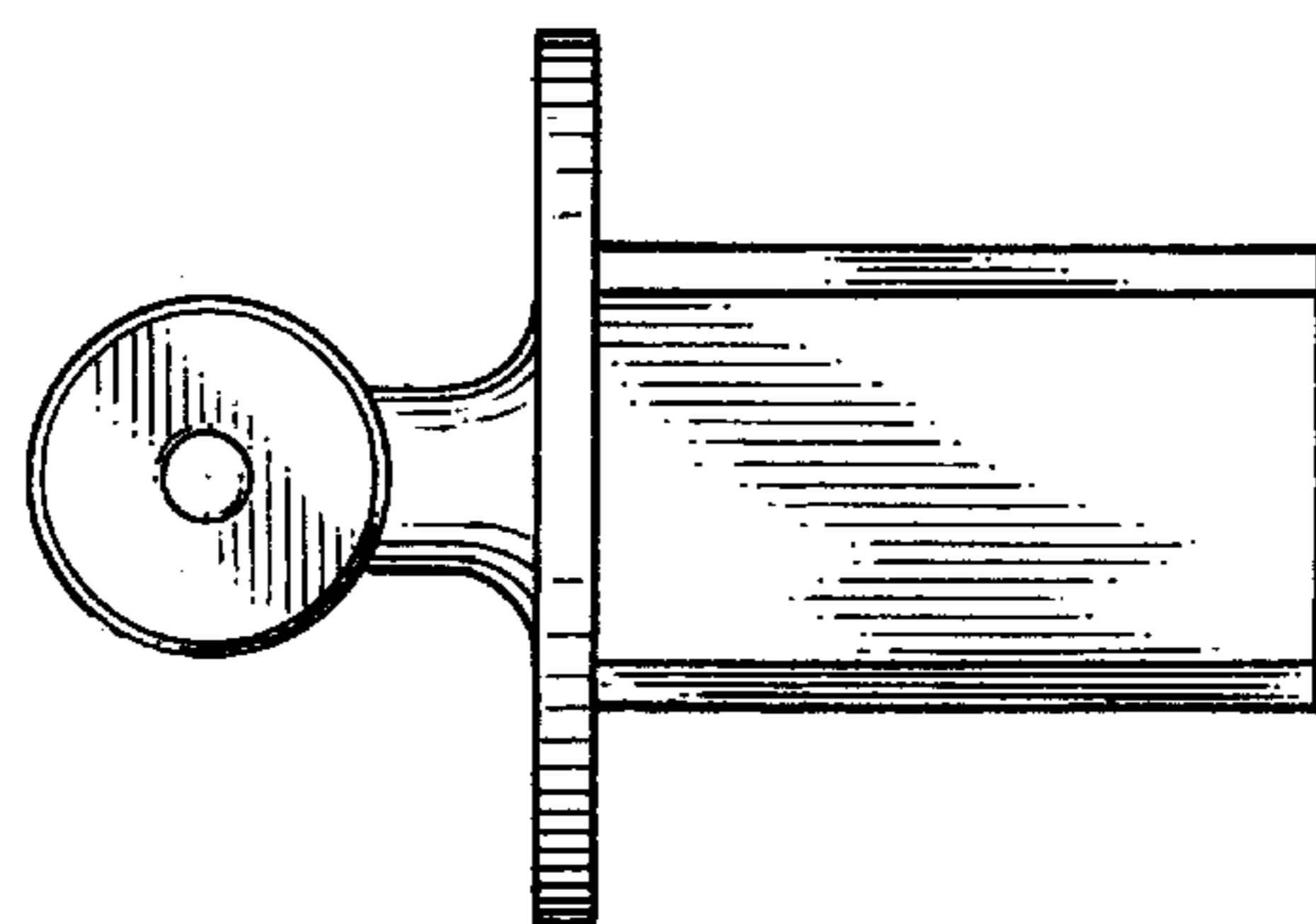


FIG. 6