



US00D529417S

(12) **United States Design Patent**
Wolfe

(10) **Patent No.:** **US D529,417 S**

(45) **Date of Patent:** **** Oct. 3, 2006**

(54) **TRAILER CONNECTION GUIDE WITH
SNAP OFF BALL RELEASE**

(76) Inventor: **Jimmie R. Wolfe**, 10555 Meadow Lark
La., Gravette, AR (US) 72736

(**) Term: **14 Years**

6,234,510 B1 * 5/2001 Hammons 280/477
6,712,378 B1 * 3/2004 Austin 280/477
6,764,091 B1 * 7/2004 Grasso et al. 280/477
6,932,374 B1 * 8/2005 Timms et al. 380/477
2002/0056971 A1 * 5/2002 Grasso et al. 280/477
2002/0070529 A1 * 6/2002 Dravec 280/477
2003/0075898 A1 * 4/2003 Perkins 280/477
2003/0178809 A1 * 9/2003 Anderson 280/477

(21) Appl. No.: **29/218,061**
(22) Filed: **Nov. 24, 2004**

* cited by examiner

(51) **LOC (8) Cl.** **12-16**
(52) **U.S. Cl.** **D12/162**
(58) **Field of Classification Search** D12/106,
D12/161, 162; D3/7-9; 135/65-76; 280/402-404,
280/405.2, 407, 407.1, 416.2, 455.1, 491.5,
280/186, 511, 512, 513, 482
See application file for complete search history.

Primary Examiner—Doris Clark
Assistant Examiner—Michael Pratt
(74) *Attorney, Agent, or Firm*—Keisling Pieper & Scott plc;
David B. Pieper; Trent C. Keisling

(57) **CLAIM**

The ornamental design for a trailer connection guide with
snap off ball release, as shown and described.

DESCRIPTION

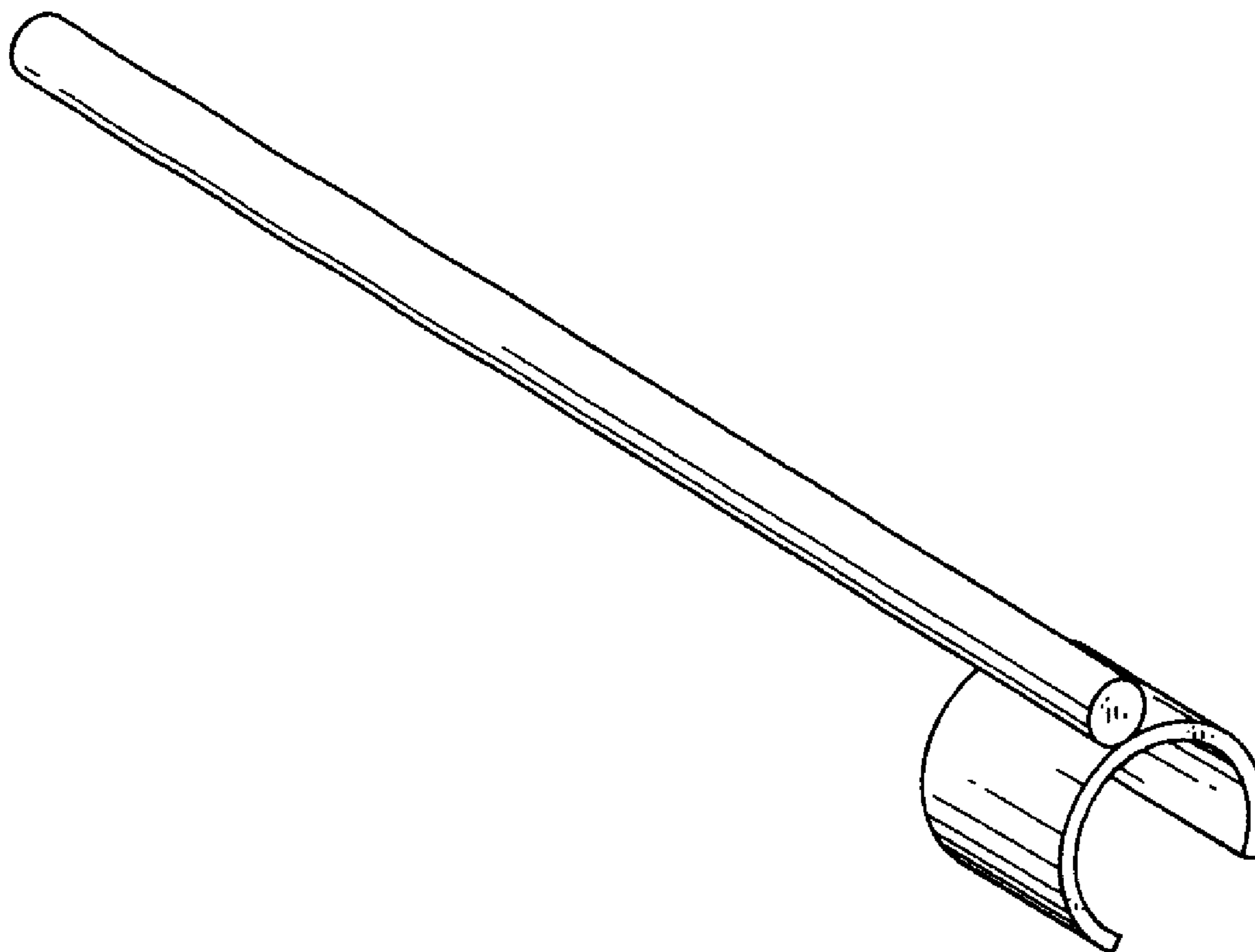
(56) **References Cited**

FIG. 1 is a top view of a trailer connection guide with snap
off ball release showing my new design;
FIG. 2 is a right side elevational view thereof;
FIG. 3 is a front elevational view thereof;
FIG. 4 is a bottom elevational view thereof;
FIG. 5 is a left elevational view thereof;
FIG. 6 is a back elevational view thereof; and
FIG. 7 is a lower perspective view thereof; and,
FIG. 8 is an upper perspective view thereof.

U.S. PATENT DOCUMENTS

3,228,445 A * 1/1966 Mayotte D12/162
4,285,138 A * 8/1981 Berry 33/264
5,382,109 A * 1/1995 Nyman 280/512
5,458,143 A * 10/1995 Herr 135/68
5,558,352 A * 9/1996 Mills 280/477
5,669,621 A * 9/1997 Lockwood 280/477
5,771,910 A * 6/1998 Klutz 135/68
6,113,125 A * 9/2000 Colibert et al. 280/511
6,139,041 A * 10/2000 Murphy 280/477

1 Claim, 3 Drawing Sheets



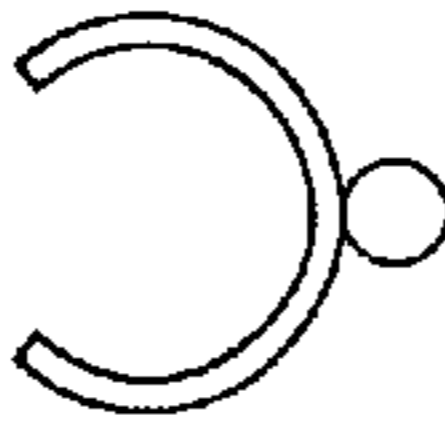


FIG. 1



FIG. 2

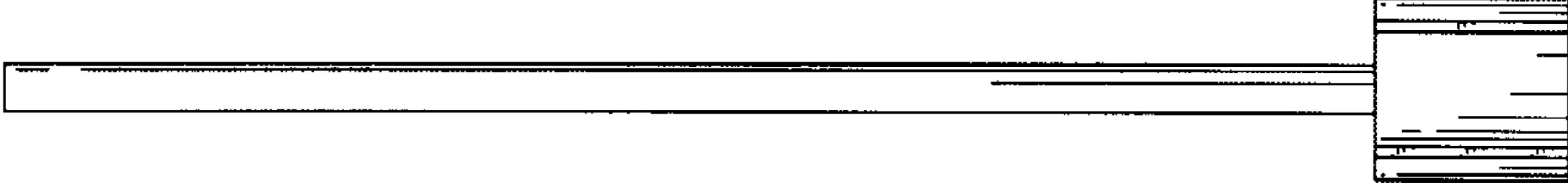


FIG. 3

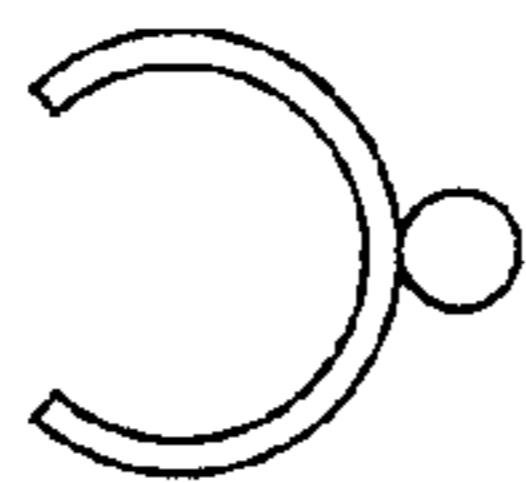


FIG. 4

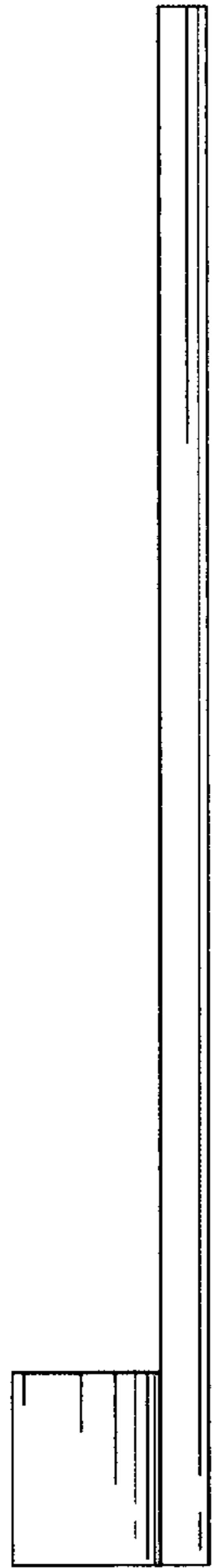


FIG. 5

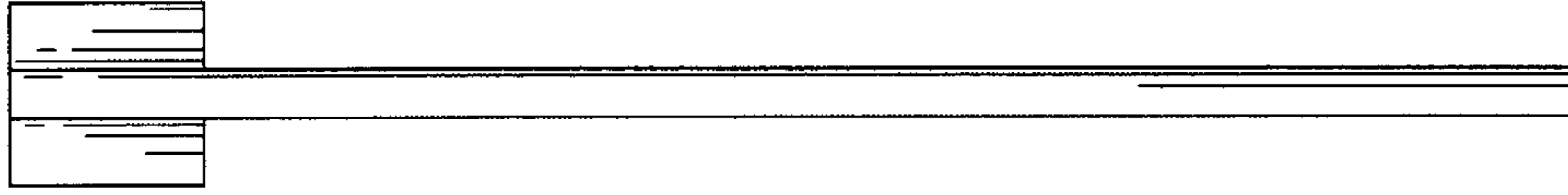


FIG. 6

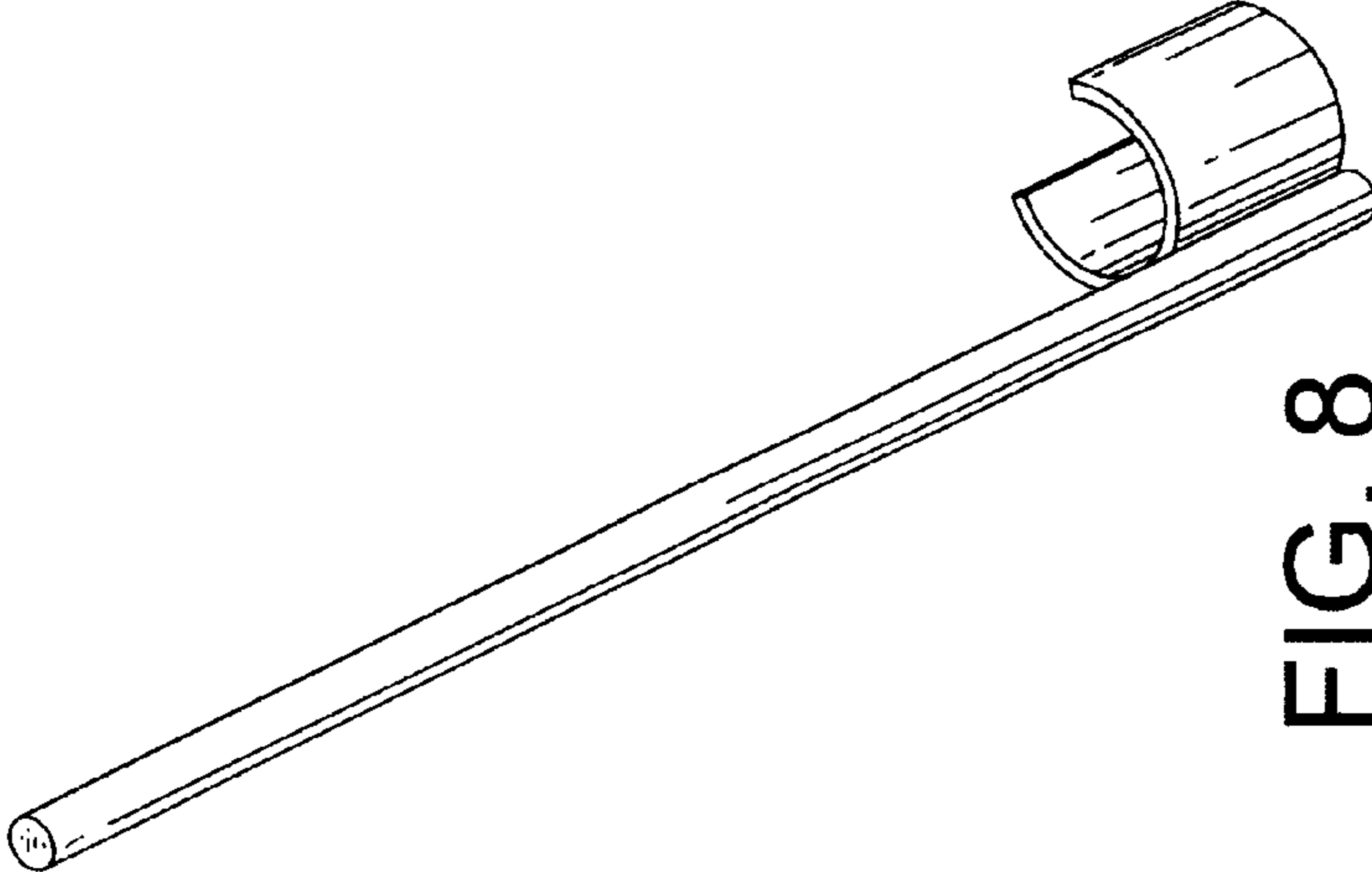


FIG. 8

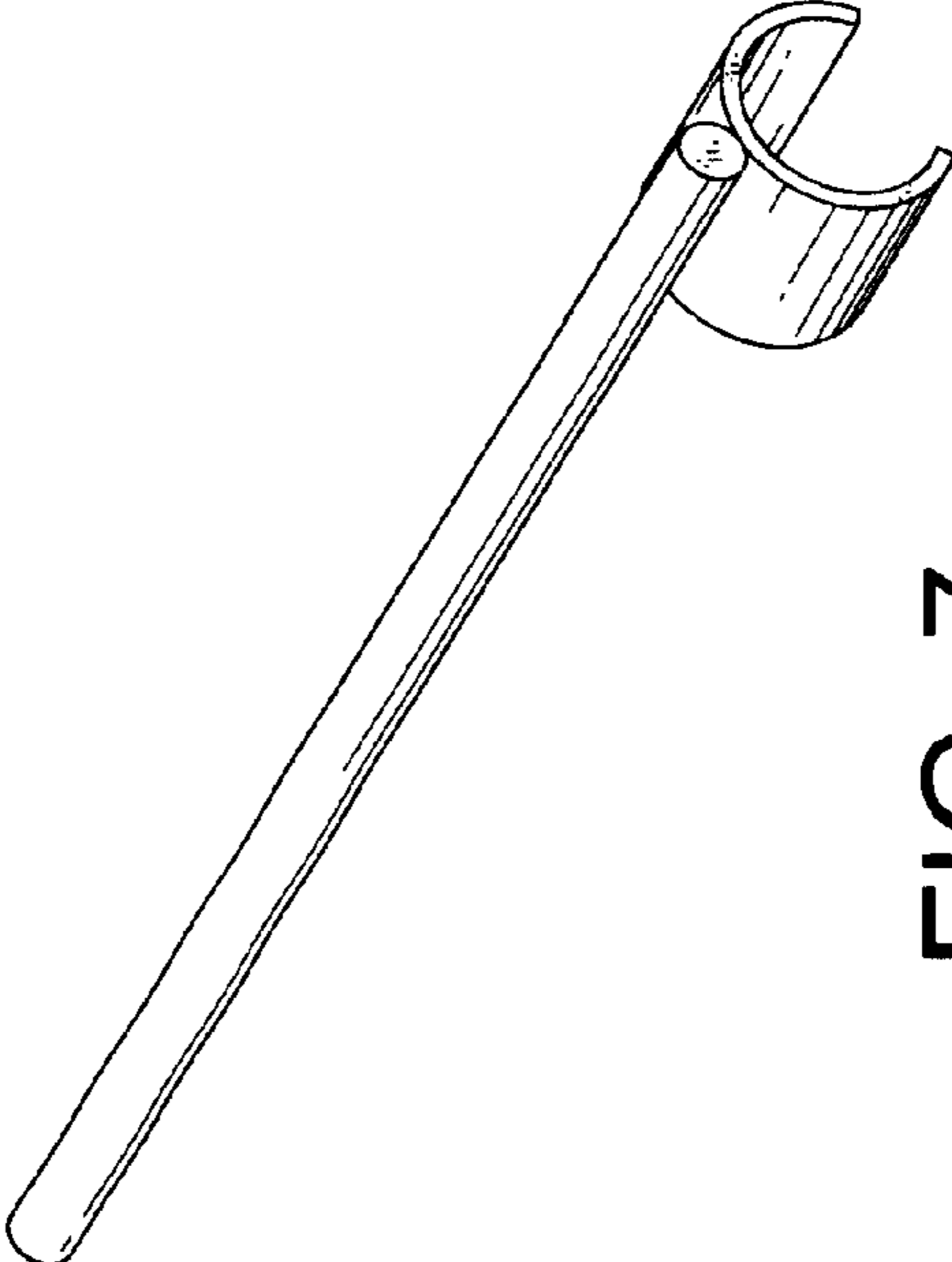


FIG. 7