



US00D529416S

(12) **United States Design Patent**
Hong

(10) **Patent No.:** **US D529,416 S**

(45) **Date of Patent:** **** Oct. 3, 2006**

(54) **BODYSTYLE OF TRICYCLE**

(76) Inventor: **Jae Hyun Hong**, 14065 Stage Rd.,
Bloomfield Commerce Center, Santa Fe
Springs, CA (US) 90670

(**) Term: **14 Years**

(21) Appl. No.: **29/228,939**

(22) Filed: **Apr. 29, 2005**

(51) **LOC (8) Cl.** **12-11**

(52) **U.S. Cl.** **D12/111**

(58) **Field of Classification Search** D12/111,
D12/112, 113, 126; D21/432, 435, 538; 280/827,
280/828, 259, 263, 270, 271, 288.2, 304.3,
280/304.4, 282; 296/181.1, 192, 193.05,
296/78.1; 446/440

See application file for complete search history.

(56) **References Cited**

U.S. PATENT DOCUMENTS

D271,594 S * 11/1983 Mercurio et al. D21/432
6,595,531 B1 * 7/2003 de Oliveira 280/288.3

* cited by examiner

Primary Examiner—Alan P. Douglas

Assistant Examiner—Linda Brooks

(74) *Attorney, Agent, or Firm*—John K. Park; Park Law
Firm

(57) **CLAIM**

The ornamental design for a bodystyle of tricycle, as shown
and described.

DESCRIPTION

FIG. 1 is a perspective view of a body of tricycle showing
my new design;

FIG. 2 is another perspective view thereof;

FIG. 3 is still another perspective view thereof;

FIG. 4 is a front elevation view thereof;

FIG. 5 is a rear elevation view thereof;

FIG. 6 is a top plan view thereof; and,

FIG. 7 is a left side view thereof.

The broken line showing of environment is for illustrative
purposes only and forms no part of the claimed design.

1 Claim, 7 Drawing Sheets

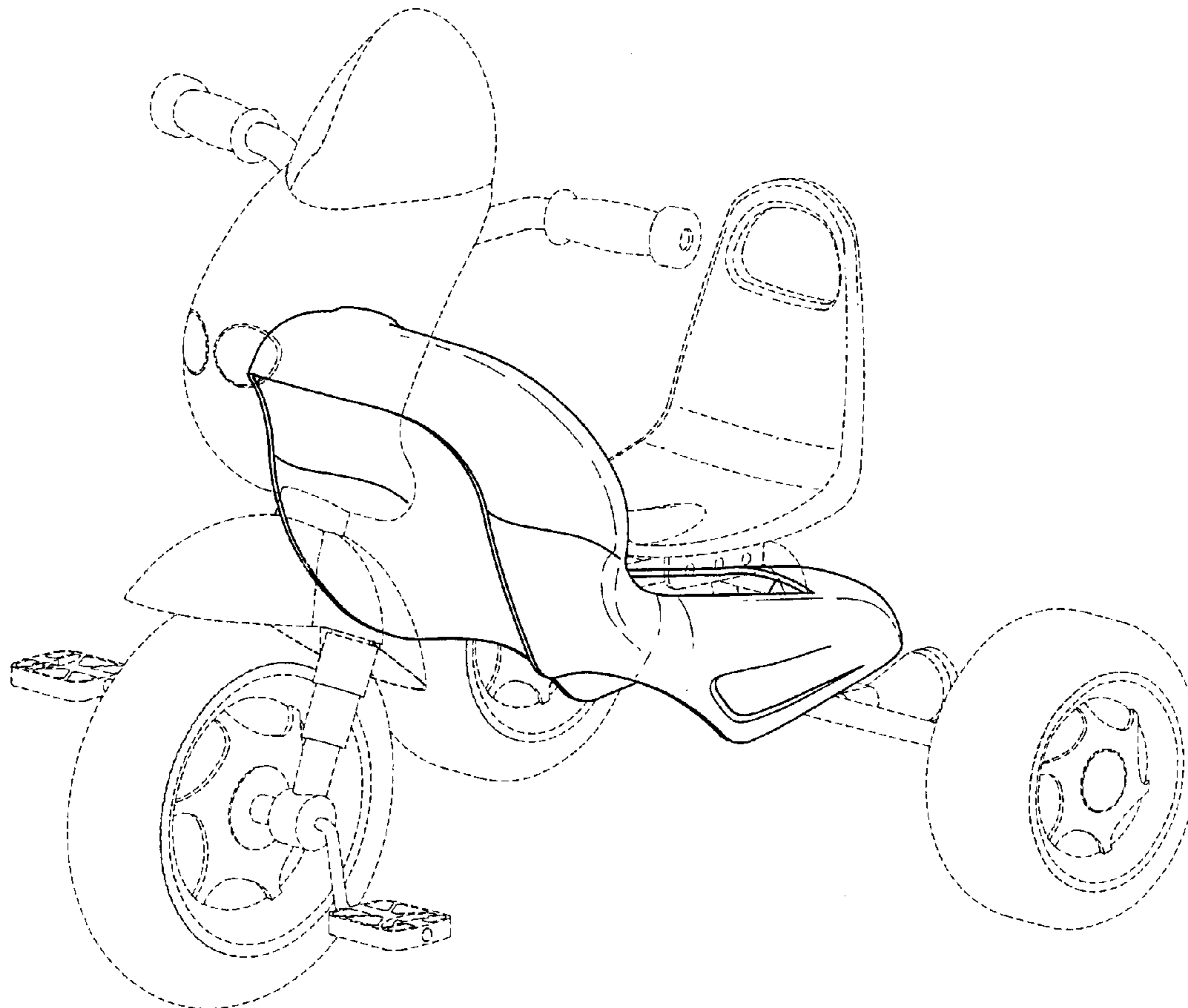


FIG. 1

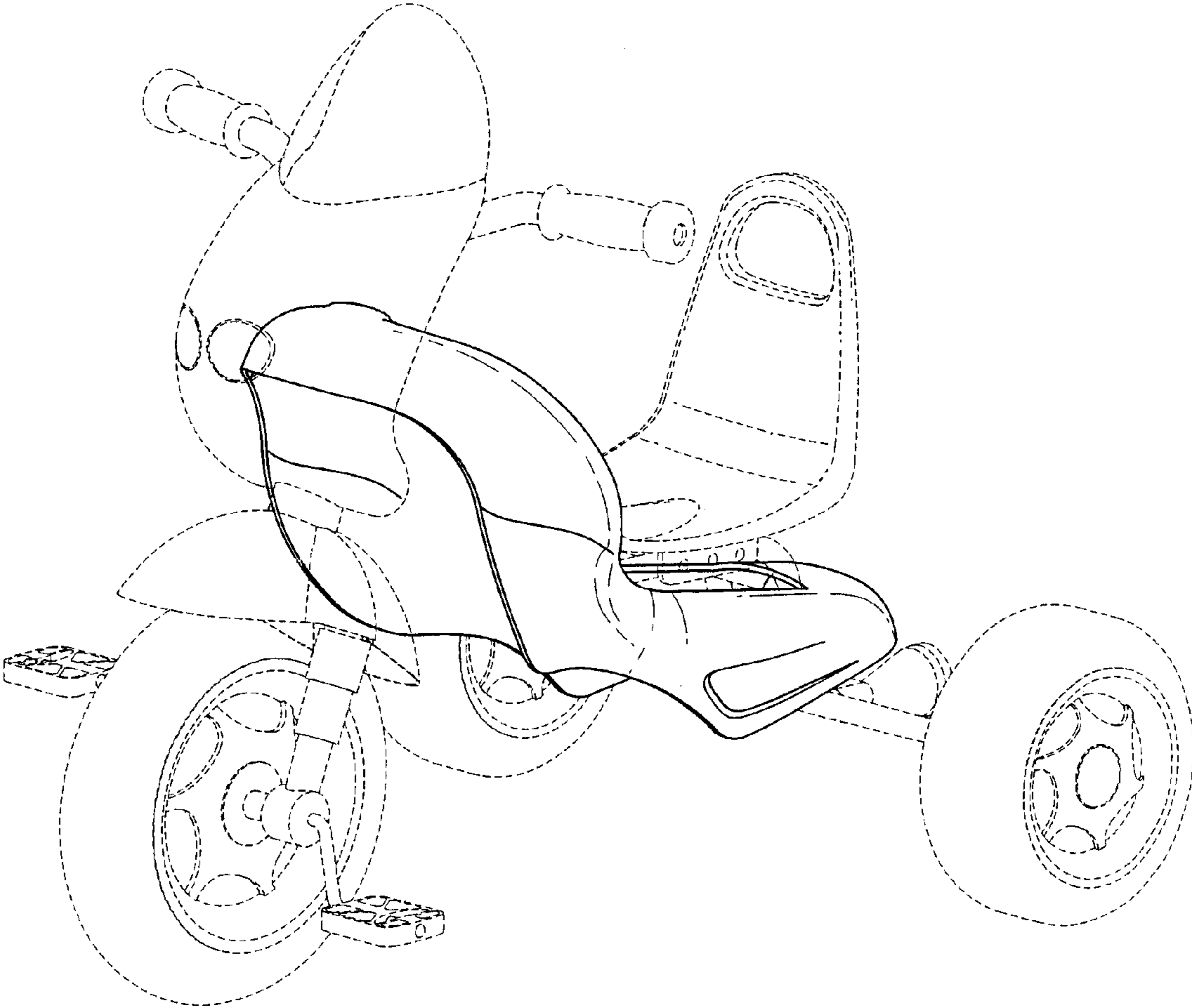


FIG. 2

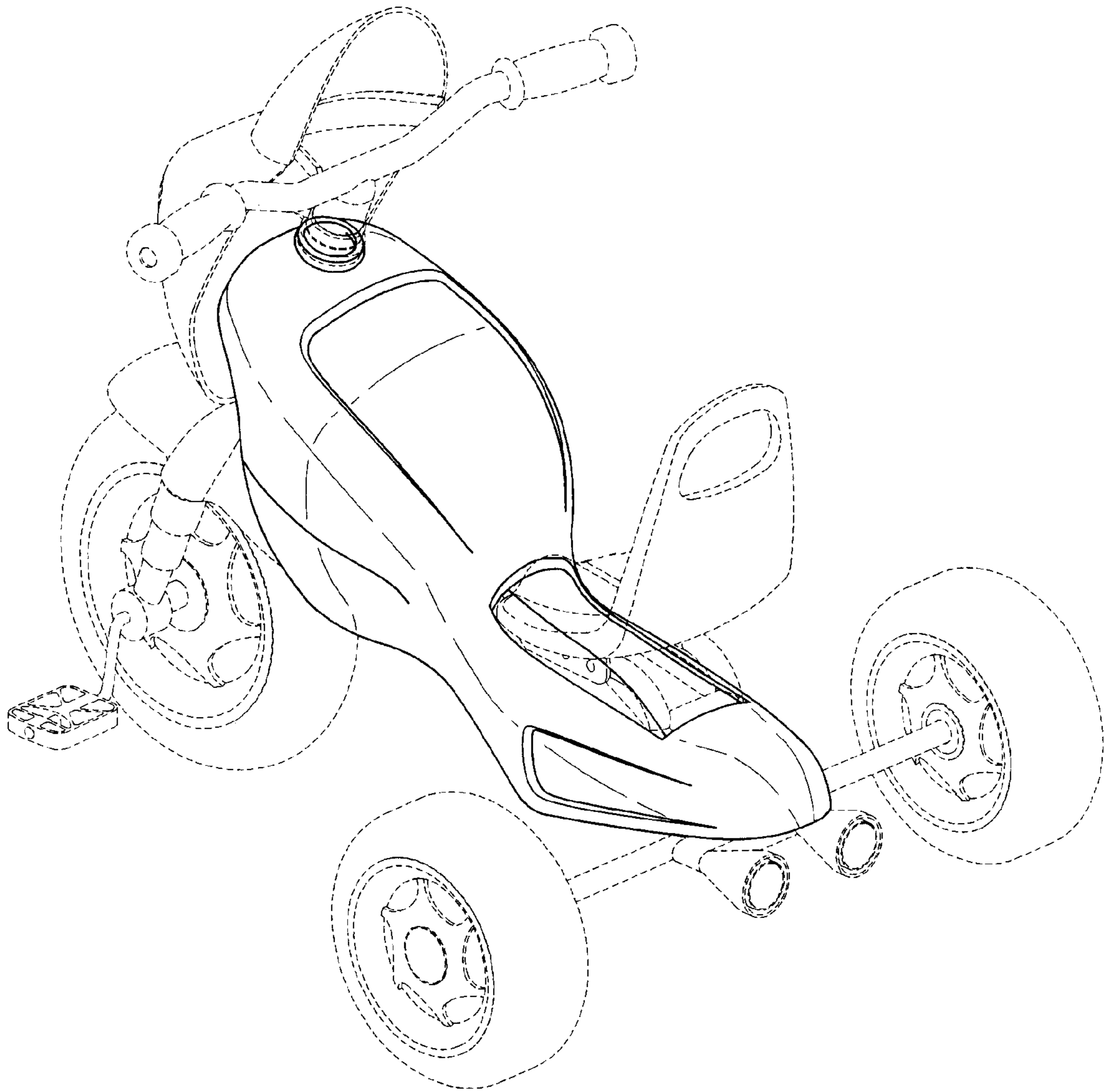


FIG. 3

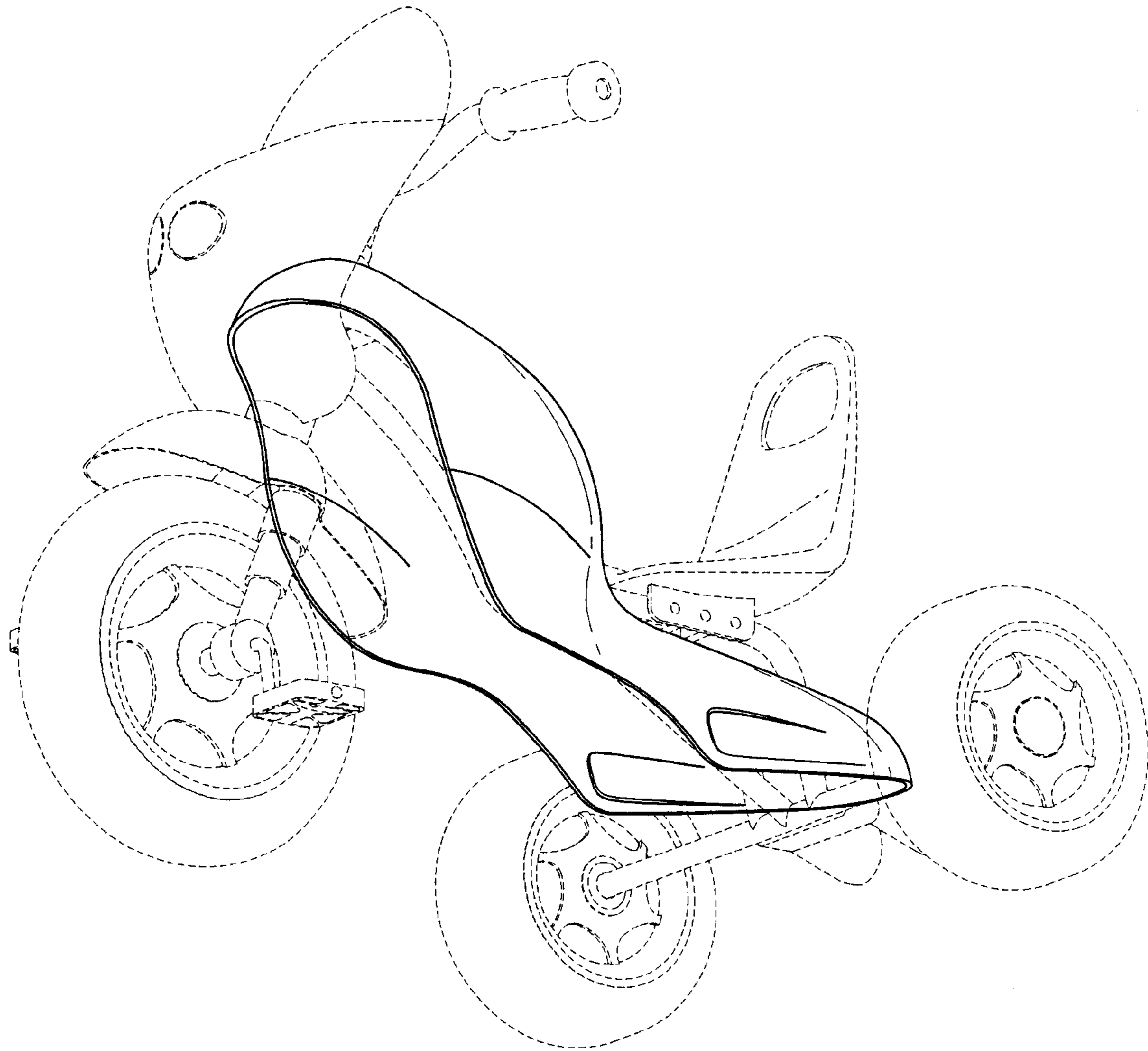


FIG. 4

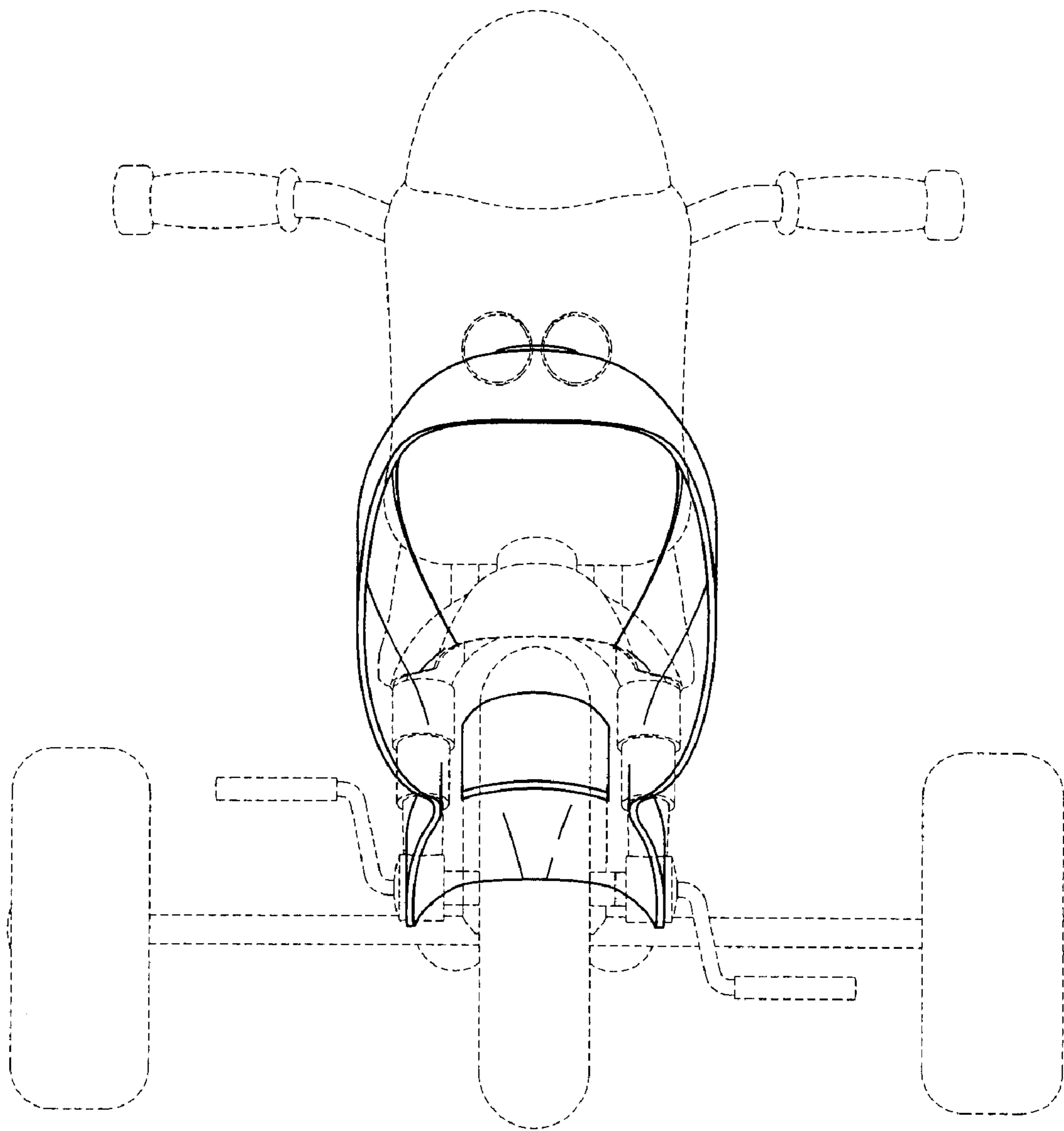


FIG. 5

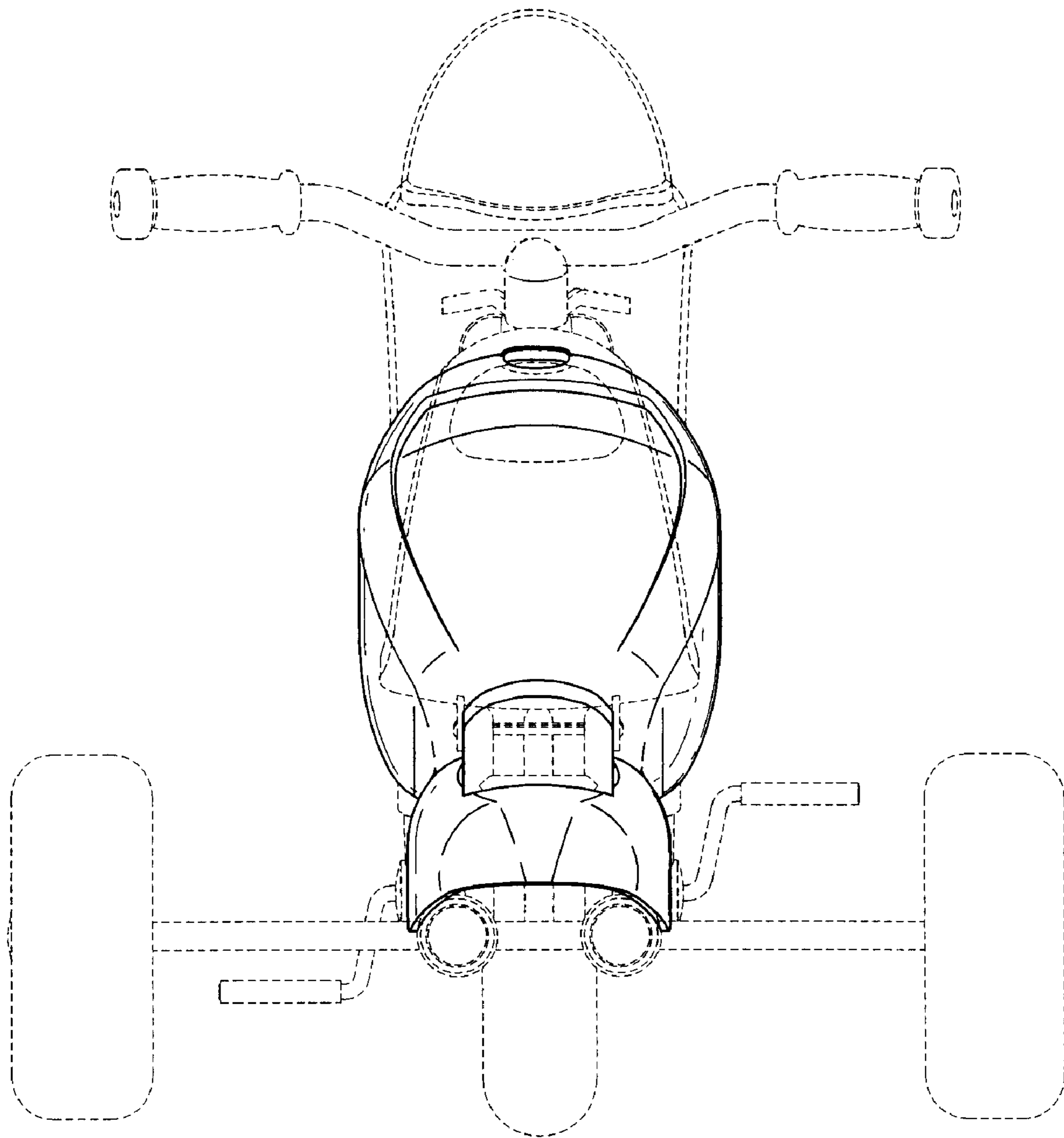


FIG. 6

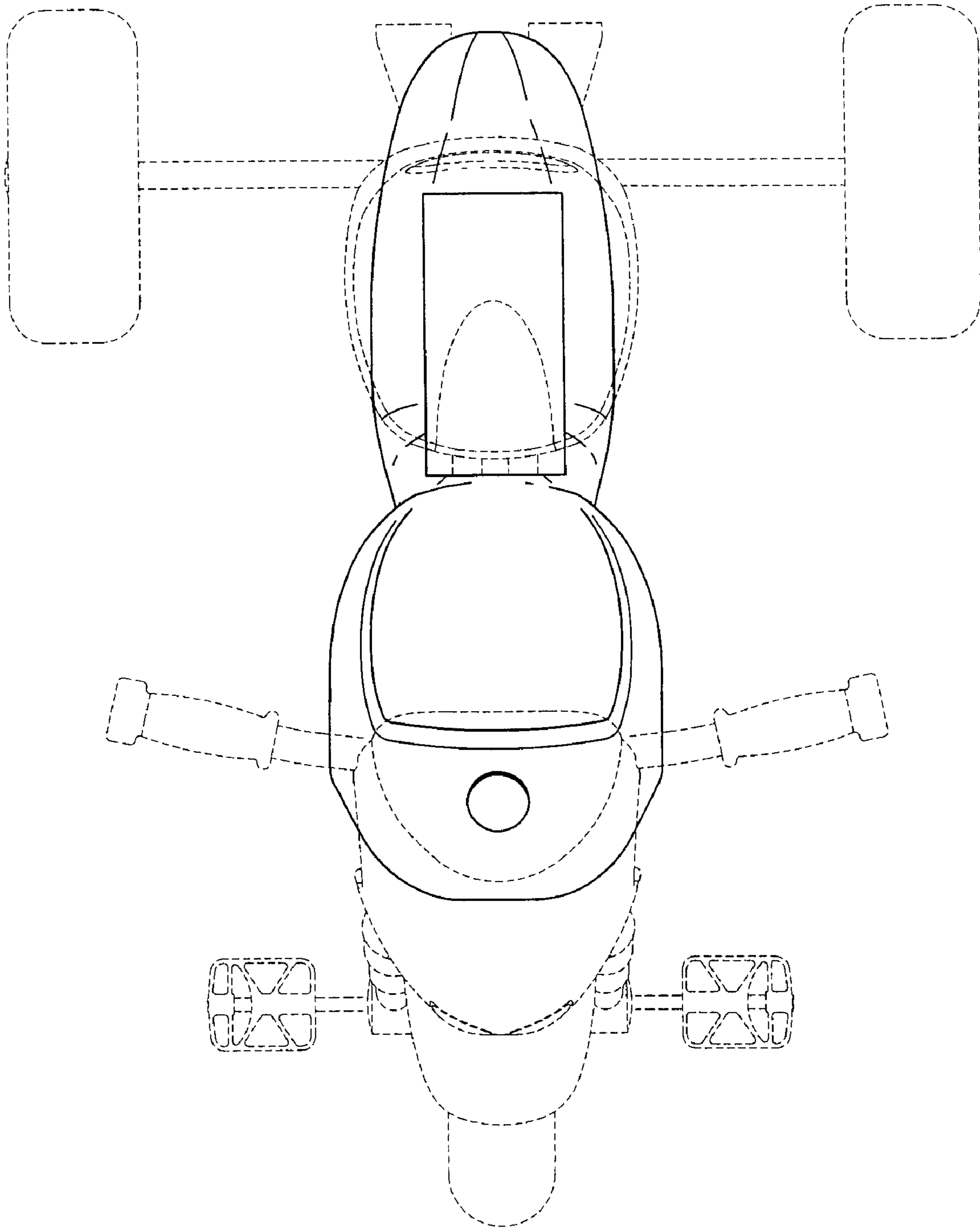


FIG. 7

