



US00D529414S

(12) **United States Design Patent**
Wu et al.

(10) **Patent No.:** **US D529,414 S**

(45) **Date of Patent:** **** Oct. 3, 2006**

(54) **ALL TERRAIN VEHICLE**

D496,308 S * 9/2004 Wu D12/107
D516,467 S * 3/2006 Wu D12/107

(75) Inventors: **Wen-Yung Wu**, Kaohsiung (TW);
Kuo-Feng Huang, Kaohsiung (TW);
Chi-Seh Cheo, Kaohsiung (TW)

* cited by examiner

Primary Examiner—Alan P. Douglas
Assistant Examiner—Linda Brooks
(74) *Attorney, Agent, or Firm*—Leong C. Lei

(73) Assignee: **Kwang Yang Motor Co., Ltd.**,
Kaohsiung (TW)

(**) Term: **14 Years**

(57) **CLAIM**

The ornamental design for an all terrain vehicle, as shown and described.

(21) Appl. No.: **29/239,320**

(22) Filed: **Sep. 29, 2005**

DESCRIPTION

(51) **LOC (8) Cl.** **12-11**

(52) **U.S. Cl.** **D12/107**

(58) **Field of Classification Search** D12/3,
D12/86, 87, 107, 110; 180/223, 225, 229,
180/311, 312, 315

See application file for complete search history.

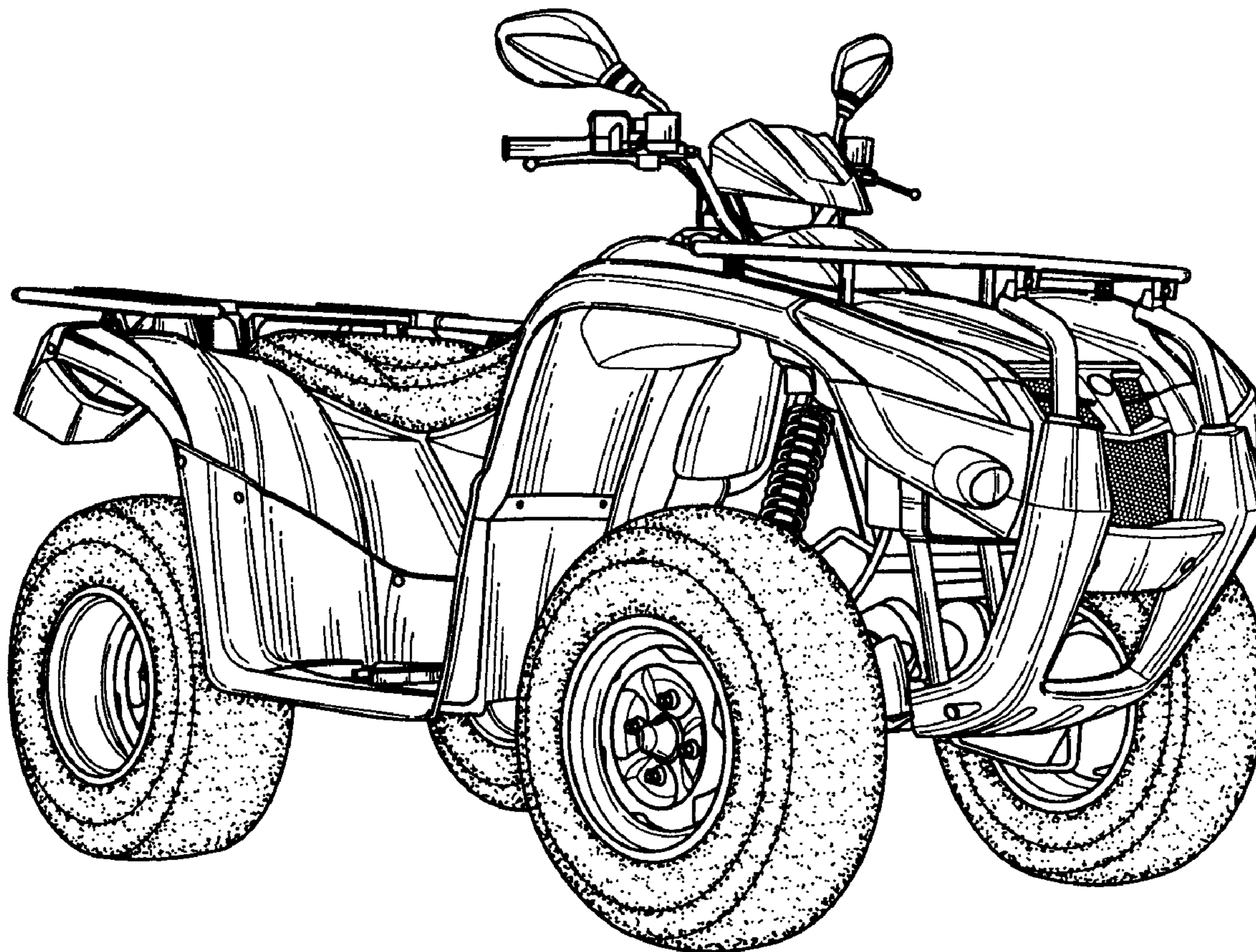
FIG. 1 is a left front side perspective view of an all terrain vehicle showing my new design;
FIG. 2 is a front elevational view thereof;
FIG. 3 is a rear elevational view thereof;
FIG. 4 is a left side elevational view thereof;
FIG. 5 is a right side elevational view thereof;
FIG. 6 is a top plan view thereof; and,
FIG. 7 is a bottom plan view thereof.

(56) **References Cited**

U.S. PATENT DOCUMENTS

D485,212 S * 1/2004 Wu D12/107

1 Claim, 4 Drawing Sheets



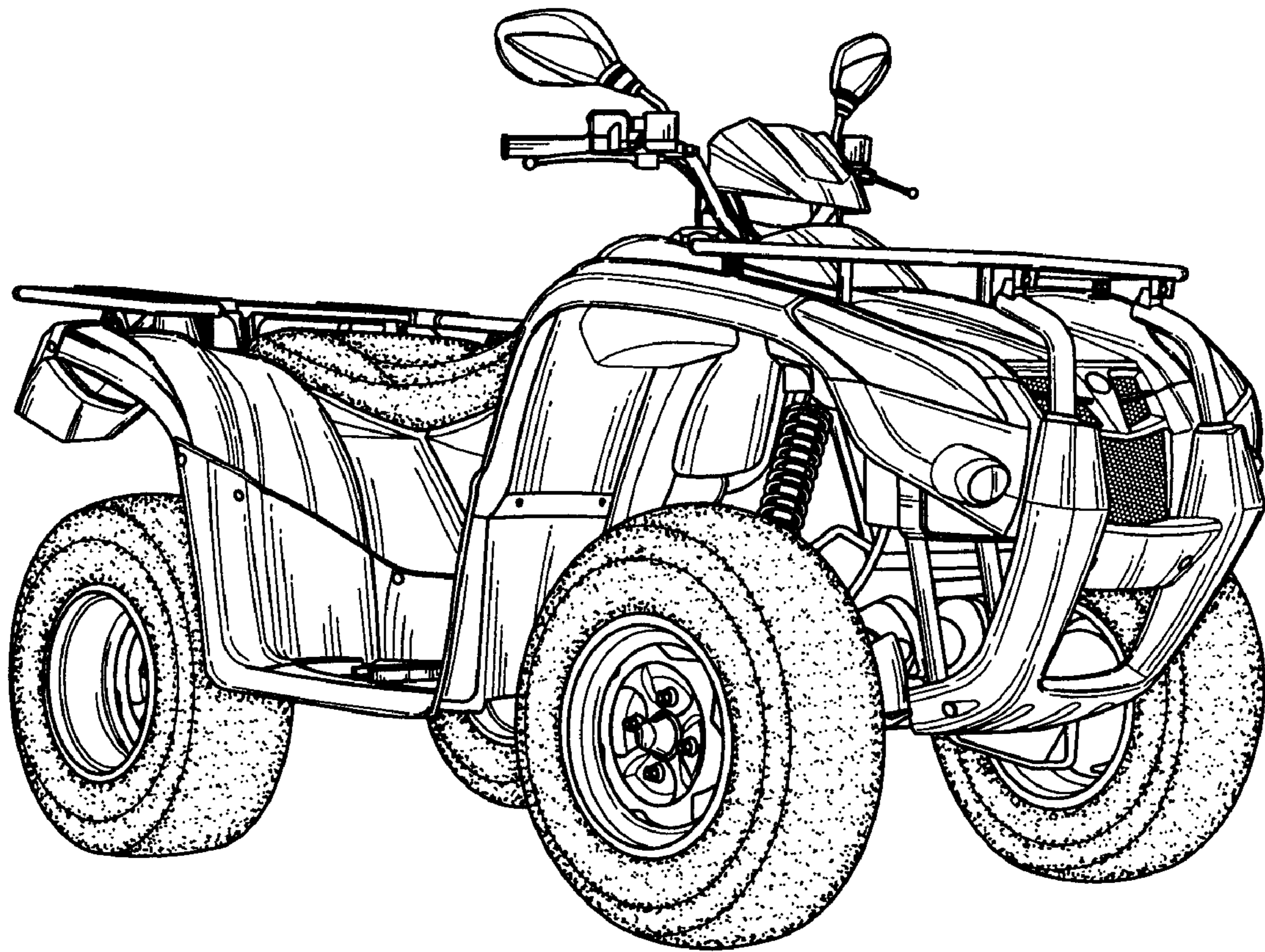


FIG.1

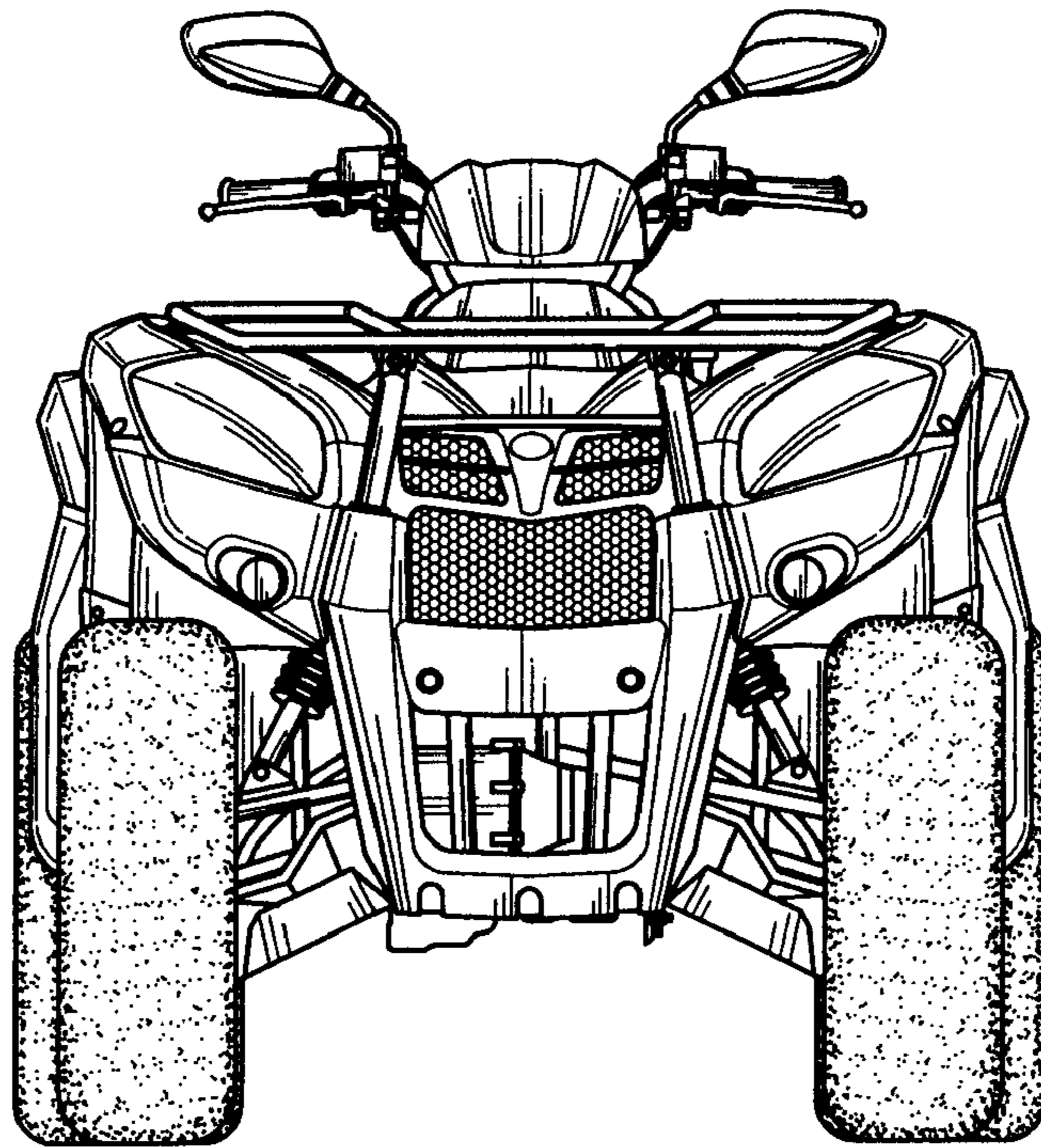


FIG. 2

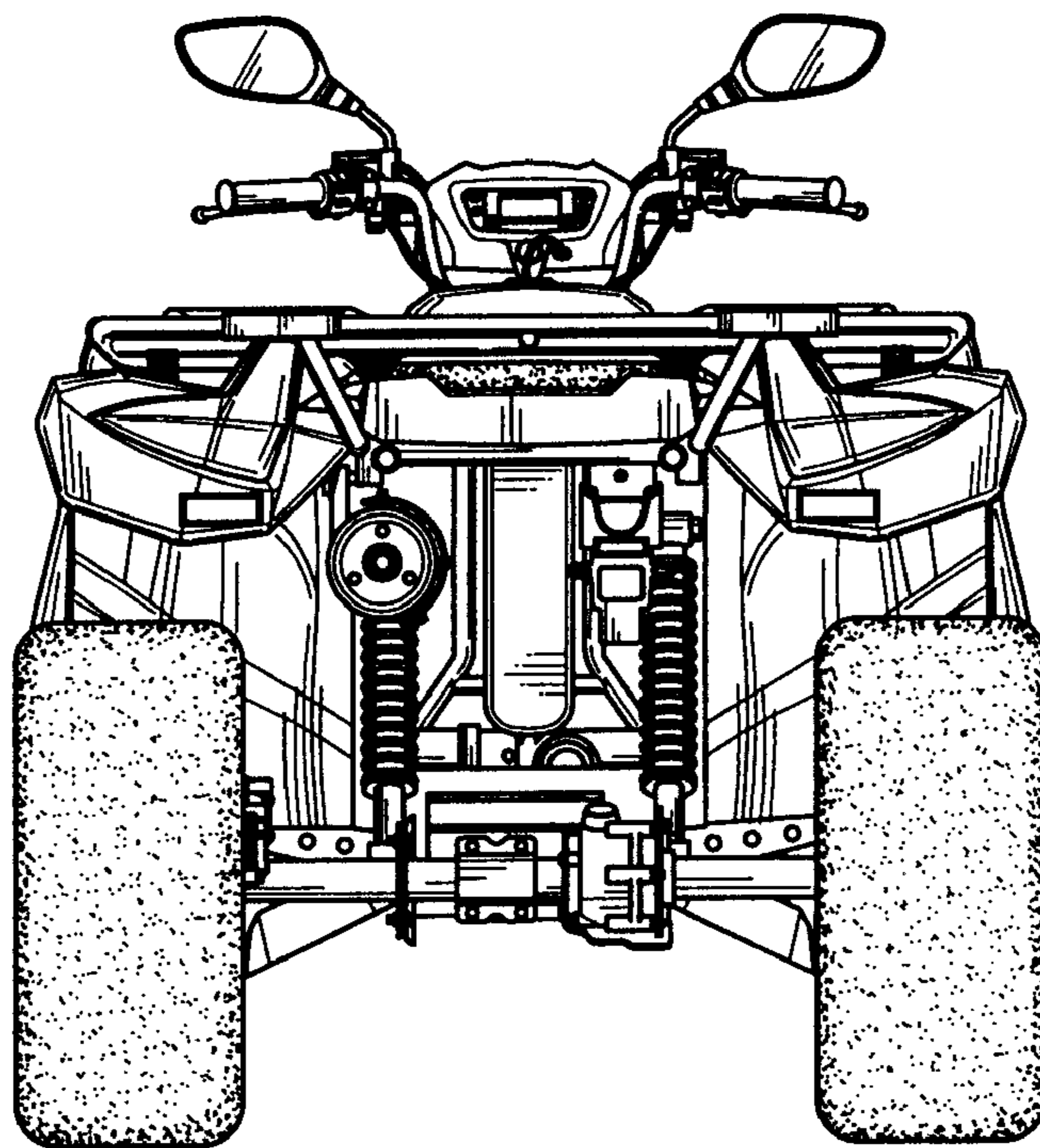


FIG. 3

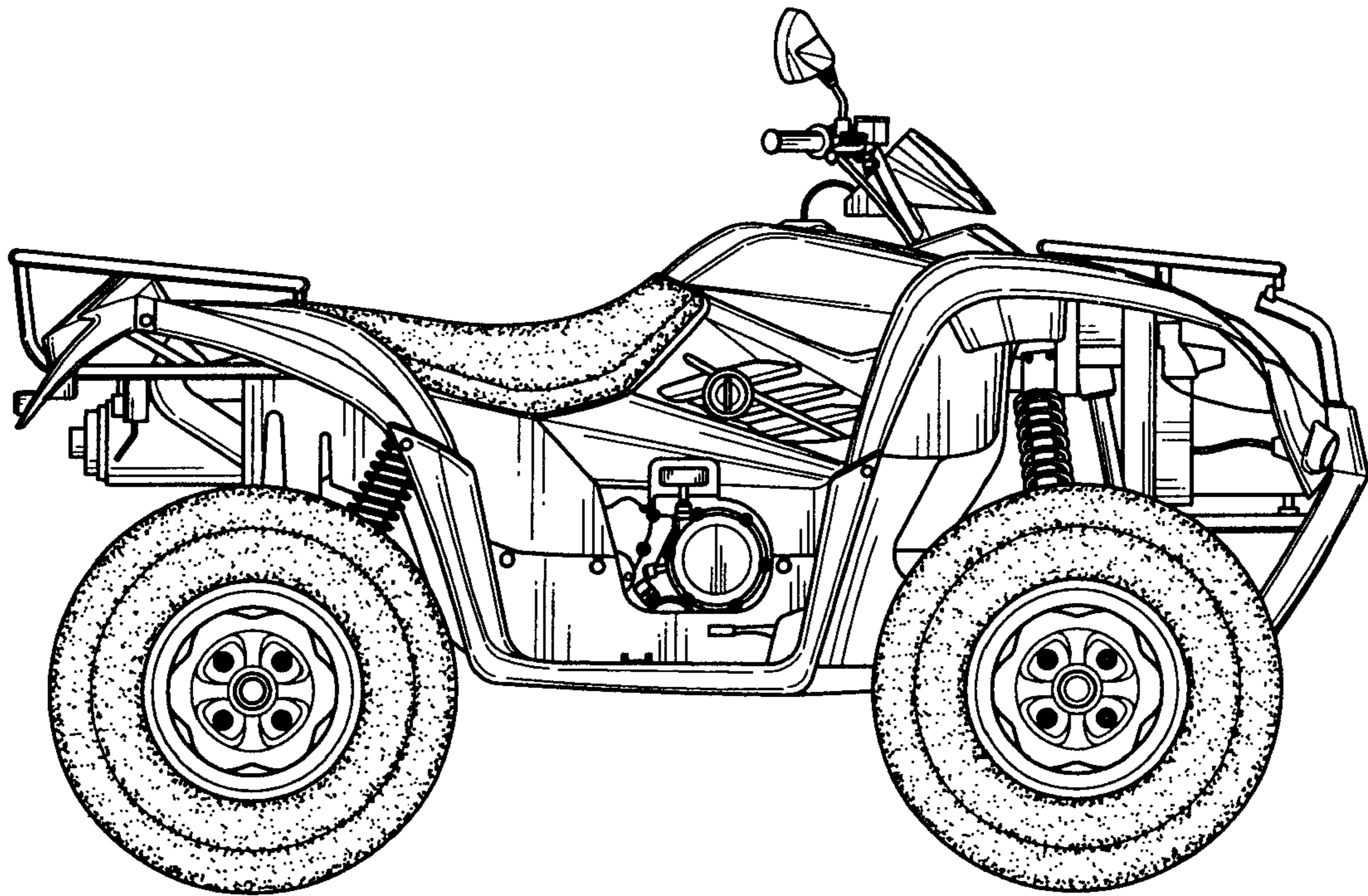


FIG. 4

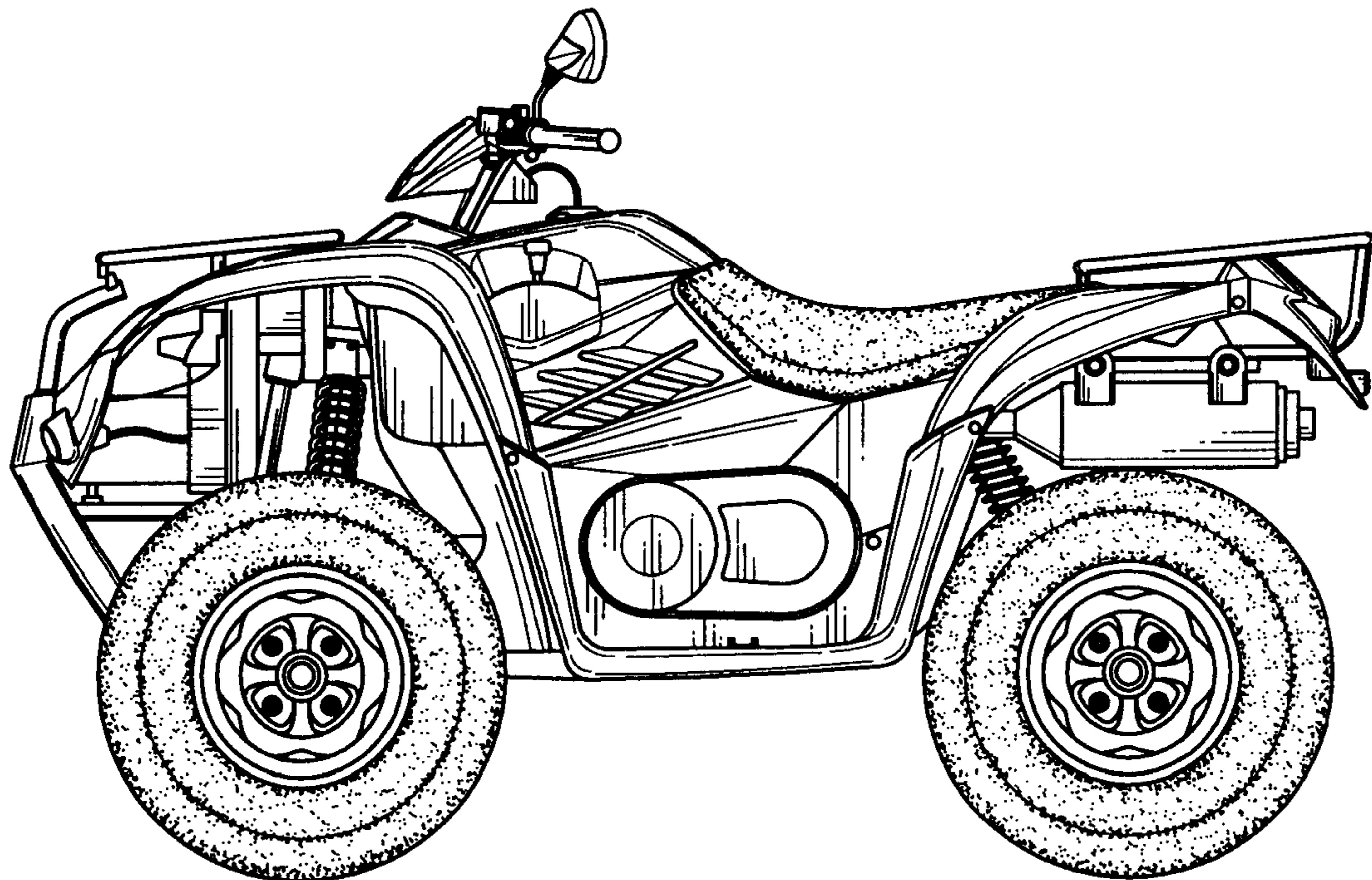


FIG. 5

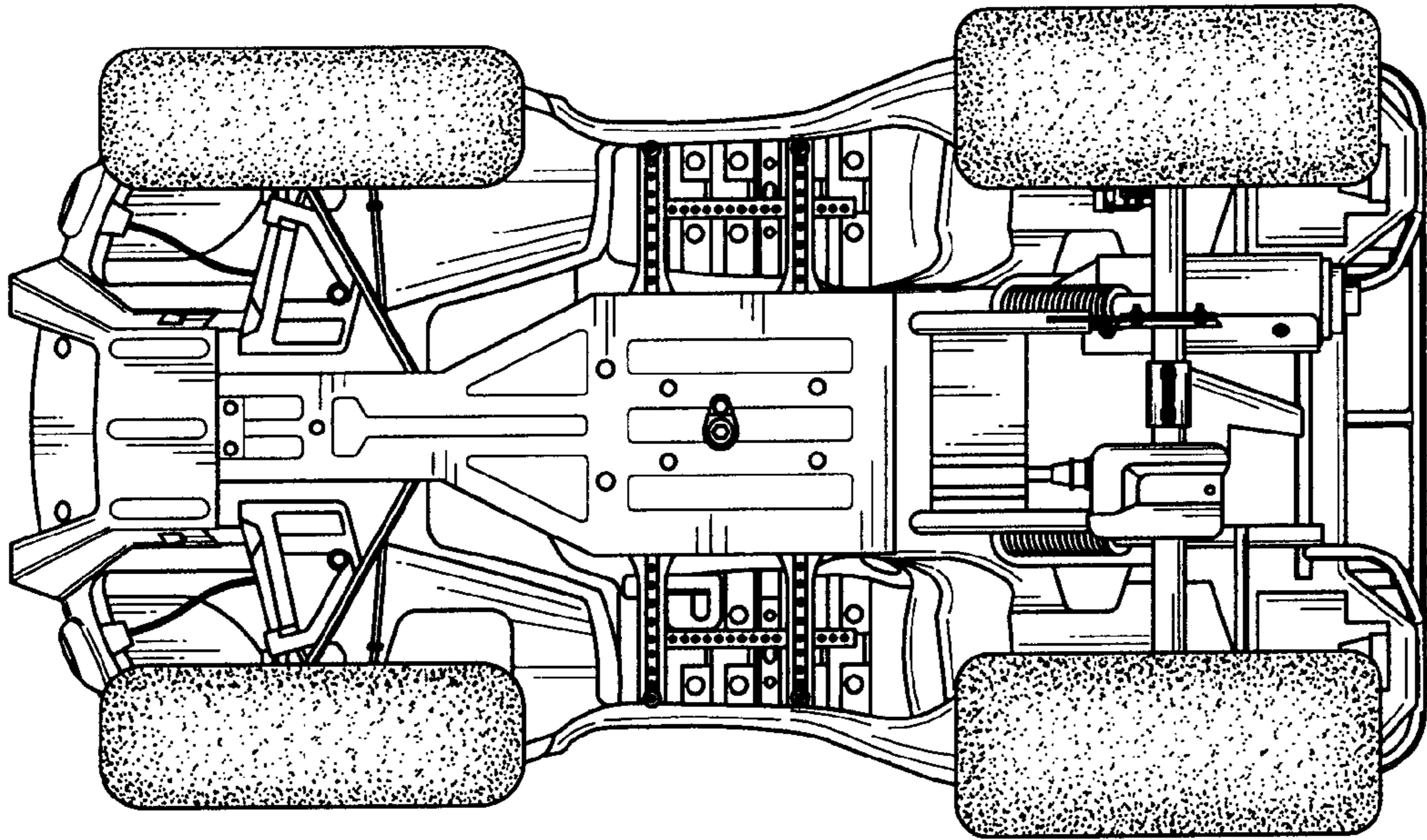


FIG. 6

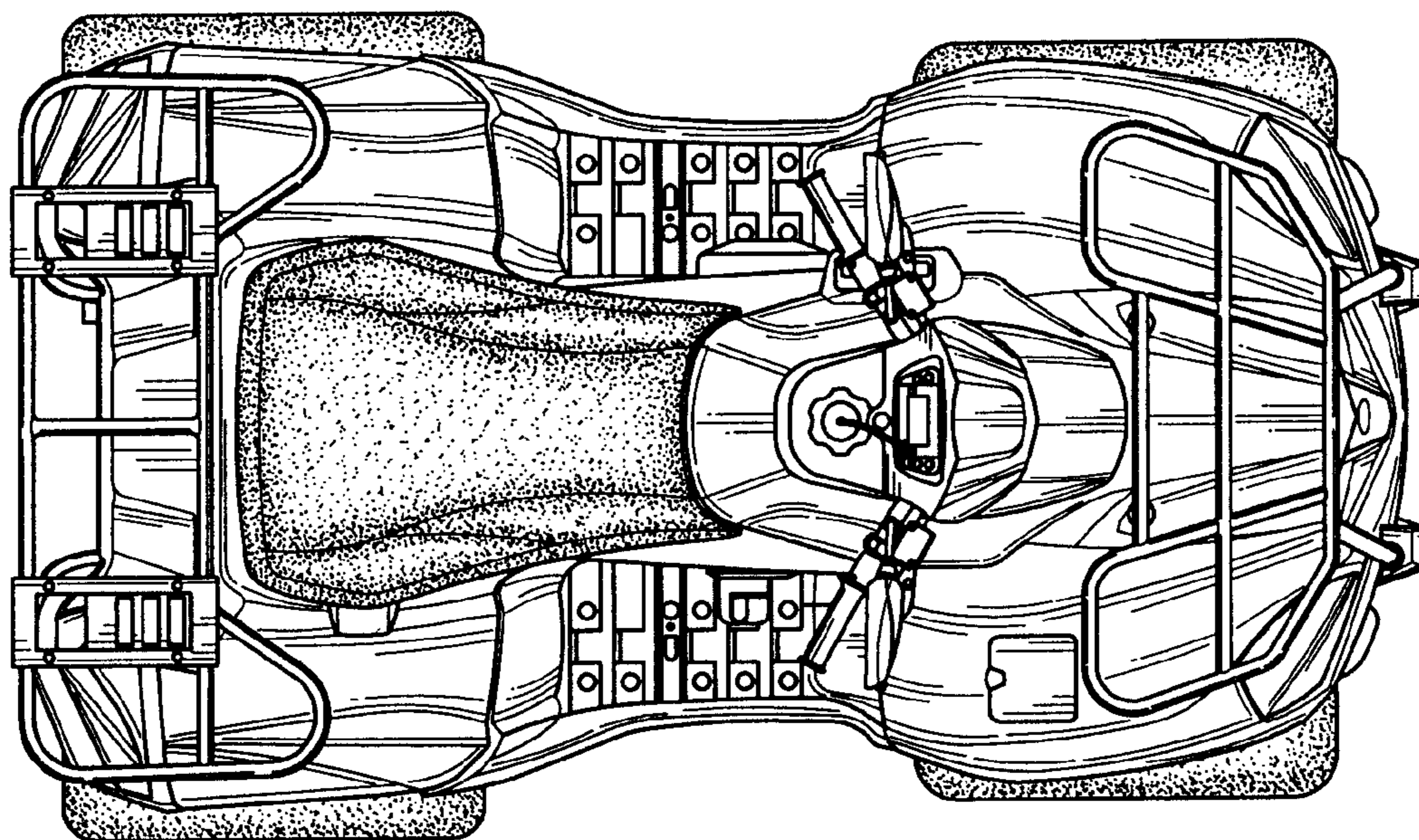


FIG. 7