



US00D529413S

(12) **United States Design Patent**  
**Basset et al.**

(10) **Patent No.:** **US D529,413 S**  
(45) **Date of Patent:** **\*\* Oct. 3, 2006**

(54) **ALL TERRAIN VEHICLE**

D515,978 S \* 2/2006 Luh ..... D12/107  
D517,450 S \* 3/2006 Wu ..... D12/107

(75) Inventors: **Damien B. Basset**, Los Angeles, CA (US); **Hideaki Yamazumi**, Torrance, CA (US); **Asao Itaya**, Torrance, CA (US); **Camas Reed**, Columbus, OH (US); **Anthony Peter Mascadri**, Mechanicsburg, OH (US); **Rodney Frijas**, Columbus, OH (US); **Darin King**, Raymond, OH (US); **Stephen Hlopick**, Marysville, OH (US); **Michael Peterson**, Marysville, OH (US); **Michio Nakamura**, Marysville, OH (US); **Eric Stevens**, Columbus, OH (US); **Yoshihito Tokuda**, Dublin, OH (US)

\* cited by examiner

*Primary Examiner*—Alan P. Douglas  
*Assistant Examiner*—Linda Brooks  
(74) *Attorney, Agent, or Firm*—Dinsmore & Shohl LLP

(73) Assignee: **Honda Motor Company, Ltd.**, Tokyo (JP)

(\*\*) Term: **14 Years**

(21) Appl. No.: **29/226,844**

(22) Filed: **Apr. 1, 2005**

(51) **LOC (8) Cl.** ..... **12-11**

(52) **U.S. Cl.** ..... **D12/107**

(58) **Field of Classification Search** ..... D12/3,  
D12/86, 87, 107, 110; 180/225, 229, 233,  
180/311, 312, 315

See application file for complete search history.

(56) **References Cited**

**U.S. PATENT DOCUMENTS**

D512,001 S \* 11/2005 Kato et al. .... D12/107

(57) **CLAIM**

The ornamental design for an all terrain vehicle, as shown and described.

**DESCRIPTION**

FIG. 1 is a left front perspective view of an all terrain vehicle;

FIG. 2 is a left rear perspective view of the all terrain vehicle of FIG. 1;

FIG. 3 is a front perspective view of the all terrain vehicle of FIG. 1;

FIG. 4 is a rear perspective view of the all terrain vehicle of FIG. 1;

FIG. 5 is a left side perspective view of the all terrain vehicle of FIG. 1;

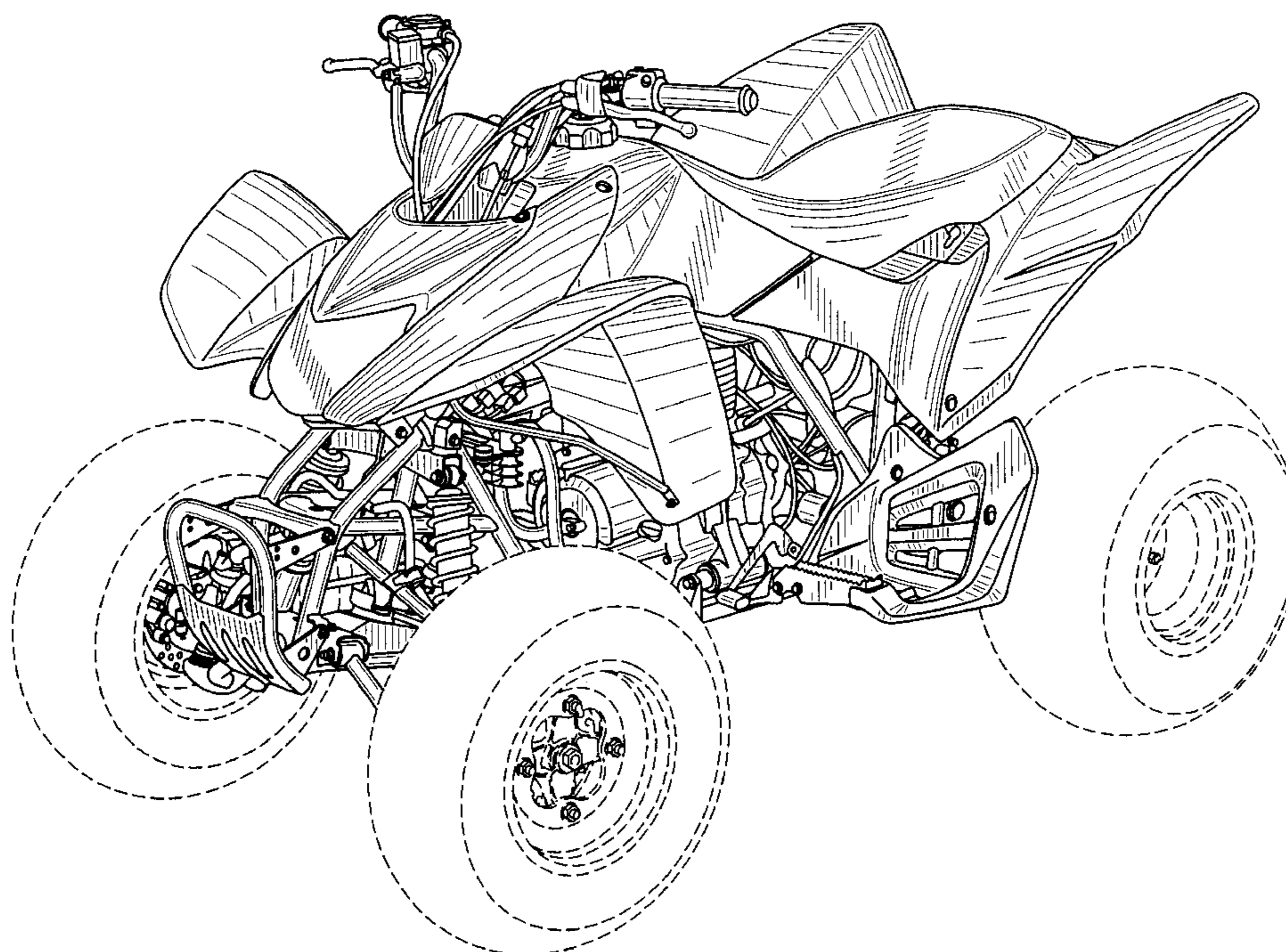
FIG. 6 is a right side perspective view of the all terrain vehicle of FIG. 1;

FIG. 7 is a top perspective view of the all terrain vehicle of FIG. 1; and,

FIG. 8 is a bottom perspective view of the all terrain vehicle of FIG. 1.

The phantom lines and areas shown in the figures are for illustrative purposes only and form no part of the claimed design.

**1 Claim, 8 Drawing Sheets**



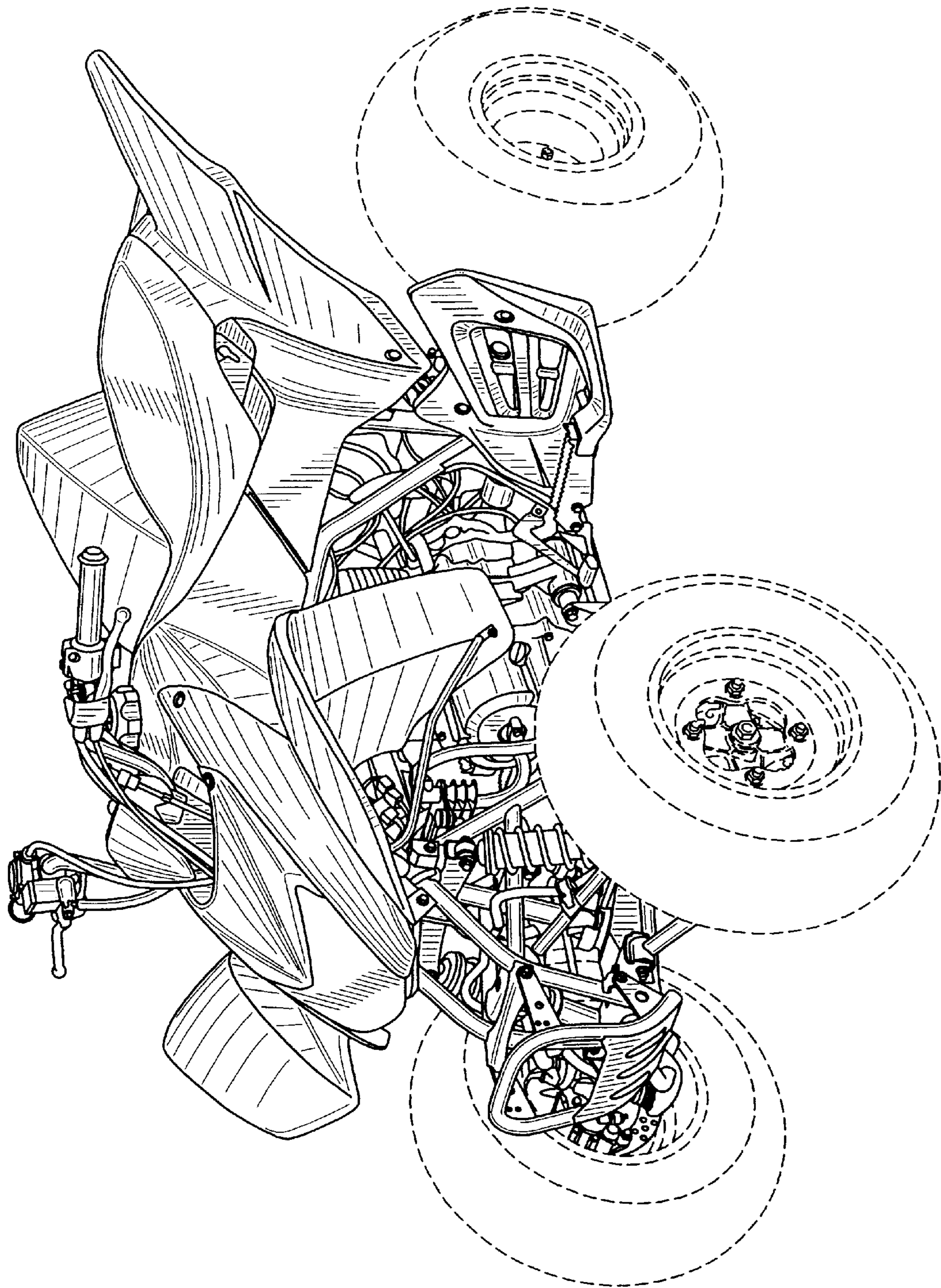


FIG. 1

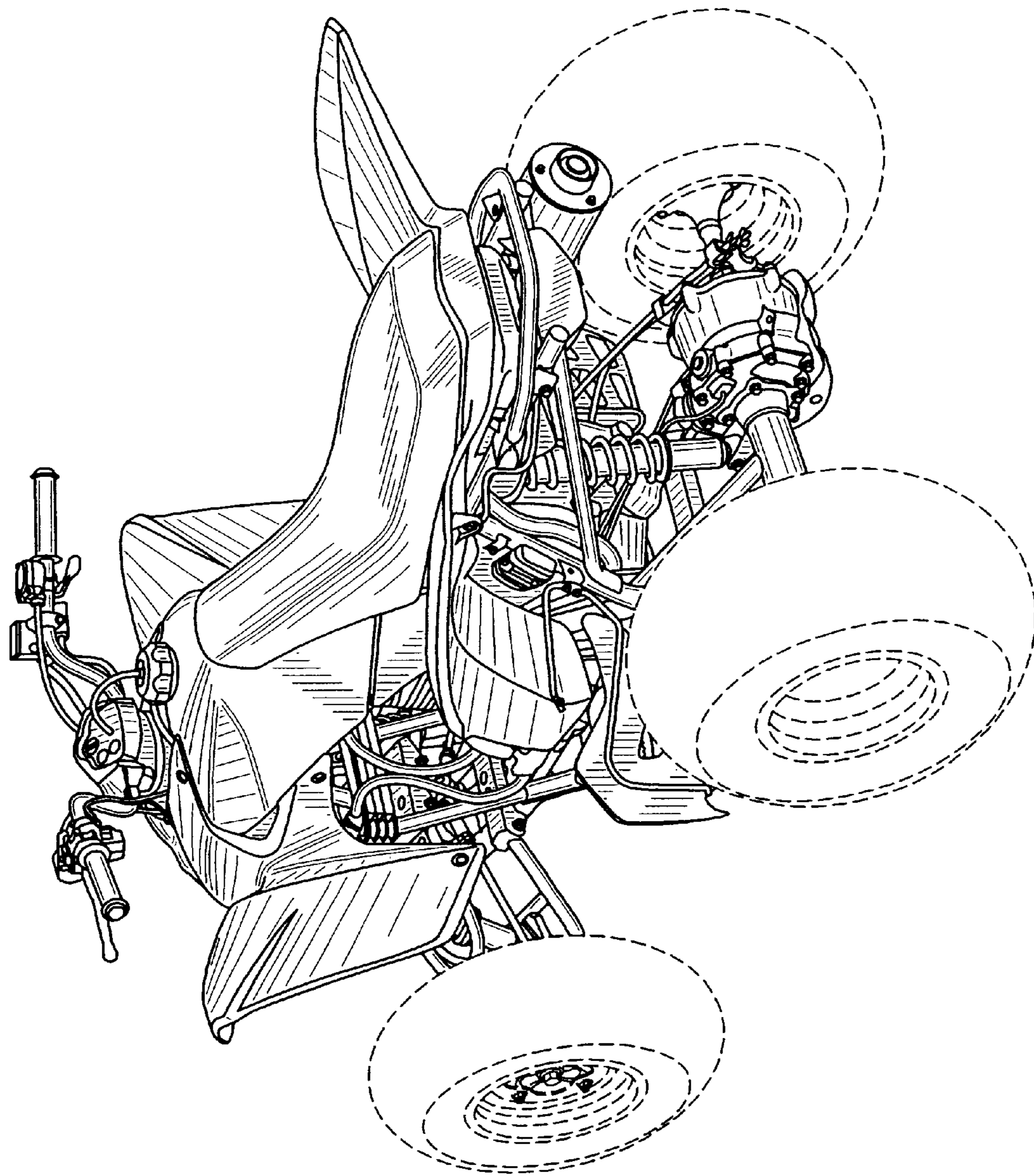


FIG. 2

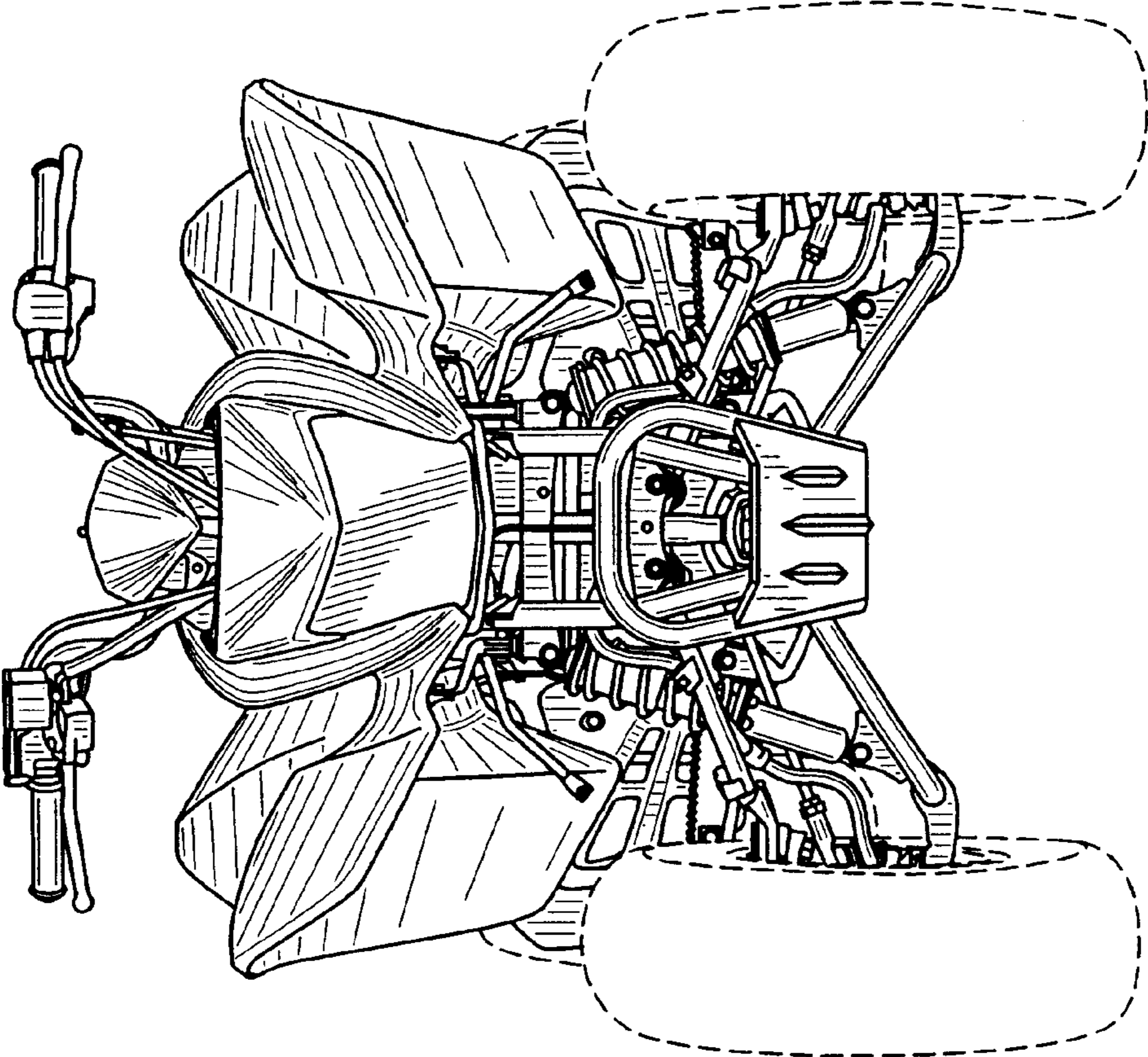


FIG. 3

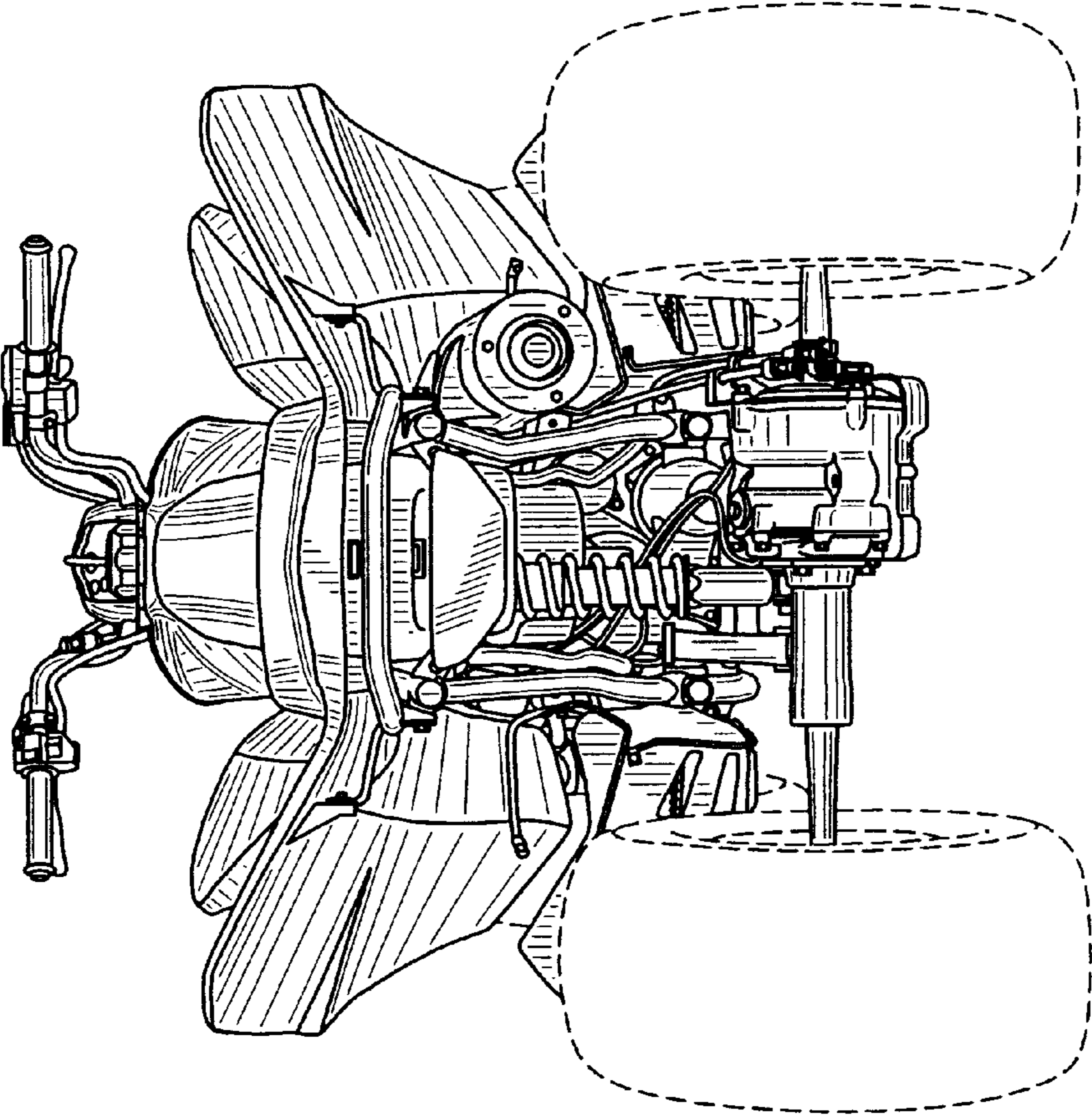


FIG. 4

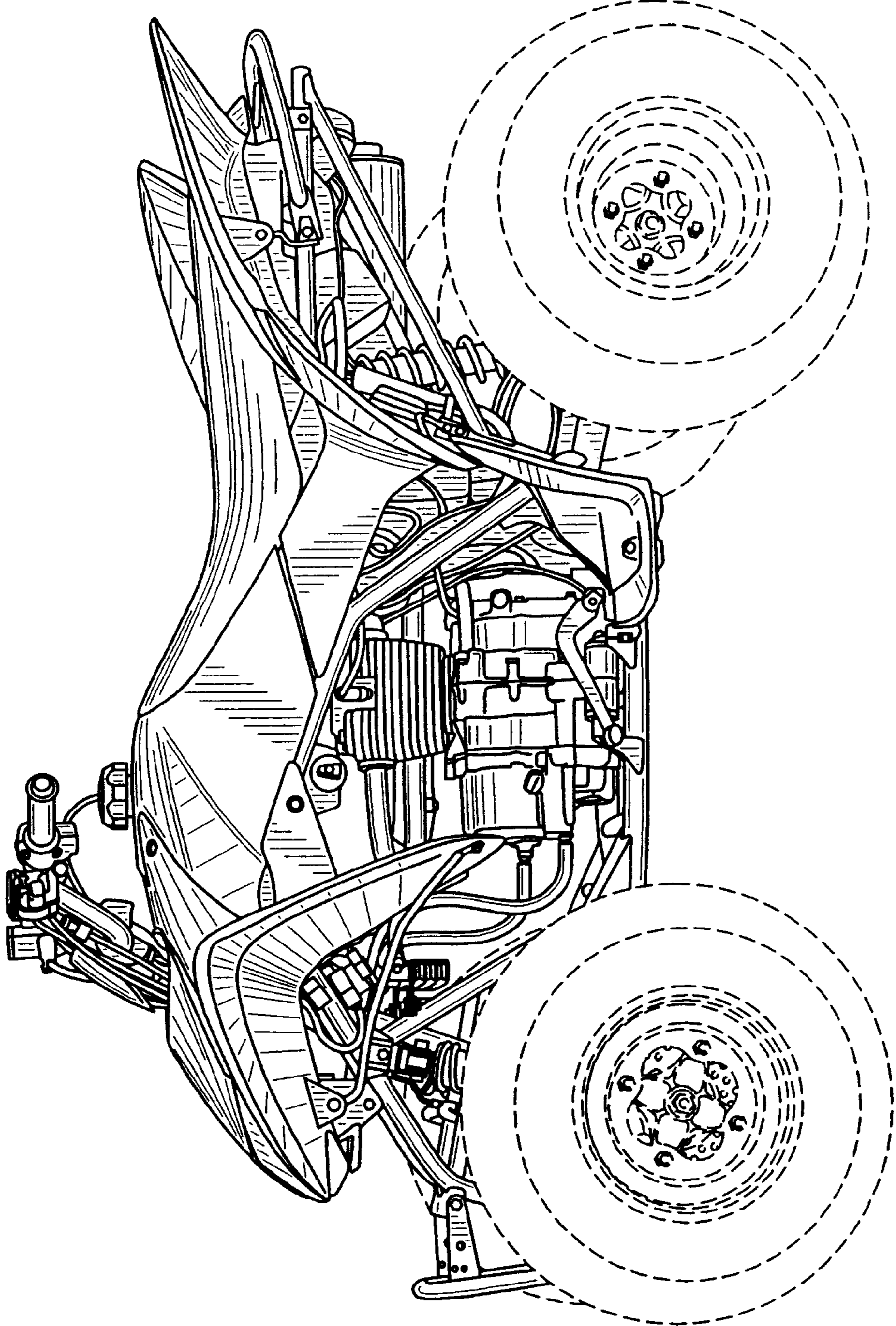


FIG. 5

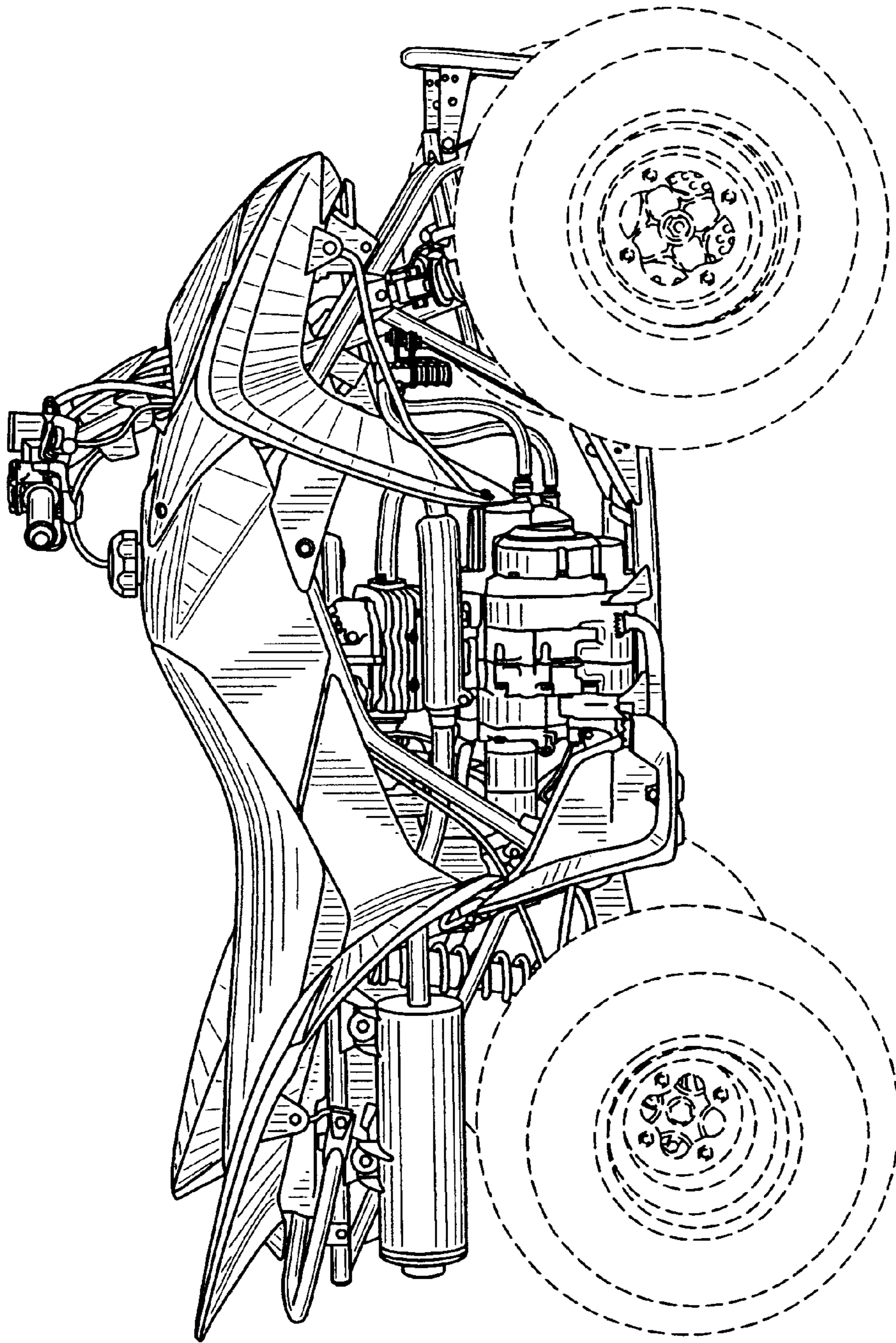


FIG. 6

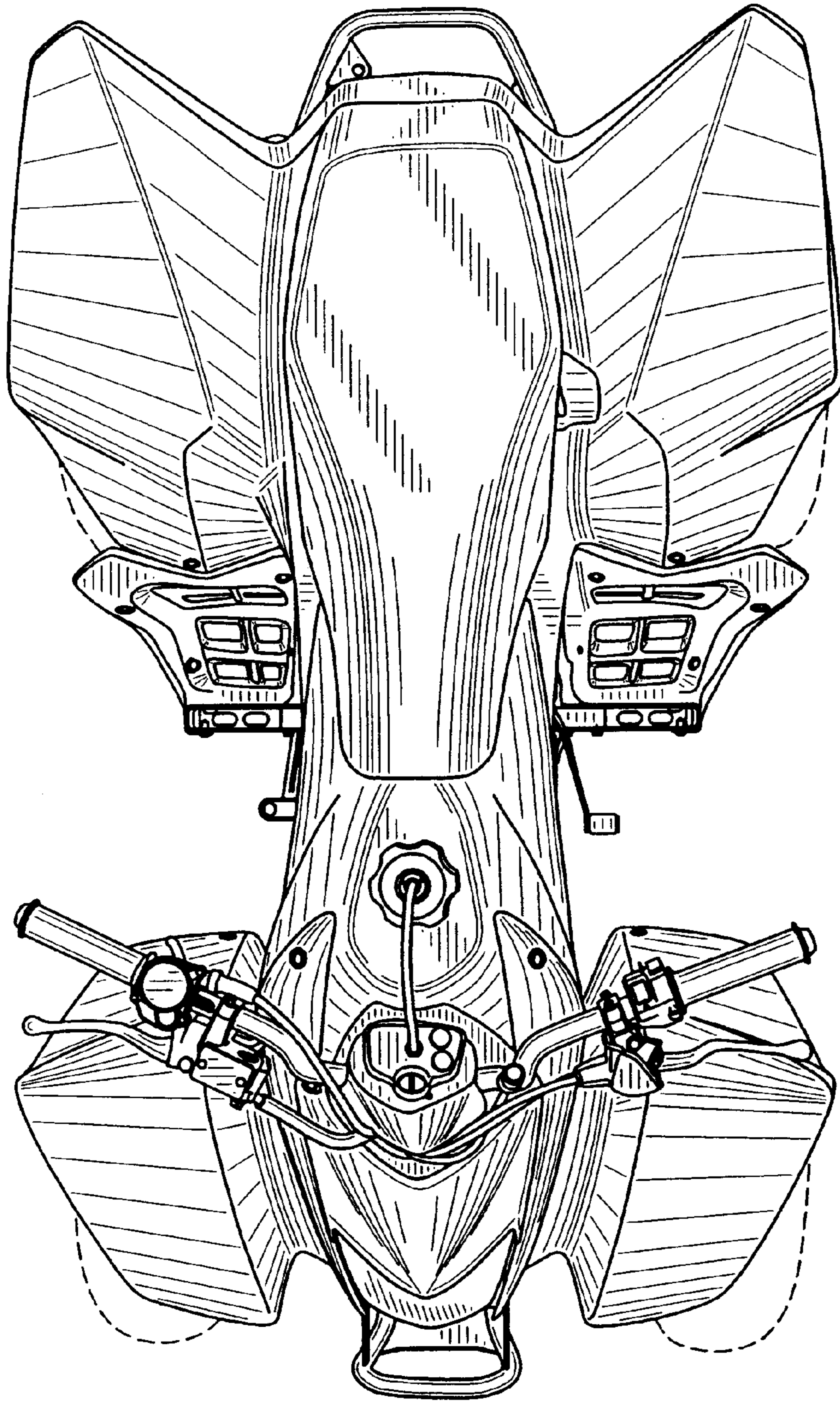


FIG. 7



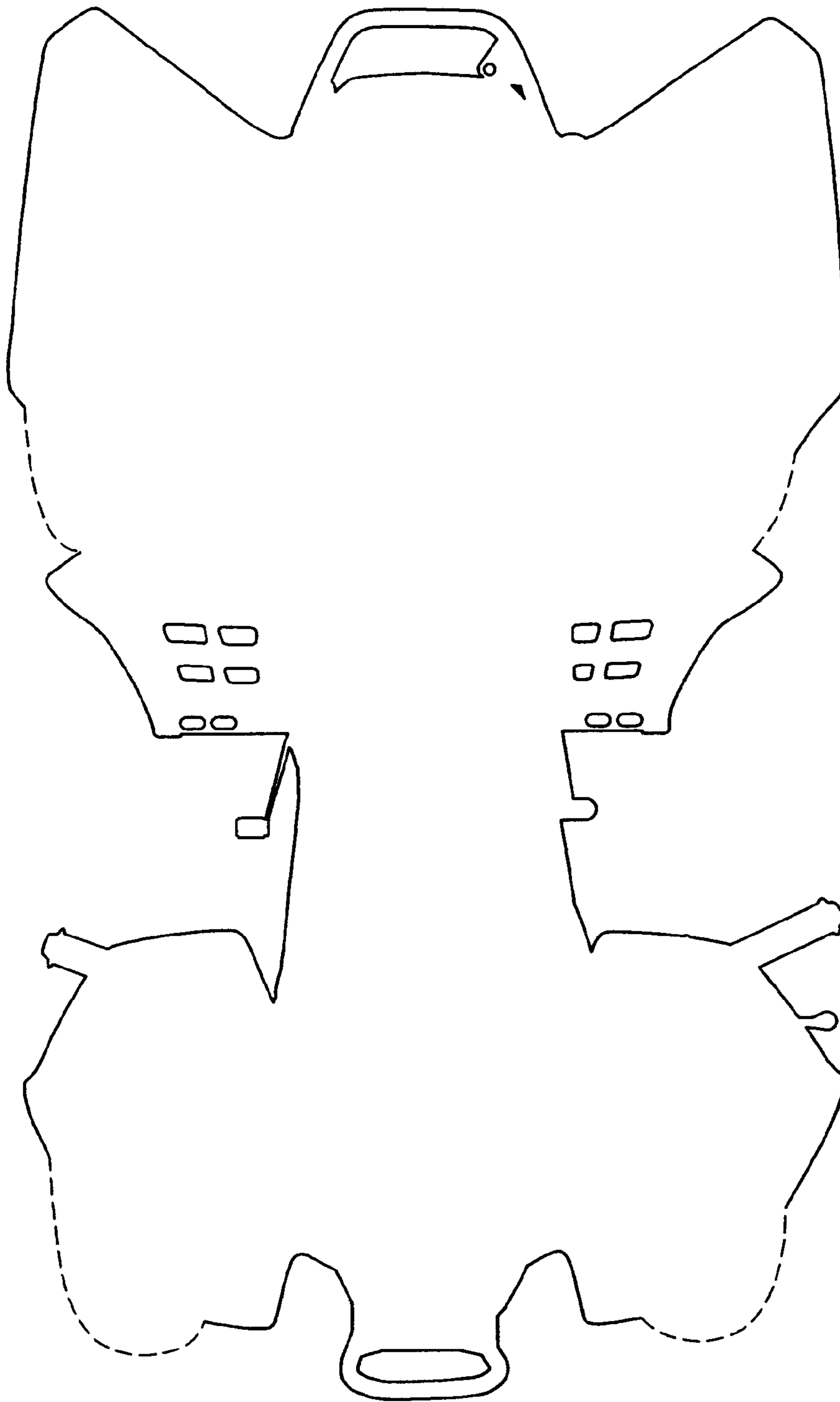


FIG. 8