

US00D529406S

(12) **United States Design Patent**  
**Usami**

(10) **Patent No.:** **US D529,406 S**  
(45) **Date of Patent:** **\*\* Oct. 3, 2006**

(54) **TAPE MEASURE**

D507,196 S \* 7/2005 Chen ..... D10/72

(75) Inventor: **Tsutomu Usami**, Moriyama (JP)

\* cited by examiner

(73) Assignee: **KDS Corporation**, Kyoto (JP)

*Primary Examiner*—Antoine D. Davis

(\*\*) Term: **14 Years**

(74) *Attorney, Agent, or Firm*—Birch, Stewart, Kolasch & Birch, LLP

(21) Appl. No.: **29/253,459**

(57) **CLAIM**

(22) Filed: **Feb. 8, 2006**

The ornamental design for a tape measure, as shown and described.

(30) **Foreign Application Priority Data**

**DESCRIPTION**

Aug. 9, 2005 (JP) ..... 2005-023123

(51) **LOC (8) Cl.** ..... **10-04**

(52) **U.S. Cl.** ..... **D10/72**

(58) **Field of Classification Search** ..... D10/72;  
33/755-770

See application file for complete search history.

FIG. 1 is a perspective view from the front right side view of a tape measure showing my new design; FIG. 2 is a perspective view from the rear right side view thereof; FIG. 3 is a front view thereof; FIG. 4 is a rear view thereof; FIG. 5 is a right side view thereof; FIG. 6. is a left side view thereof; FIG. 7 is a top plan view thereof; and, FIG. 8 is a bottom plan view thereof.

The broken line showing is for illustrative purposes only and forms no part of the claimed design.

(56) **References Cited**

**U.S. PATENT DOCUMENTS**

- D458,163 S \* 6/2002 Kang ..... D10/72
- D459,252 S \* 6/2002 Radivojevic et al. .... D10/72
- D503,351 S \* 3/2005 Chen ..... D10/72
- D507,195 S \* 7/2005 Kondo et al. .... D10/72

**1 Claim, 4 Drawing Sheets**

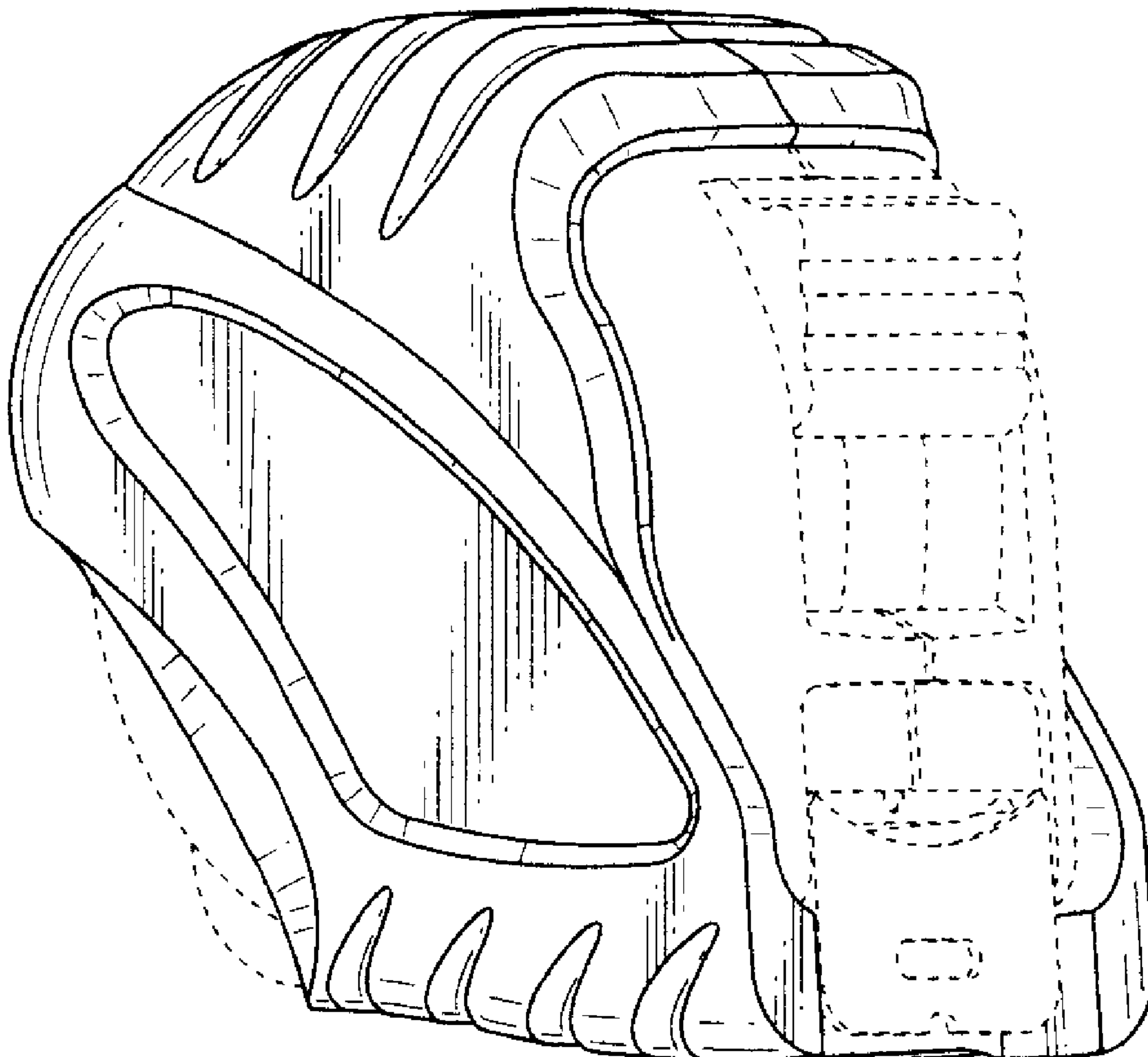


Fig. 1

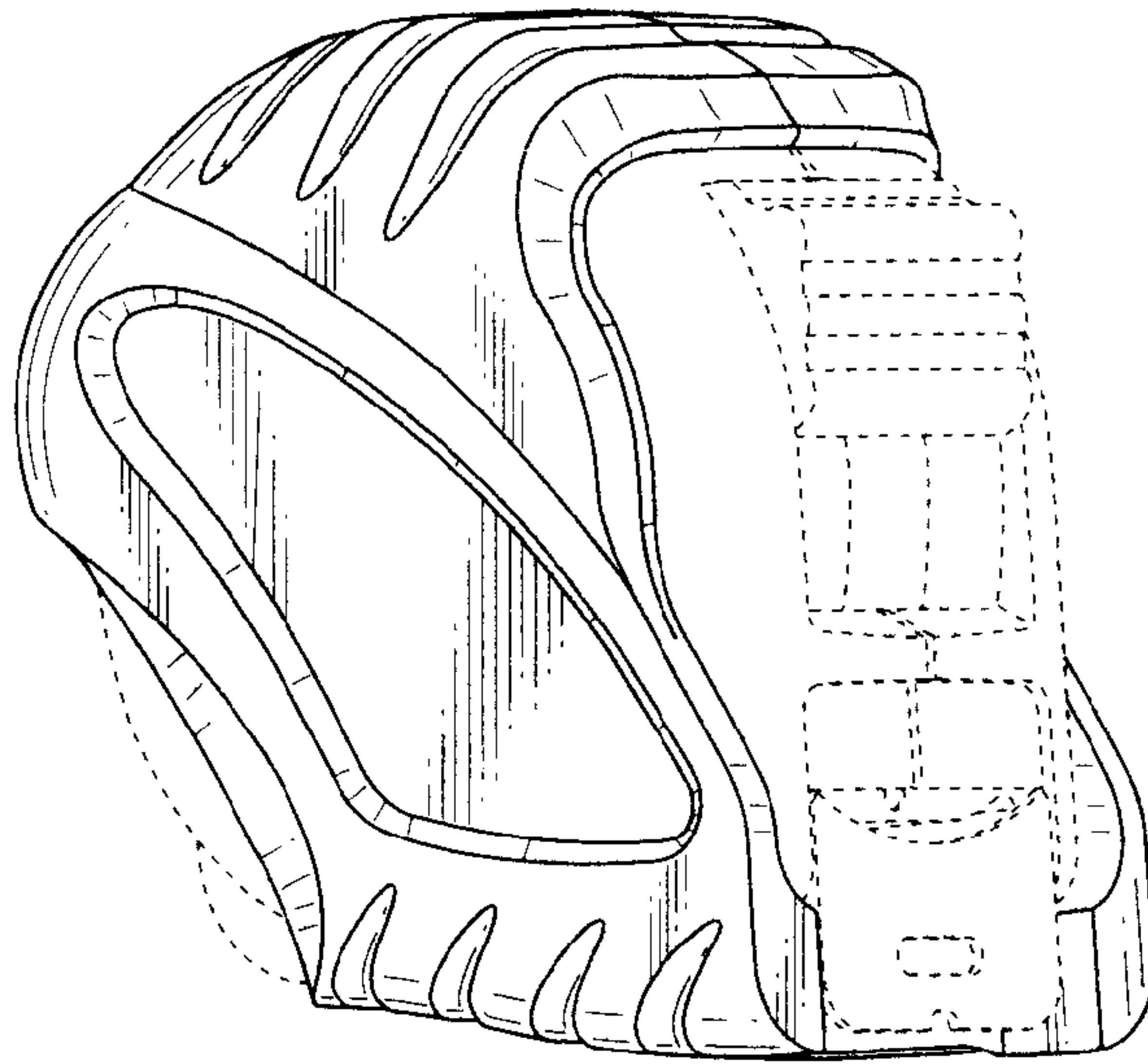


Fig. 2

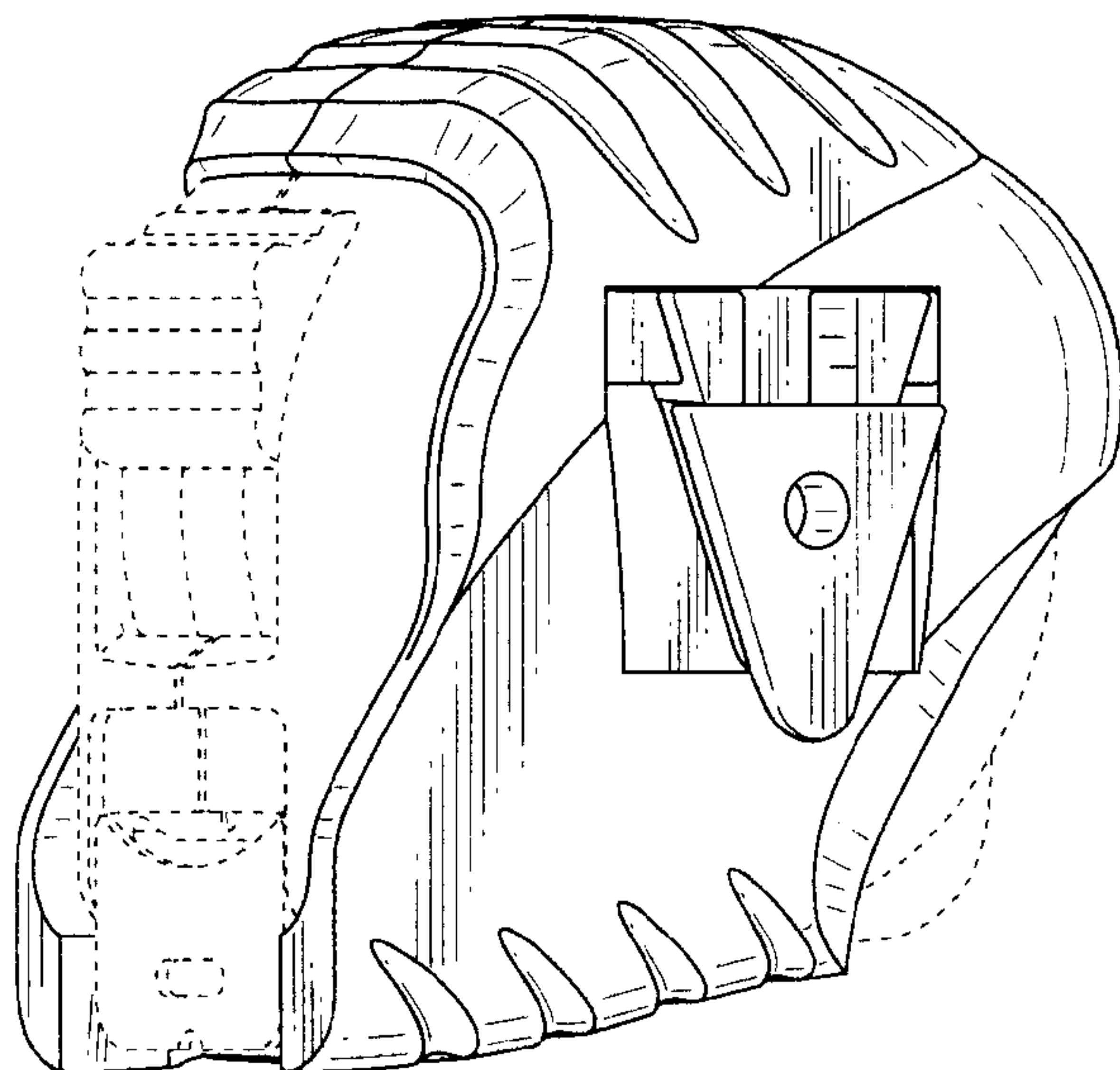


Fig. 3

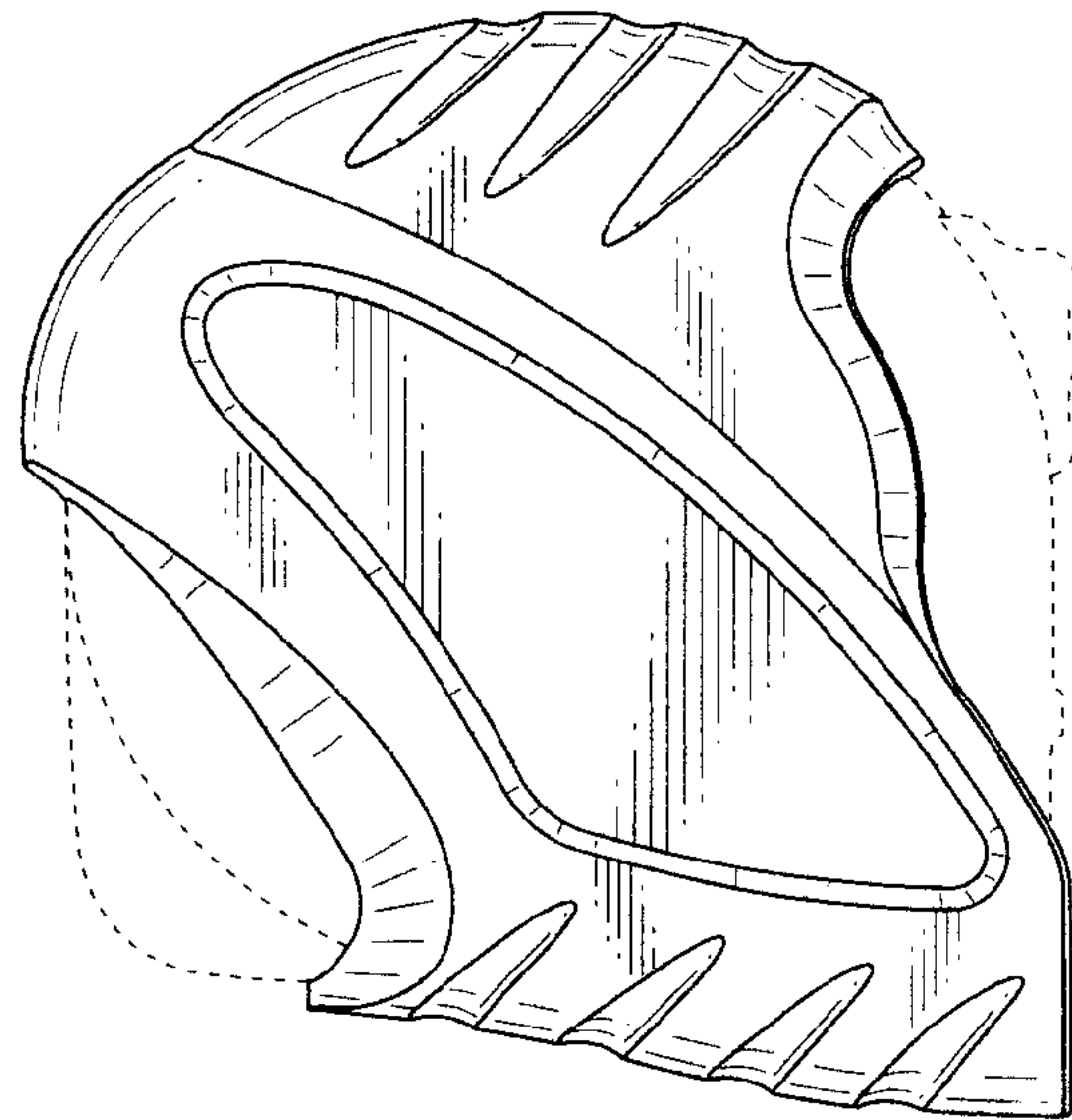


Fig. 4

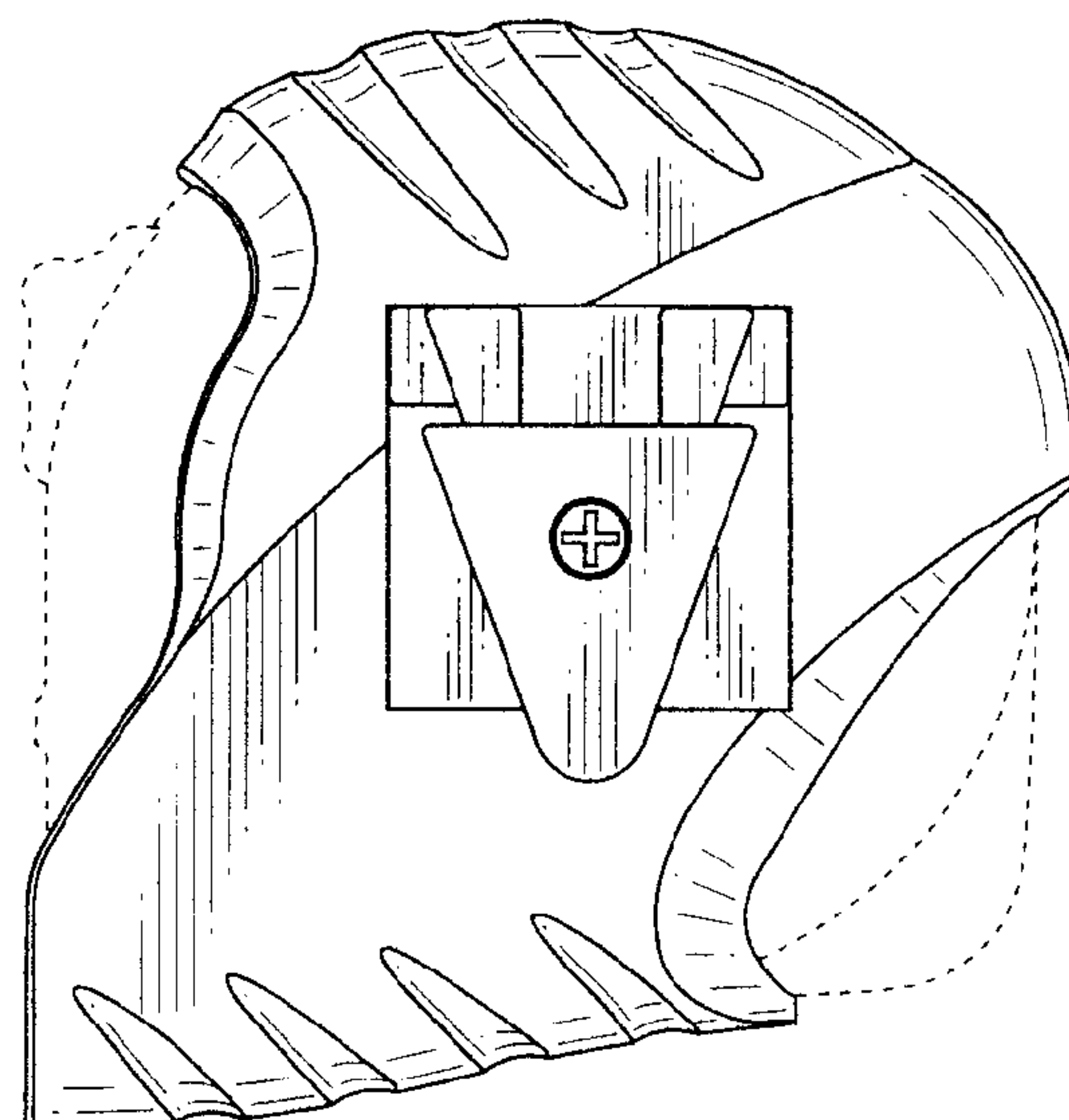


Fig. 5

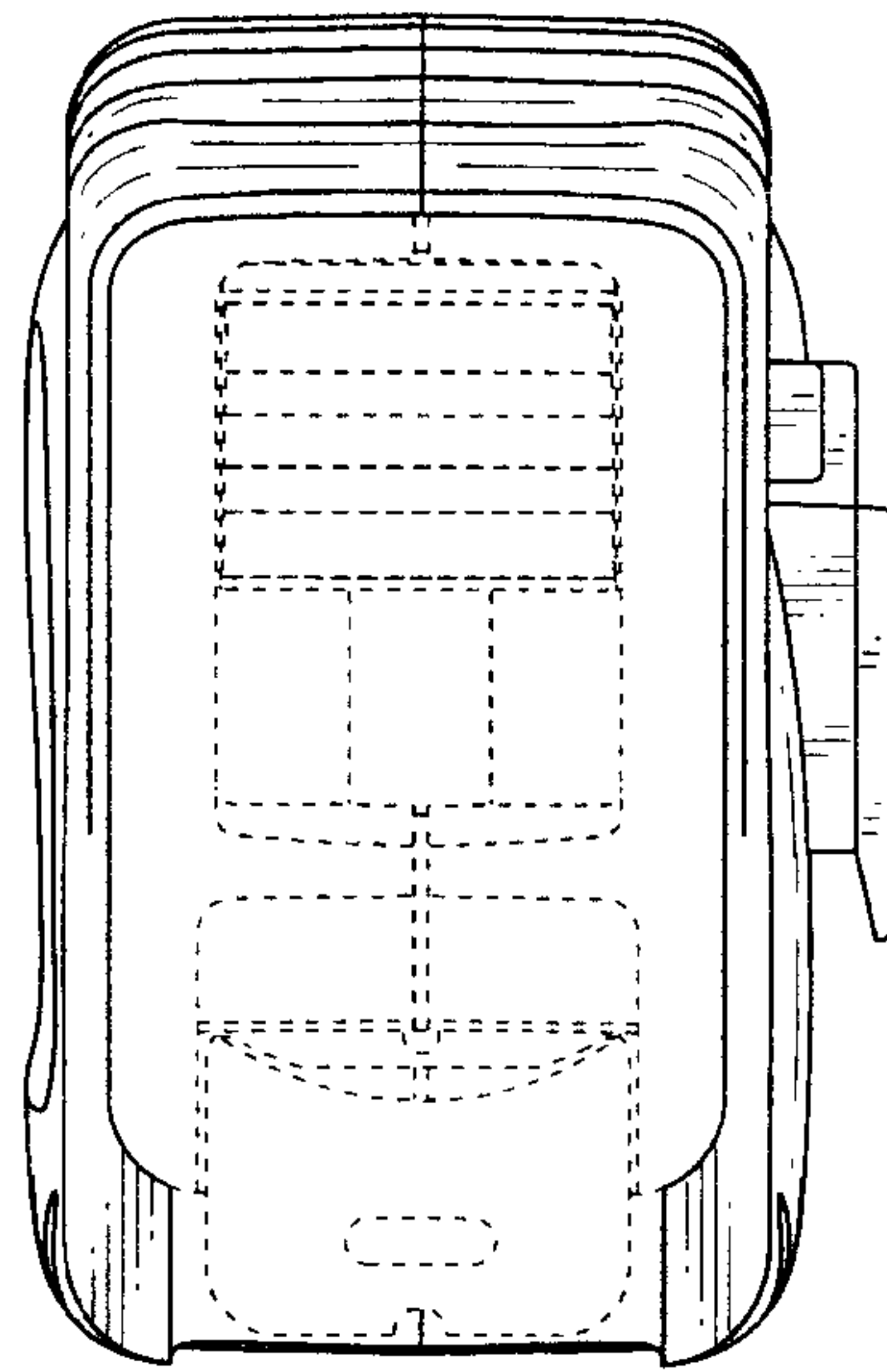


Fig. 6

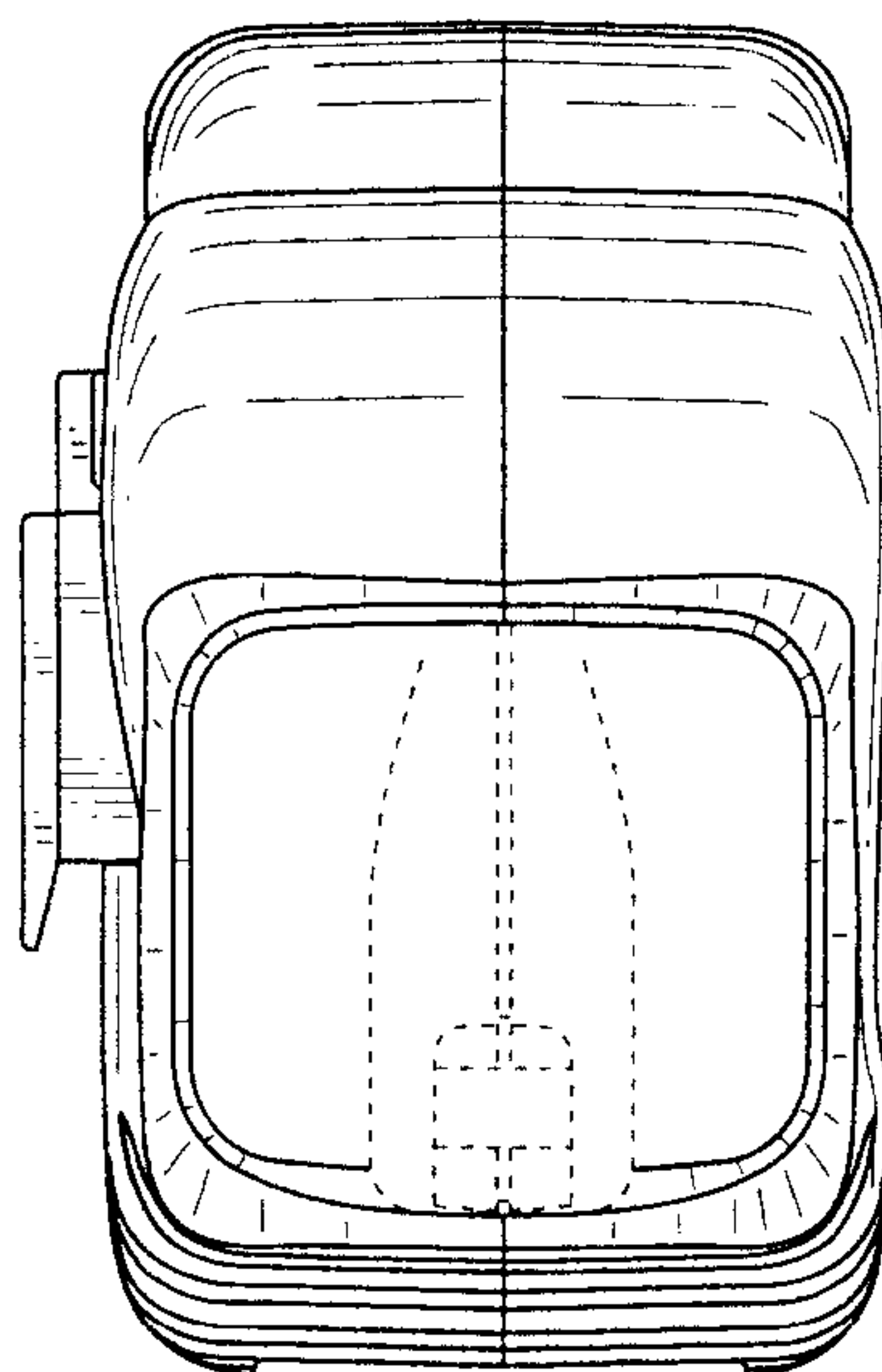


Fig. 7

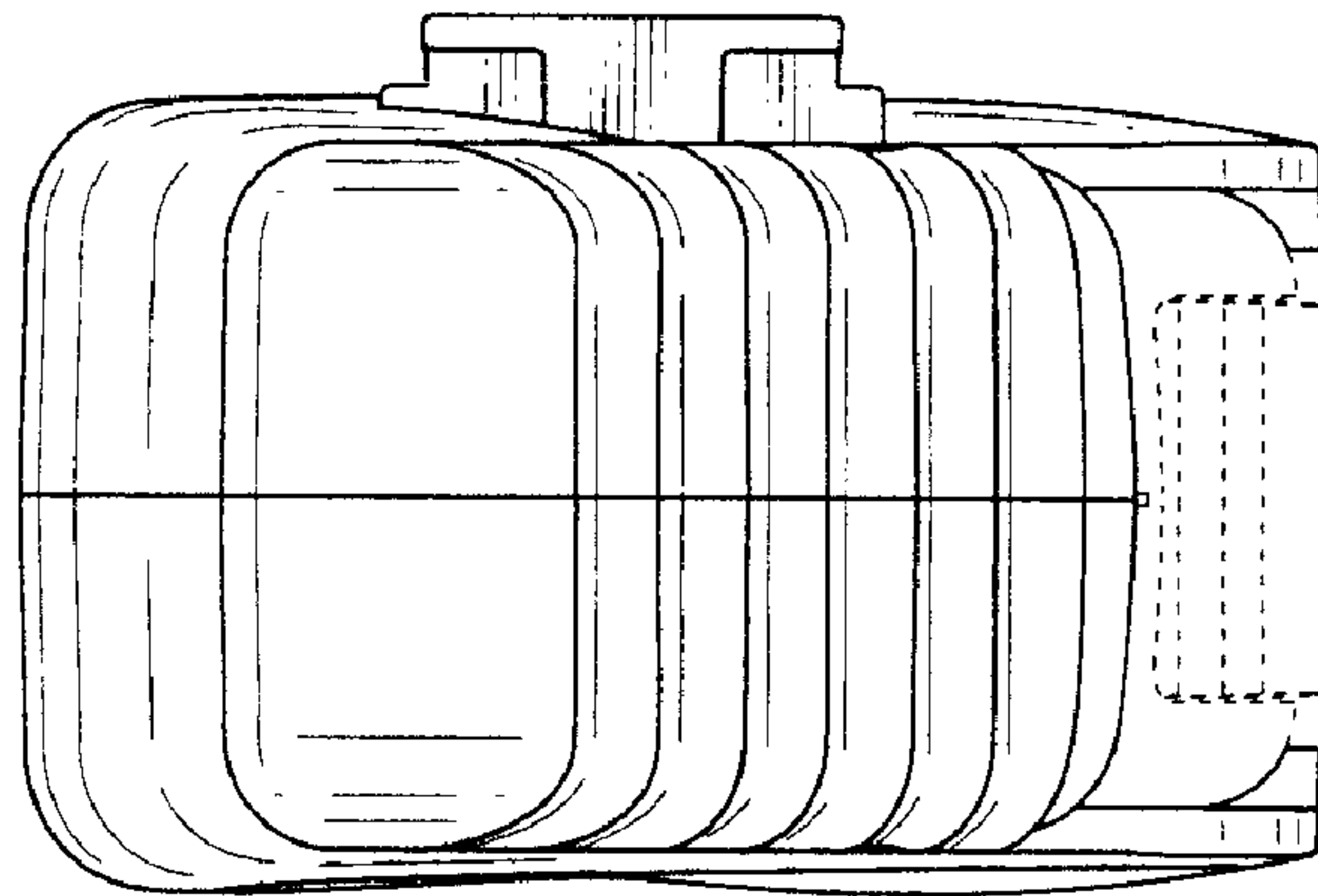


Fig. 8

