



US00D529405S

(12) **United States Design Patent**
Berkstresser et al.

(10) **Patent No.:** **US D529,405 S**

(45) **Date of Patent:** **** Oct. 3, 2006**

(54) **B SIDE TAPE**

(76) Inventors: **David W. Berkstresser**, 114 Highland Ave., Old Forge, NY (US) 13420;
Jeanette Berkstresser, 114 Highland Ave., Old Forge, NY (US) 13420

(**) Term: **14 Years**

(21) Appl. No.: **29/234,775**

(22) Filed: **Jul. 22, 2005**

(51) **LOC (8) Cl.** **10-04**

(52) **U.S. Cl.** **D10/72**

(58) **Field of Classification Search** D10/72;
33/775-771; 242/292, 381.1, 381.2, 381.3,
242/381.4, 381.5, 381.6

See application file for complete search history.

(56) **References Cited**

U.S. PATENT DOCUMENTS

D216,537 S * 2/1970 Zelnick et al. D10/72
4,580,347 A 4/1986 McKnight

4,786,010 A 11/1988 Dynan
5,379,524 A 1/1995 Dawson
D379,156 S * 5/1997 Hochstetler et al. D10/72
D432,034 S * 10/2000 Heimerle D10/72
D471,474 S * 3/2003 Hendershott D10/72
6,880,260 B1 * 4/2005 Baida 33/760

* cited by examiner

Primary Examiner—Antoine D. Davis

Assistant Examiner—Patricia Palasik

(74) *Attorney, Agent, or Firm*—Raymond M. Galasso;
Galasso & Associates, LP

(57) **CLAIM**

The ornamental design for a B side tape, as shown.

DESCRIPTION

FIG. 1 is a perspective view depicting an embodiment of the B side tape, as disclosed herein; and, FIG. 2 is a bottom view depicting an embodiment of the B side tape depicted in FIG. 1.

1 Claim, 2 Drawing Sheets

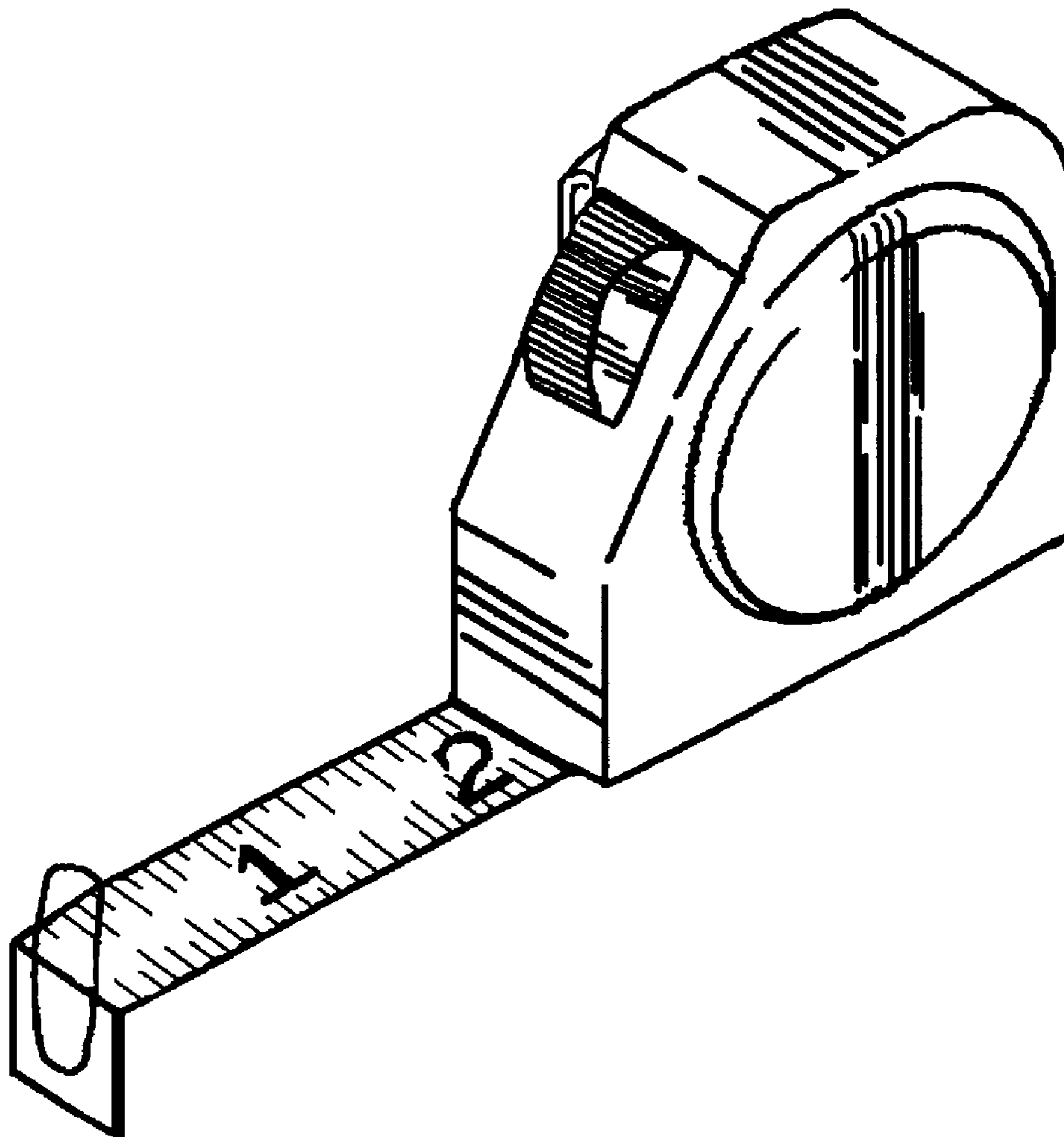
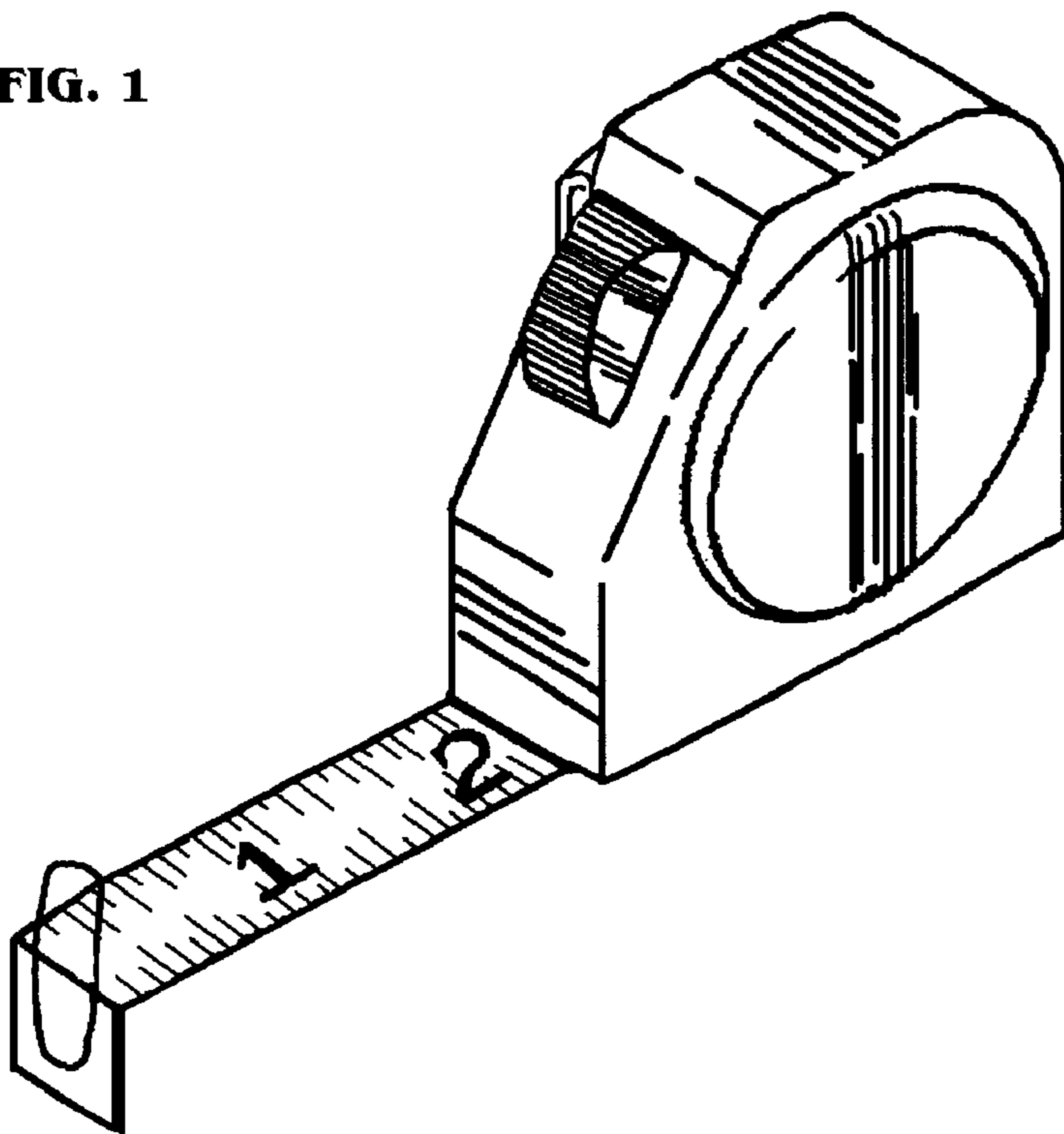


FIG. 1



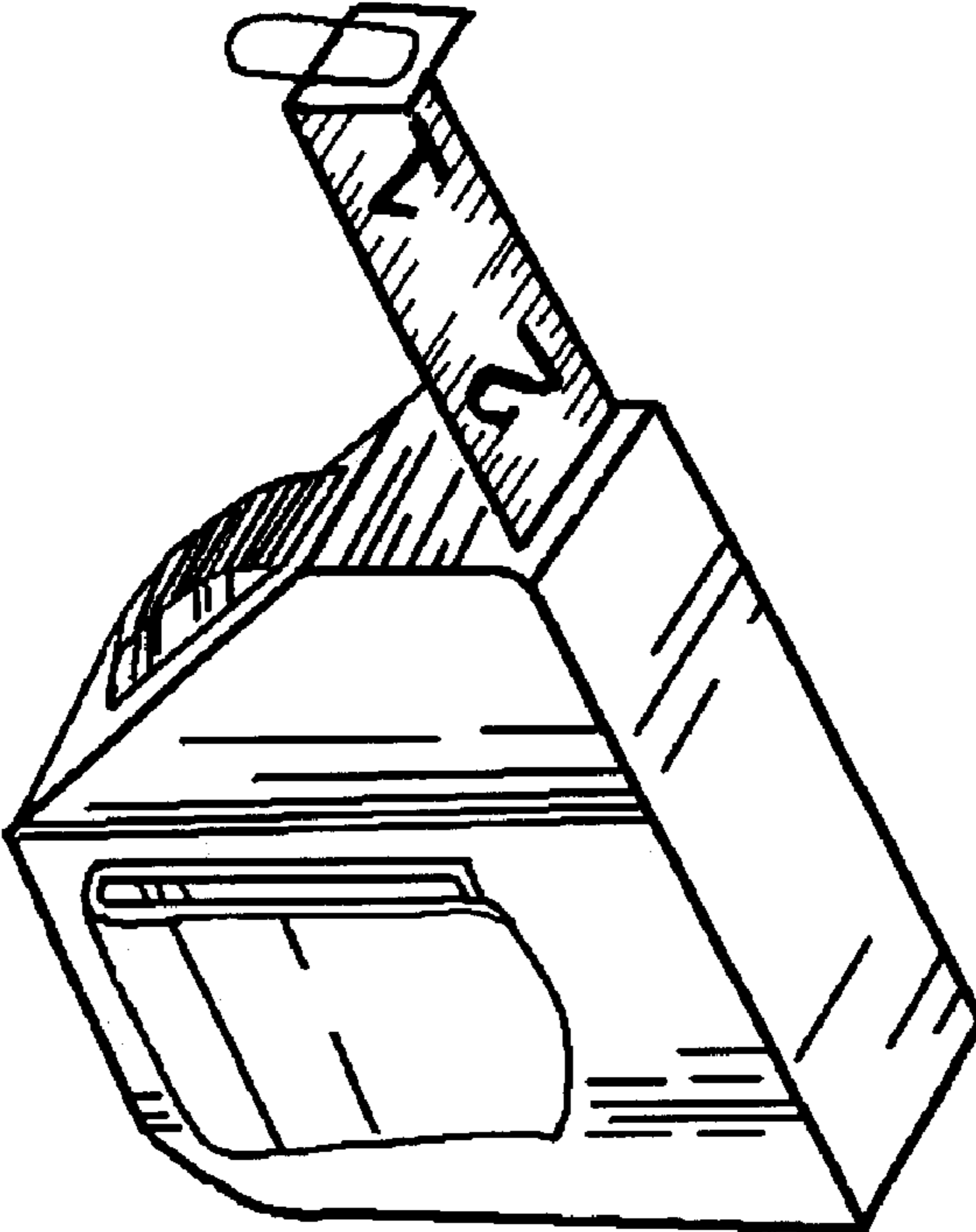


FIG. 2