



US00D529404S

(12) **United States Design Patent**
Eden et al.

(10) **Patent No.:** **US D529,404 S**
(45) **Date of Patent:** **** Oct. 3, 2006**

(54) **PEDOMETER AND CLIP**

(75) Inventors: **Erica Eden**, New York, NY (US); **Sing Pong Chui**, Brooklyn, NY (US); **Tim Kennedy**, Staten Island, NY (US); **Hiroshi Ogawa**, Arlington Heights, IL (US); **Tadashi Koike**, Kyoto (JP)

(73) Assignee: **Omron Healthcare Company, LTD**, Kyoto (JP)

(**) Term: **14 Years**

(21) Appl. No.: **29/240,460**

(22) Filed: **Oct. 14, 2005**

(51) **LOC (8) Cl.** **10-04**

(52) **U.S. Cl.** **D10/70**

(58) **Field of Classification Search** D10/70,
D10/97, 98; 235/95 C, 105; 377/5, 24.2,
377/26; 702/144, 160, 176

See application file for complete search history.

(56) **References Cited**

U.S. PATENT DOCUMENTS

6,836,524 B1 * 12/2004 Lee 377/24.2

* cited by examiner

Primary Examiner—Antoine D. Davis

(74) *Attorney, Agent, or Firm*—Morrison & Foerster LLP

(57) **CLAIM**

We claim the ornamental design for a pedometer and clip, as shown and described.

DESCRIPTION

FIG. 1 is a front, top, perspective view of the first embodiment of a pedometer and clip of the design according to this invention;

FIG. 2 is rear, top, perspective view thereof;

FIG. 3 is a front elevational view thereof;

FIG. 4 is a rear elevational view thereof;

FIG. 5 is a top plan view thereof;

FIG. 6 is a bottom plan view thereof;

FIG. 7 is a right side elevational view thereof

FIG. 8 is a left side elevational view thereof;

FIG. 9 is a front, top, perspective view showing a condition in which the body is opened thereof;

FIG. 10 is a rear, top, perspective view showing a condition in which the body is opened thereof;

FIG. 11 is a front elevational view showing a condition in which the body is opened thereof;

FIG. 12 is a rear elevational view showing a condition in which the body is opened thereof;

FIG. 13 is a top plan view showing a condition in which the body is opened thereof;

FIG. 14 is a bottom plan view showing a condition in which the body is opened thereof;

FIG. 15 is a right side elevational view showing a condition in which the body is opened thereof; and,

FIG. 16 is a left side elevational view showing a condition in which the body is opened thereof.

The broken lines are shown in the views for illustrative purpose only, and form no part of the claimed design.

1 Claim, 11 Drawing Sheets

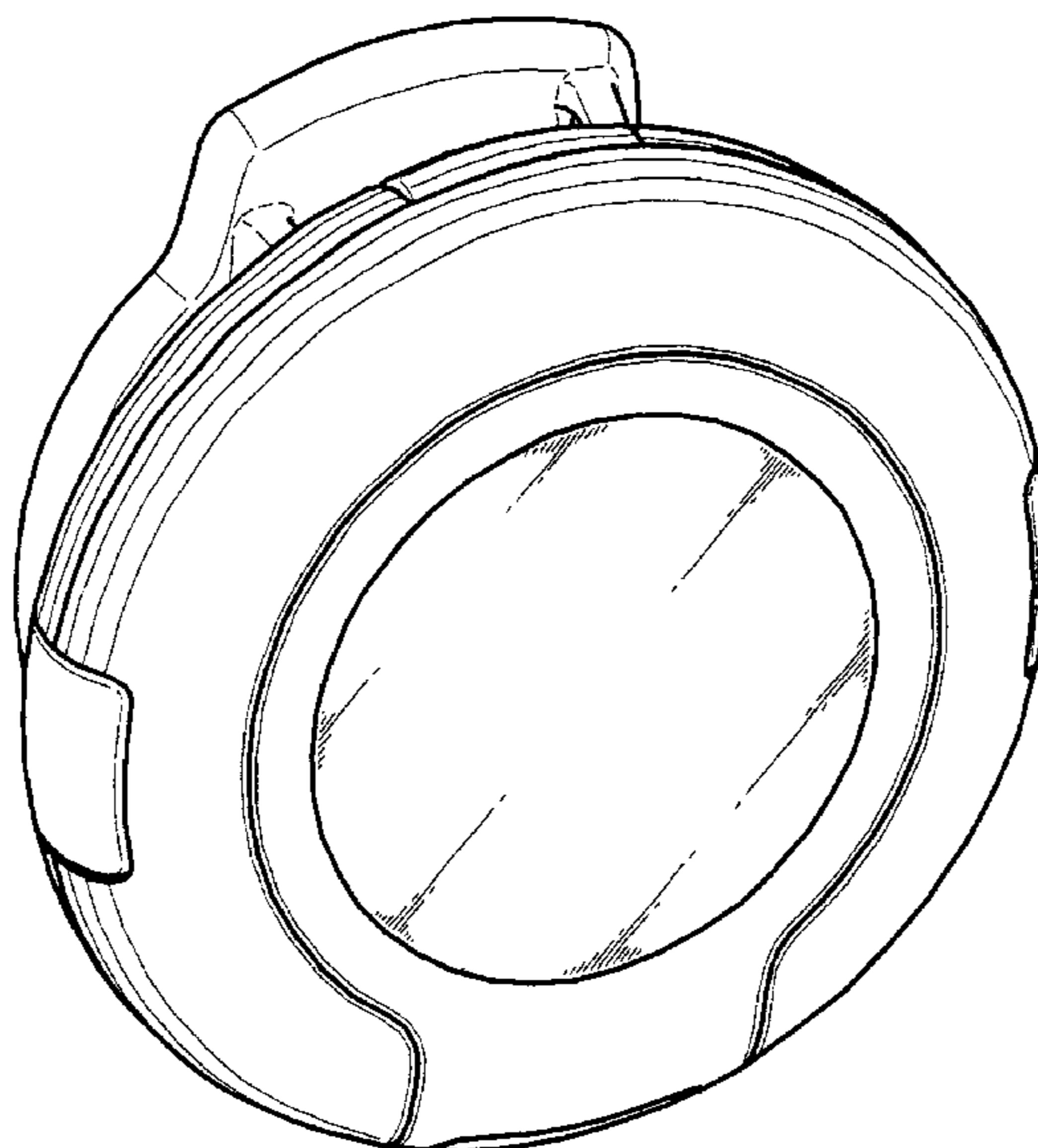


Fig. 1

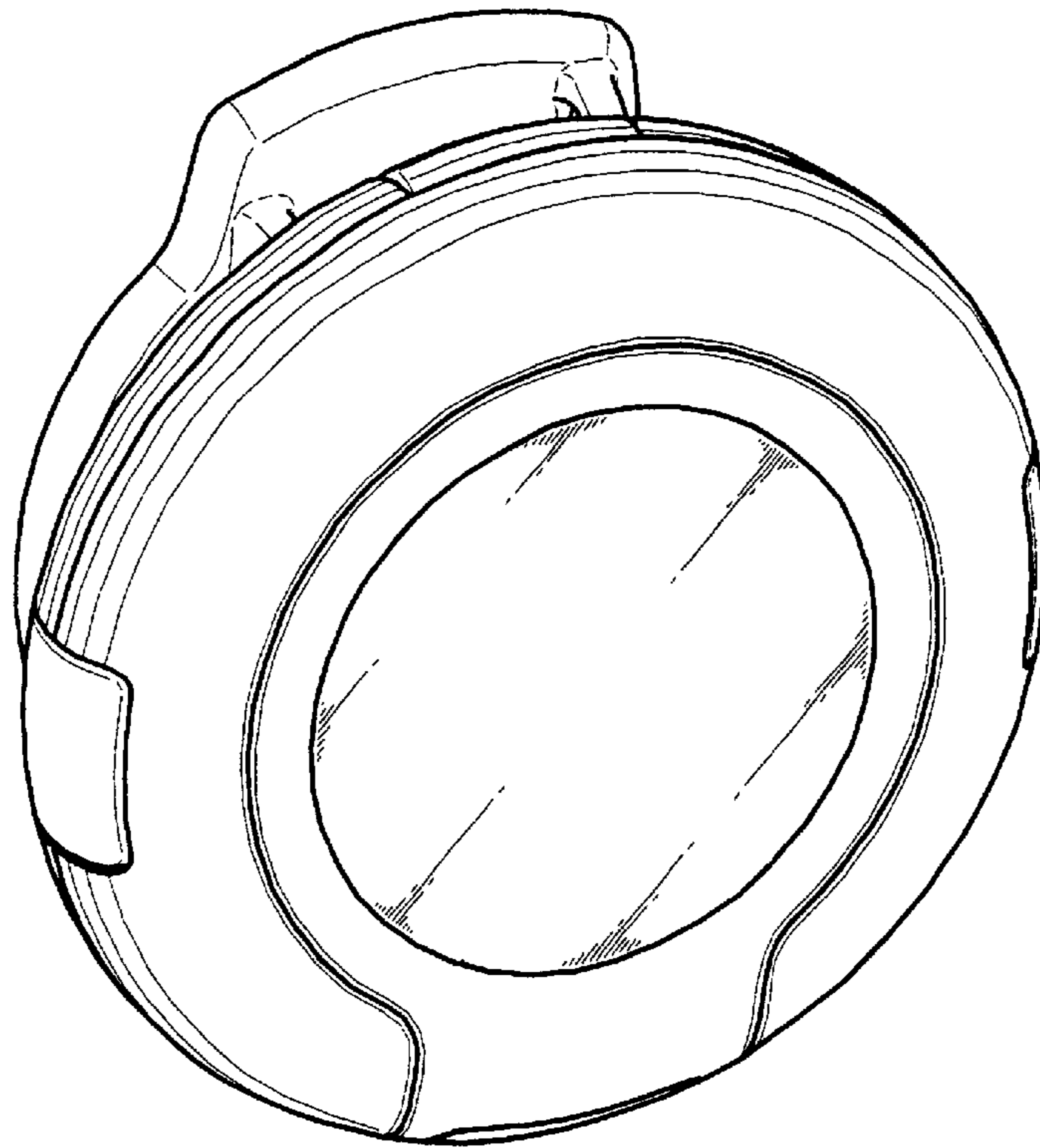


Fig. 2

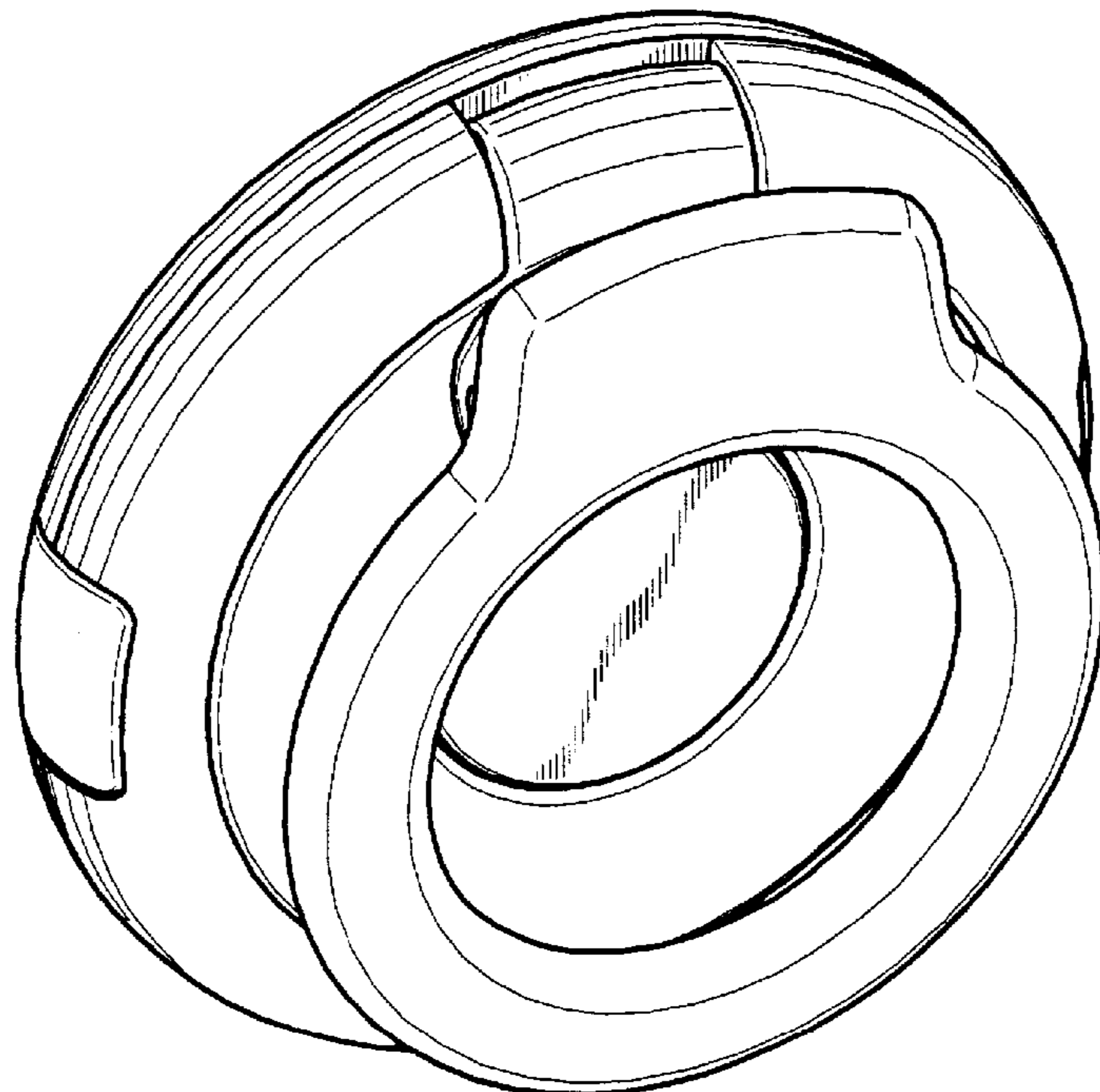


Fig. 3

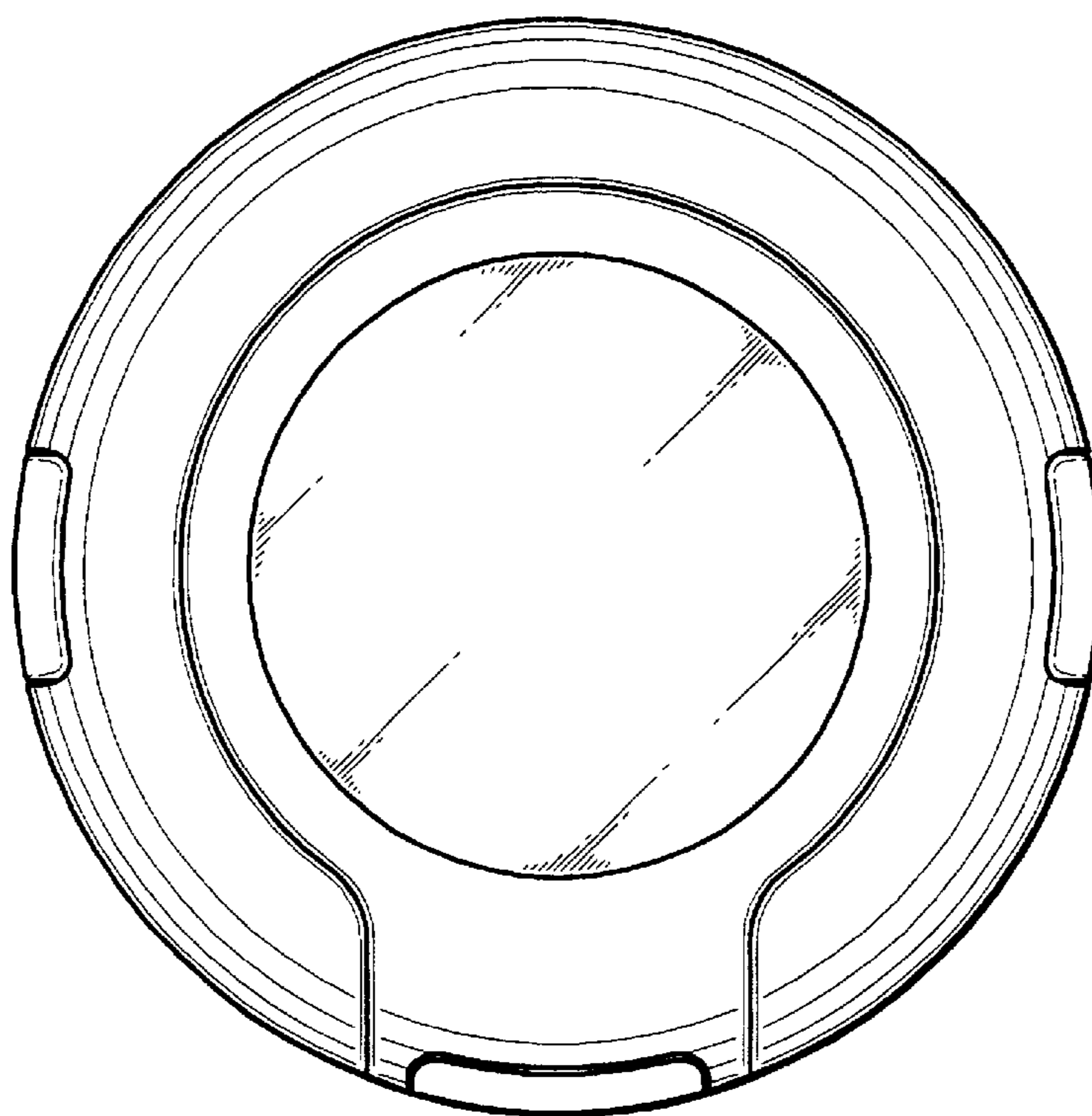


Fig. 4

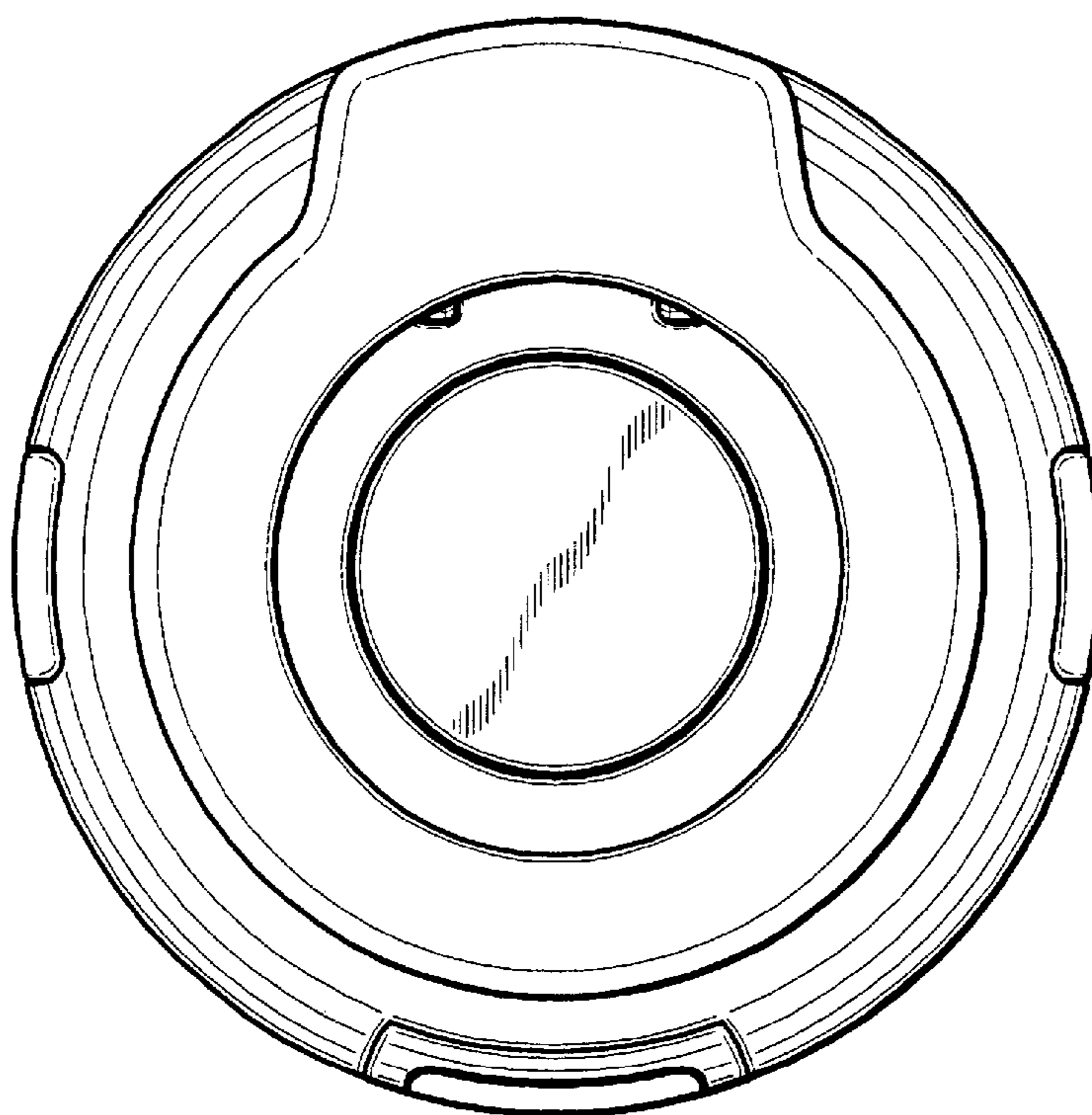


Fig. 5

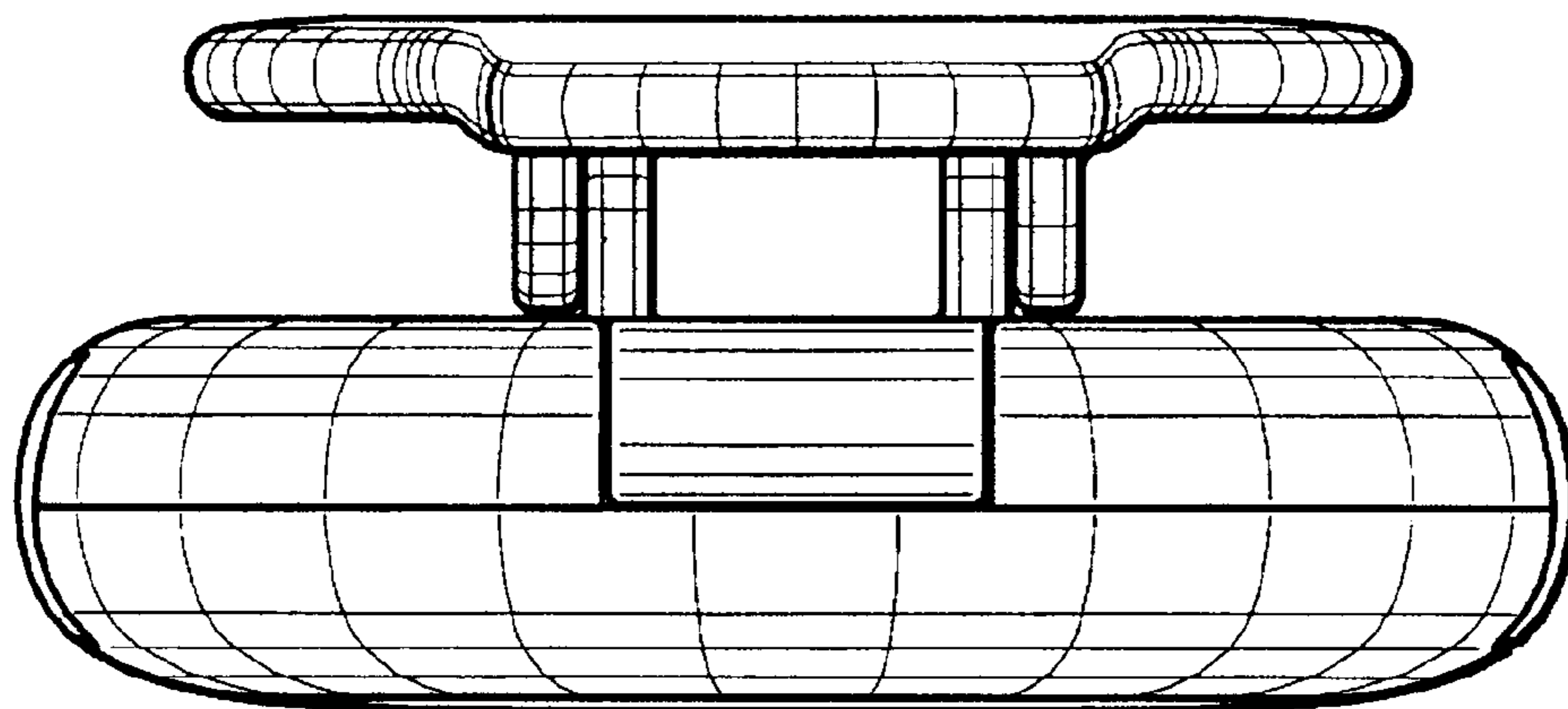


Fig. 6

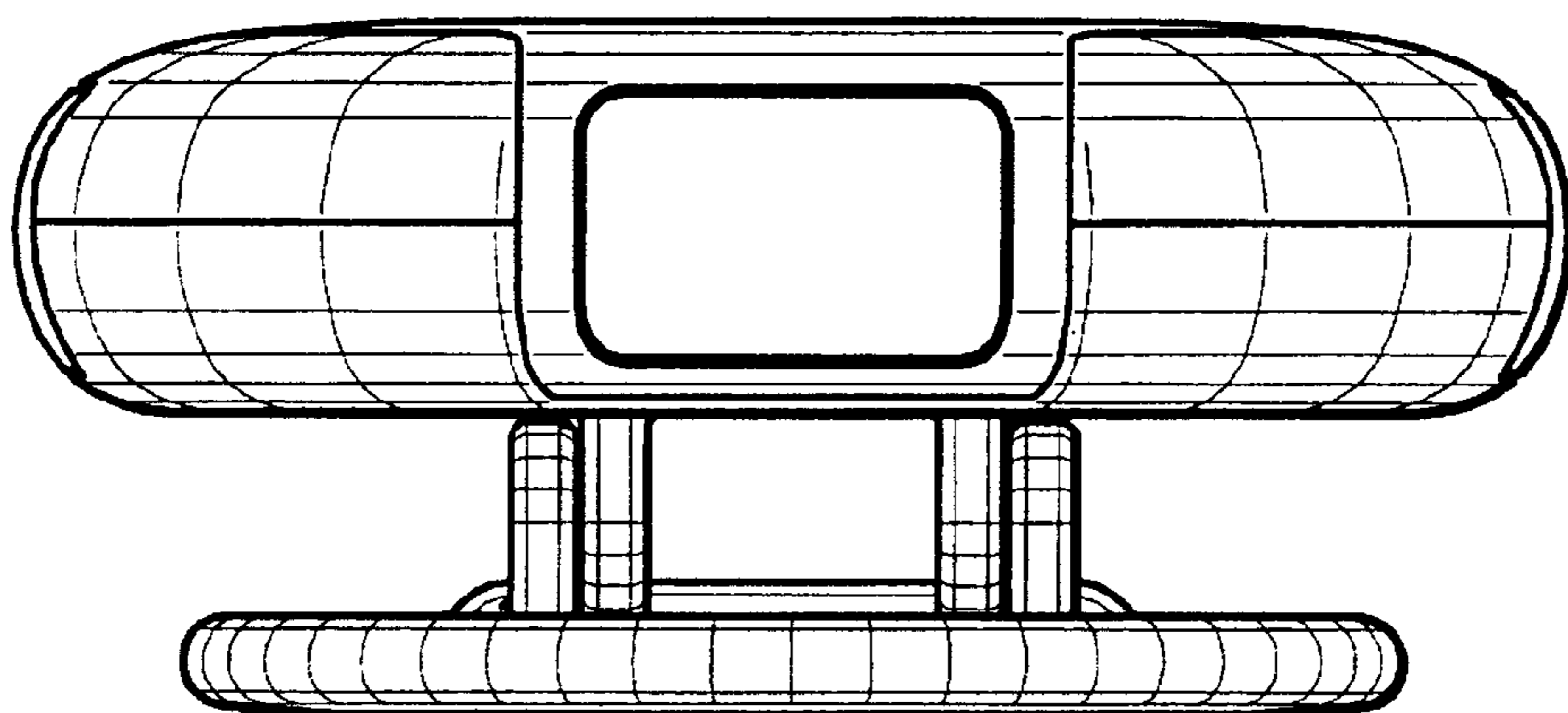


Fig. 7

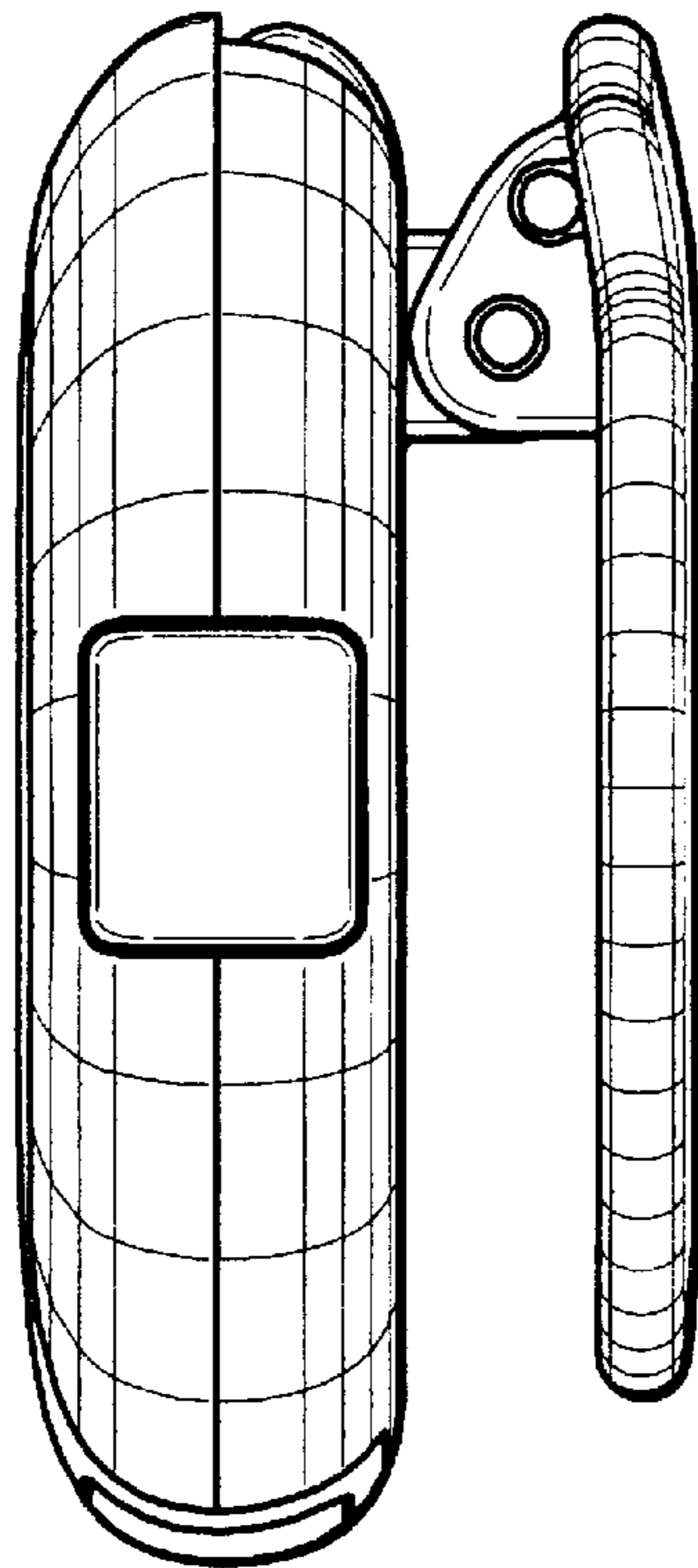


Fig. 8

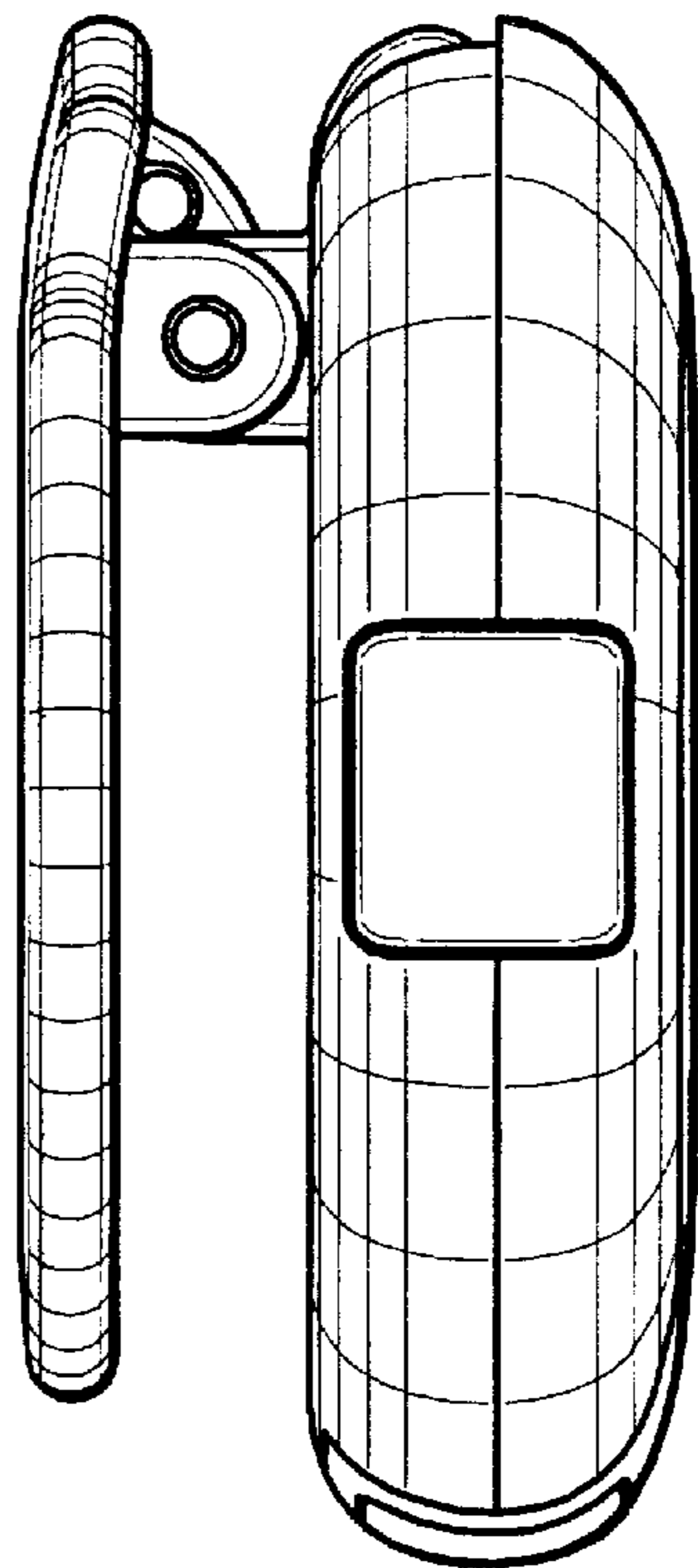


Fig. 9

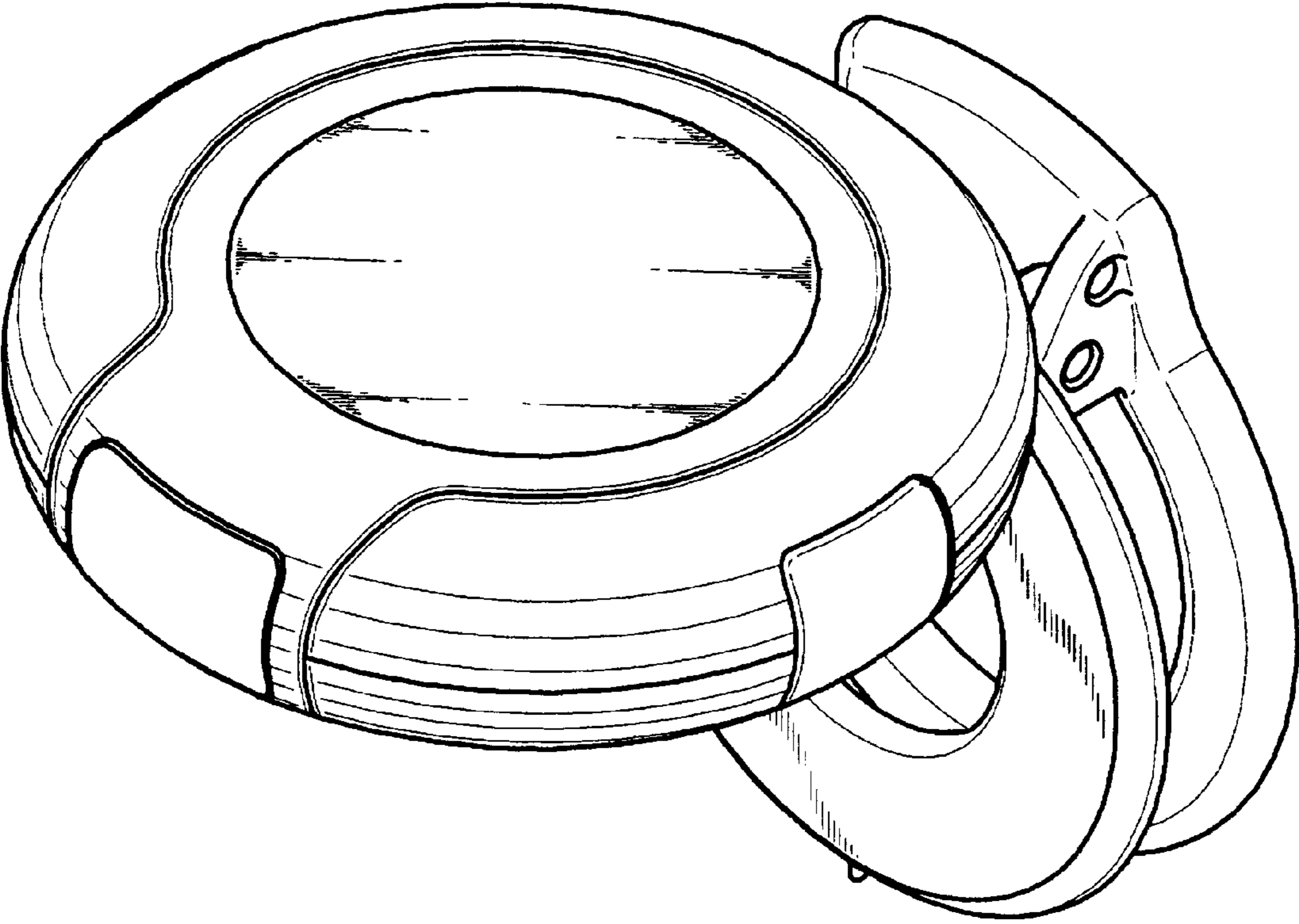


Fig. 10

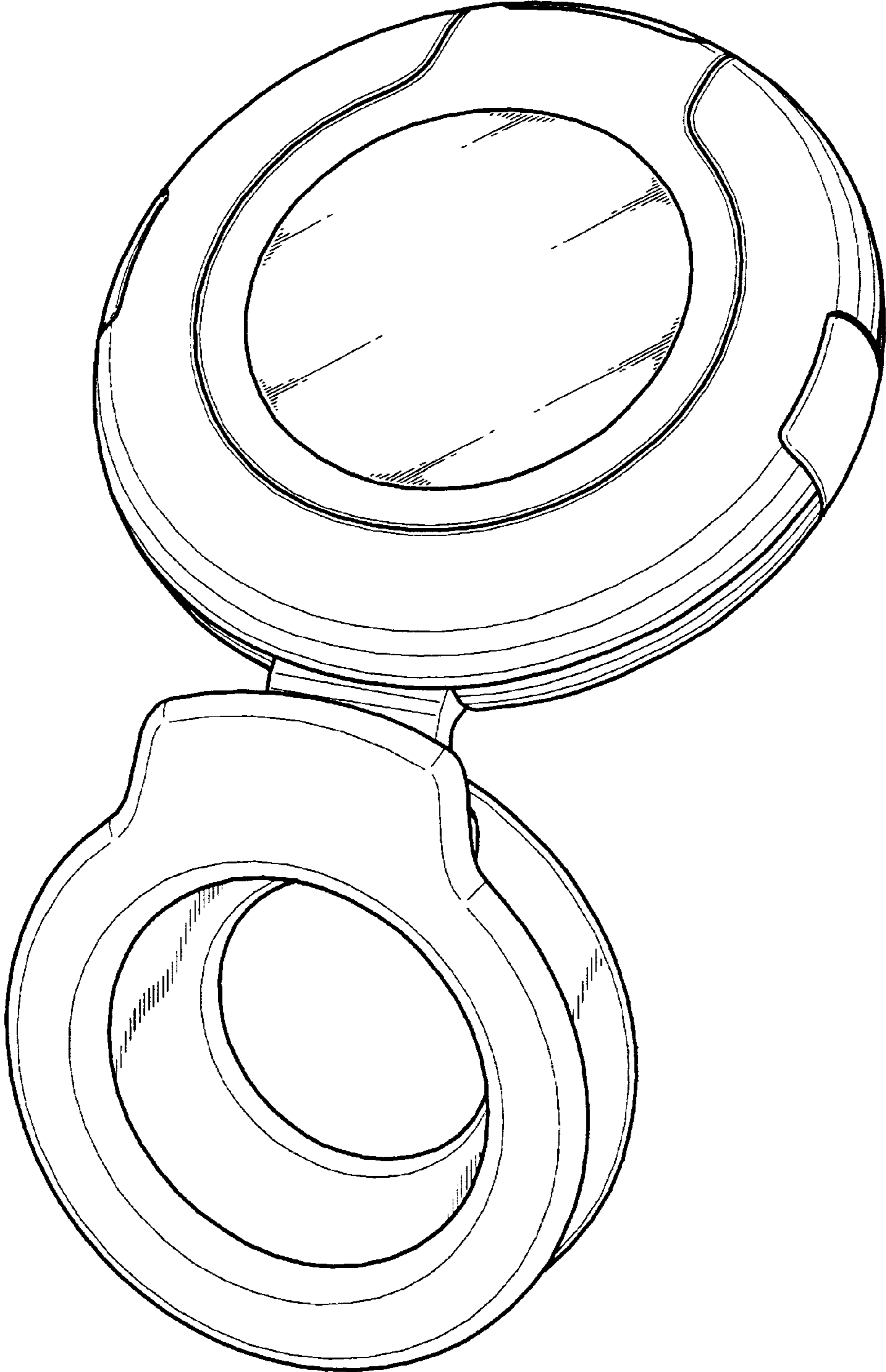


Fig. 11

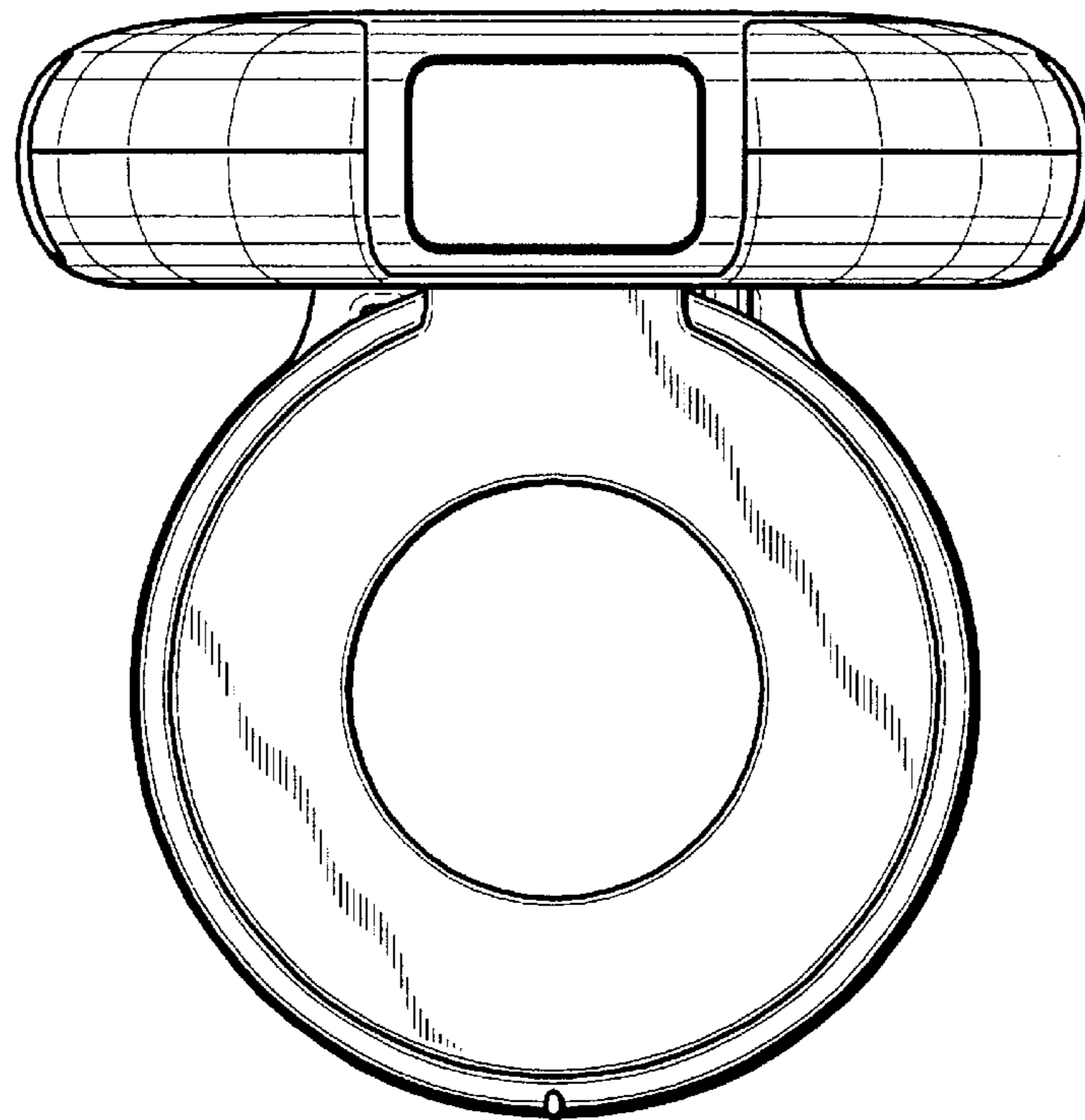


Fig. 12

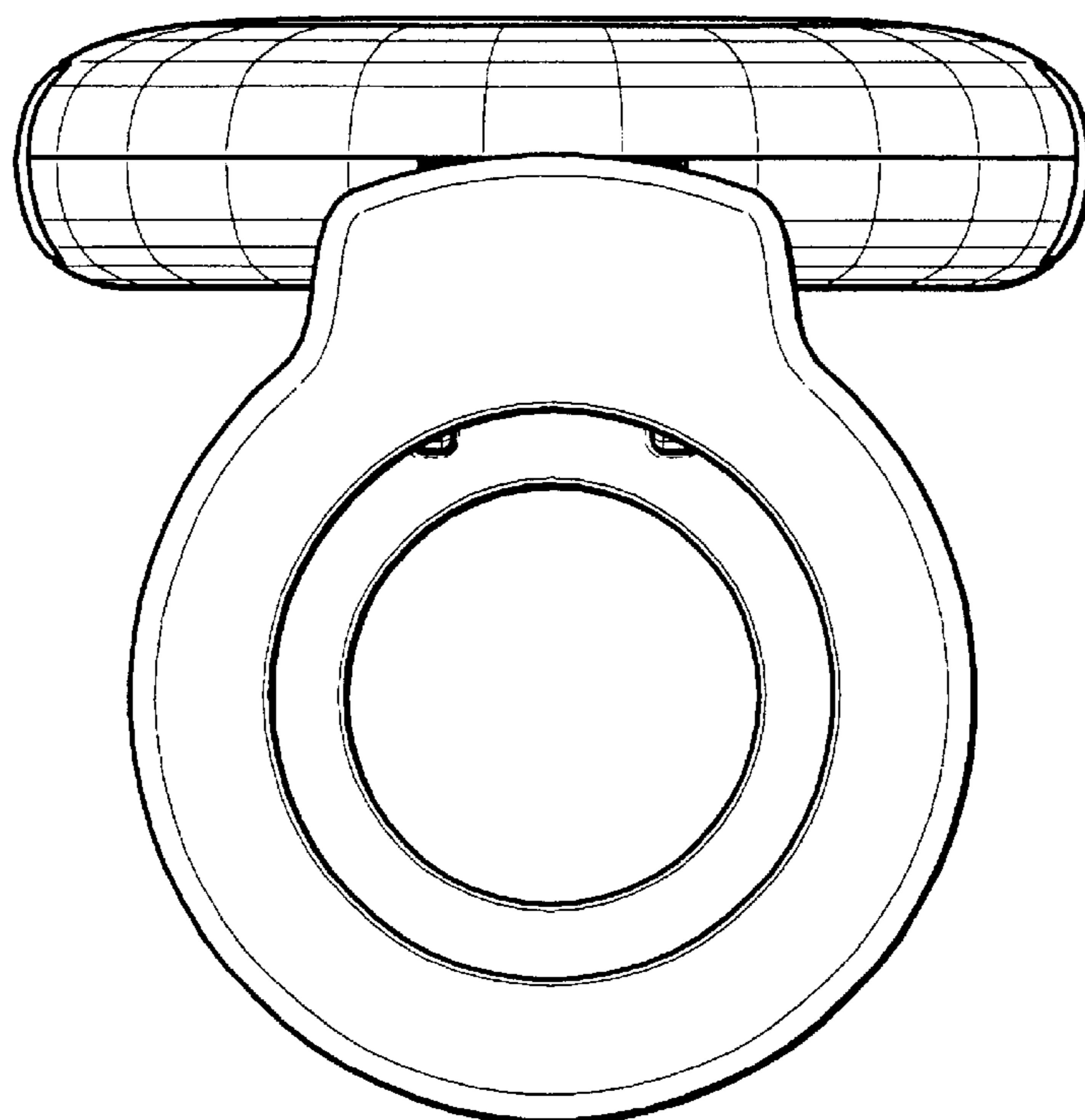


Fig. 13

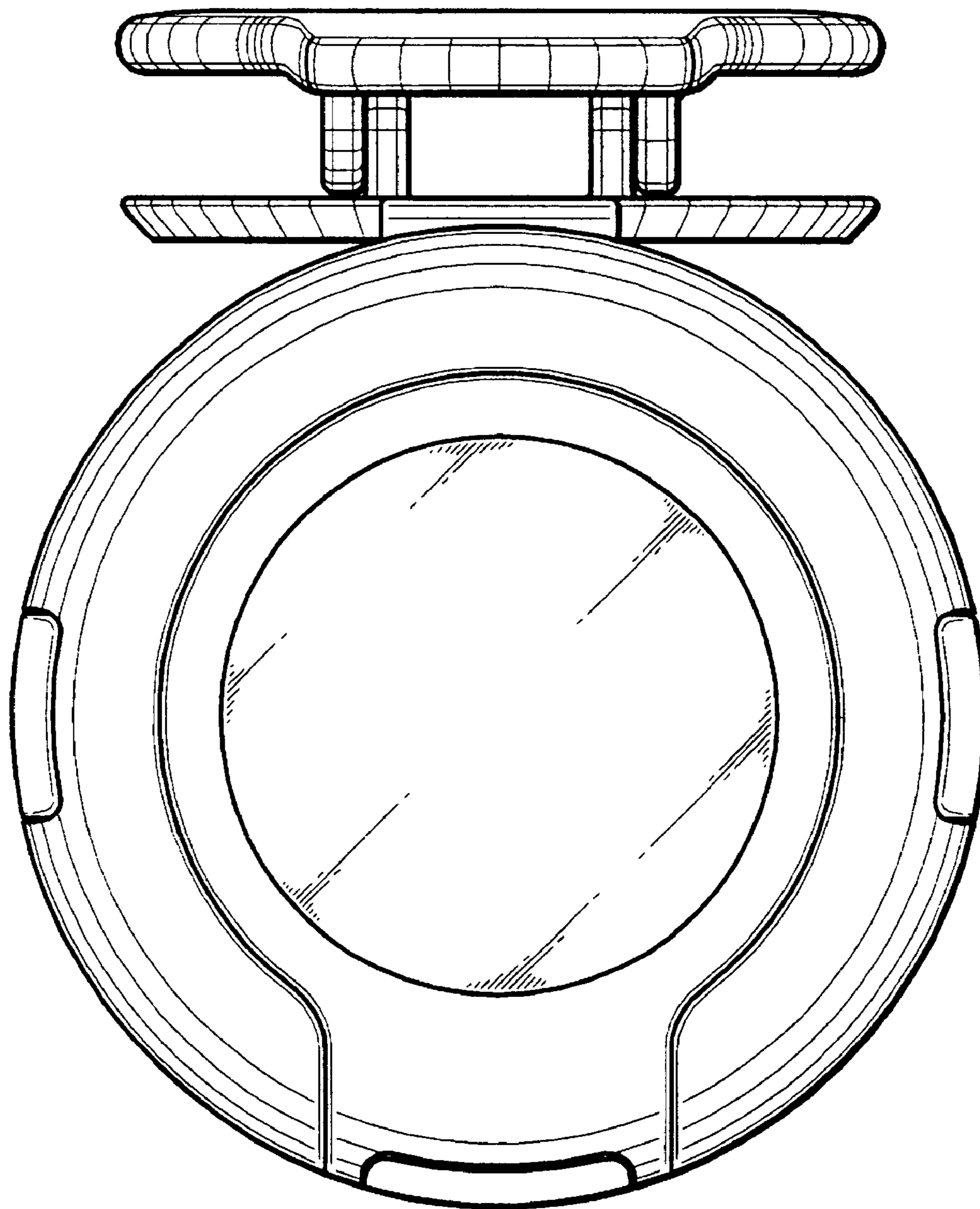


Fig. 14

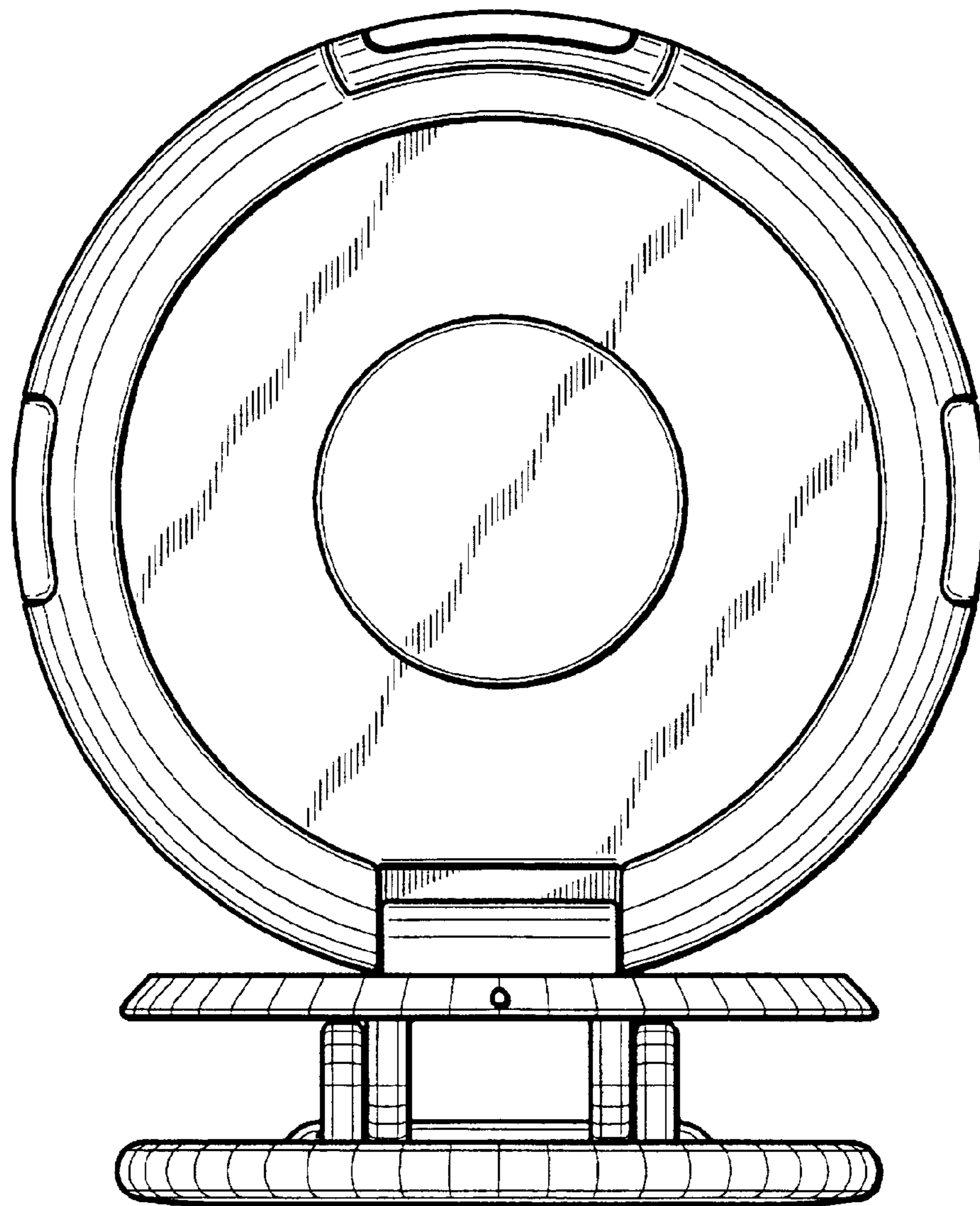


Fig. 15

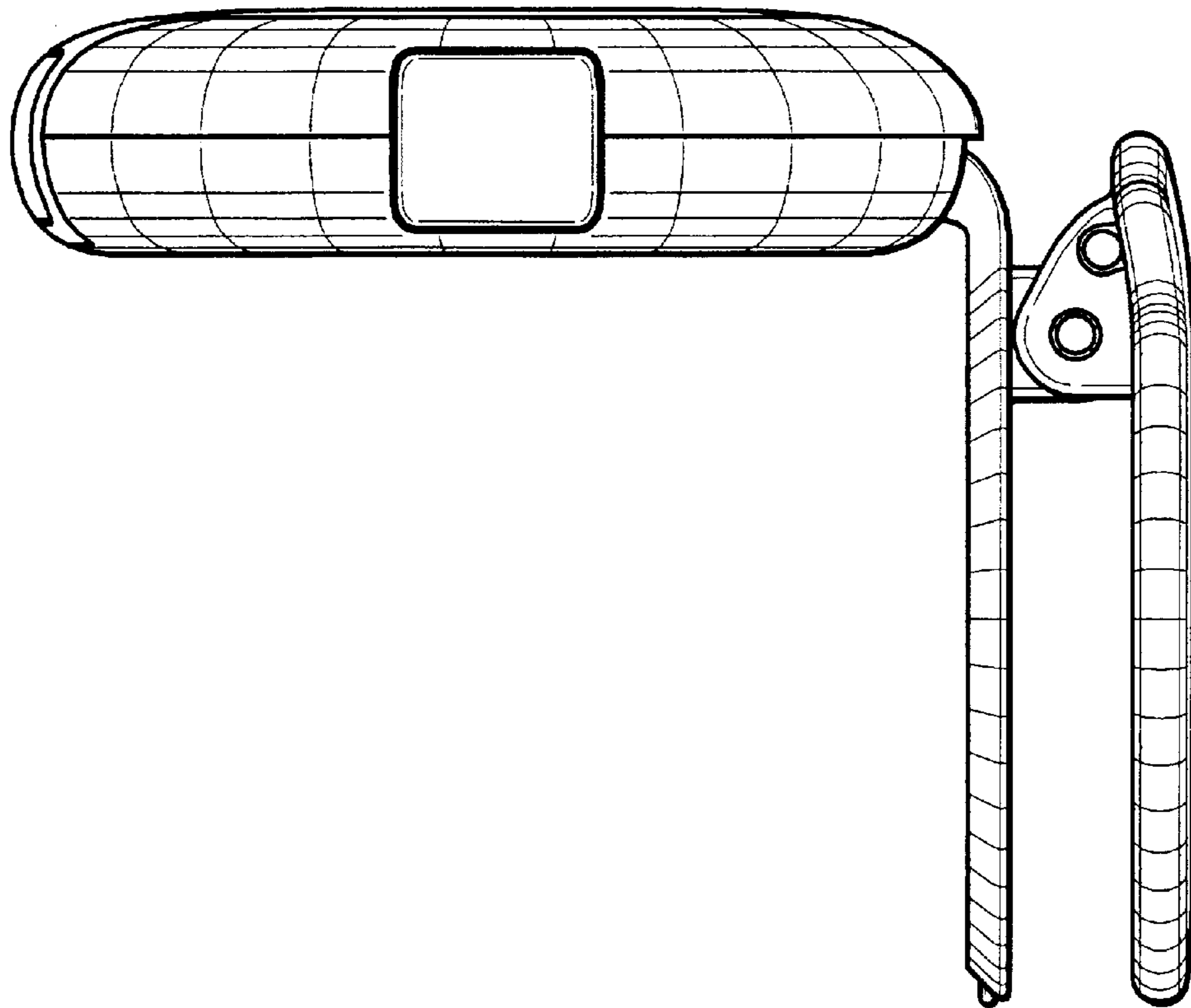


Fig. 16

