



US00D529389S

(12) **United States Design Patent** (10) **Patent No.:** **US D529,389 S**
Trude (45) **Date of Patent:** **** Oct. 3, 2006**

(54) **SIX-SIDED CONTAINER**
(75) Inventor: **Greg Trude**, Seven Valleys, PA (US)
(73) Assignee: **Graham Packaging Company, L.P.**,
York, PA (US)
(**) Term: **14 Years**
(21) Appl. No.: **29/191,537**
(22) Filed: **Oct. 10, 2003**
(51) **LOC (8) Cl.** **09-01**
(52) **U.S. Cl.** **D9/538; D9/556; D9/559;**
D9/571
(58) **Field of Classification Search** **D9/602,**
D9/682, 686, 693, 500, 502-503, 516, 520-522,
D9/529, 538, 542, 549, 550-552, 554, 556,
D9/559-560, 564-567, 571, 573-574; 220/660,
220/662, 669, 671, 675; 215/12.1-12.2, 13.1,
215/381-384
See application file for complete search history.

(56) **References Cited**

U.S. PATENT DOCUMENTS

D42,965 S * 9/1912 Guidry D9/559
D44,764 S * 10/1913 Haley D9/529
D45,228 S * 2/1914 Haley D9/571 X
D46,131 S * 7/1914 Lusk D9/556 X
D125,920 S * 3/1941 Lundy D9/546
D201,400 S * 6/1965 Kneeland D9/556
3,563,408 A * 2/1971 Bijvoet 220/671
3,923,178 A * 12/1975 Welker, III 215/381
4,372,455 A 2/1983 Cochran
4,497,855 A 2/1985 Agrawal et al.
4,805,788 A 2/1989 Akiho
4,877,141 A 10/1989 Hayashi et al.
5,141,120 A 8/1992 Brown et al.
5,141,121 A 8/1992 Brown et al.
5,178,290 A 1/1993 Ota et al.
5,238,129 A 8/1993 Ota
5,269,437 A * 12/1993 Gyax 220/606
D344,457 S 2/1994 Prevot et al.
5,303,834 A 4/1994 Krishnakumar et al.

5,337,909 A 8/1994 Vaillencourt
5,392,937 A 2/1995 Prevot et al.
D366,416 S 1/1996 Semersky
D366,417 S 1/1996 Semersky
D366,831 S 2/1996 Semersky
5,908,128 A 6/1999 Krishnakumar et al.
5,971,184 A 10/1999 Krishnakumar et al.
D427,911 S * 7/2000 Kilian D9/520
D446,729 S * 8/2001 Renella et al. D9/559
D468,213 S * 1/2003 Moore et al. D9/549
D472,815 S * 4/2003 Zhang et al. D9/538
6,929,138 B1 * 8/2005 Melrose et al. 215/381
6,935,525 B1 * 8/2005 Trude 215/381
2003/0000911 A1 * 1/2003 Kelley et al. 215/381

FOREIGN PATENT DOCUMENTS

WO 00/50309 * 8/2000

* cited by examiner

Primary Examiner—Carol Rademaker
(74) *Attorney, Agent, or Firm*—Venable LLP; James R. Burdett; Jeffri A. Kaminski

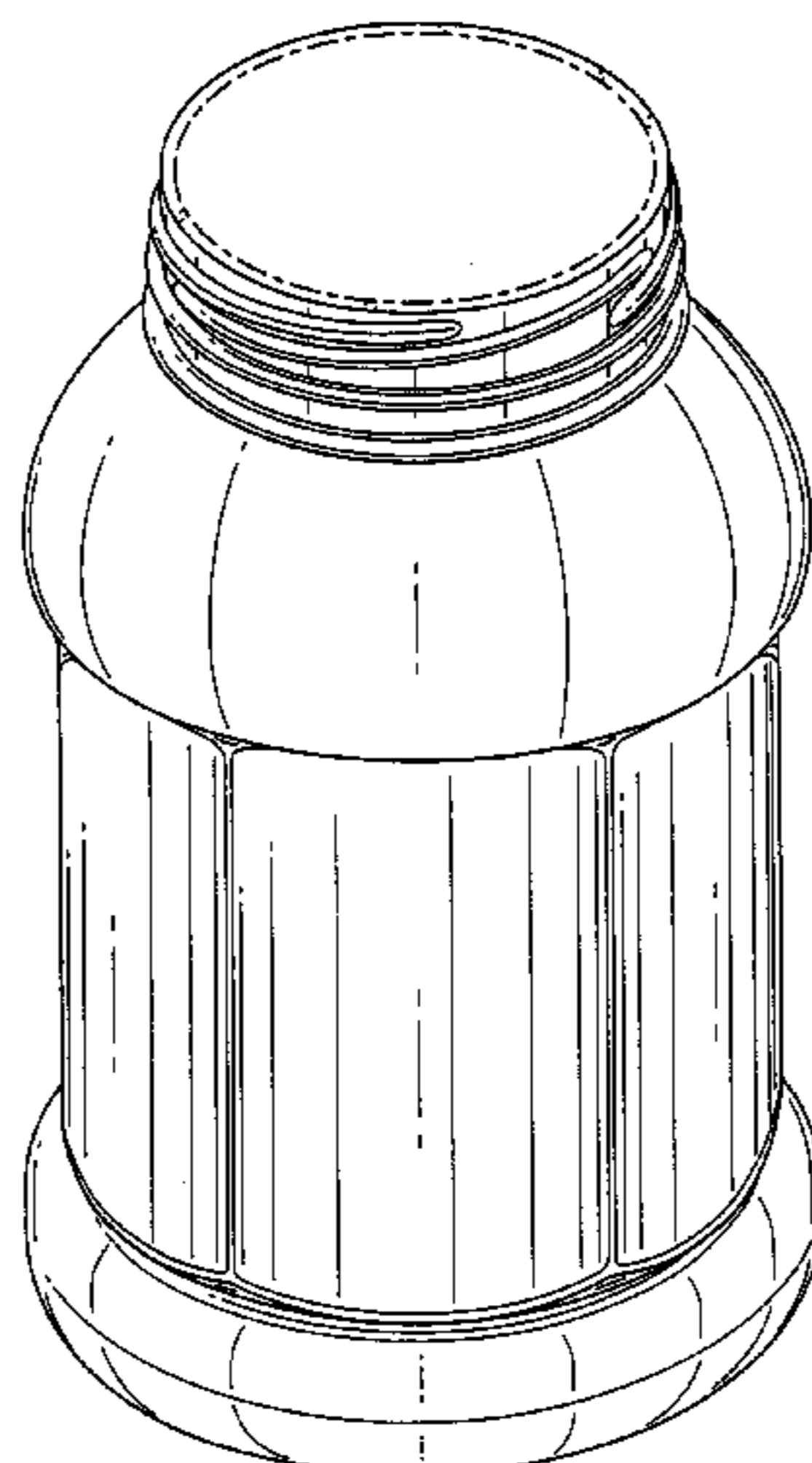
(57) **CLAIM**

The ornamental design for a six-sided container, as shown and described.

DESCRIPTION

FIG. 1 is a top, front perspective view of the six-sided container showing my design;
FIG. 2 is a front elevation view thereof, the rear elevation view being identical;
FIG. 3 is a right side elevation view thereof, the left side elevation view being identical;
FIG. 4 is a top plan view thereof;
FIG. 5 is a bottom plan view thereof; and,
FIG. 6 is a planar cross-section view thereof, taken at the point of section line 6—6 in FIG. 3.
All side views of the six-sided container are identical.
The broken lines shown in FIG. 5 are for environmental purposes only and form no part of the claimed design.

1 Claim, 5 Drawing Sheets



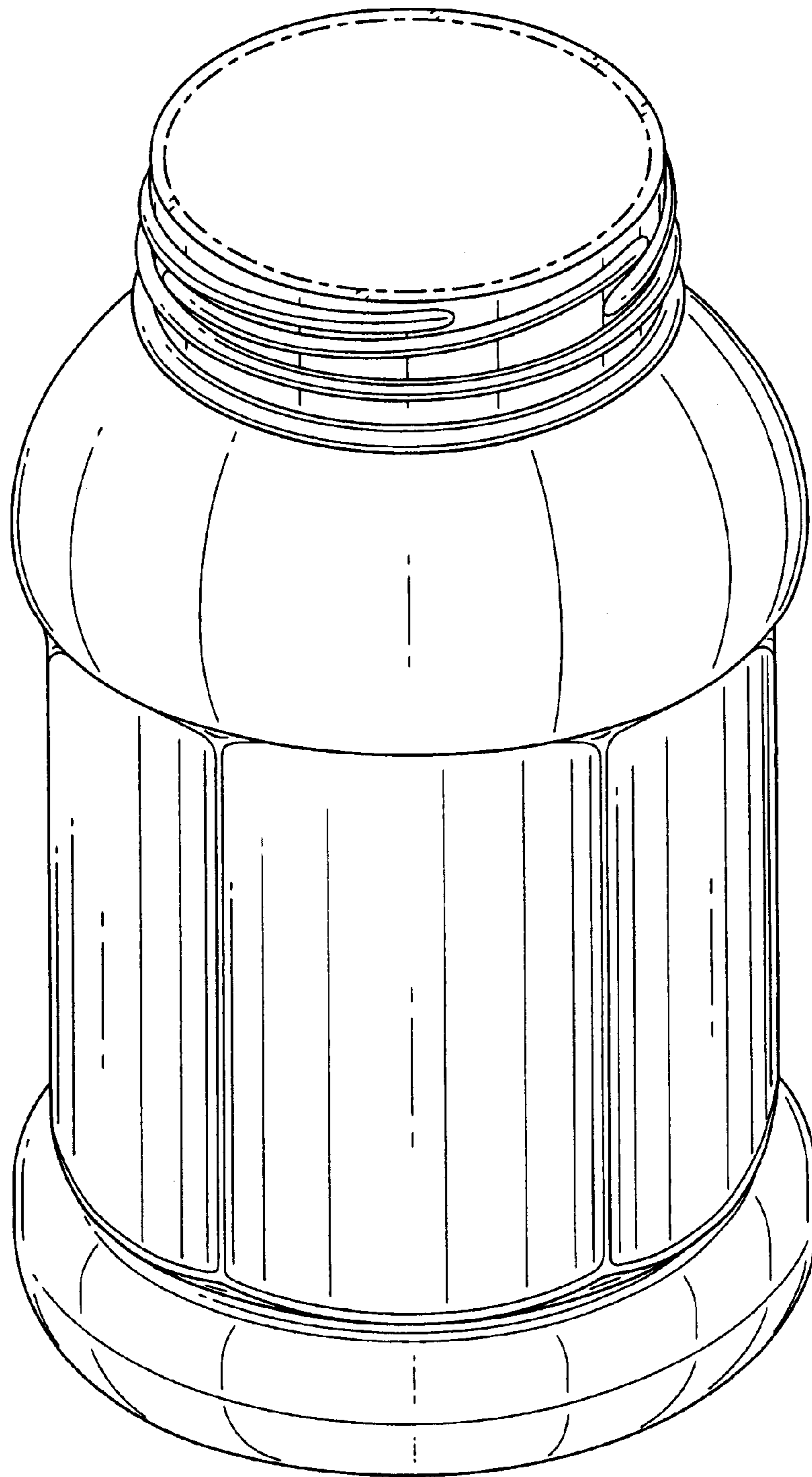


FIG. 1

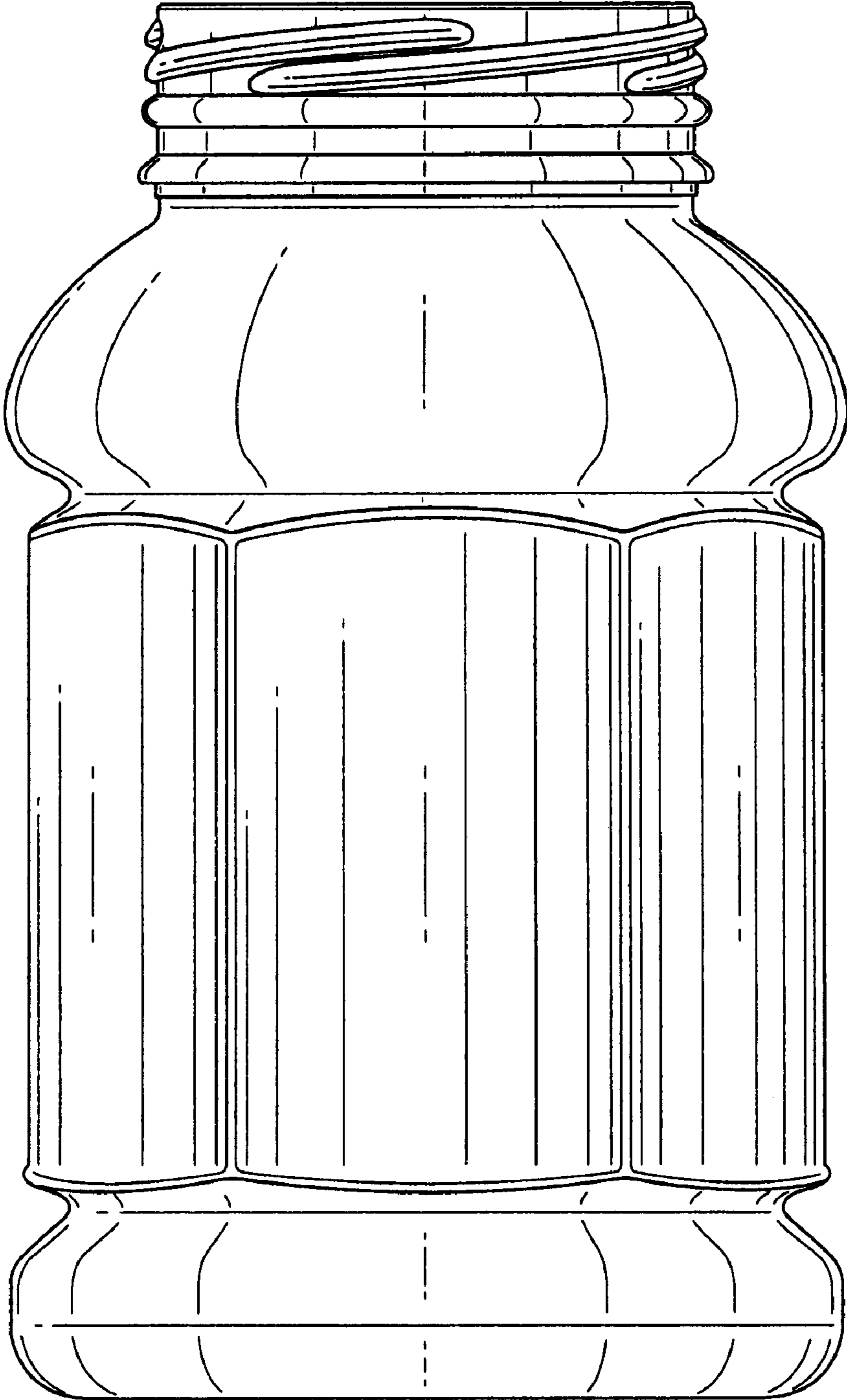


FIG. 2

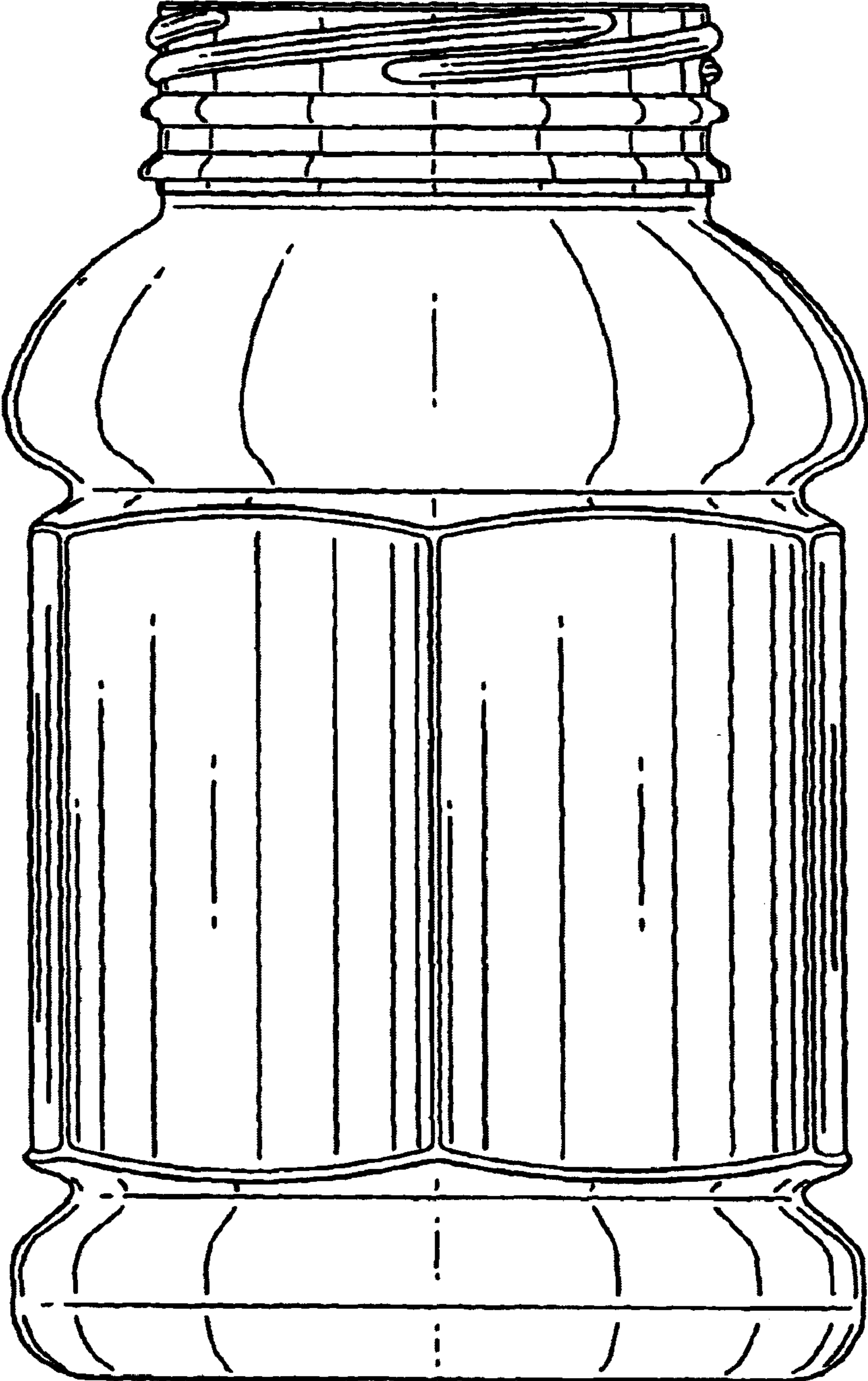


FIG. 3

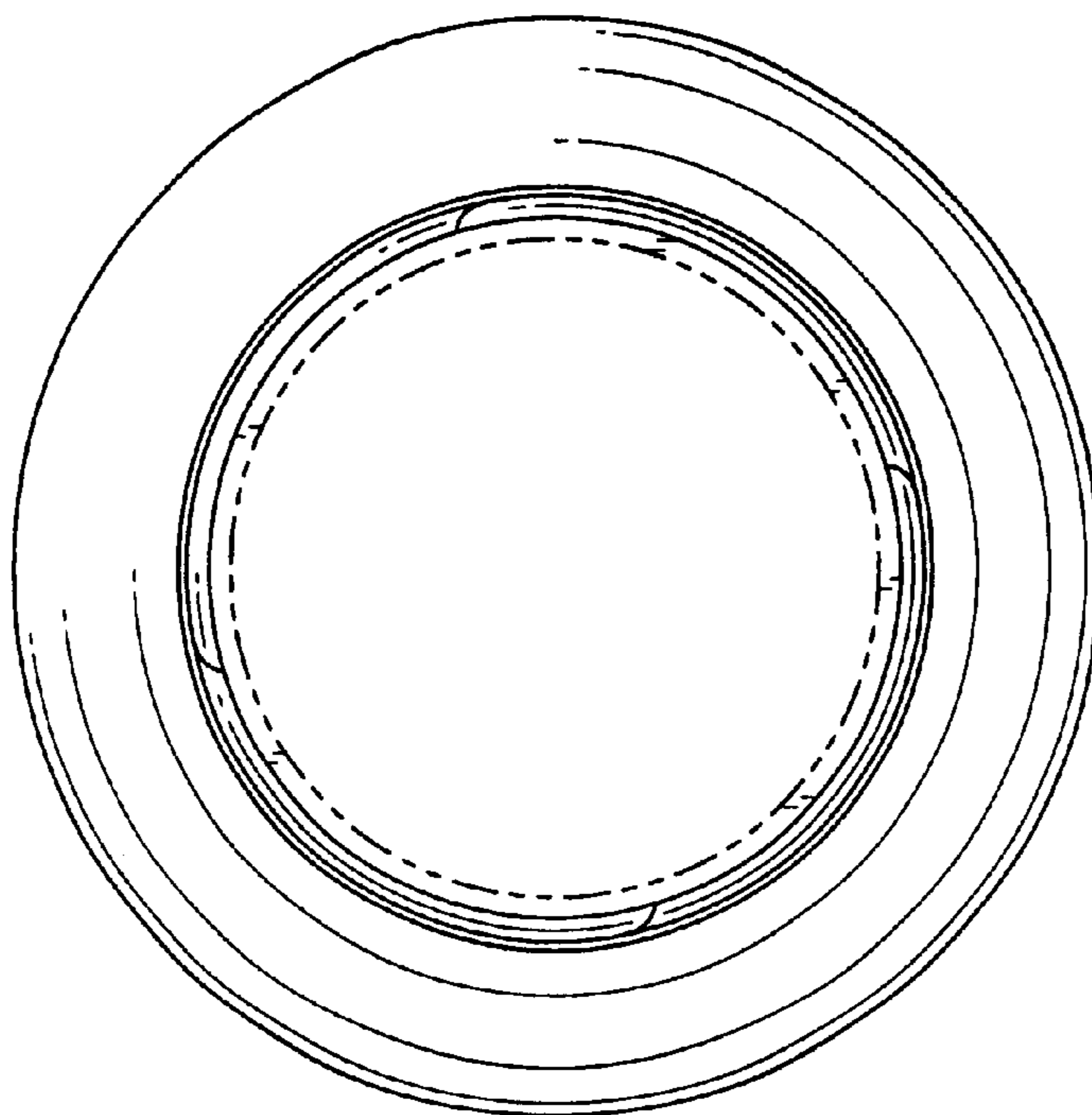


FIG. 4

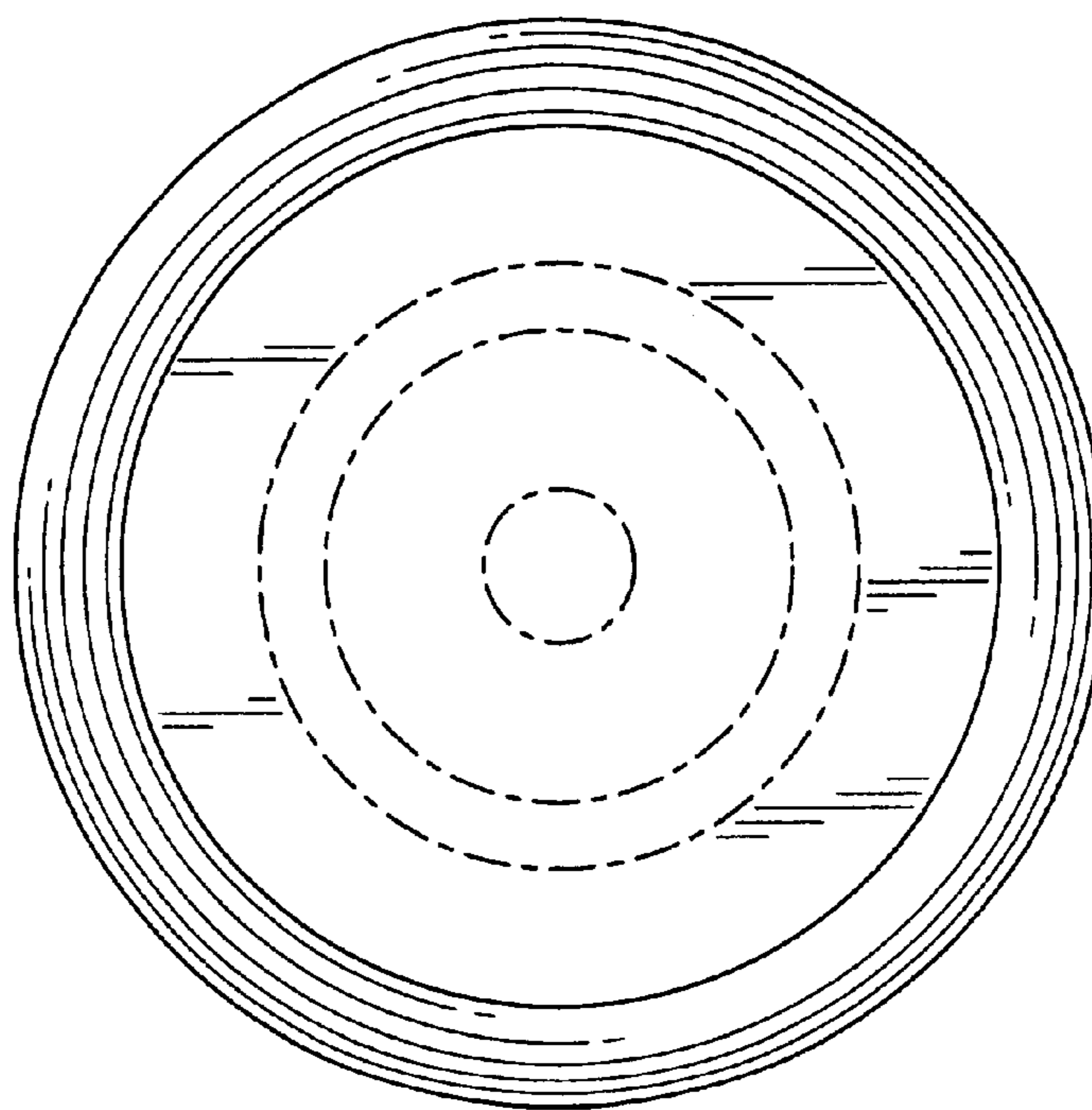


FIG. 5

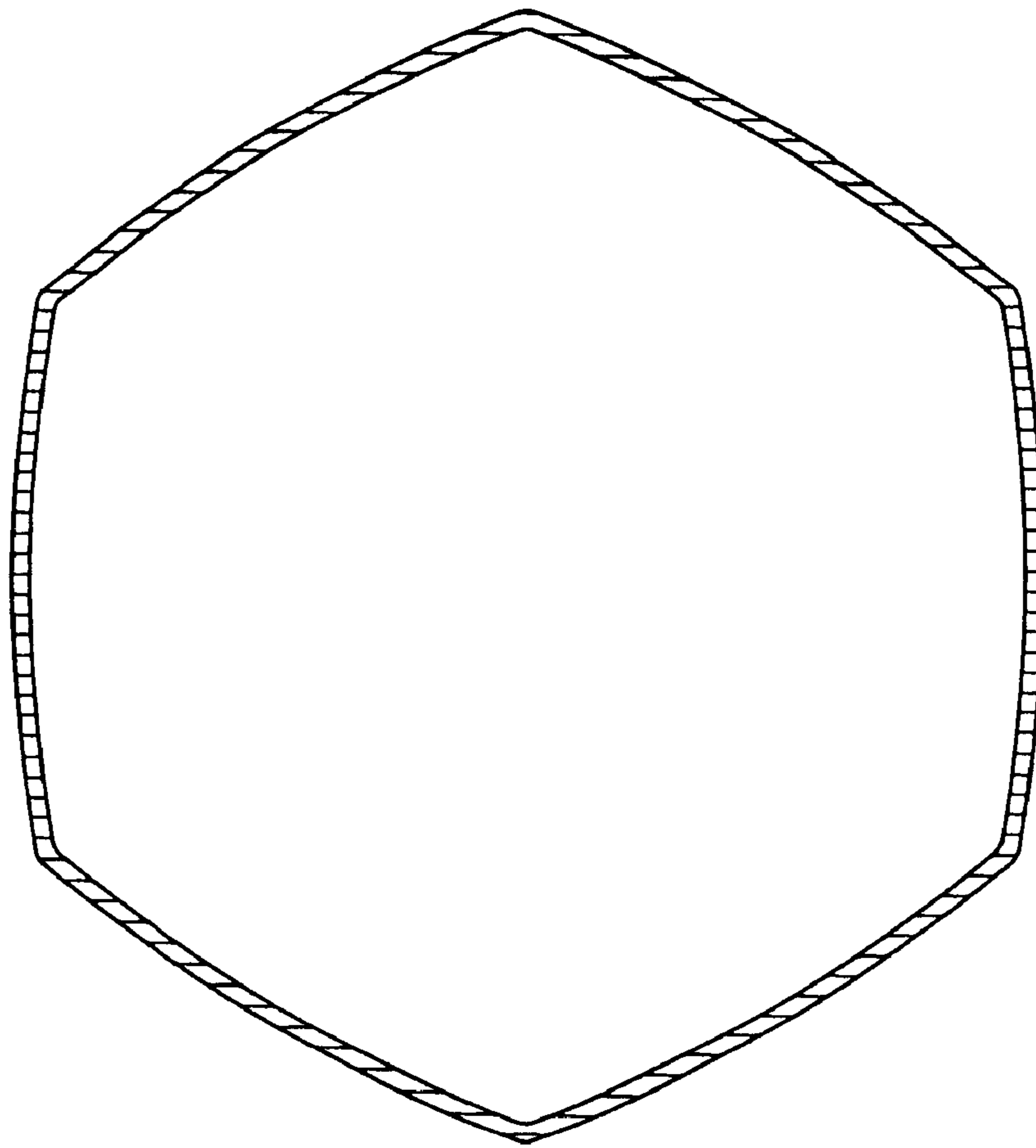


FIG. 6