



US00D529386S

(12) **United States Design Patent**
Kamineni

(10) **Patent No.:** **US D529,386 S**

(45) **Date of Patent:** **** Oct. 3, 2006**

(54) **CONTAINER PORTION**

(75) Inventor: **Satya Kamineni**, Lockport, IL (US)

(73) Assignee: **Constar International Inc.**,
Philadelphia, PA (US)

(**) Term: **14 Years**

(21) Appl. No.: **29/222,637**

(22) Filed: **Feb. 2, 2005**

(51) **LOC (8) Cl.** **09-01**

(52) **U.S. Cl.** **D9/516; D9/551; D9/553;**
D9/554

(58) **Field of Classification Search** D9/668,
D9/681-682, 686-694, 516, 530, 537-545,
D9/549-551, 553-554, 558, 563-564, 566-567,
D9/574-575; 215/382-384, 396, 398

See application file for complete search history.

(56) **References Cited**

U.S. PATENT DOCUMENTS

D62,888 S	8/1923	Davis, Jr.	
D66,789 S	3/1925	Curran	
D74,080 S	* 12/1927	Swindell	D9/544
D94,384 S	1/1935	Fuerst	
D94,462 S	2/1935	Ball	
D116,236 S	* 8/1939	Love	D9/668
D144,247 S	3/1946	Graham	
D169,239 S	* 4/1953	Dillon	D9/552
D178,529 S	* 8/1956	Lorenzen	D9/555
D189,507 S	12/1960	Holtz	
D195,650 S	* 7/1963	Koenigsberg	D9/542
4,024,975 A	* 5/1977	Uhlig	215/373
5,060,453 A	* 10/1991	Alberghini et al.	53/440

D375,050 S	* 10/1996	Chahed	D9/553
D379,154 S	5/1997	Cox	
D381,272 S	7/1997	Coons	
D432,020 S	10/2000	Steward et al.	
D447,061 S	8/2001	Peek	
D447,422 S	9/2001	Peek	
D451,395 S	* 12/2001	Vultaggio et al.	D9/530
D458,148 S	6/2002	Sadeghi et al.	
D476,570 S	* 7/2003	Silvers	D9/500
6,698,606 B1	* 3/2004	Deubel et al.	215/384
D489,991 S	* 5/2004	Deubel et al.	D9/538
D491,809 S	* 6/2004	Silvers et al.	D9/500
D507,187 S	* 7/2005	Yourist	D9/681

* cited by examiner

Primary Examiner—Carol Rademaker

(74) *Attorney, Agent, or Firm*—Knobbe Yoshida &
Dunleavy, LLC

(57) **CLAIM**

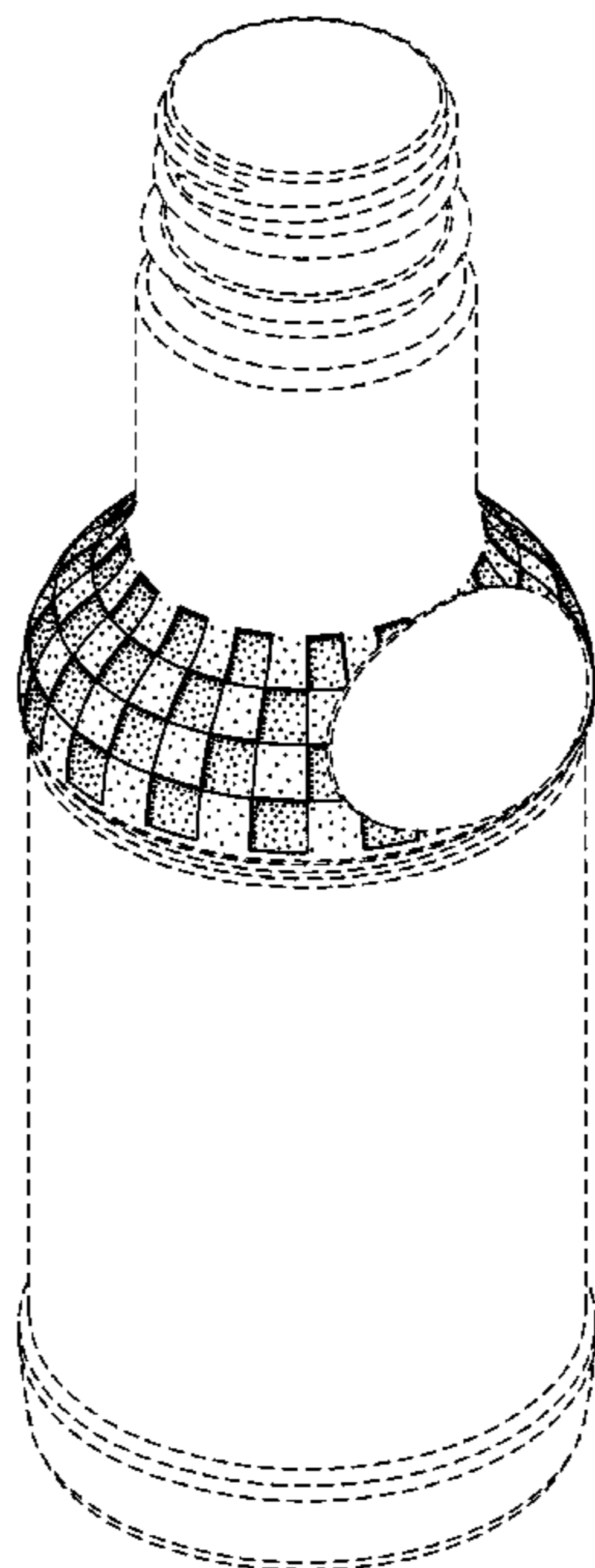
The ornamental design for a container portion, as shown and described.

DESCRIPTION

FIG 1 is a perspective view showing my new design;
FIG 2 is a front elevational view thereof;
FIG 3 is a rear elevational view thereof;
FIG 4 is a left side elevational view thereof;
FIG 5 is a right side elevational view thereof;
FIG 6 is a top plan view thereof; and,
FIG 7 is a bottom plan view thereof.

The broken lines shown in the drawings are for environmental purposes only and form no part of the claimed design.

1 Claim, 7 Drawing Sheets



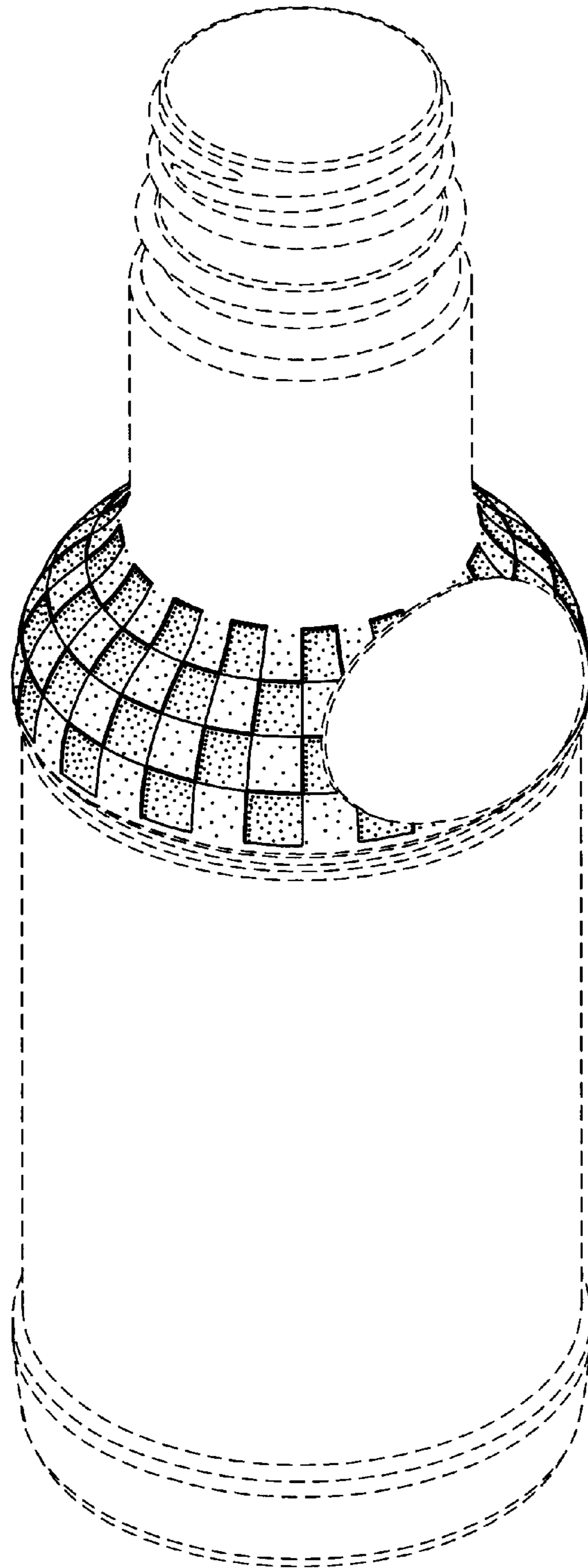


FIG. 1

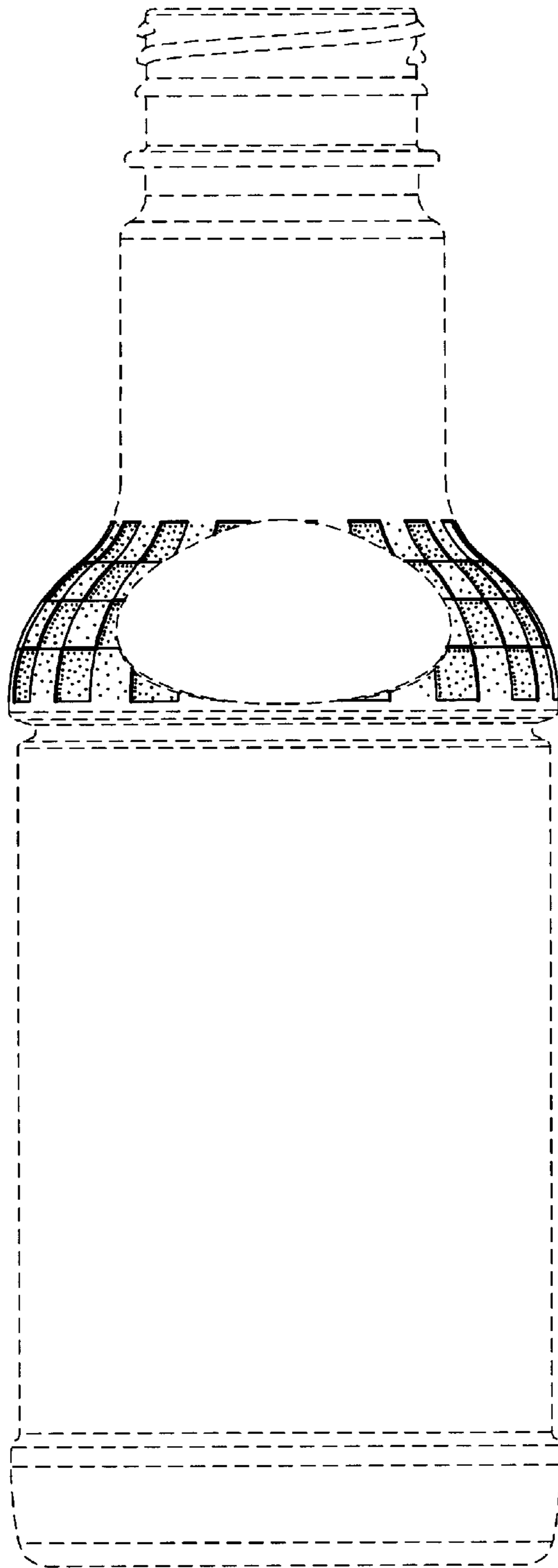


FIG. 2

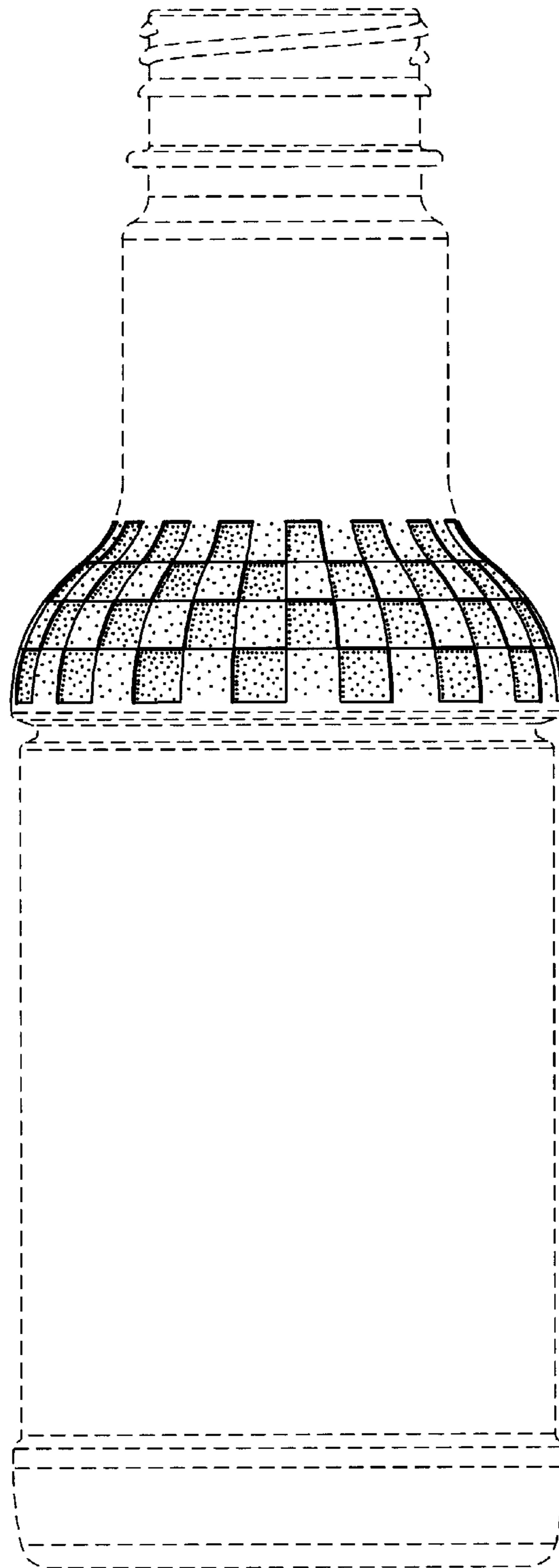


FIG. 3

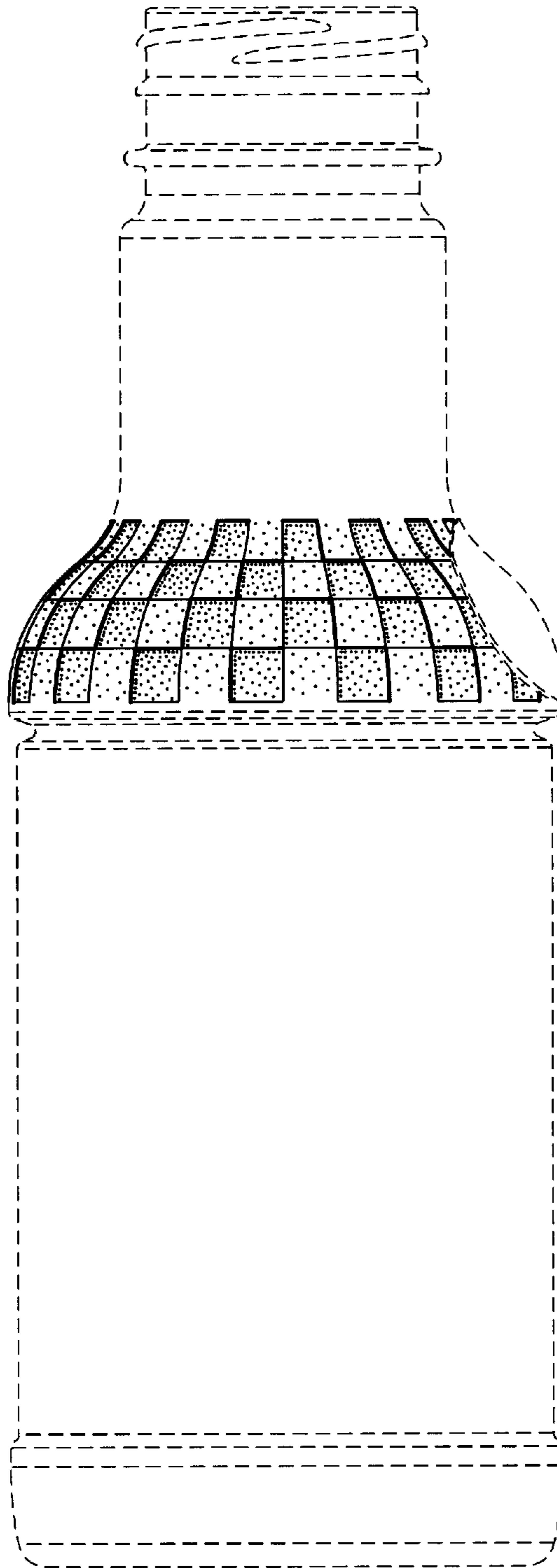


FIG. 4

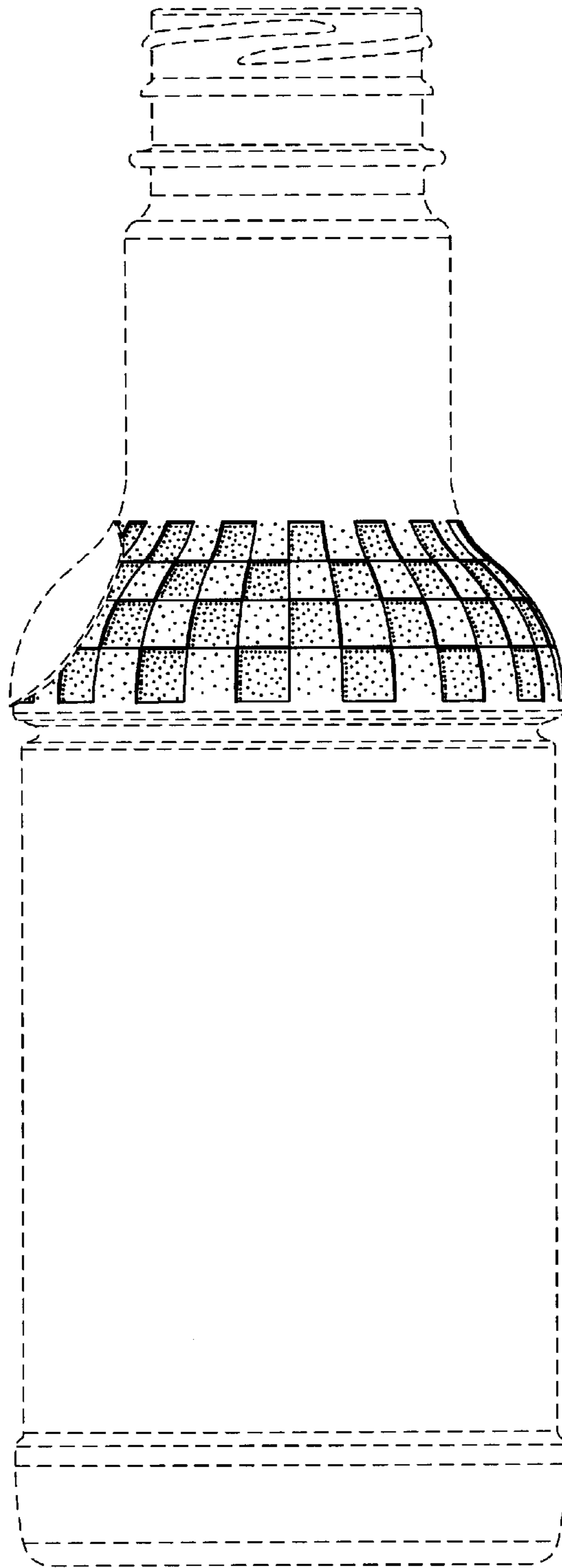


FIG. 5

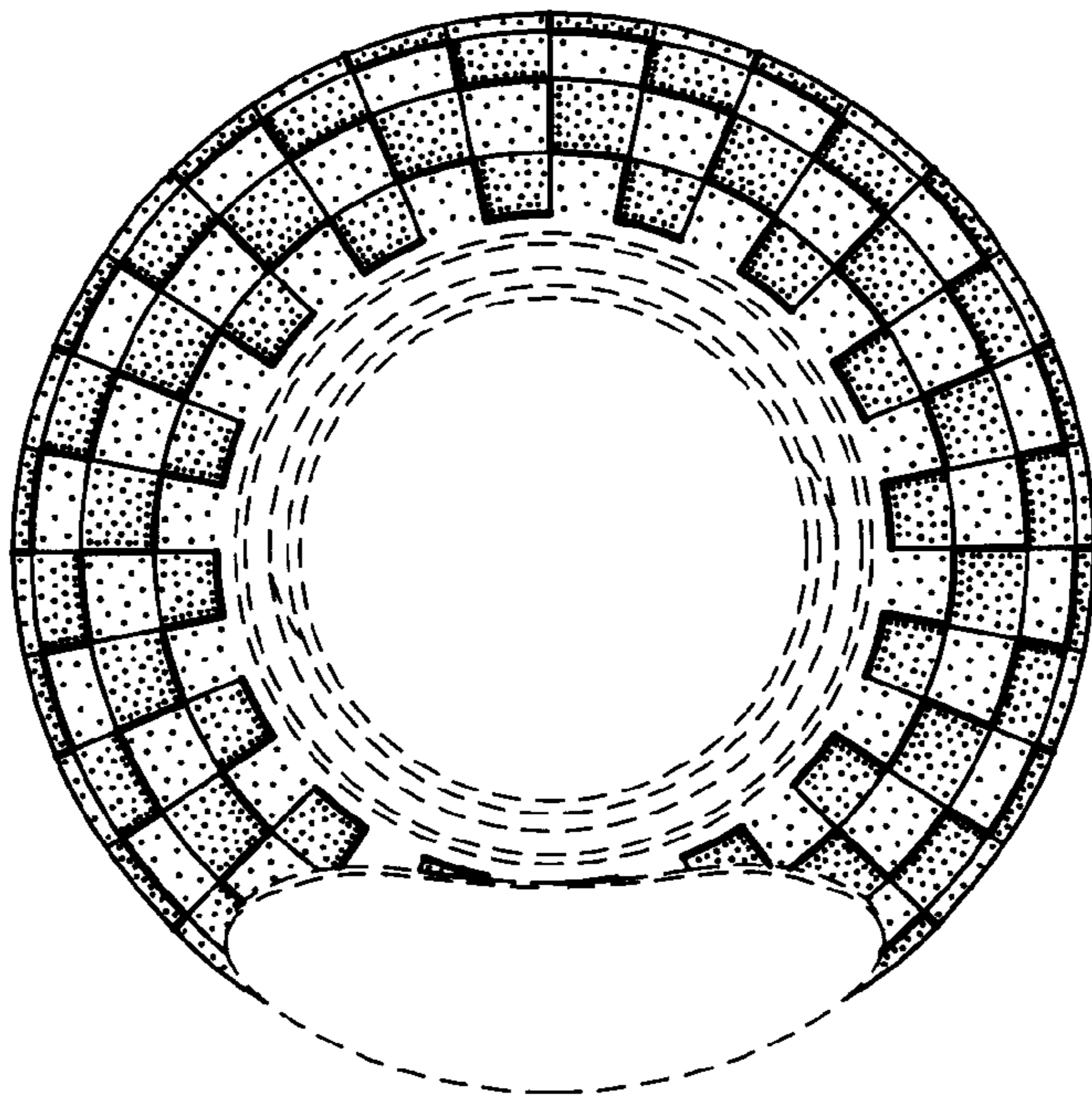


FIG. 6

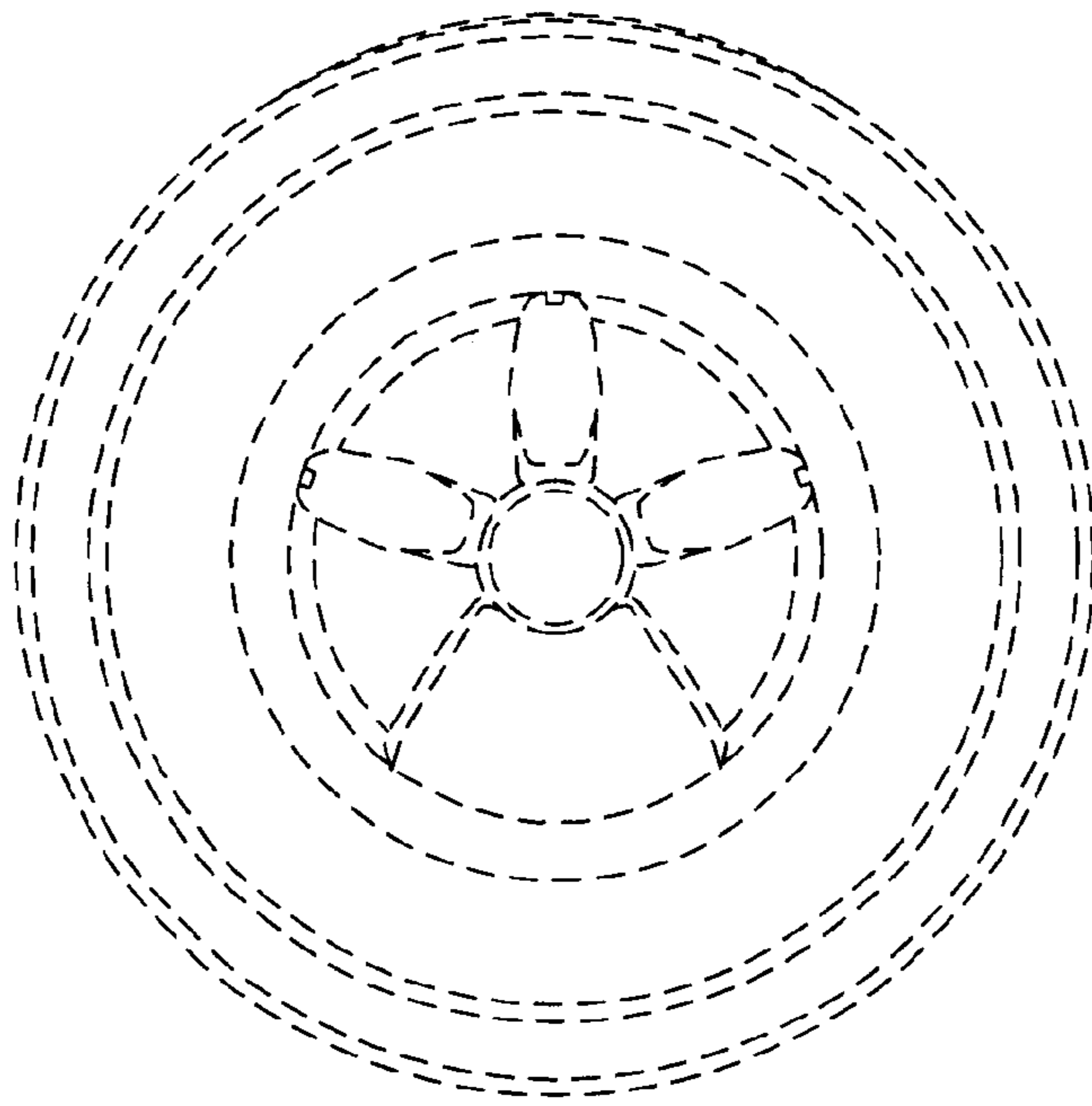


FIG. 7