



US00D529385S

(12) **United States Design Patent** (10) **Patent No.:** **US D529,385 S**
Gamber et al. (45) **Date of Patent:** **** Oct. 3, 2006**

(54) **CONTAINER SHOULDER**

(75) Inventors: **Daniel W. Gamber**, Lakeland, TN
(US); **Rebecca A. Streby**, Brighton, MI
(US)

(73) Assignee: **Amcors Limited**, Abbotsford (AU)

(**) Term: **14 Years**

(21) Appl. No.: **29/189,637**

(22) Filed: **Sep. 9, 2003**

(51) **LOC (8) Cl.** **09-01**

(52) **U.S. Cl.** **D9/516; D9/563; D9/566**

(58) **Field of Classification Search** D9/684,
D9/738-747, 516, 523, 526, 528, 530-531,
D9/534, 541-543, 551-553, 559, 560, 562-567,
D9/569-575; 215/10, 381-384
See application file for complete search history.

(56) **References Cited**

U.S. PATENT DOCUMENTS

D380,158 S	*	6/1997	Olivares et al.	D9/541
5,762,221 A	*	6/1998	Tobias et al.	215/381
D420,919 S	*	2/2000	Ogg	D9/542
6,044,997 A	*	4/2000	Ogg	215/381
6,257,433 B1	*	7/2001	Ogg et al.	215/381
D451,032 S	*	11/2001	Iizuka et al.	D9/569
D451,033 S	*	11/2001	Iizuka et al.	D9/569
D459,234 S	*	6/2002	Bourque et al.	D9/543
6,575,321 B1	*	6/2003	Bourque et al.	215/384
D507,746 S	*	7/2005	Sasaki et al.	D9/516
D508,401 S	*	8/2005	Zboch et al.	D9/434
6,974,047 B1	*	12/2005	Kelley et al.	215/381

2003/0136754 A1	*	7/2003	Bourque et al.	215/384
2004/0134872 A1	*	7/2004	Sasaki et al.	215/384
2004/0164046 A1	*	8/2004	Kelley	215/382
2005/0150859 A1	*	7/2005	Lane et al.	215/381
2005/0247664 A1	*	11/2005	Lane et al.	215/381

* cited by examiner

Primary Examiner—Carol Rademaker

(74) *Attorney, Agent, or Firm*—Harness, Dickey & Pierce, P.L.C.

(57) **CLAIM**

The ornamental design for a container shoulder, as shown and described.

DESCRIPTION

FIG. 1 is a front perspective view of a container shoulder showing our new design;

FIG. 2 is a front elevational view of the container shoulder, the rear elevational view being identical except for the unclaimed thread;

FIG. 3 is a right side elevational view of the container shoulder, the left side elevational view being identical except for the unclaimed thread;

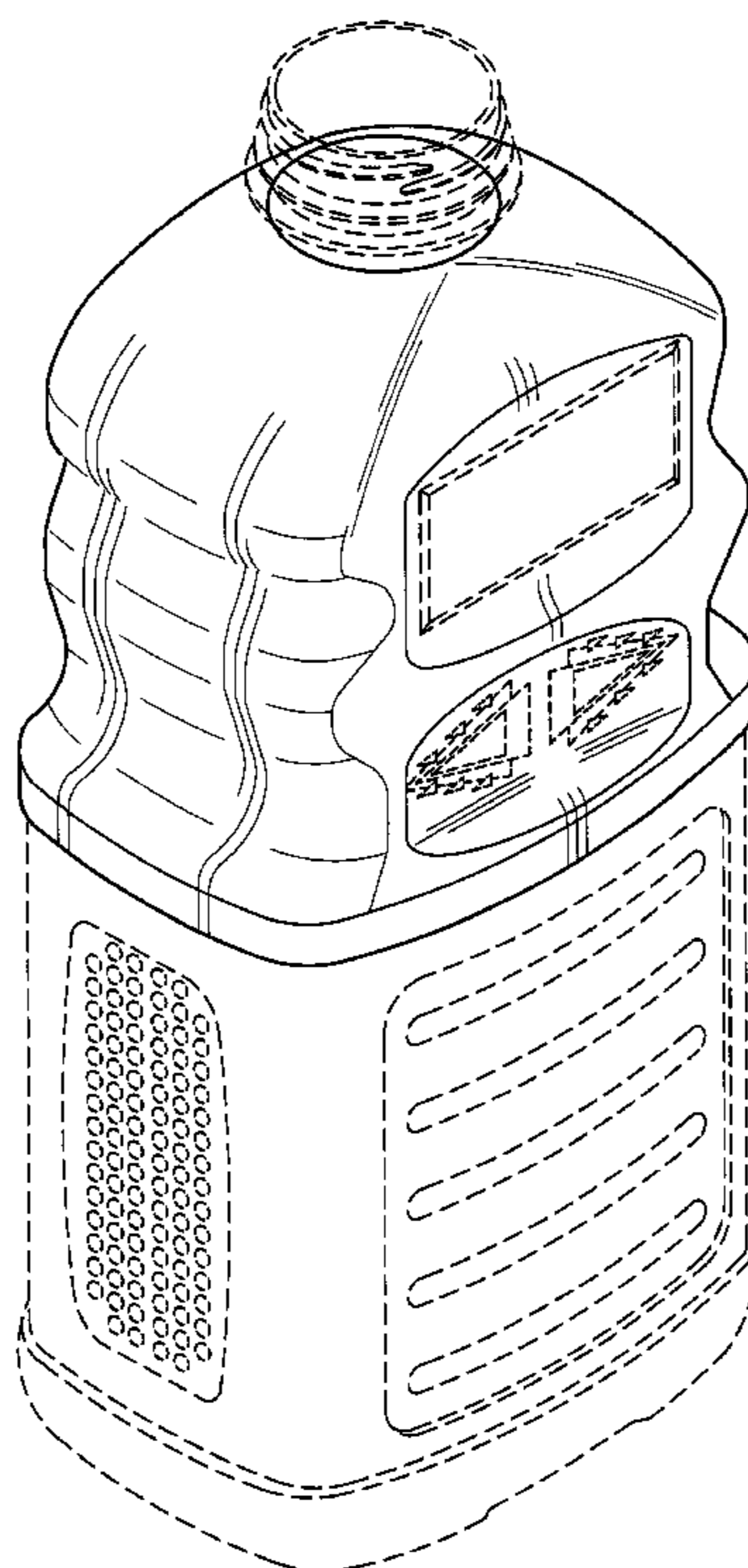
FIG. 4 is a cross-sectional view of the container shoulder taken along section line 4—4 of FIG. 2;

FIG. 5 is a cross-sectional view of the container shoulder taken along section line 5—5 of FIG. 2; and,

FIG. 6 is a cross-sectional view of the container shoulder taken along section line 6—6 of FIG. 2.

The broken lines are for environmental purposes only and form no part of the claimed design.

1 Claim, 4 Drawing Sheets



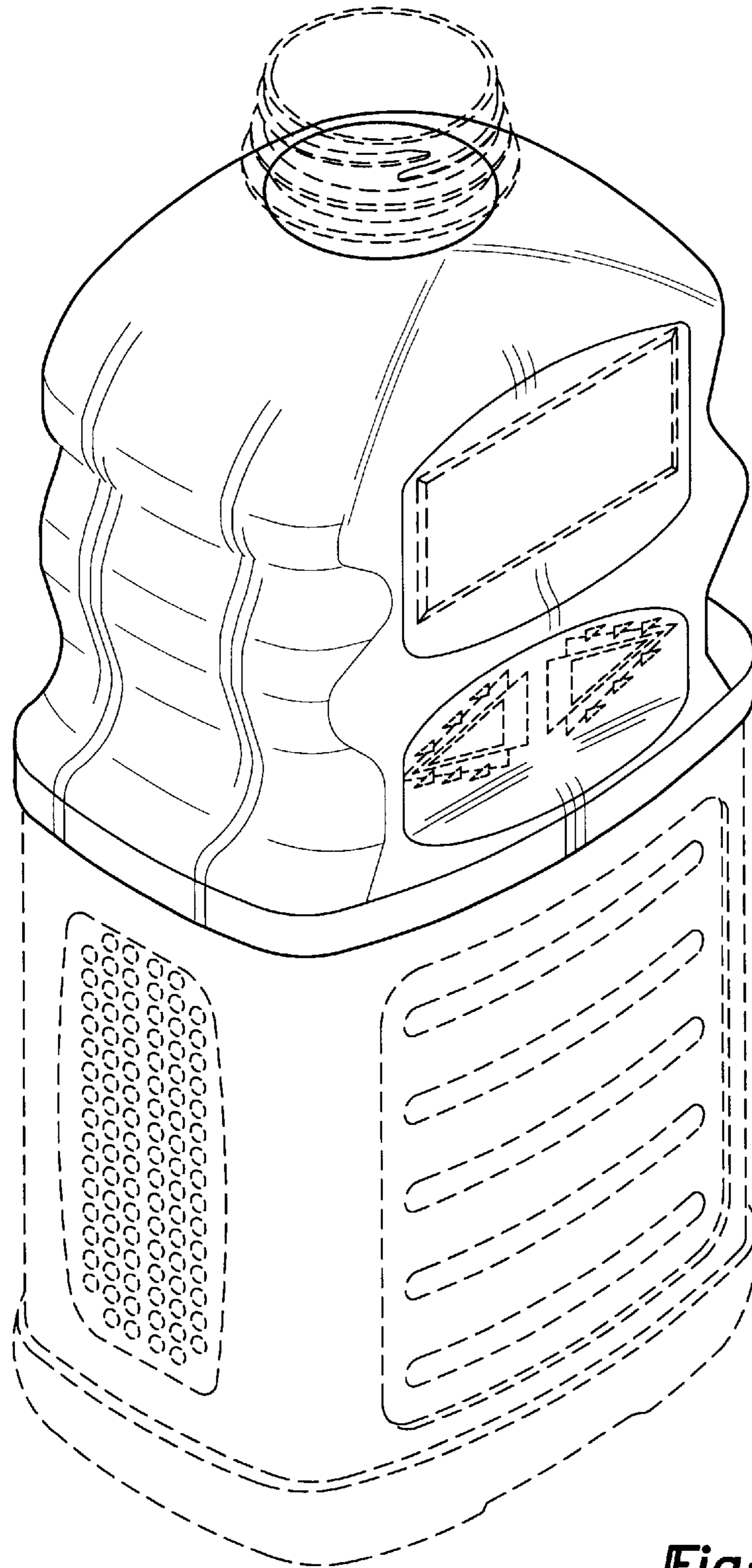
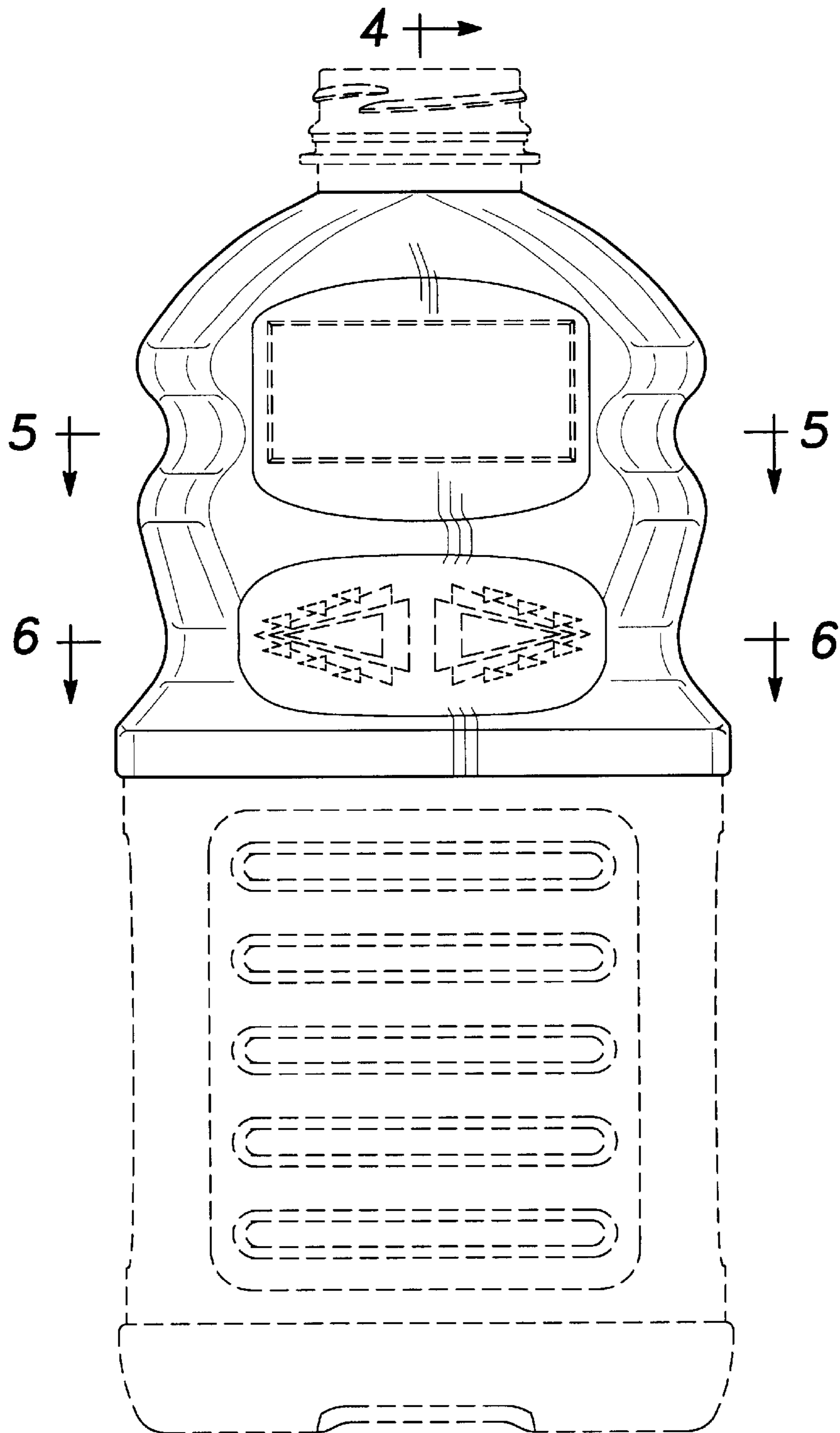


Fig-1



4 + →

Fig-2

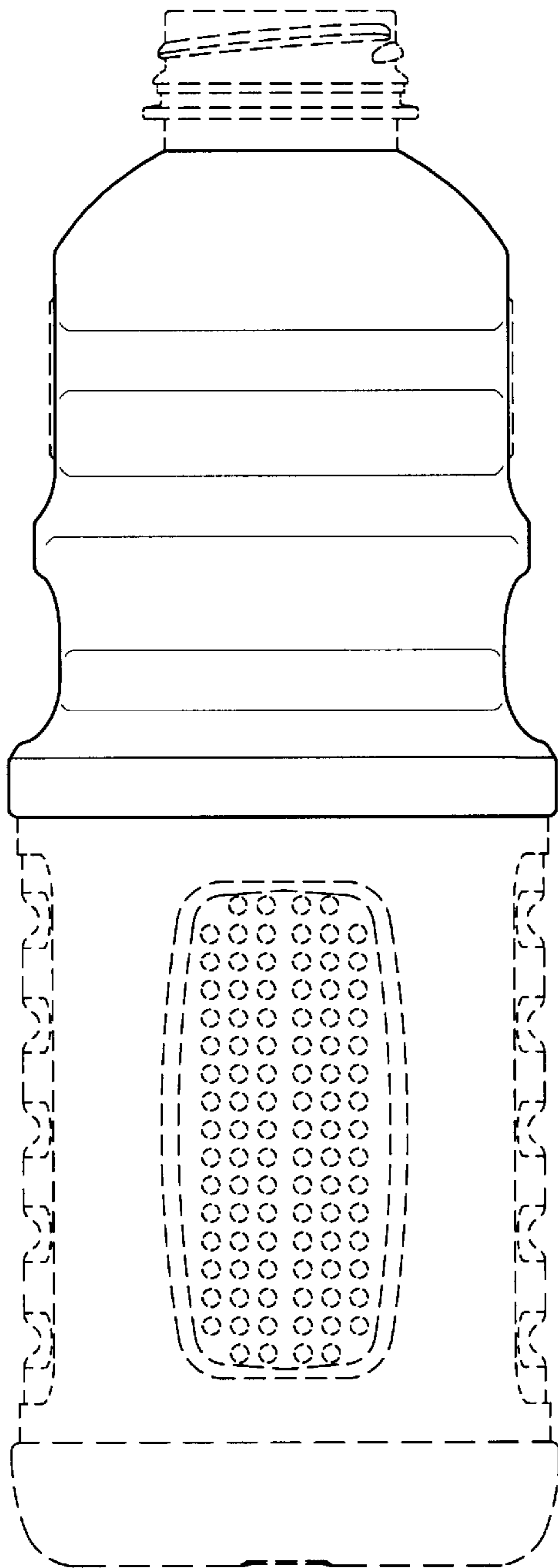


Fig-3

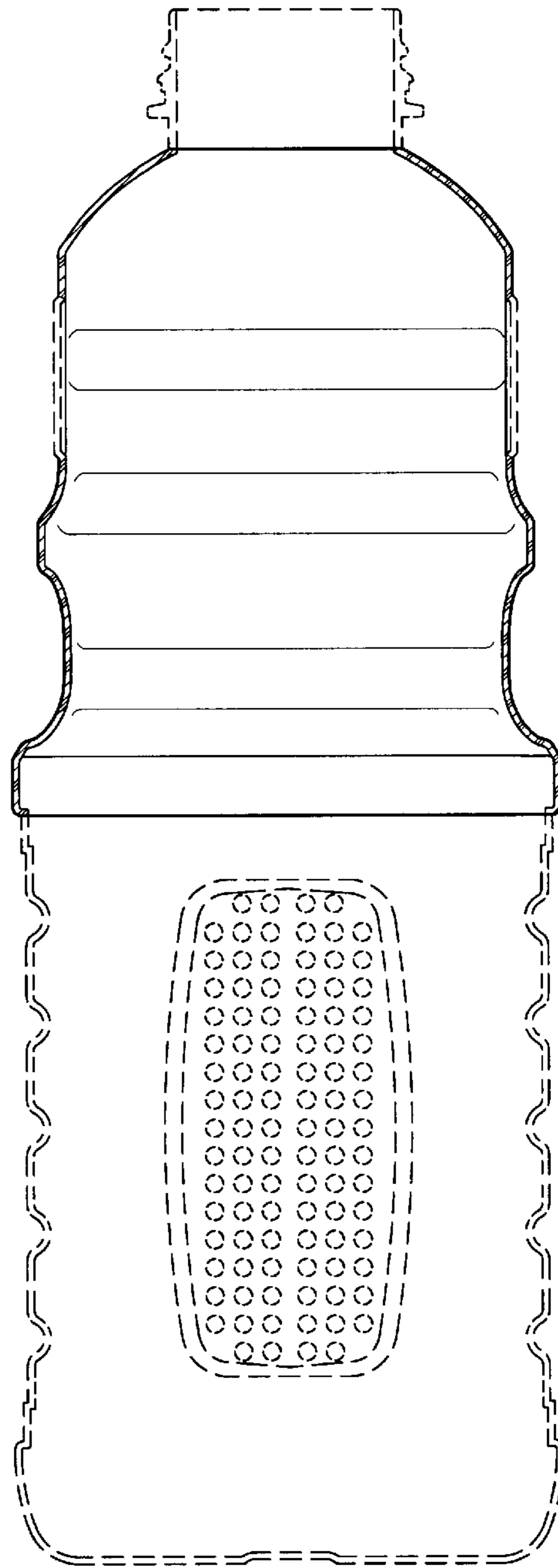


Fig-4

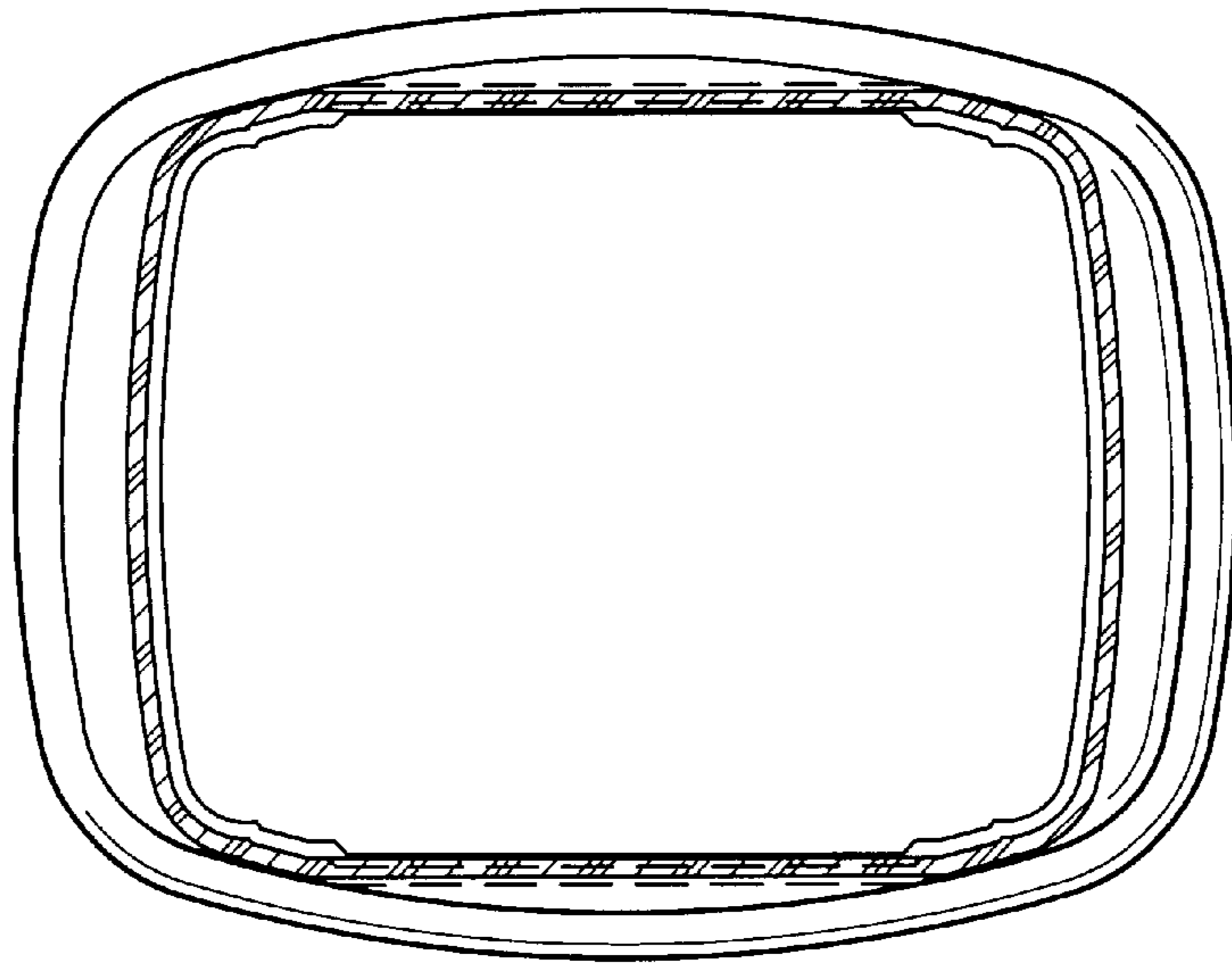


Fig-5

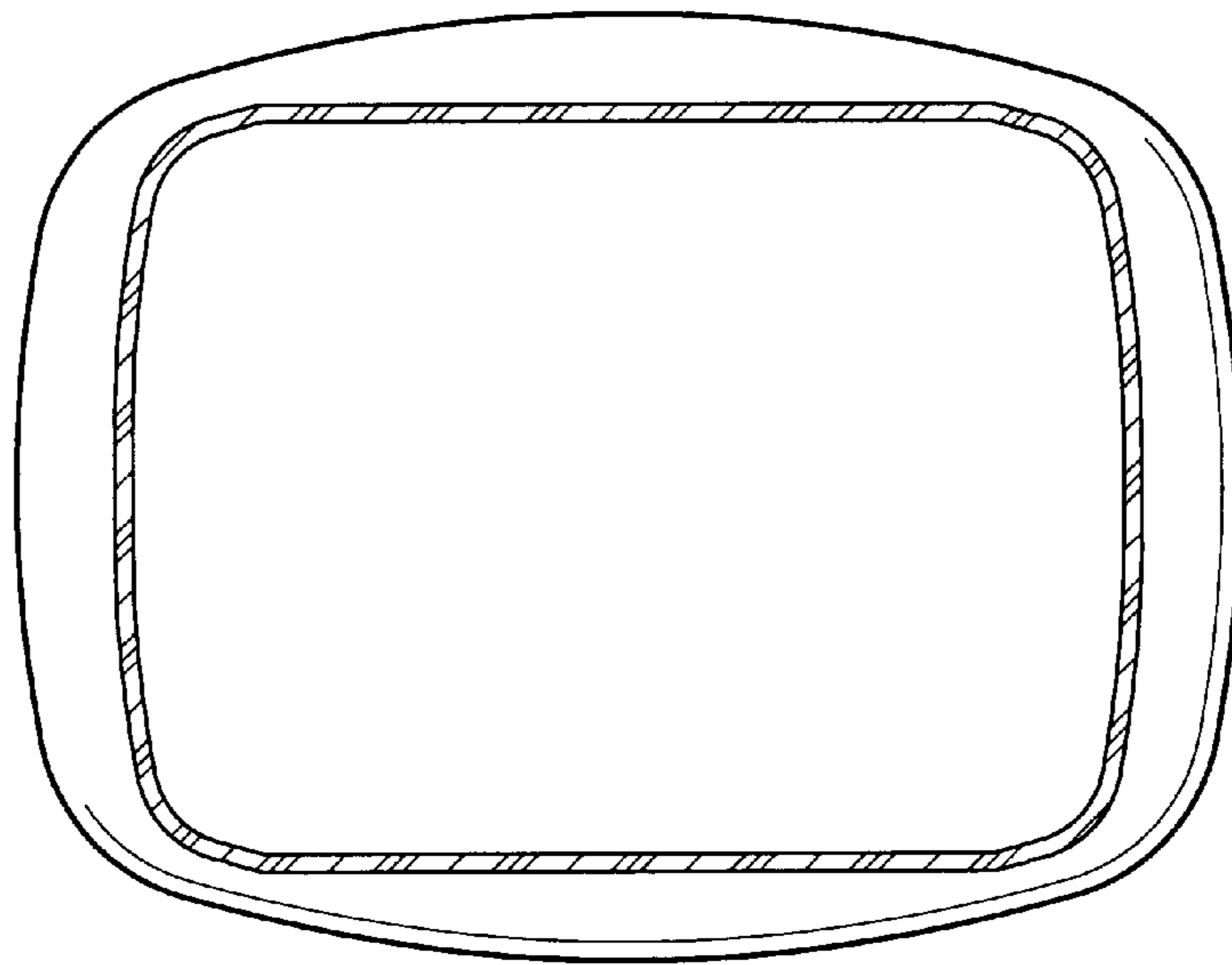


Fig-6