

US00D529384S

(12) **United States Design Patent** (10) **Patent No.:** **US D529,384 S**
van der Heijden et al. (45) **Date of Patent:** **** Oct. 3, 2006**

(54) **DISPENSER FOR LIQUID SOAP**
 (75) Inventors: **Edgar van der Heijden**, Broek op Langedijk (NL); **Marcus Cornelis Jacobus Tepas**, Callantsoog (NL); **Peter Jozef Jan Albertz**, Haarlem (NL)

(73) Assignee: **Airspray International B.V.**, Alkmaar (NL)

(**) Term: **14 Years**

(21) Appl. No.: **29/251,258**

(22) Filed: **Jan. 5, 2006**

(30) **Foreign Application Priority Data**

Jul. 5, 2005 (EM) 000368097

(51) **LOC (8) Cl.** **09-07**

(52) **U.S. Cl.** **D9/448**

(58) **Field of Classification Search** D9/682,
 D9/549, 529, 450, 449, 448, 447, 440, 435;
 D7/587, 558, 555, 554.4, 554.2, 553.6, 553.1,
 D7/550.1; D6/550, 542, 536; D23/254, 250,
 D23/249; 222/562, 402.13, 402.1, 385, 383.1,
 222/372, 321.7, 321.3, 320, 153.13

See application file for complete search history.

(56) **References Cited**

U.S. PATENT DOCUMENTS

5,615,806 A * 4/1997 Grothoff 222/153.13

D398,529 S * 9/1998 Mascitelli D9/448
 D452,822 S 1/2002 Boshuizen et al.
 D470,043 S * 2/2003 Crawford D9/682

* cited by examiner

Primary Examiner—Robert M. Spear
Assistant Examiner—Susan Bennett Hattan
 (74) *Attorney, Agent, or Firm*—Hoffmann & Baron, LLP

(57) **CLAIM**

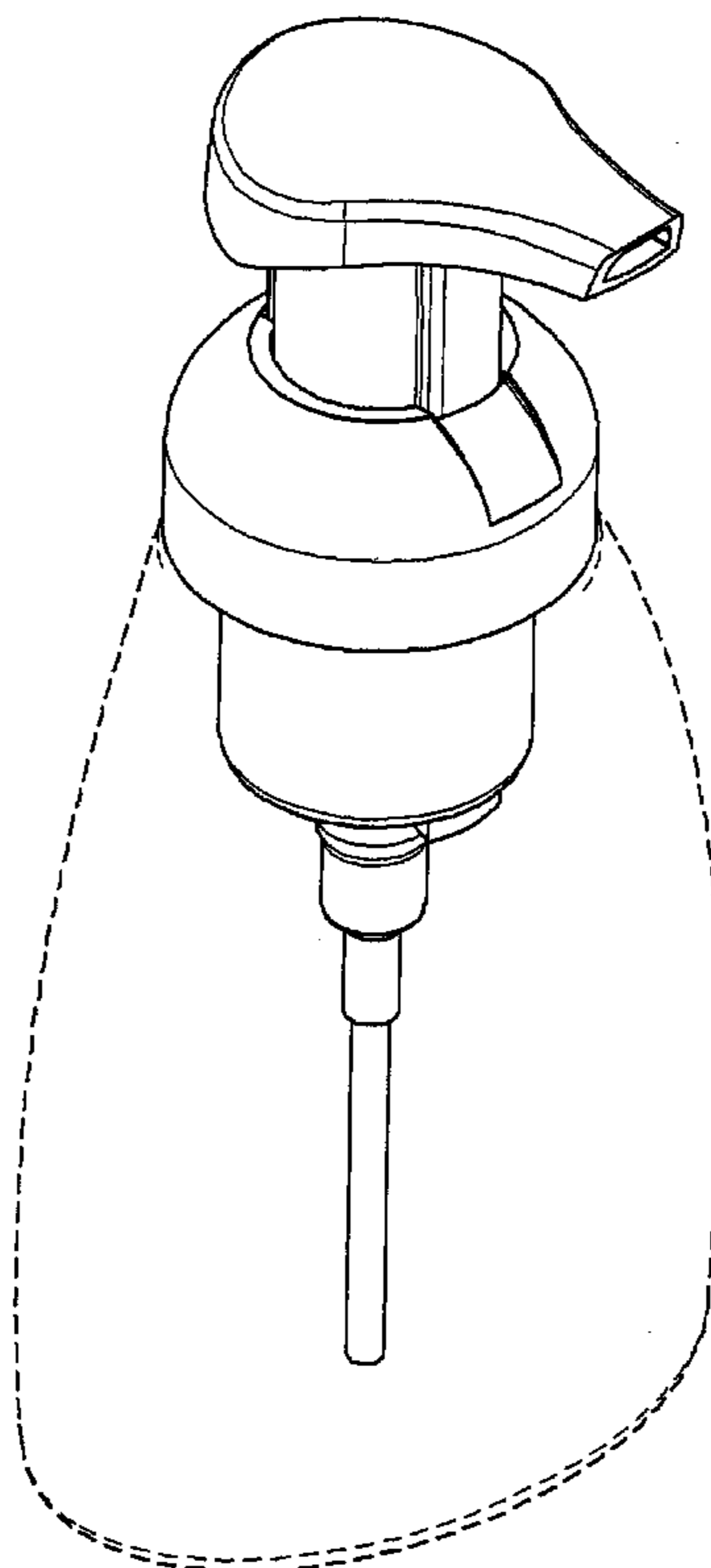
The ornamental design for a dispenser for liquid soap, as shown and described.

DESCRIPTION

FIG. 1 is a perspective view of a dispenser for liquid soap showing our new design;
 FIG. 2 is a front elevation view thereof;
 FIG. 3 is a side elevation view thereof;
 FIG. 4 is a rear elevation view thereof;
 FIG. 5 is a top view thereof;
 FIG. 6 is another perspective view of the embodiment of FIG. 1 showing the spout in a second orientation; and,
 FIG. 7 is a front elevation view showing the spout in the orientation of FIG. 6.

The subject matter shown in broken lines is for illustrative purposes only and forms no part of the claimed design. The bottom views (not shown) form no part of the claimed design.

1 Claim, 7 Drawing Sheets



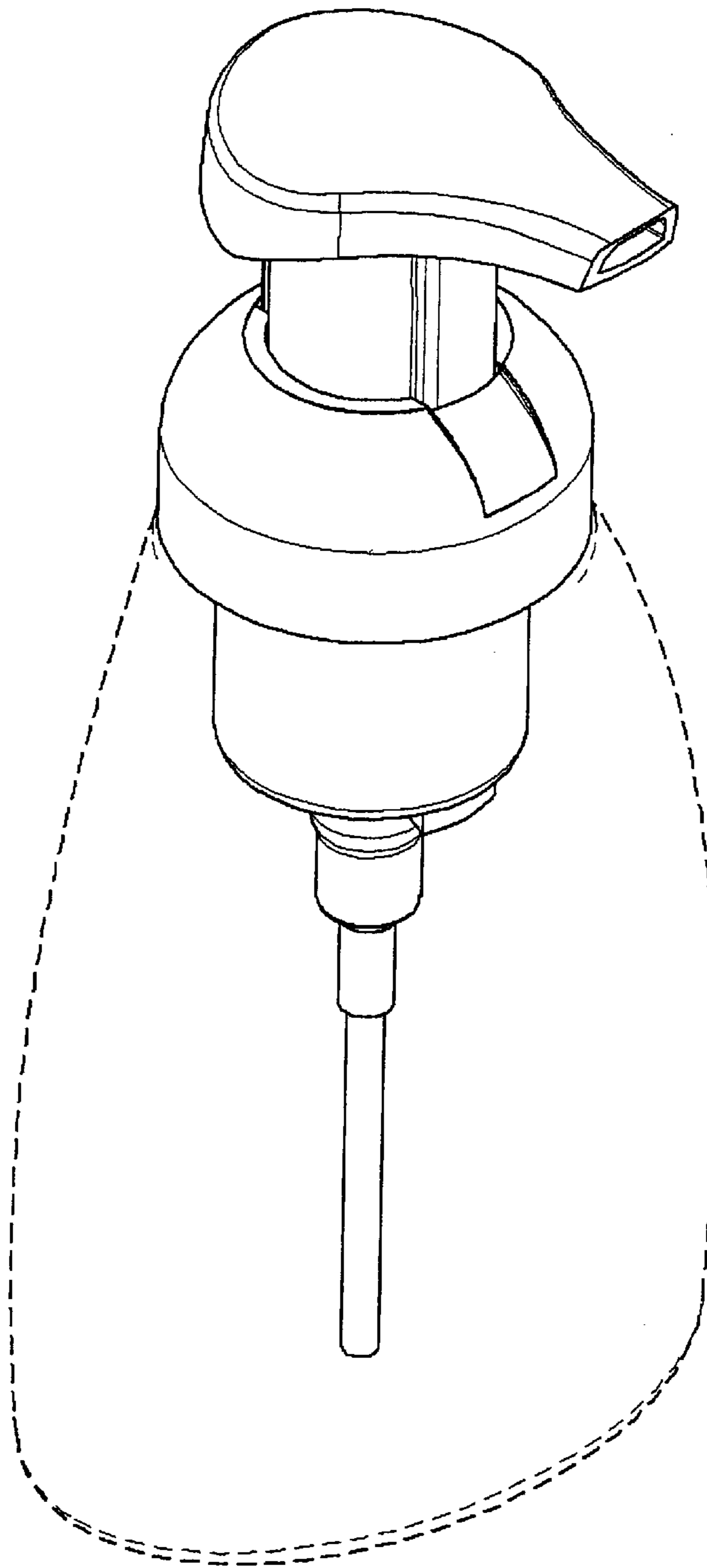


Fig. 1

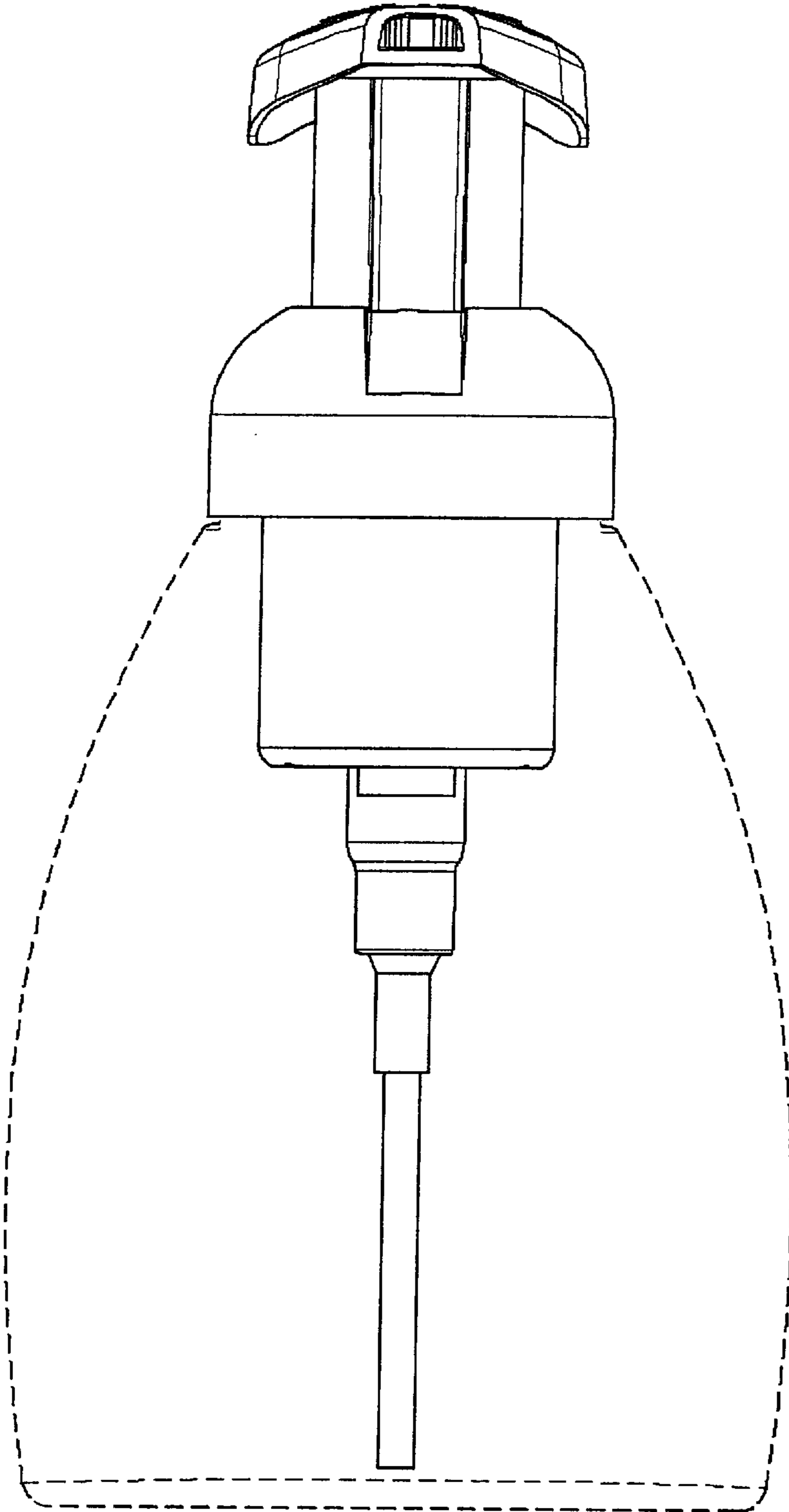


Fig. 2

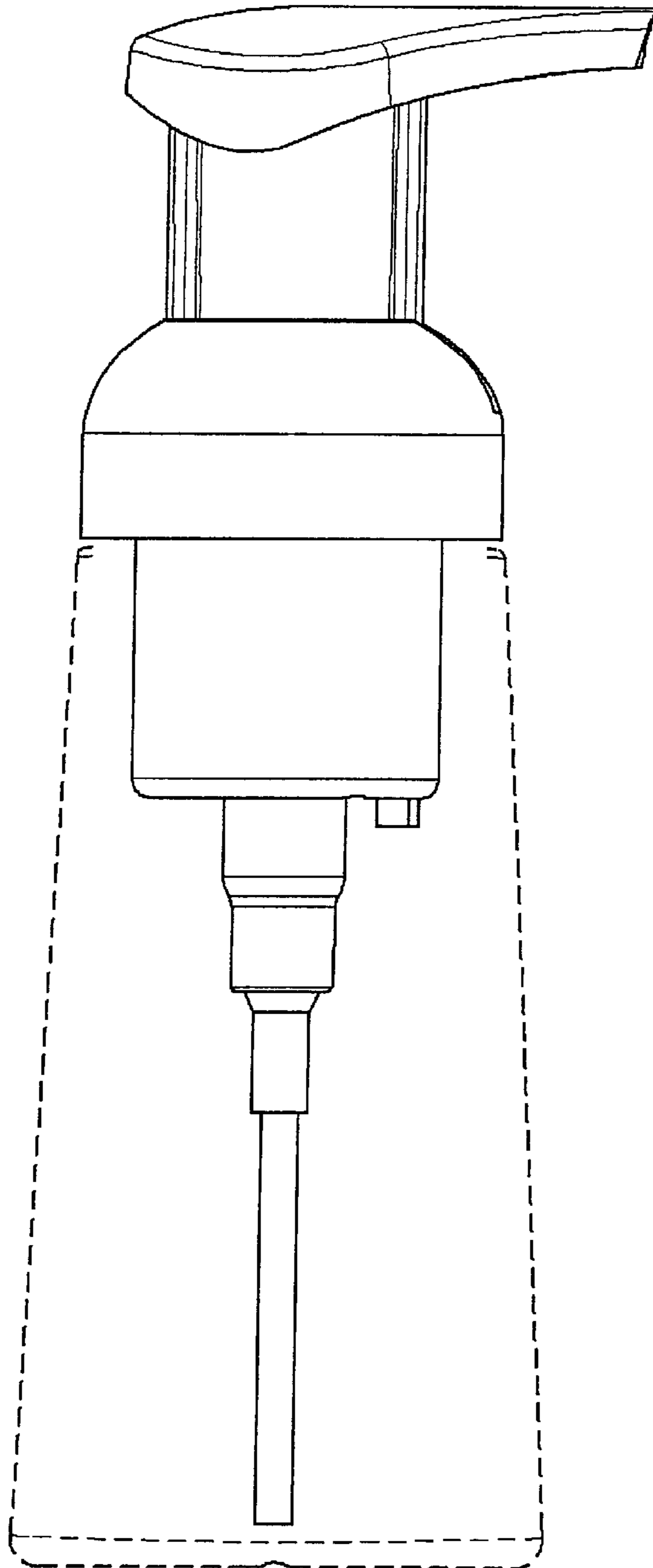


Fig. 3

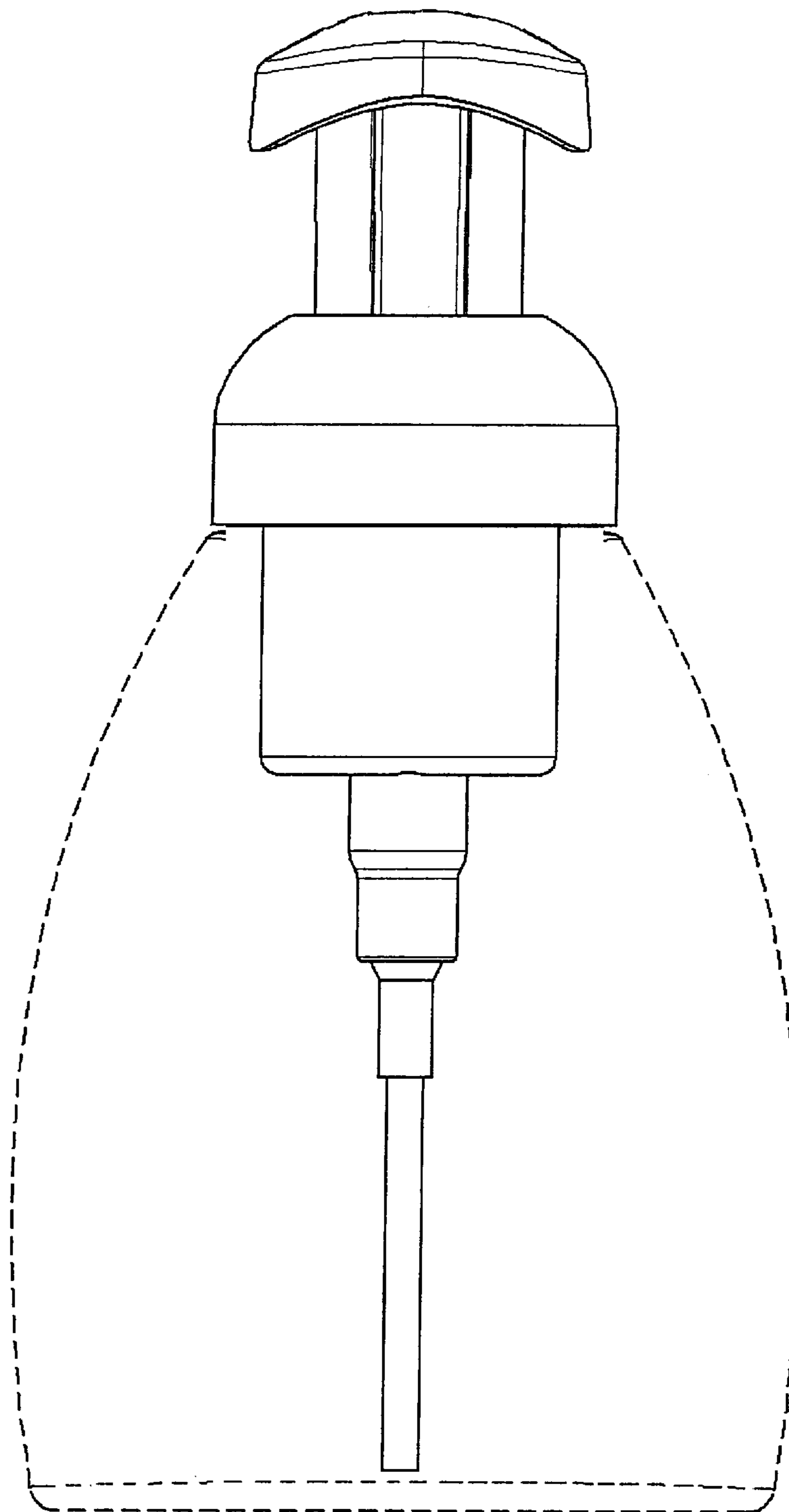


Fig. 4

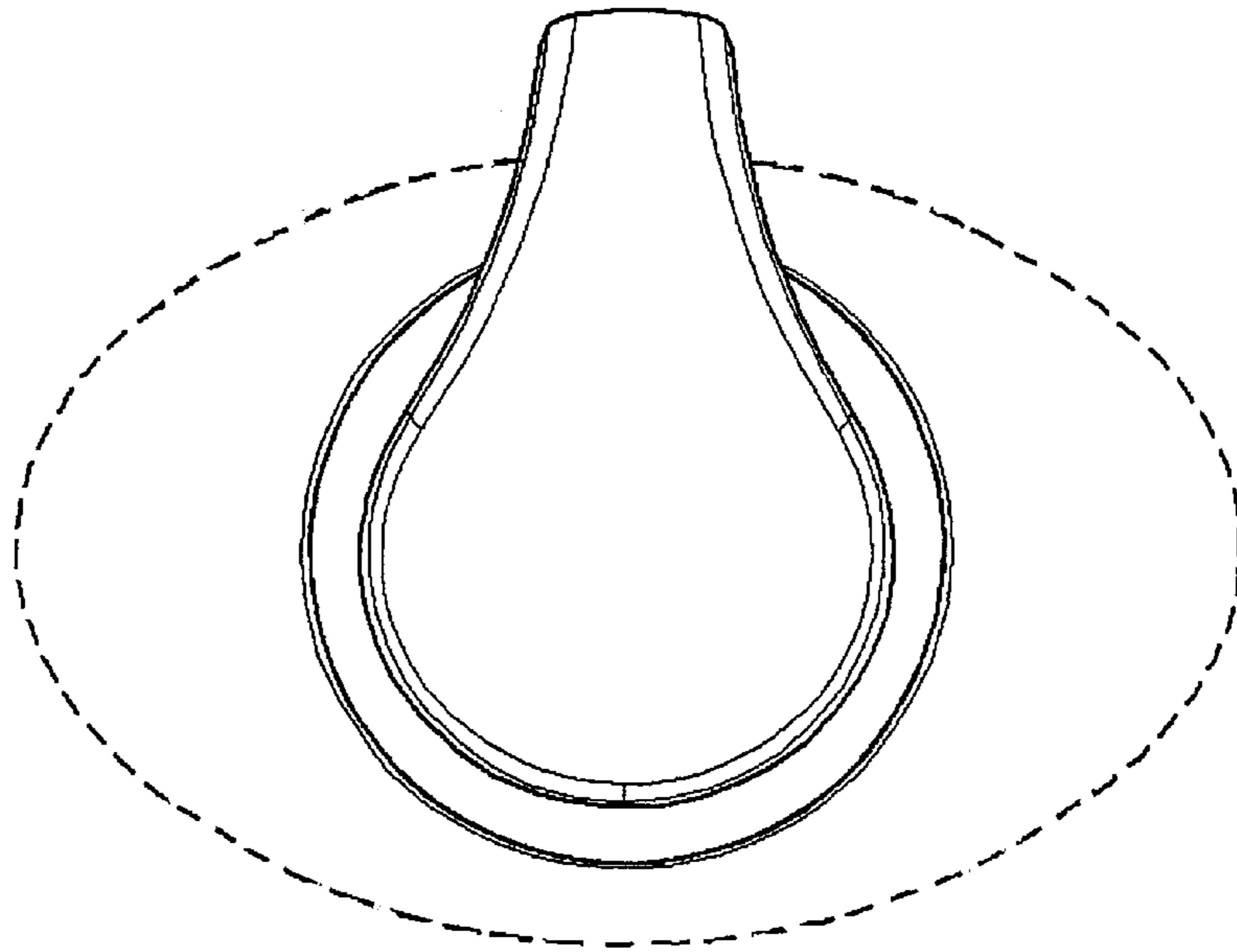


Fig. 5

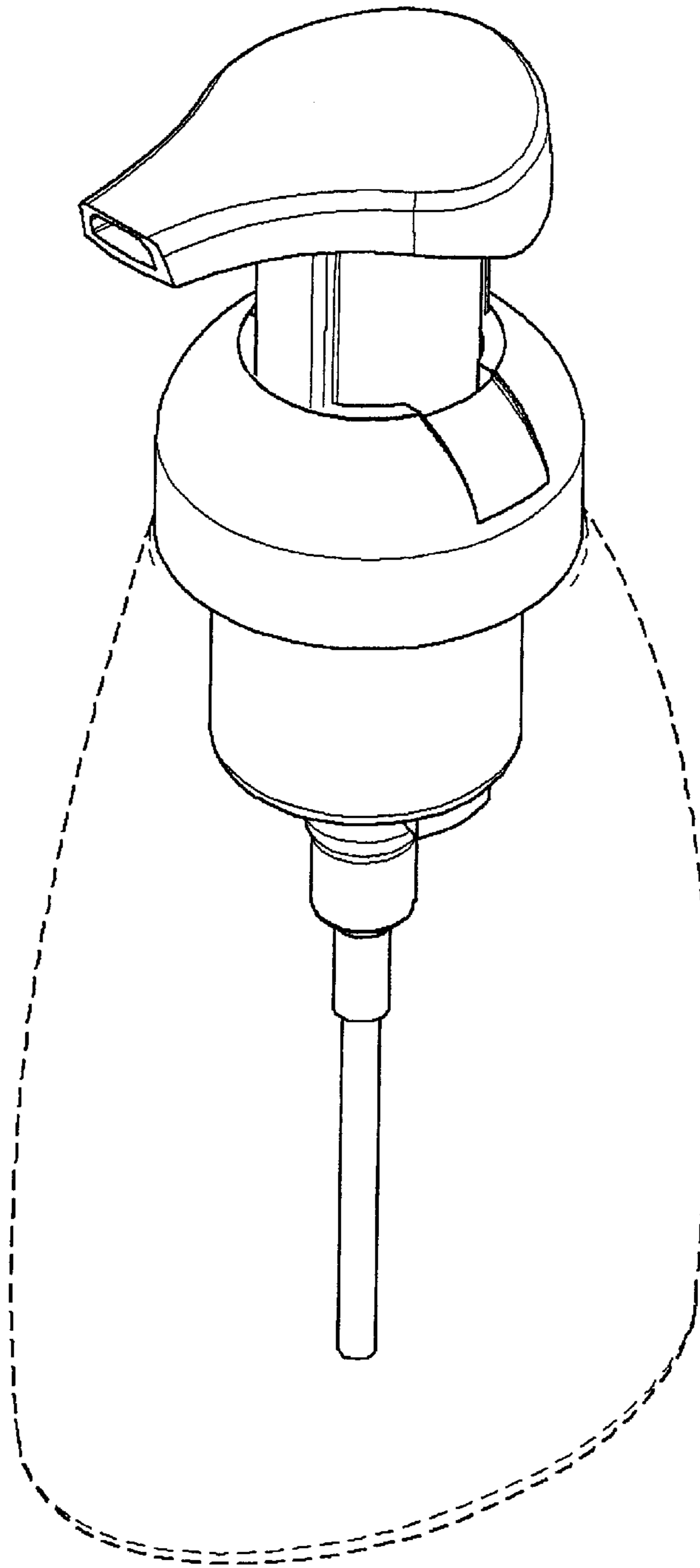


Fig. 6

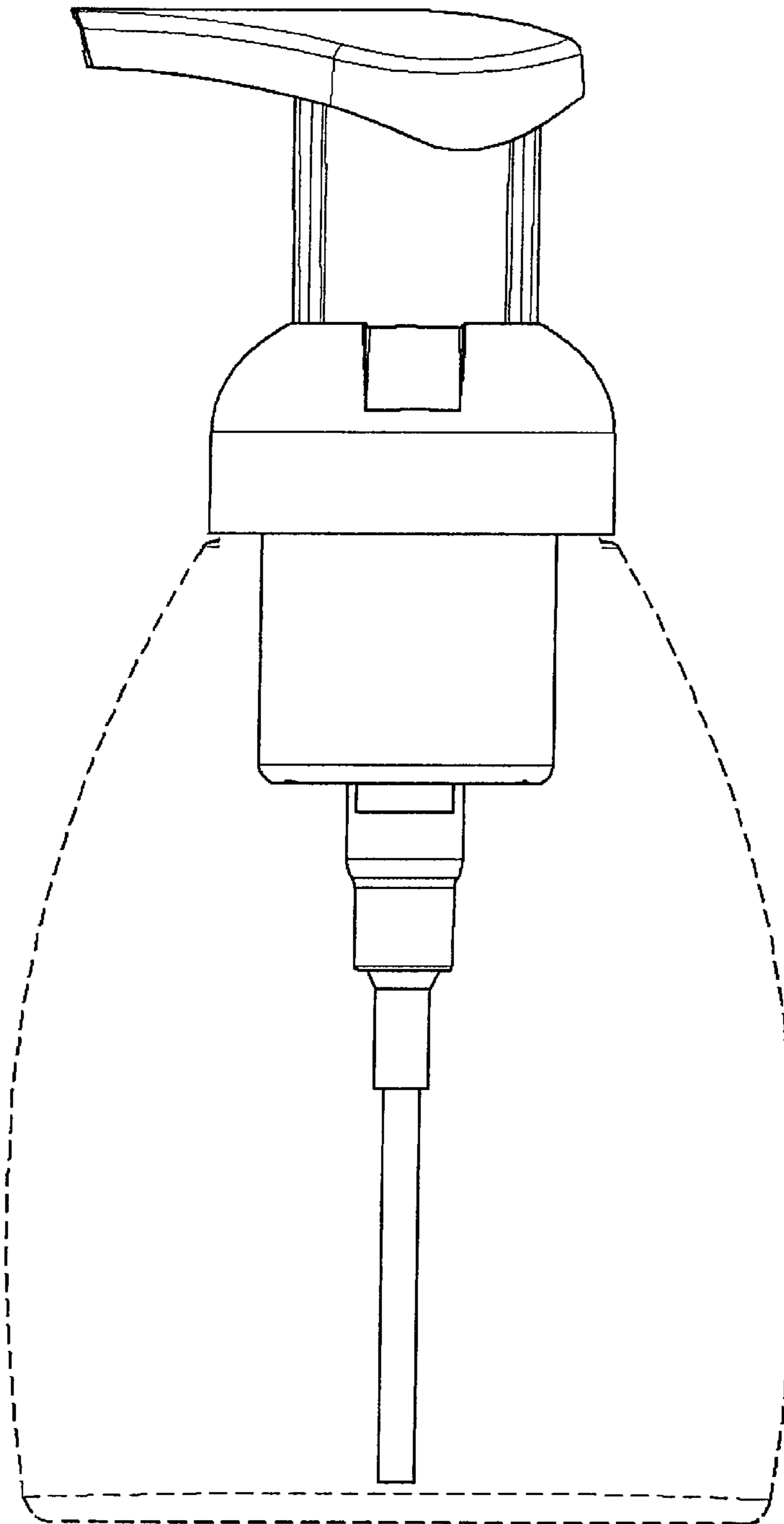


Fig. 7