



US00D529383S

(12) **United States Design Patent**
Haworth

(10) **Patent No.:** **US D529,383 S**

(45) **Date of Patent:** **** Oct. 3, 2006**

(54) **HOUSING ADAPTED TO COUPLE A SOAP PUMP TO A SOAP CONTAINER**

(75) Inventor: **Brian Haworth**, Voorburg (NL)

(73) Assignee: **JohnsonDiversey, Inc.**, Sturtevant, WI (US)

(**) Term: **14 Years**

(21) Appl. No.: **29/234,567**

(22) Filed: **Jul. 20, 2005**

(51) **LOC (8) Cl.** **09-07**

(52) **U.S. Cl.** **D9/448**

(58) **Field of Classification Search** D9/499,
D9/455, 454, 447, 440, 435, 434; D7/700,
D7/624.1, 619.1; 215/390, 376, 10; 141/364,
141/319, 310; D6/466, 457, 400; D3/219,
D3/206, 205

See application file for complete search history.

(56) **References Cited**

U.S. PATENT DOCUMENTS

D120,464 S	*	5/1940	Martin	D9/434
4,135,404 A	*	1/1979	Butler, Jr.	73/426
D310,123 S	*	8/1990	Carlson	D7/700
D359,683 S	*	6/1995	Beach	D9/434
D447,410 S	*	9/2001	Malmberg	D9/434
D507,744 S	*	7/2005	Hierzer et al.	D9/440

* cited by examiner

Primary Examiner—Robert M. Spear

Assistant Examiner—Susan Bennett-Hattan

(74) *Attorney, Agent, or Firm*—Gregory S. Bollis; James J. Sales; Renee J. Rymarz

(57) **CLAIM**

I claim the ornamental design for a housing adapted to couple a soap pump to a soap container, as shown and described.

DESCRIPTION

FIG. 1 is a perspective view of a housing adapted to couple a soap pump to a soap container showing my new design.

FIG. 2 is a side view of the housing shown in FIG. 1.

FIG. 3 is a front view of the housing shown in FIG. 1.

FIG. 4 is a bottom view of the housing shown in FIG. 1.

FIG. 5 is a top view of the housing shown in FIG. 1.

FIG. 6 is a cross-sectional view of the housing shown in FIG. 1 with the cross-section taken along line 6—6 of FIG. 1.

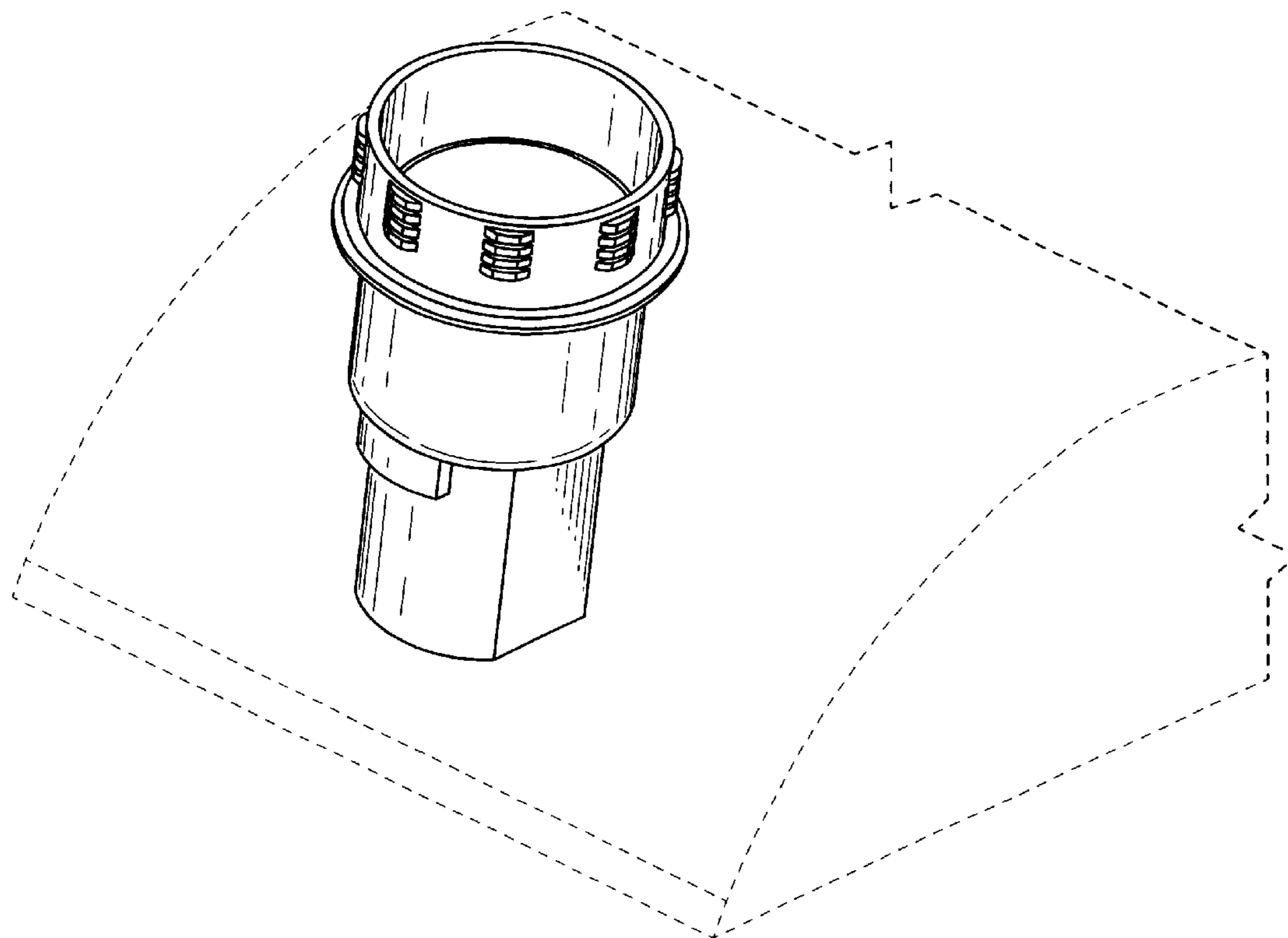
FIG. 7 is a cross-sectional view of the housing shown in FIG. 1 with the cross-section taken along line 7—7 of FIG. 1.

2. The housing is shown coupling one particular type of soap pump to a container of soap; and,

FIG. 7 is a cross-sectional view of the housing shown in FIG. 1 with the cross-section taken along line 7—7 of FIG. 2.

The broken line showing of a soap container and soap pump is for illustrative purposes only and forms no part of the claimed design.

1 Claim, 5 Drawing Sheets



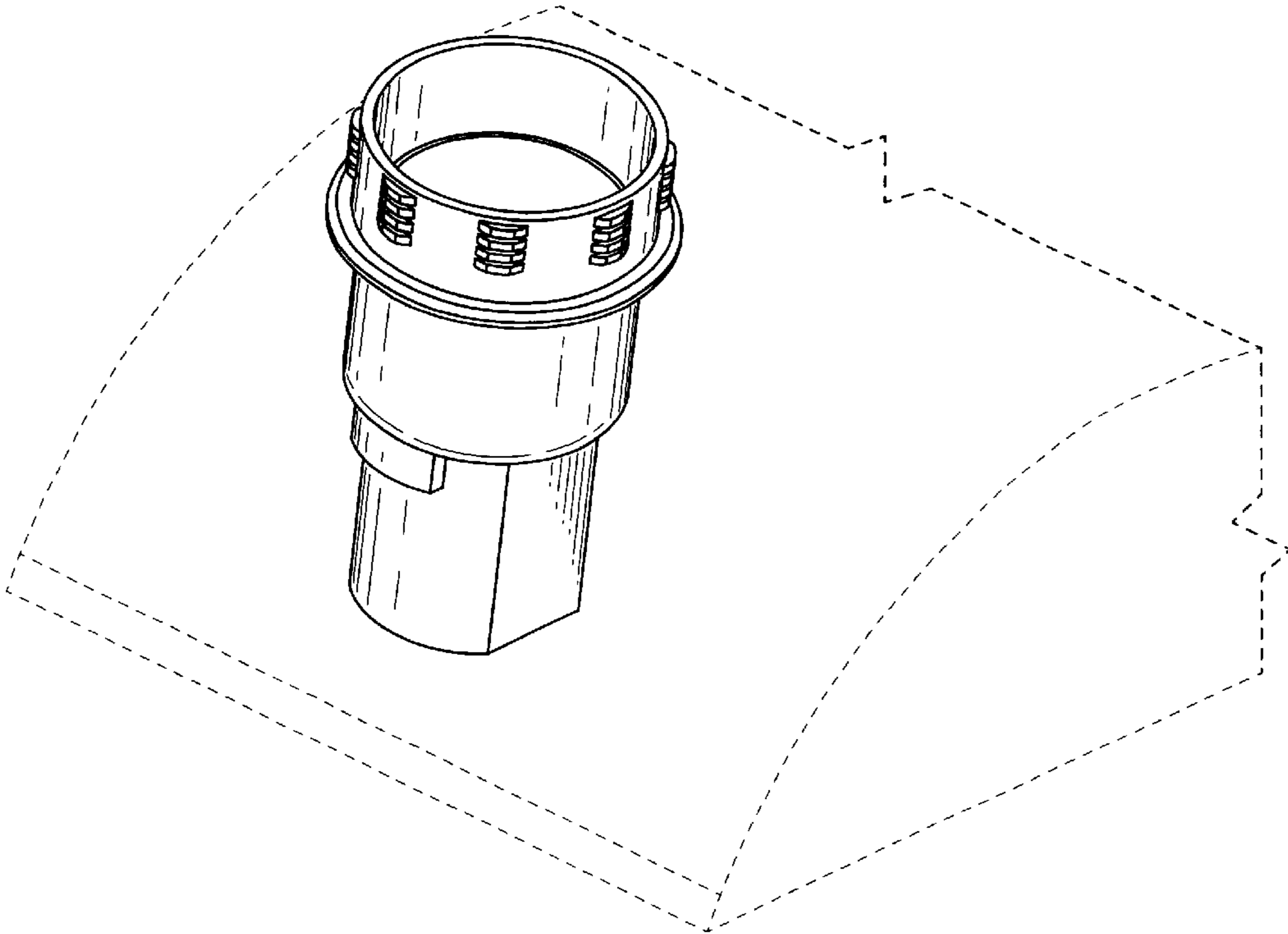


FIG. 1

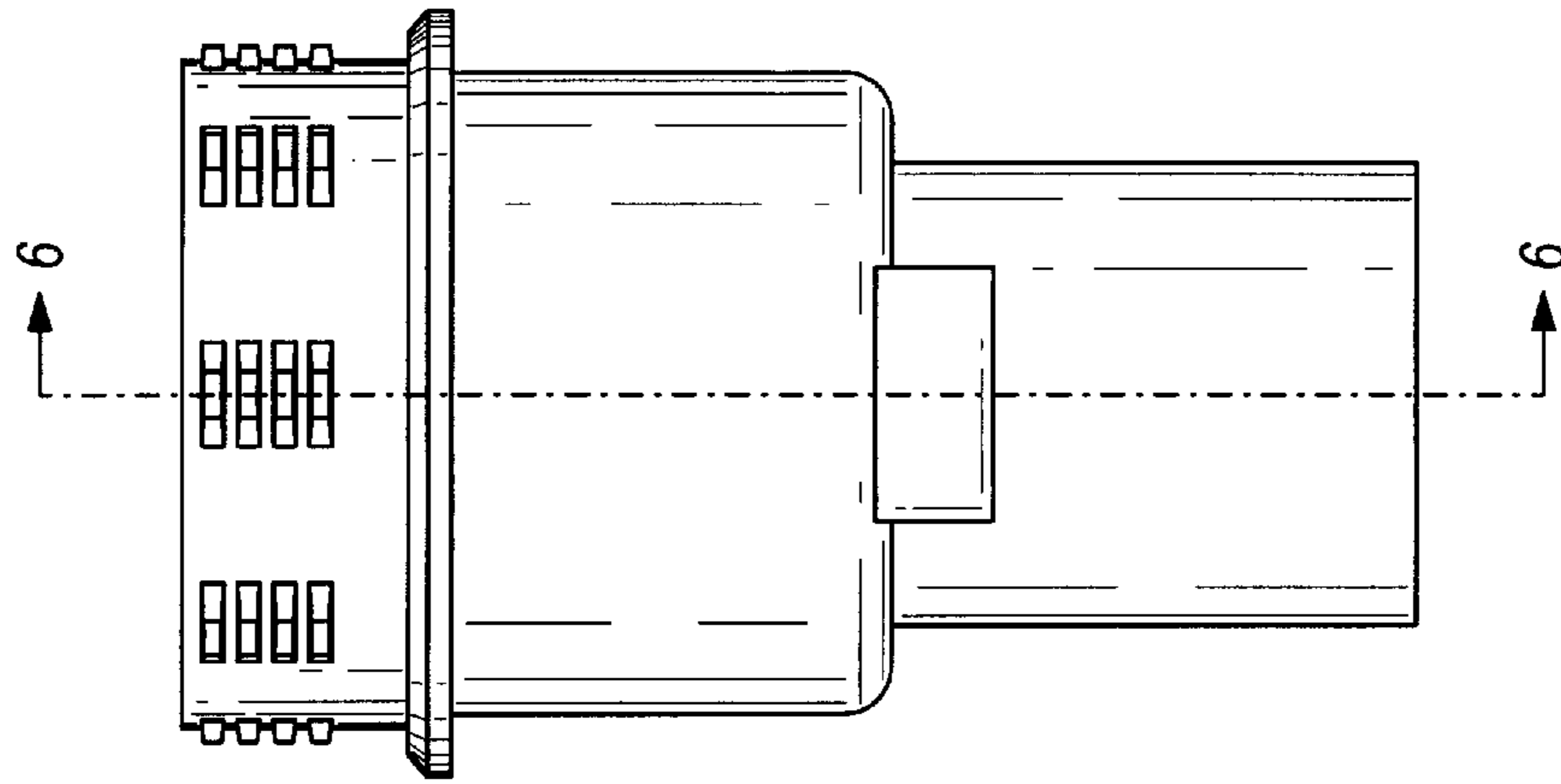


FIG. 3

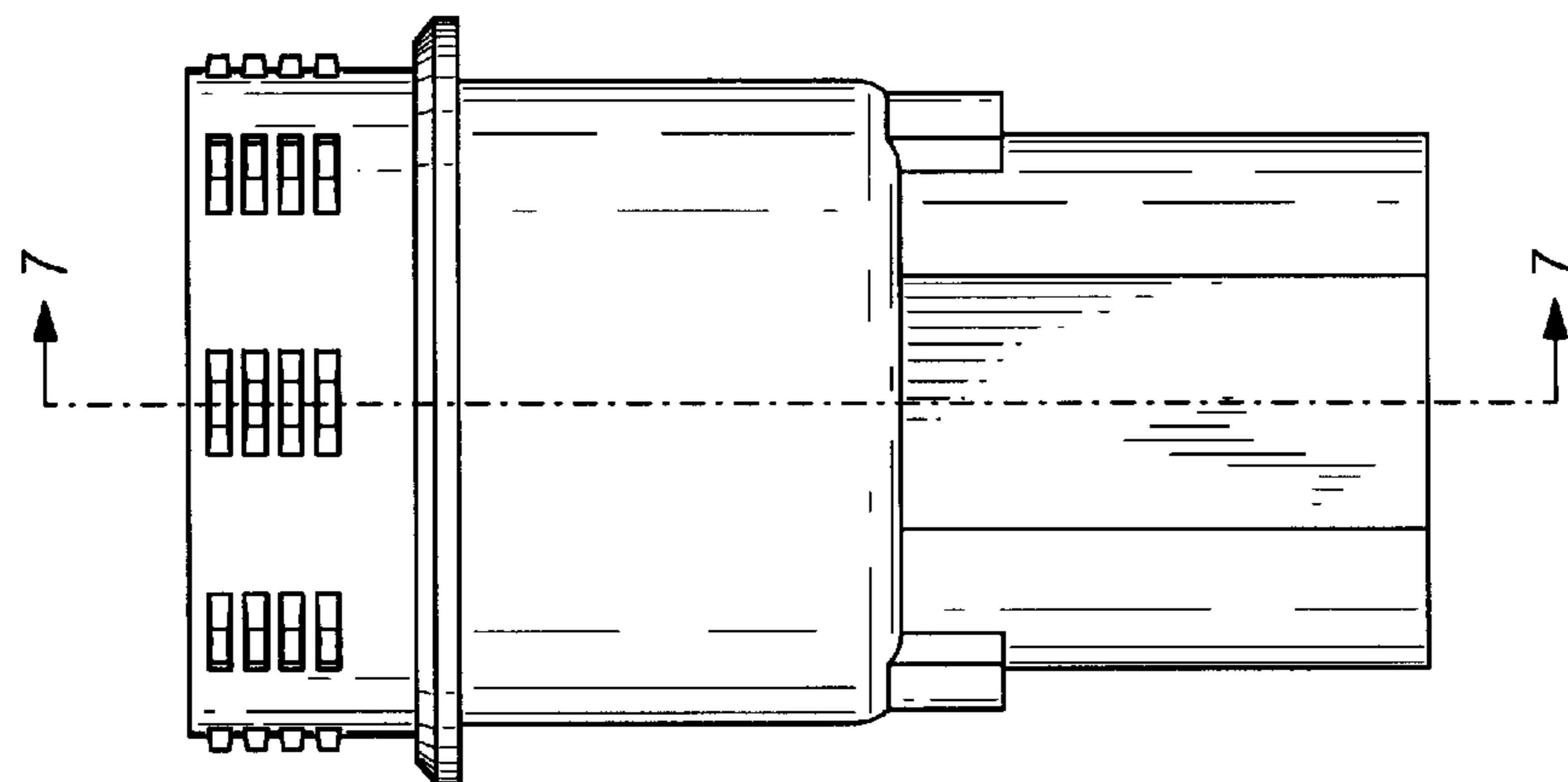


FIG. 2

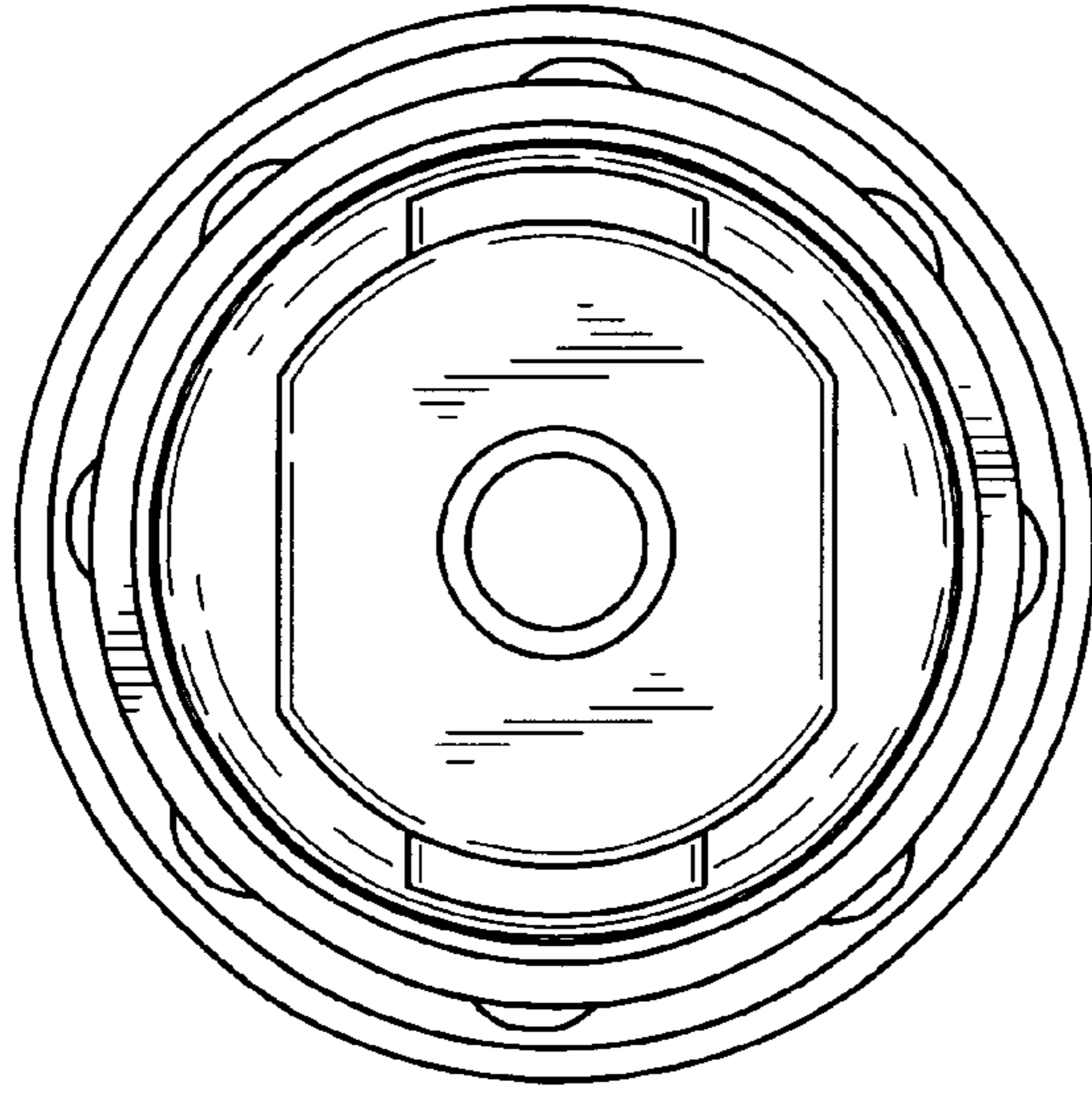


FIG. 5

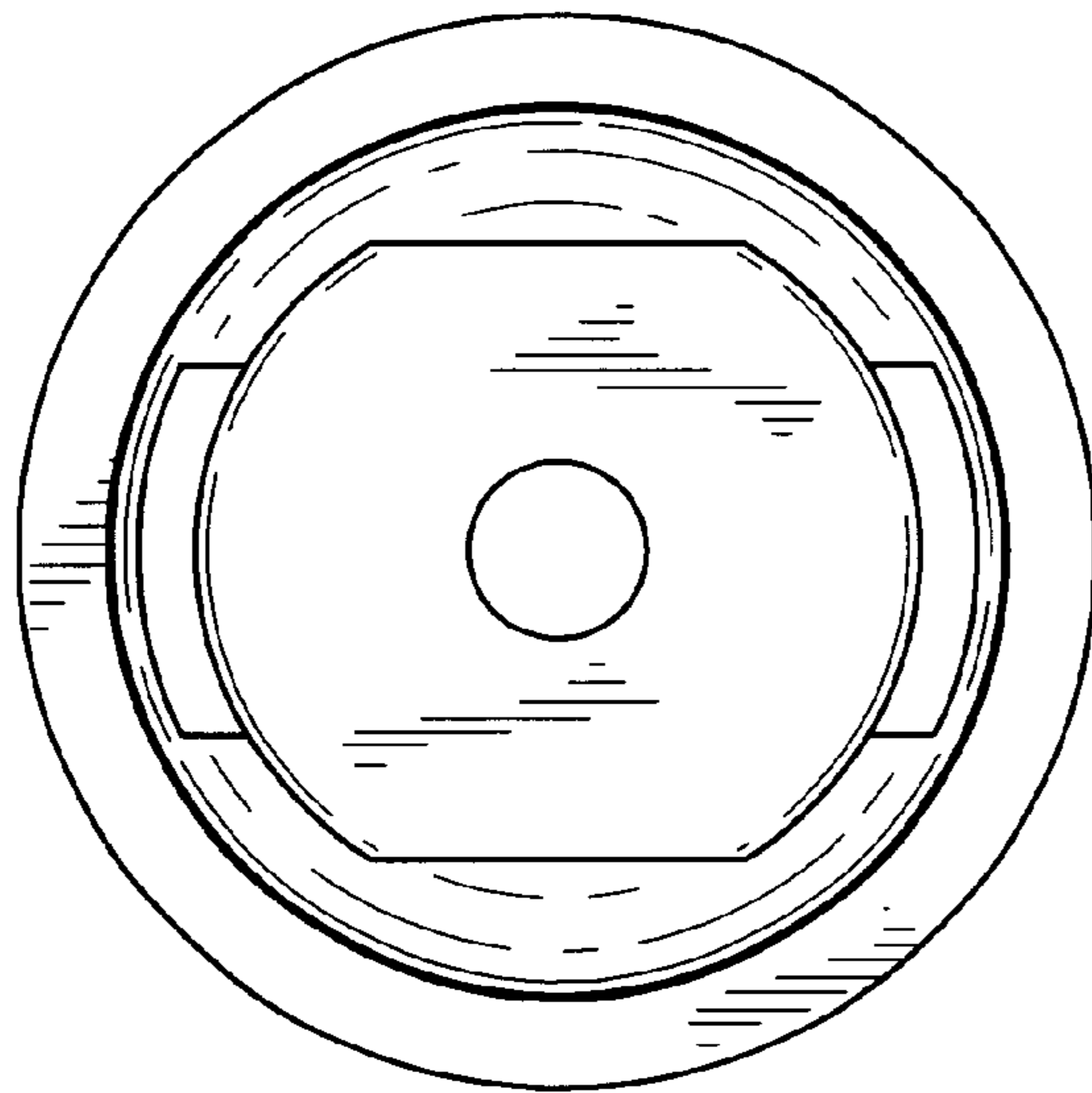


FIG. 4

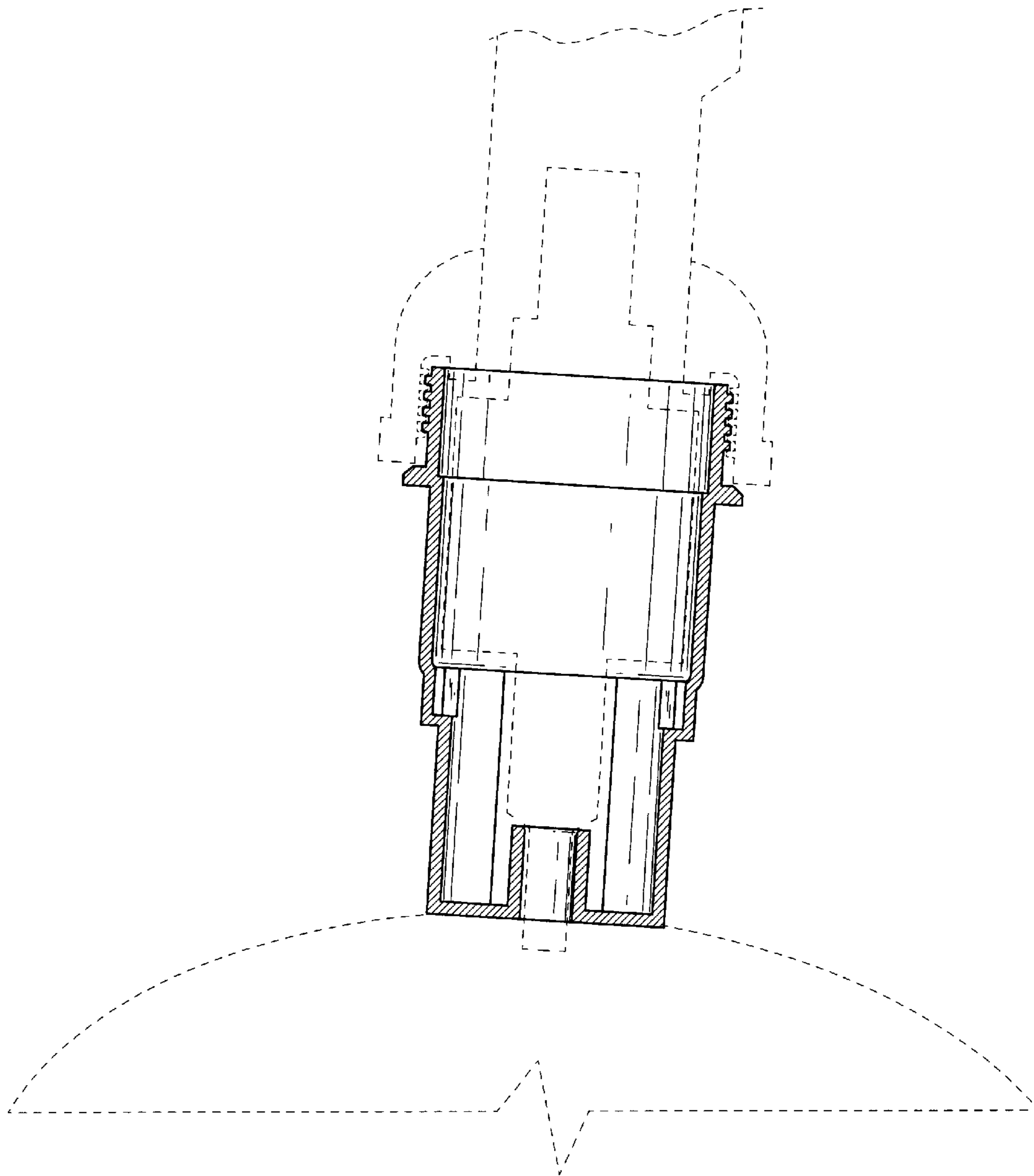


FIG. 6

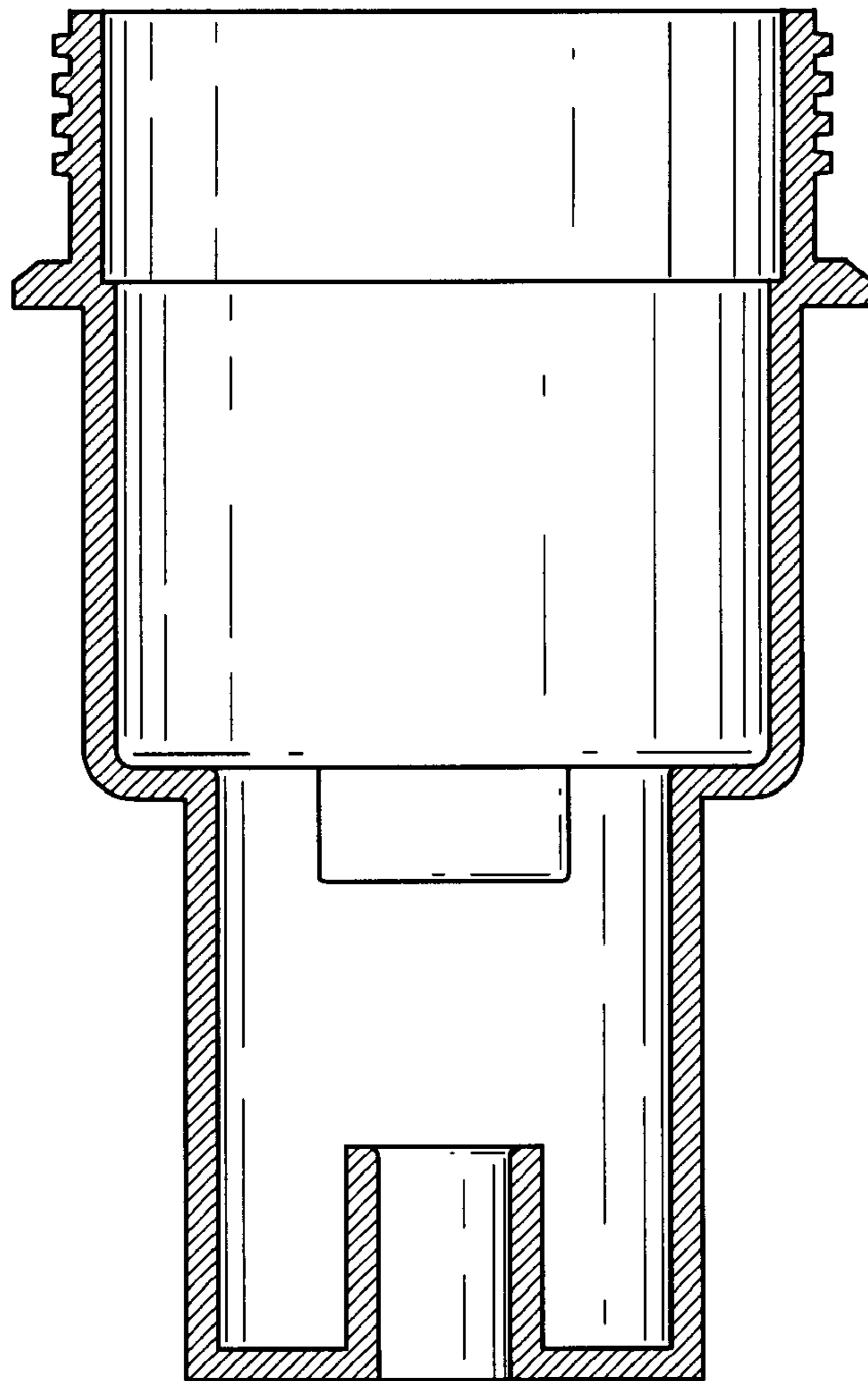


FIG. 7