



US00D529382S

(12) **United States Design Patent**
Mineau

(10) **Patent No.:** **US D529,382 S**

(45) **Date of Patent:** **** Oct. 3, 2006**

- (54) **ACTUATOR CAP**
 - (75) Inventor: **Steven B. Mineau**, Racine, WI (US)
 - (73) Assignee: **S.C. Johnson & Son, Inc.**, Racine, WI (US)
 - (**) Term: **14 Years**
 - (21) Appl. No.: **29/227,839**
 - (22) Filed: **Apr. 15, 2005**
 - (51) **LOC (8) Cl.** **09-07**
 - (52) **U.S. Cl.** **D9/448**
 - (58) **Field of Classification Search** D9/728,
D9/689, 688, 686, 529, 509, 504, 502, 501,
D9/452, 448, 447, 445, 444; 222/635, 631,
222/630, 546, 402.23, 402.22, 402.11, 402.1,
222/153.1
- See application file for complete search history.

3,907,175 A	9/1975	Haas	222/402.13
3,915,353 A	10/1975	Haas	222/402.1
3,946,911 A	3/1976	Morane et al.	222/402.11
3,954,208 A *	5/1976	Brill	222/402.23
3,987,942 A	10/1976	Morane et al.	222/402.15
4,013,231 A	3/1977	Van Veldhoven	239/579
4,024,995 A *	5/1977	Landen et al.	222/402.11
4,077,548 A	3/1978	Beard	222/321
4,077,549 A	3/1978	Beard	222/321
4,087,027 A	5/1978	Haas	222/402.13
4,124,148 A	11/1978	Vieler et al.	222/321
4,132,359 A	1/1979	Nozawa	239/333
4,138,039 A	2/1979	Micallef	222/321
4,186,855 A	2/1980	Edman et al.	222/321
4,277,004 A	7/1981	Barlics	222/402
4,826,054 A	5/1989	Frutin	222/402.11
4,860,932 A	8/1989	Nagy	222/402.1
D309,716 S *	8/1990	Umekawa	D9/445
5,139,180 A	8/1992	Lucas	222/402.13
5,279,444 A	1/1994	Williams	222/1
5,287,998 A	2/1994	Smrt	222/402.1
D347,263 S	5/1994	Phillips	D23/231
5,307,959 A	5/1994	Bedore et al.	222/174

(56) **References Cited**

(Continued)

U.S. PATENT DOCUMENTS

FOREIGN PATENT DOCUMENTS

2,575,124 A	11/1951	Pollitt	222/162
2,673,008 A	3/1954	Ryan	222/162
2,766,913 A	10/1956	Wilshusen	222/394
2,941,700 A	6/1960	Gable	222/394
D196,685 S *	10/1963	Croyle	D9/448
3,127,065 A	3/1964	Stevenson	222/164
3,161,196 A	12/1964	Berkow	128/225
3,247,655 A	4/1966	Jacob	56/255
3,318,492 A	5/1967	Haas	222/402.11
D209,546 S *	12/1967	Weblin	D9/447
3,404,814 A	10/1968	Wakeman	222/402.13
3,516,424 A	6/1970	Eagle	132/148
D222,665 S *	11/1971	Lawton	D9/520
3,618,833 A	11/1971	Webster	222/402.22
3,648,905 A	3/1972	Kauder	222/402.21
3,739,941 A	6/1973	Ostrwosky et al.	
3,759,431 A	9/1973	Vos	222/402.22
3,760,988 A	9/1973	Ostrowsky	222/153
3,871,557 A	3/1975	Smrt	222/162
3,884,398 A	5/1975	McLaughlin	222/402.13
3,884,399 A	5/1975	Matern	222/402.13
3,888,392 A	6/1975	Van Coney	

EP	0641727 A2	8/1994	83/14
WO	WO 01/26995	4/2001	
WO	WO 03/024836	3/2003	83/16

Primary Examiner—Roberta M. Spear
Assistant Examiner—Susan Bennett Hattan

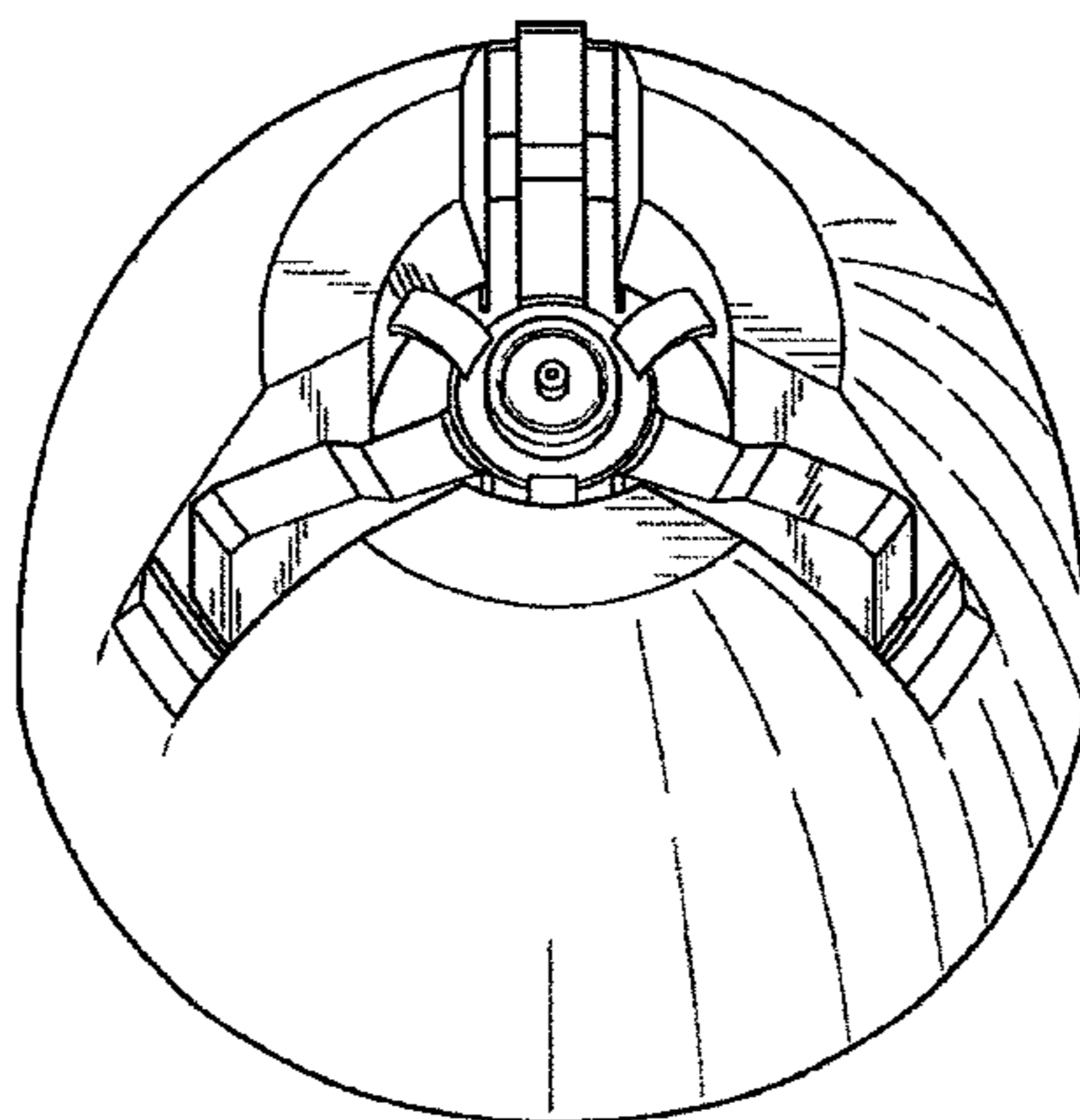
(57) **CLAIM**

The ornamental design for an actuator cap, as shown and described.

DESCRIPTION

FIG. 1 is an isometric view of an actuator cap according to the present invention;
FIG. 2 is a first side elevational view thereof;
FIG. 3 is a second side elevational view thereof;
FIG. 4 is a third side elevational view thereof; and,
FIG. 5 is a plan view thereof.

1 Claim, 3 Drawing Sheets



US D529,382 S

Page 2

U.S. PATENT DOCUMENTS

5,310,096	A	5/1994	Rogers et al.	222/402.13	D432,916	S	*	10/2000	Drinkwater et al.	D9/447
5,335,832	A	8/1994	de Laforcade	222/402.13	6,299,032	B1		10/2001	Hamilton	222/402.15
5,358,147	A	10/1994	Adams et al.	222/183	6,321,742	B1		11/2001	Schmidt et al.	126/38
5,411,184	A	5/1995	Smrt	222/402.13	6,340,103	B1		1/2002	Scheindel et al.	222/402.15
D359,974	S	*	7/1995	van de Loo	D16/202	6,386,397	B1	5/2002	Brotspies et al.	222/321.6
5,518,148	A	5/1996	Smrt	222/174	6,390,336	B1		5/2002	Orozco	222/162
D382,805	S	*	8/1997	Knickerbocker	D9/445	6,543,653	B1	4/2003	Lamboux	222/321.8
5,702,036	A	12/1997	Ferrara, Jr.	222/402.13	6,551,001	B1		4/2003	Aberegg et al.	401/190
5,743,431	A	4/1998	Brattesani	222/1	D474,403	S		5/2003	Fahy et al.	D9/448
5,875,926	A	3/1999	Schwartz	222/79	6,588,631	B1		7/2003	Sanchez	222/402.13
5,915,599	A	6/1999	Takahashi	222/402.13	D509,139	S	*	9/2005	Healy et al.	D9/448
5,971,226	A	10/1999	Goncalves	222/321.6	2004/0028458	A1		2/2004	Heathcock et al.	401/190
5,992,707	A	11/1999	Gaichuk	222/402.13	2004/0188473	A1		9/2004	Groh et al.	222/402.13
6,003,739	A	12/1999	Bartlett et al.	222/402.1	2004/0222245	A1		11/2004	Marroncles	222/402.13
6,004,056	A	12/1999	De Laforcade	401/190							

* cited by examiner

FIG. 1

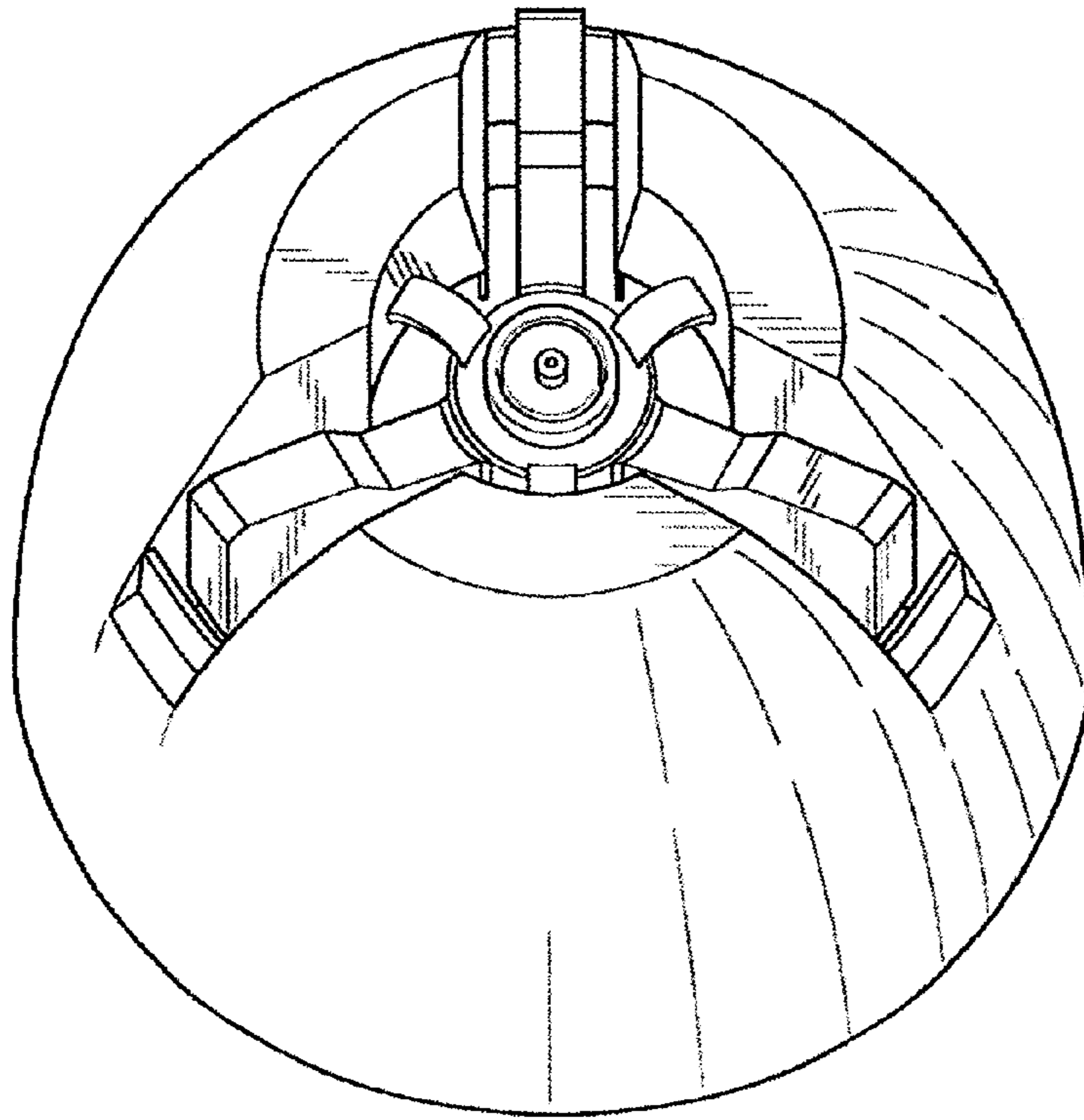


FIG. 2

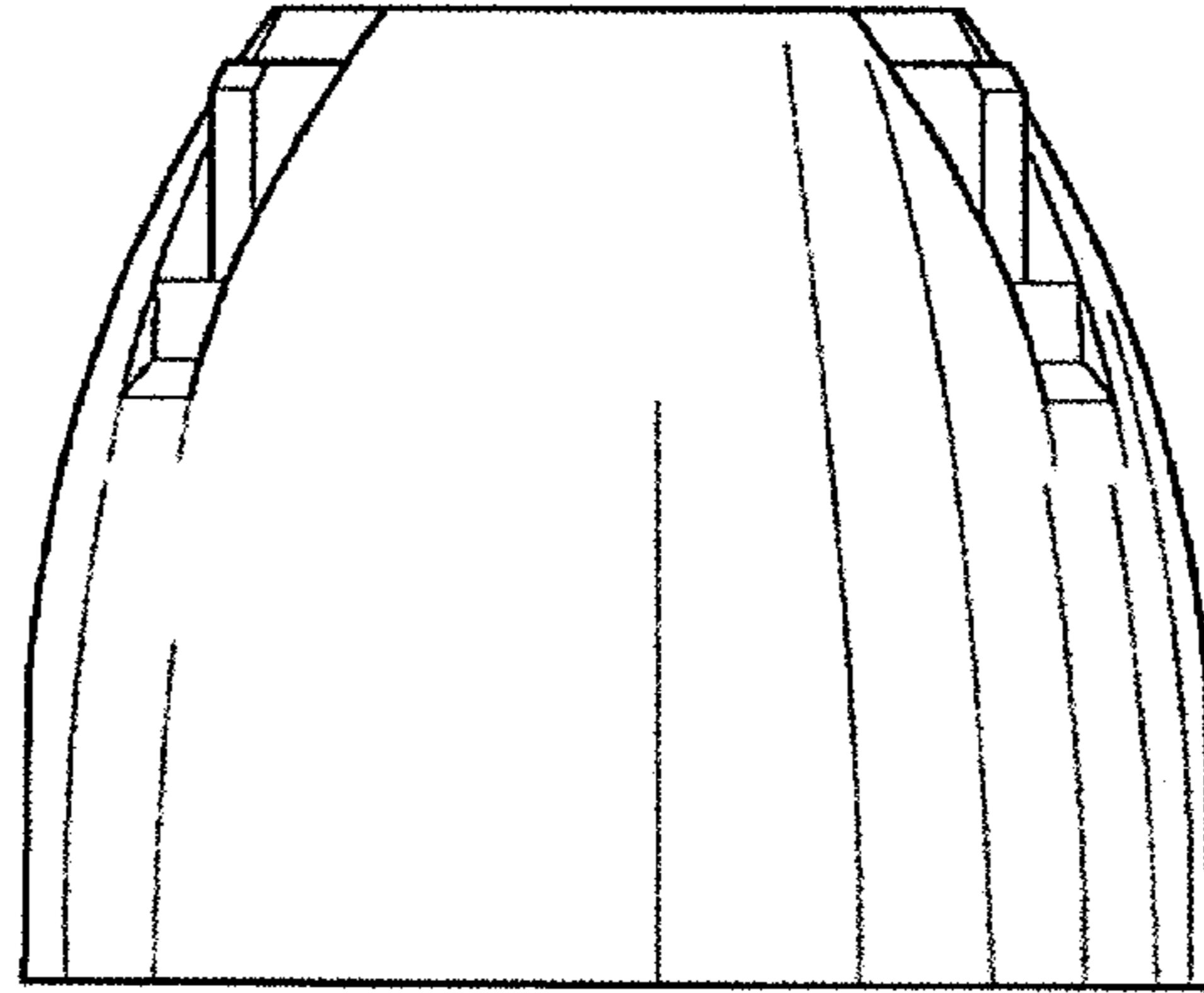


FIG. 3

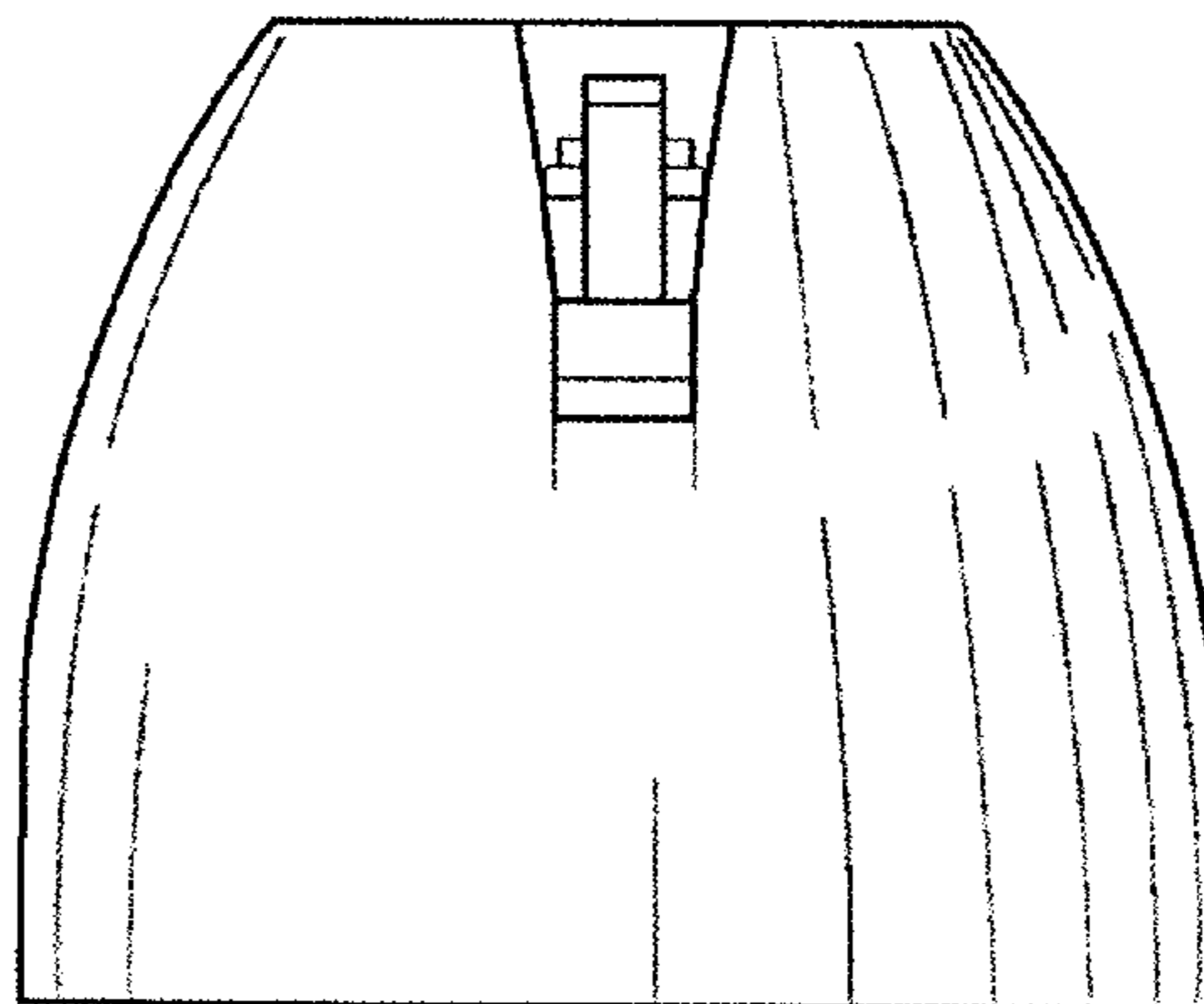


FIG. 4

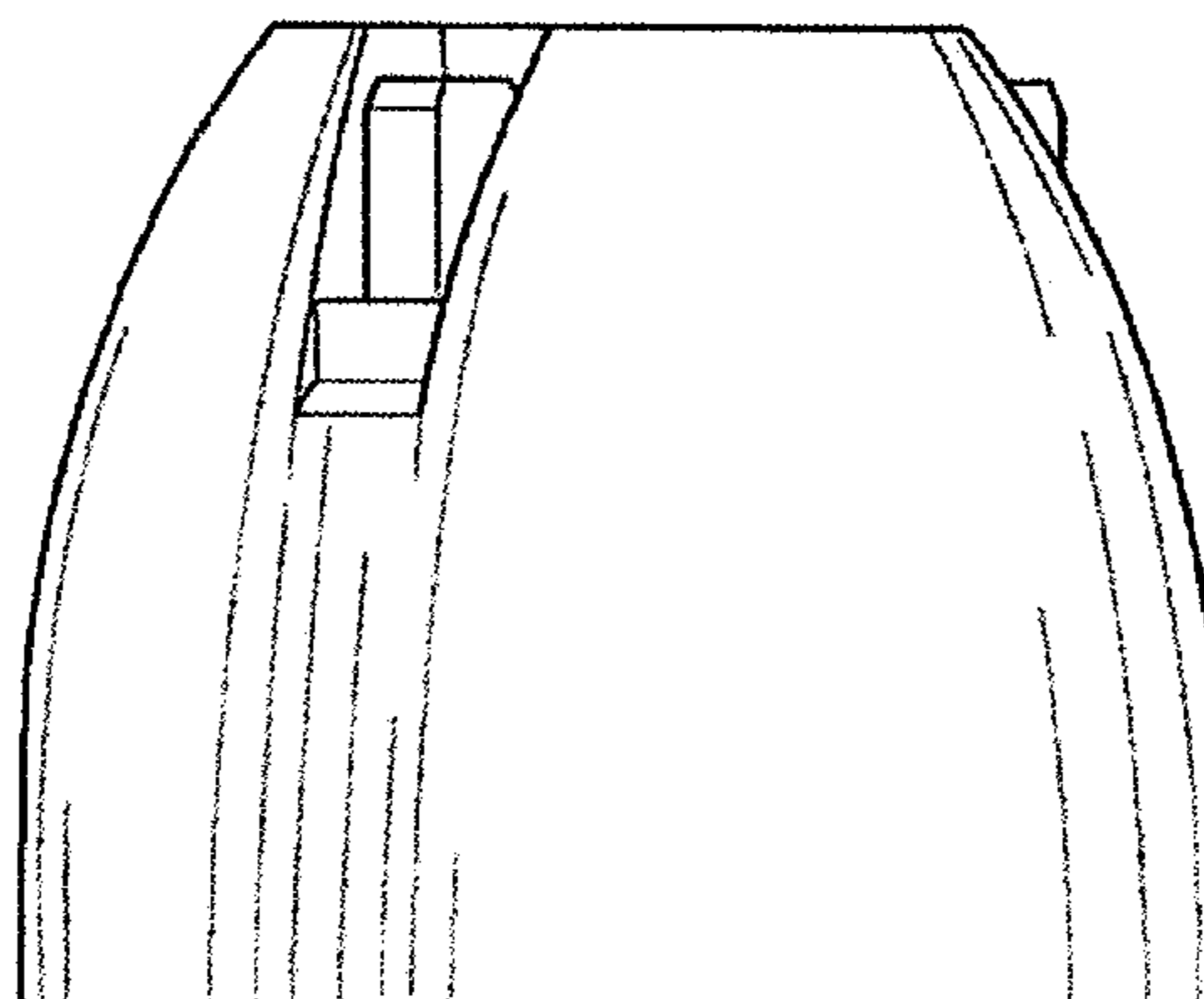


FIG. 5

