

US00D529381S

(12) **United States Design Patent**
Castillo Higareda et al.

(10) **Patent No.:** **US D529,381 S**
(45) **Date of Patent:** **** Oct. 3, 2006**

(54) **ACTUATOR OVERCAP FOR AN AEROSOL CONTAINER**

(75) Inventors: **Jose de Jesus Castillo Higareda**, Racine, WI (US); **Juan Antonio Lara Ozuna**, Toluca (MX); **Rafael Munoz Alonso**, Aldaya (ES); **Rafael Cebellan Debon**, Aldaya (ES); **Josep Casadella Casas**, Aldaya (ES); **Fernando Perez Arlandis**, Toluca (MX)

(73) Assignee: **S. C. Johnson & Son, Inc.**, Racine, WI (US)

(**) Term: **14 Years**

(21) Appl. No.: **29/208,417**

(22) Filed: **Jun. 25, 2004**

(51) **LOC (8) Cl.** **09-07**

(52) **U.S. Cl.** **D9/448**

(58) **Field of Classification Search** D9/690, D9/687, 686, 685, 682, 453, 448, 447, 440, D9/435, 434, 445; D24/113, 110; 222/915, 222/404, 402.11-15, 402.1, 182, 153.1; 220/915
See application file for complete search history.

(56) **References Cited**

U.S. PATENT DOCUMENTS

D208,224 S * 8/1967 Crowell D9/448

D238,934 S 2/1976 Corba D9/258
D277,648 S 2/1985 Jones D9/445
D328,708 S 8/1992 Kanthak D9/448
D365,990 S * 1/1996 McSwiggan et al. D9/448
D407,018 S 3/1999 Soller et al. D9/448
D409,916 S 5/1999 Houghton et al. D9/448
D416,490 S 11/1999 Kunesh D9/448
D423,356 S 4/2000 Mineau et al. D9/448

* cited by examiner

Primary Examiner—Robert M. Spear
Assistant Examiner—Susan Bennett Hattan

(57) **CLAIM**

The ornamental design for an actuator overcap for an aerosol container, as shown and described.

DESCRIPTION

FIG. 1 is a perspective view of an actuator overcap for an aerosol container showing our new design;
FIG. 2 is a top plan view thereof;
FIG. 3 is a right side elevational view thereof with the left side elevational view being a mirror image thereof;
FIG. 4 is a front elevational view thereof;
FIG. 5 is a rear elevational view thereof; and,
FIG. 6 is a bottom plan view thereof.

The broken lines in FIGS. 1, 2, 4, 5 and 6 are for illustrative purposes only and forms no part of the claimed design.

1 Claim, 2 Drawing Sheets

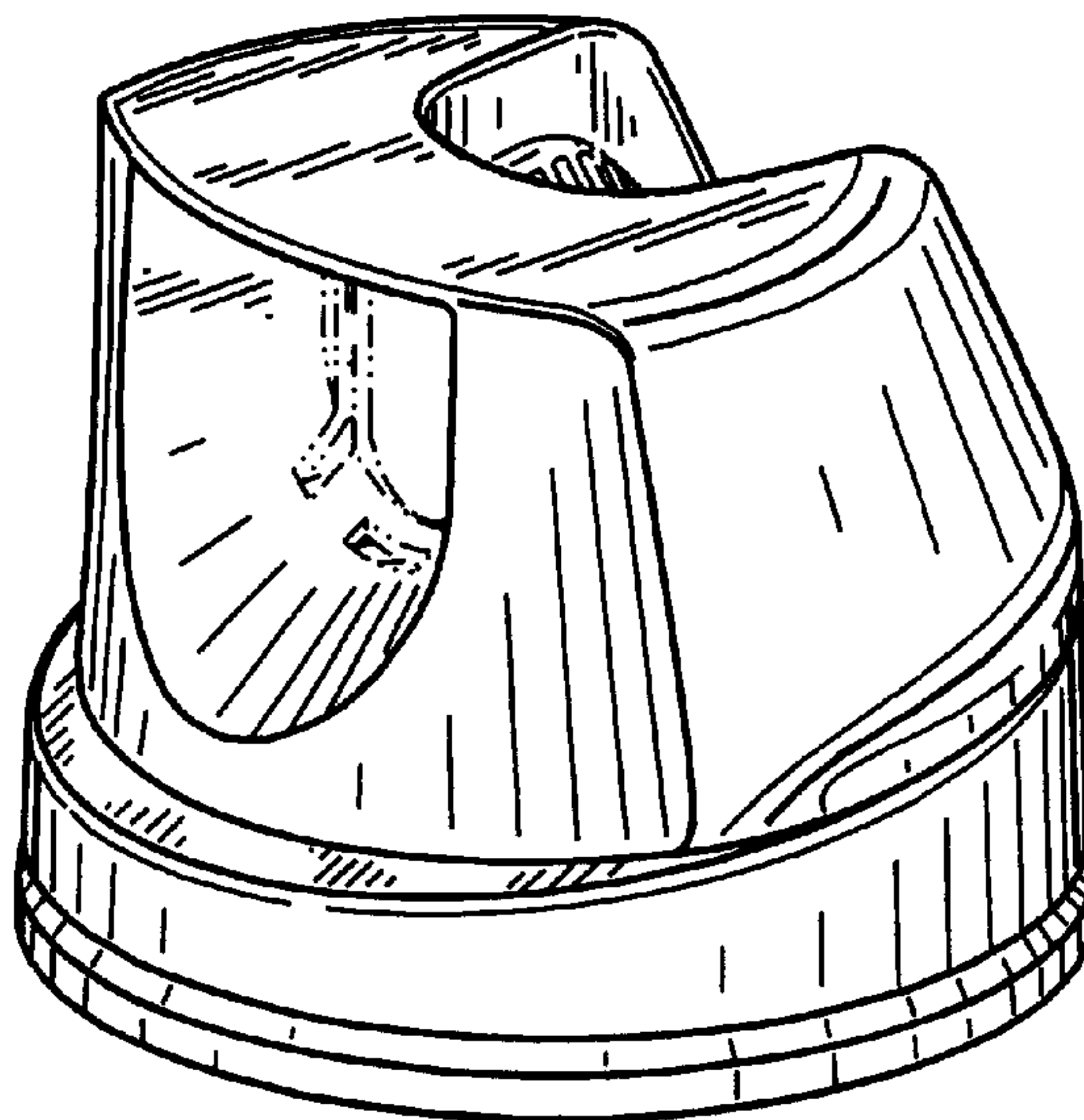


FIG. 1

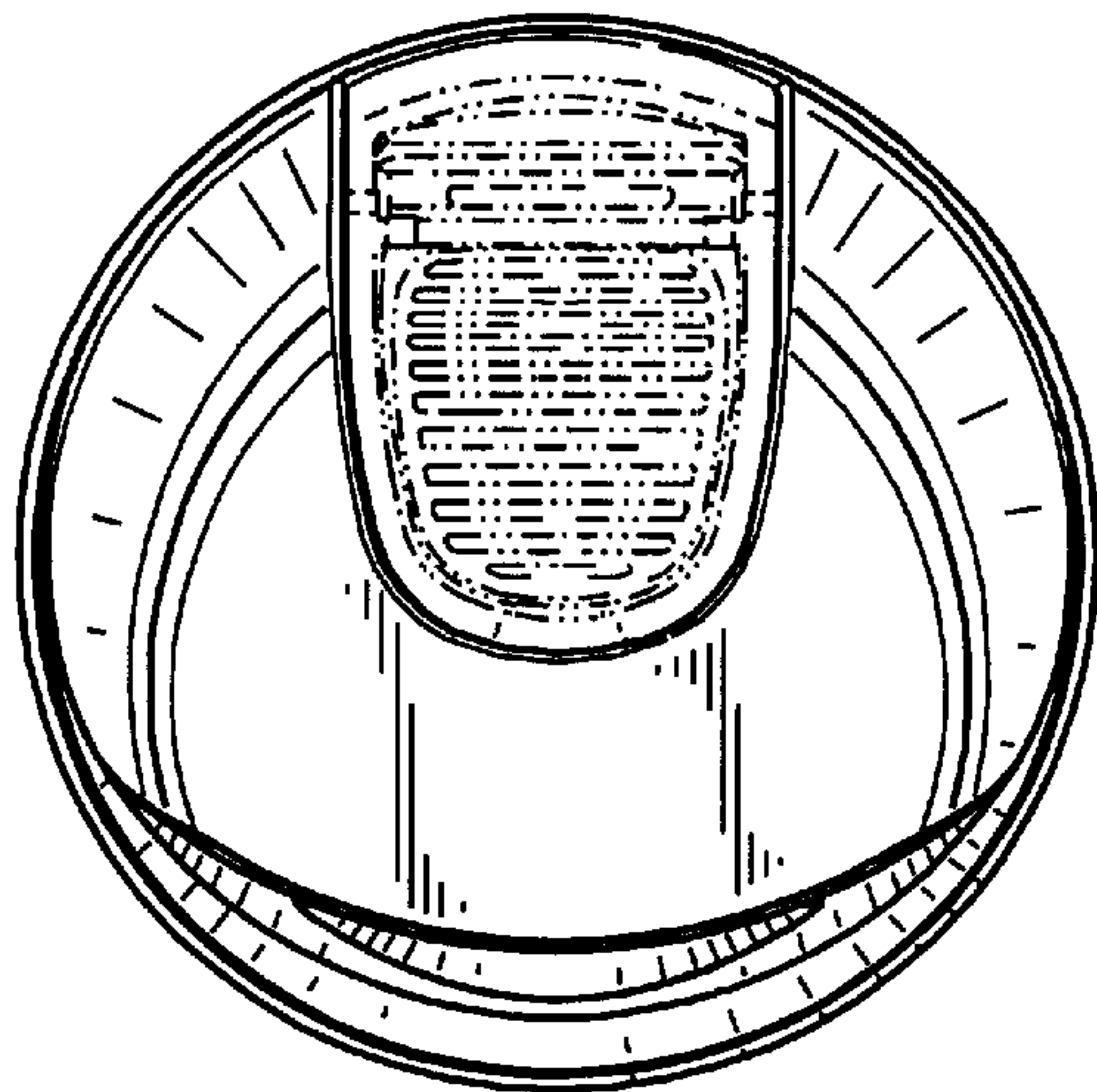
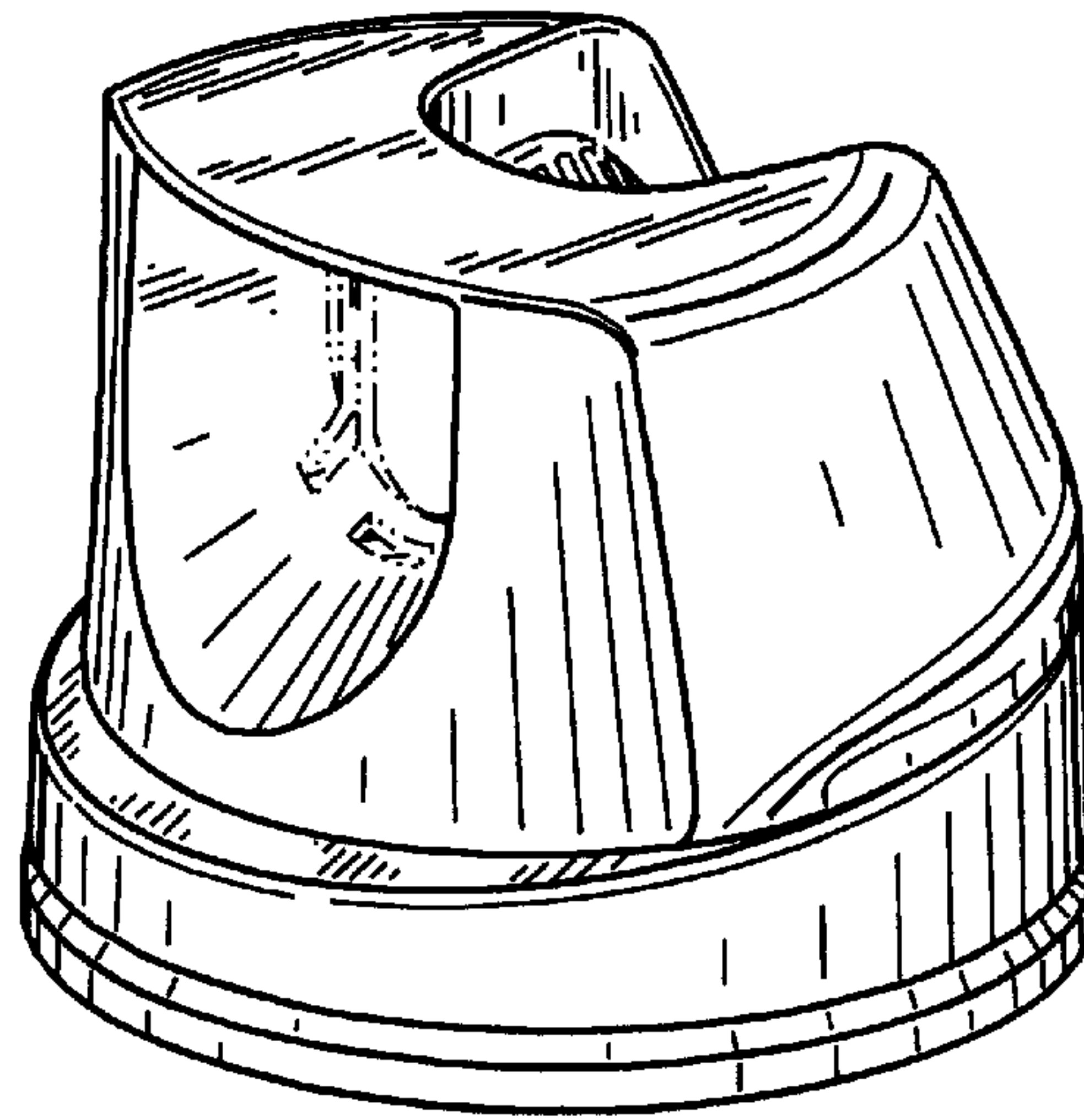
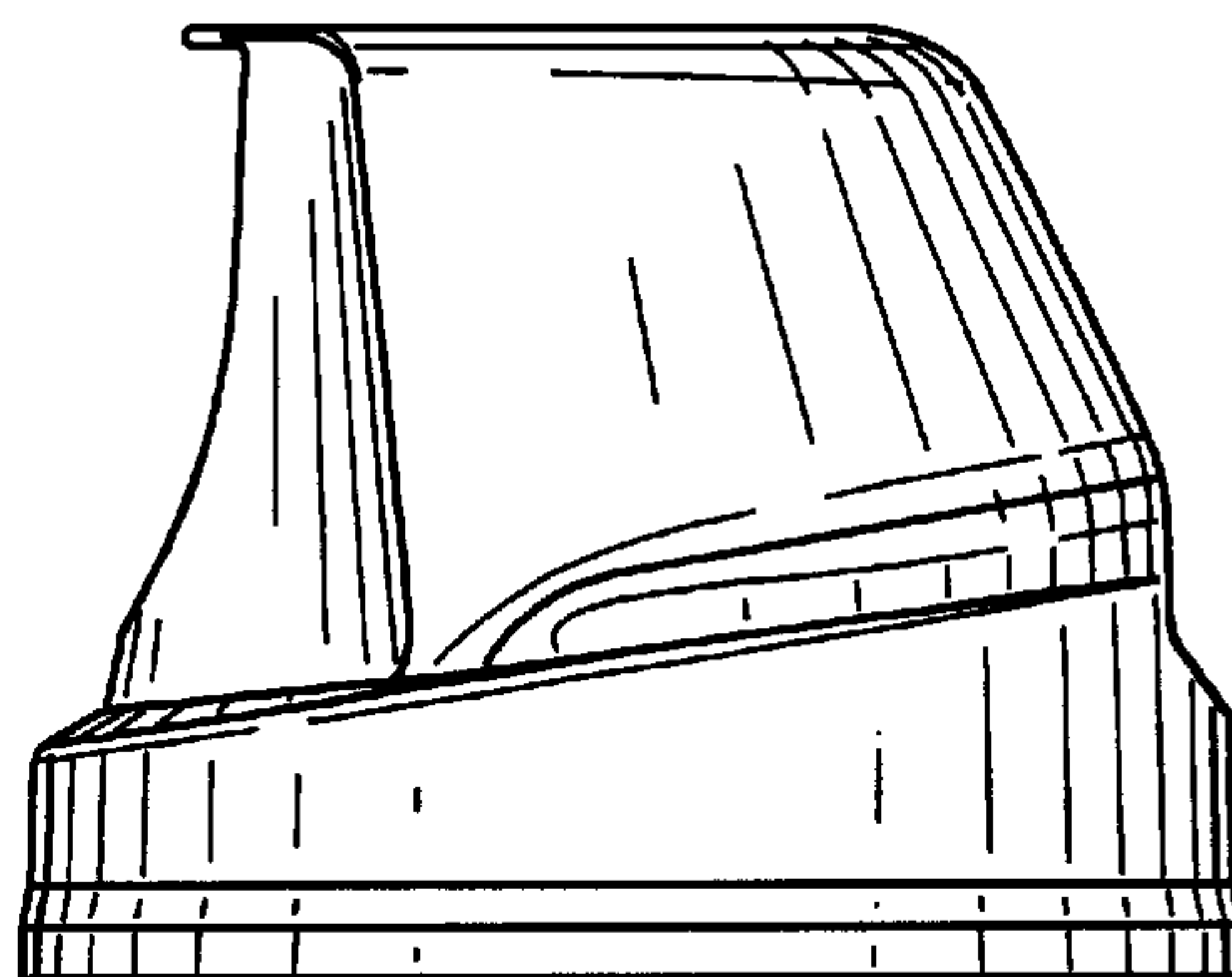


FIG. 2

FIG. 3



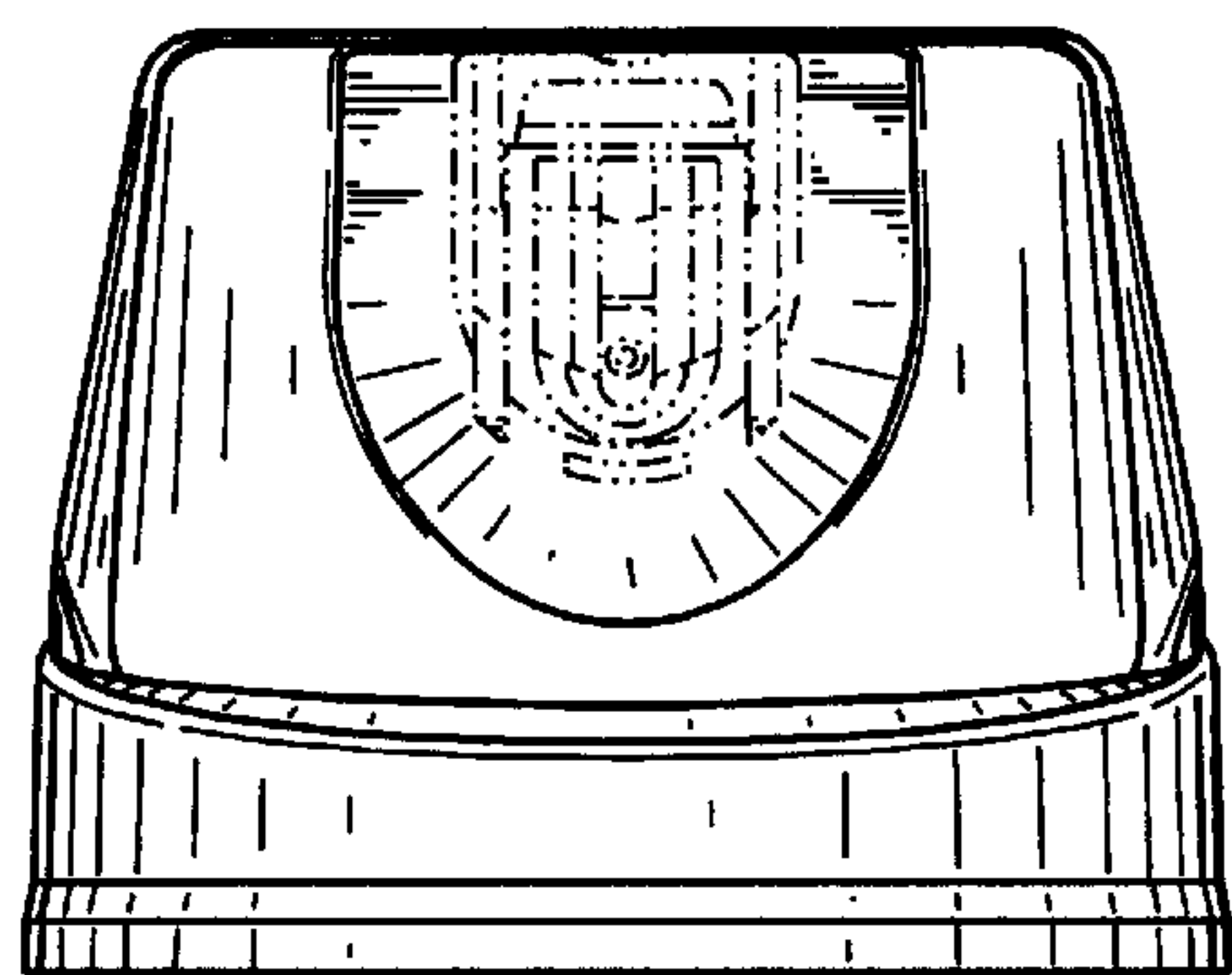


FIG. 4

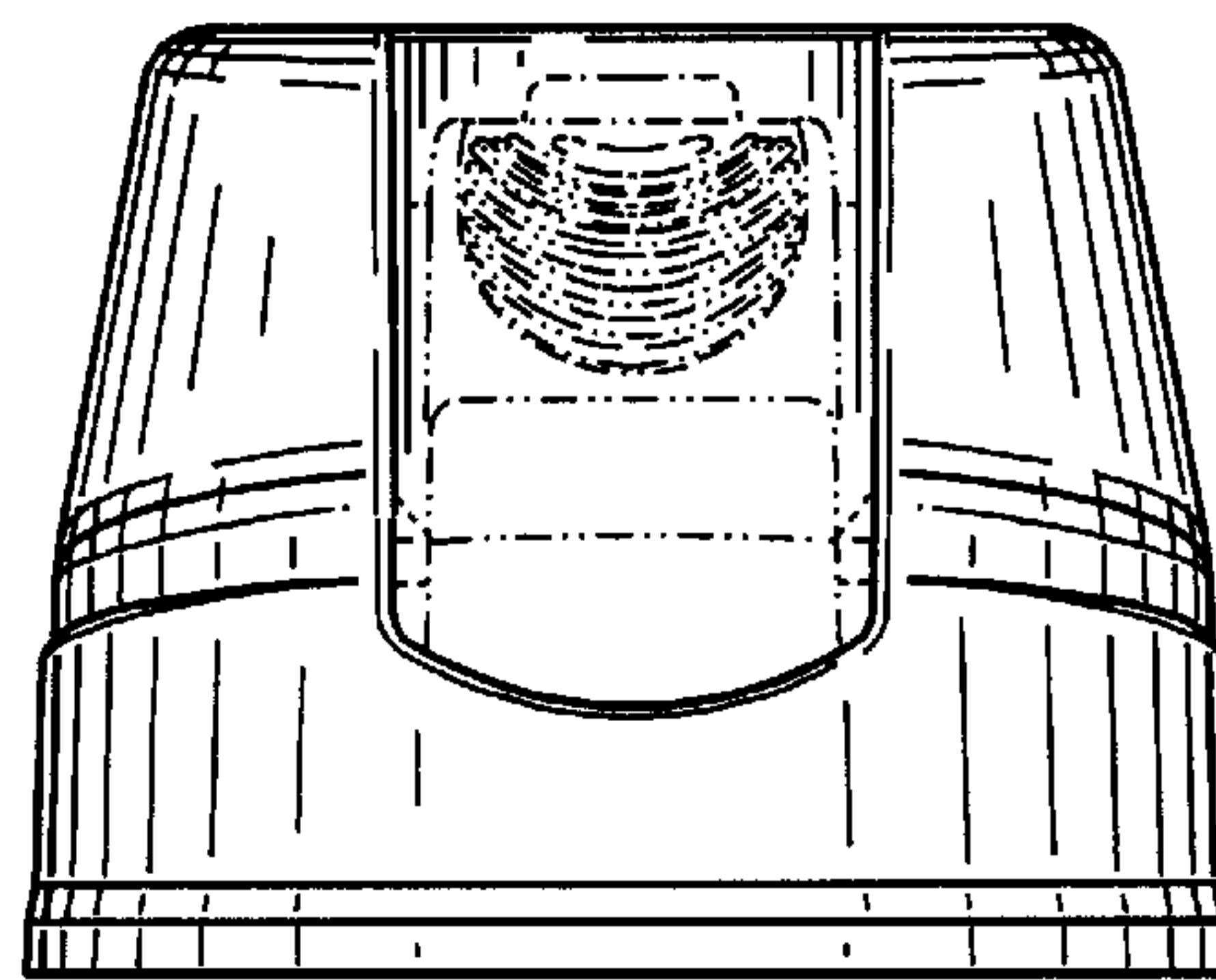


FIG. 5

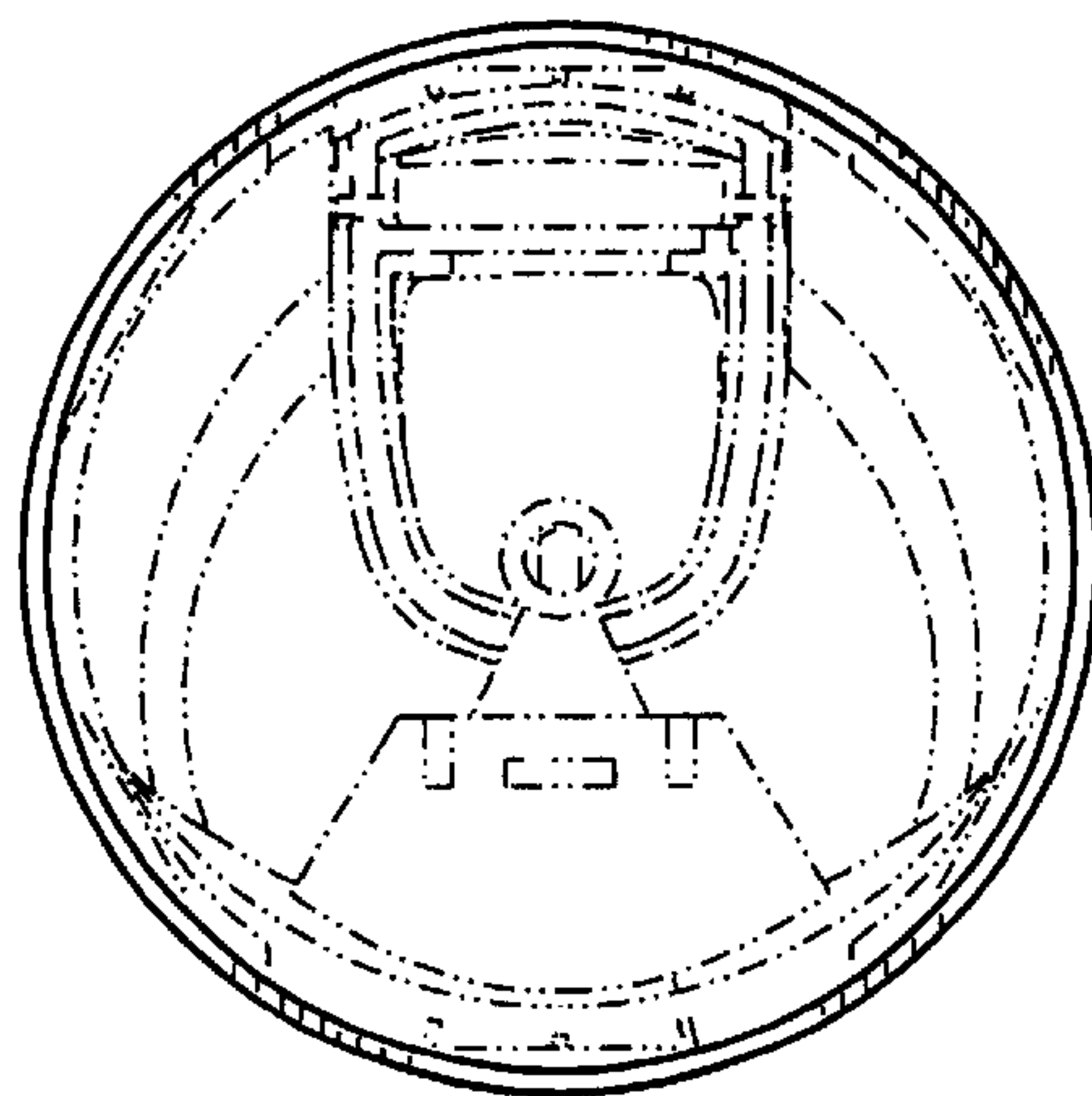


FIG. 6