



US00D529375S

(12) **United States Design Patent**
Cetera

(10) **Patent No.:** **US D529,375 S**

(45) **Date of Patent:** **** Oct. 3, 2006**

(54) **BAG HOLDER**

(75) Inventor: **Carl Cetera**, Tenafly, NJ (US)

(73) Assignee: **Cotapaxi Custom Design and Manufacturing, LLC**, Carlstadt, NJ (US)

(**) Term: **14 Years**

(21) Appl. No.: **29/215,014**

(22) Filed: **Oct. 12, 2004**

(51) **LOC (8) Cl.** **08-08**

(52) **U.S. Cl.** **D8/395**

(58) **Field of Classification Search** D8/356,
D8/371, 394-396, 499, 53, 100, 365; D12/51;
D19/65, 90; D28/39, 40, 42; 24/546, 563,
24/910, 327, 334, DIG. 8, DIG. 9, DIG. 13,
24/DIG. 28; 248/74.2, 300, 301, 316.7, 229.26
See application file for complete search history.

(56) **References Cited**

U.S. PATENT DOCUMENTS

94,334 A	*	8/1869	Odell	40/666
D302,568 S	*	8/1989	Berger	D19/65
D406,169 S	*	2/1999	Wolff	D19/65
D452,881 S	*	1/2002	Chien	D19/65

D463,824 S	*	10/2002	Kan	D19/65
D493,487 S	*	7/2004	Nuttall et al.	D19/65
D500,341 S	*	12/2004	Bhavnani	D19/88

* cited by examiner

Primary Examiner—Louis S. Zarfes

Assistant Examiner—John Windmuller

(74) *Attorney, Agent, or Firm*—The Soni Law Firm

(57) **CLAIM**

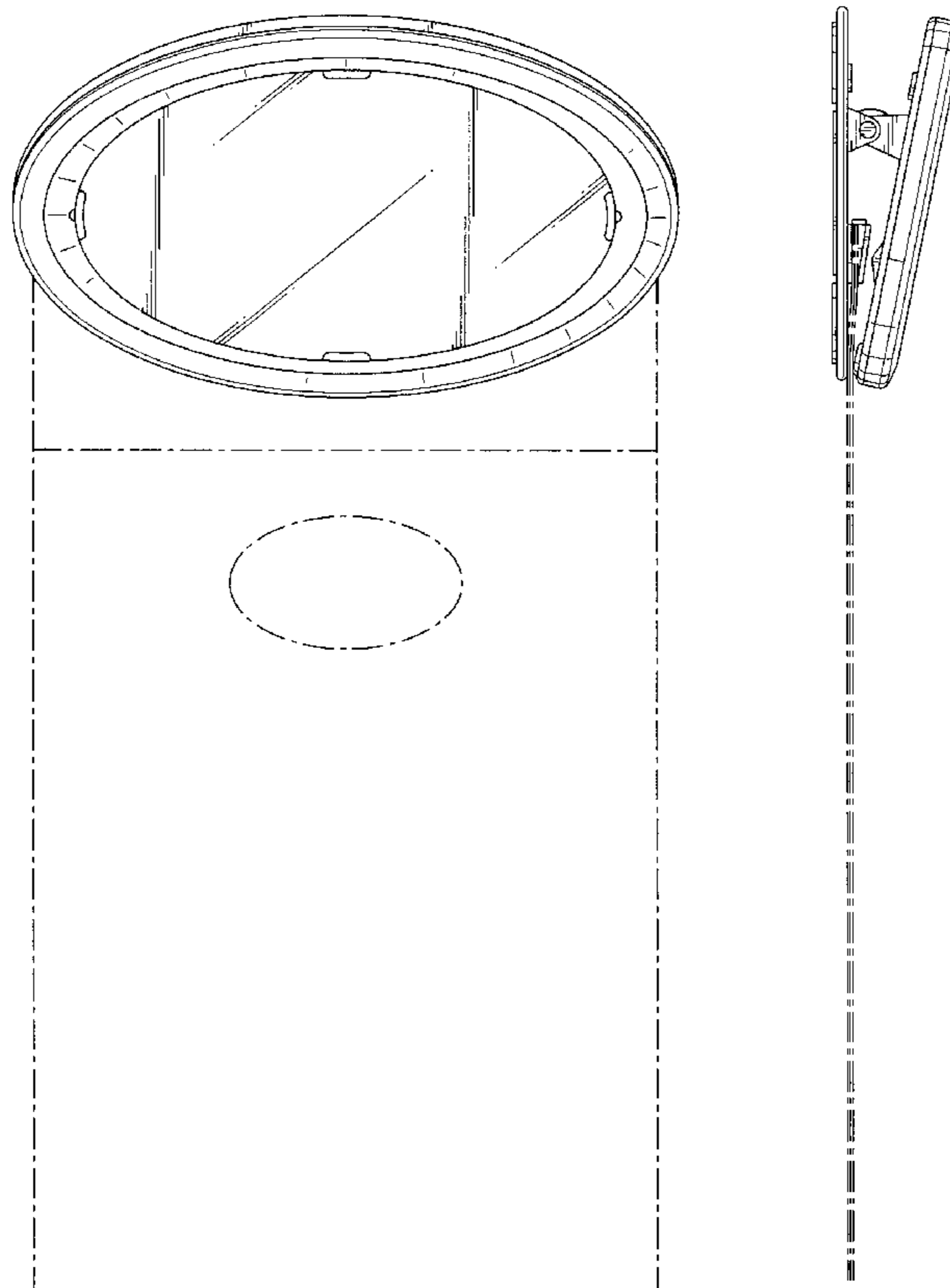
The ornamental design for a bag holder, as shown and described.

DESCRIPTION

FIG. 1 is a top front perspective view of a bag holder showing my new design; FIG. 2 is a front elevation view of the bag holder of FIG. 1; FIG. 3 is a left side elevation view of the bag holder of FIG. 1; FIG. 4 is a right side elevation view of the bag holder of FIG. 1; FIG. 5 is a top plan view of the bag holder of FIG. 1; FIG. 6 is a bottom plan view of the bag holder of FIG. 1; and, FIG. 7 is a rear elevational view of the bag holder of FIG. 1.

The broken line showing of bags is for illustrative purposes only and forms no part of the claimed design.

1 Claim, 4 Drawing Sheets



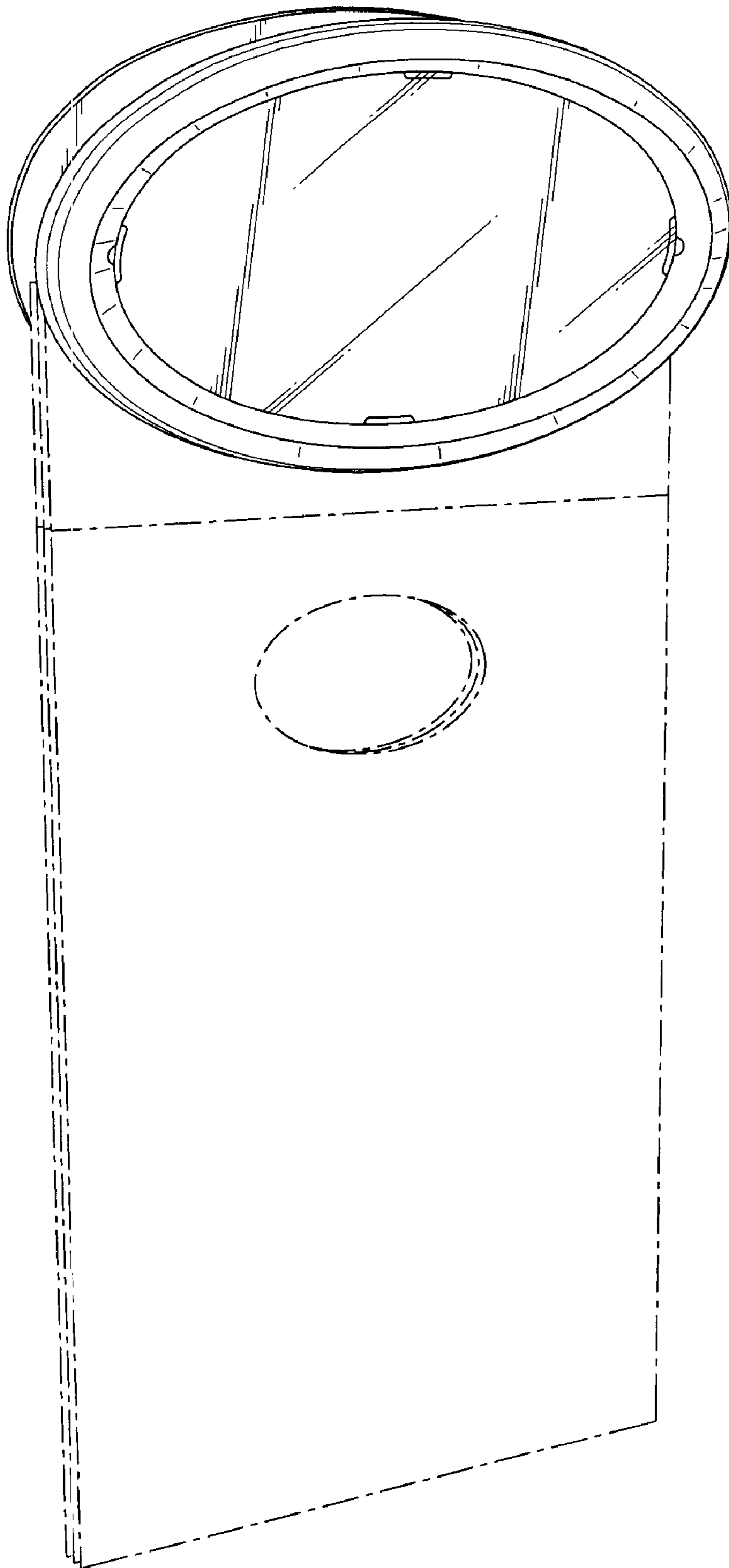


FIG. 1

FIG. 2

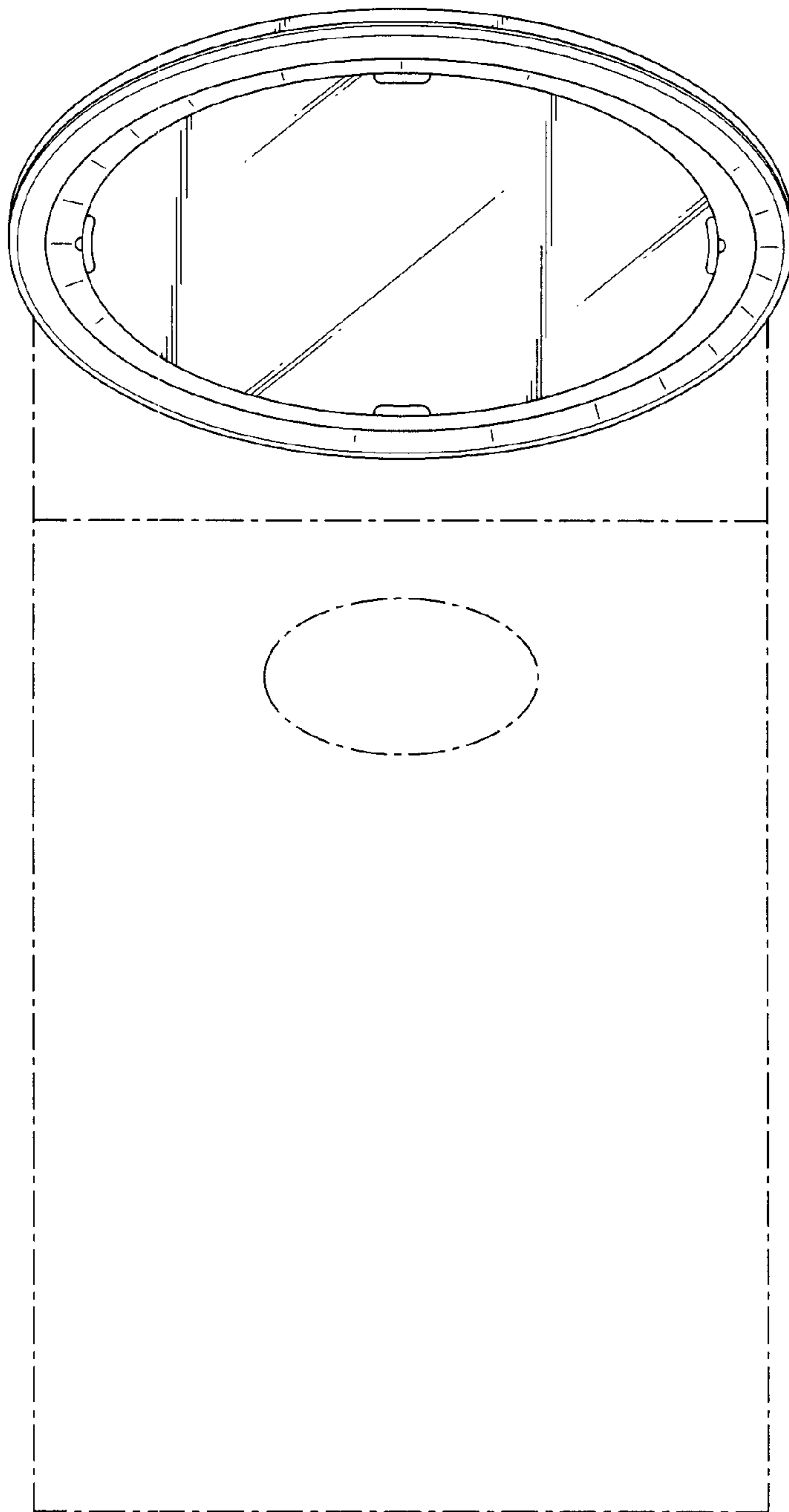


FIG. 3



FIG. 4

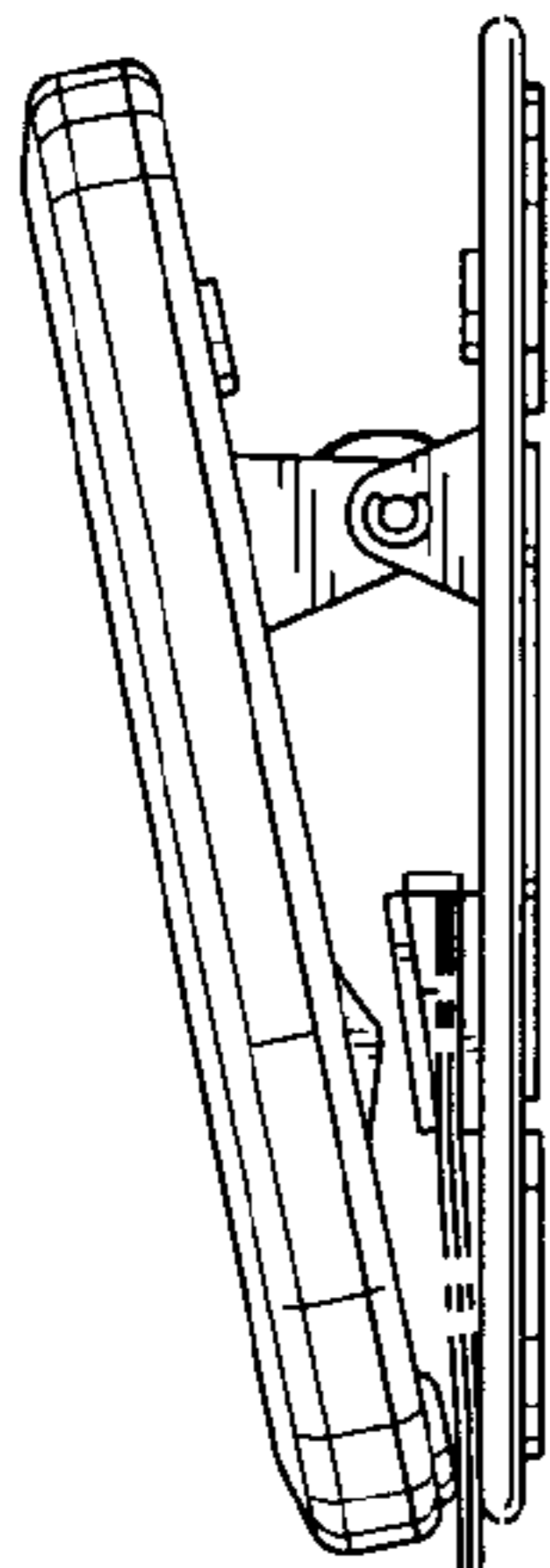


FIG. 5

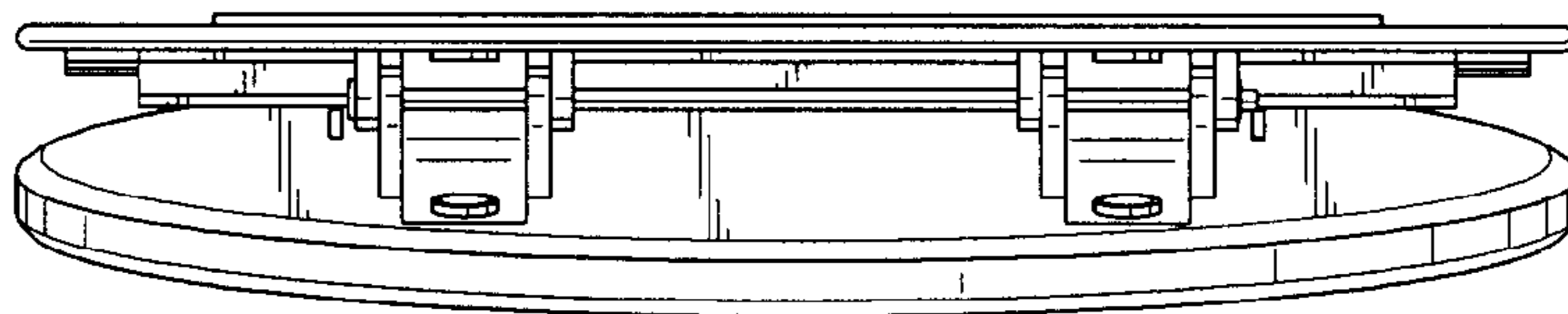


FIG. 6

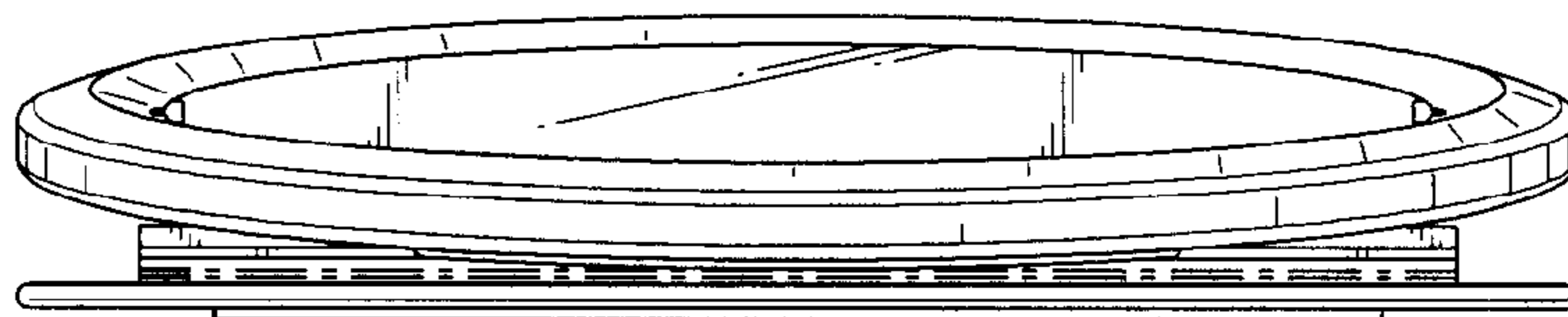


FIG. 7

