



US00D529374S

(12) **United States Design Patent**
Watanabe

(10) **Patent No.:** **US D529,374 S**

(45) **Date of Patent:** **** Oct. 3, 2006**

(54) **FIXING TOOL FOR WRISTBAND**

6,857,432 B1 * 2/2005 de Laforcade 132/294

(75) Inventor: **Isao Watanabe**, Saitama (JP)

* cited by examiner

(73) Assignee: **Kabushiki Kaisha Sato** (JP)

Primary Examiner—Louis S. Zarfes

Assistant Examiner—John Windmuller

(**) Term: **14 Years**

(74) *Attorney, Agent, or Firm*—Ostrolenk, Faber, Gerb & Soffen, LLP

(21) Appl. No.: **29/208,262**

(57) **CLAIM**

(22) Filed: **Jun. 25, 2004**

The ornamental design for a fixing tool for wristband, as shown and described.

(30) **Foreign Application Priority Data**

DESCRIPTION

Feb. 2, 2004 (EM) 000130489

(51) **LOC (8) Cl.** **08-08**

(52) **U.S. Cl.** **D8/395**

(58) **Field of Classification Search** D8/356,
D8/371, 394–396, 499, 53, 100, 365; D12/51;
D19/65, 90; D28/39, 40, 42; 24/546, 563,
24/910, 327, 334, DIG. 8, DIG. 9, DIG. 13,
24/DIG. 28; 248/74.2, 300, 301, 316.7, 229.26
See application file for complete search history.

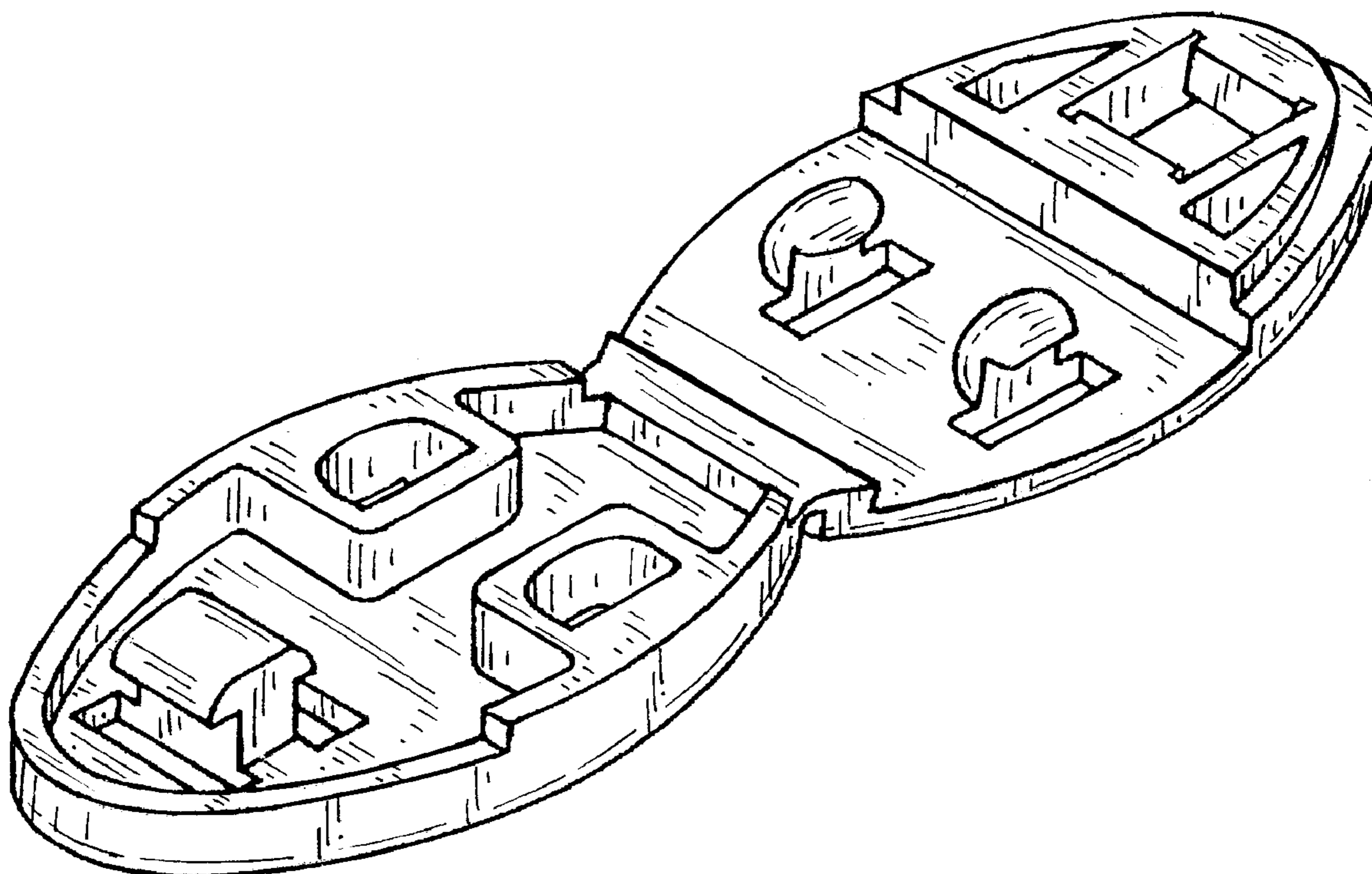
FIG. 1 is a top perspective view of a fixing tool for wristband showing my new design in an open position;
FIG. 2 is a top plan view thereof;
FIG. 3 is a bottom plan view thereof;
FIG. 4 is a right side elevational view thereof;
FIG. 5 is a left side elevational view thereof;
FIG. 6 is a rear elevational view thereof;
FIG. 7 is a front elevational view thereof;
FIG. 8 is a bottom plan view thereof in a closed position;
FIG. 9 is a top plan view thereof;
FIG. 10 is a front elevational view thereof;
FIG. 11 is a rear elevational view thereof;
FIG. 12 is a right side elevational view thereof; and,
FIG. 13 is a left side elevational view thereof.

(56) **References Cited**

U.S. PATENT DOCUMENTS

D260,730 S * 9/1981 Fujita D8/356
5,642,556 A * 7/1997 Alexander 24/163 K
D463,621 S * 9/2002 Tobin D28/41
6,446,628 B1 * 9/2002 Chen 128/200.24

1 Claim, 4 Drawing Sheets



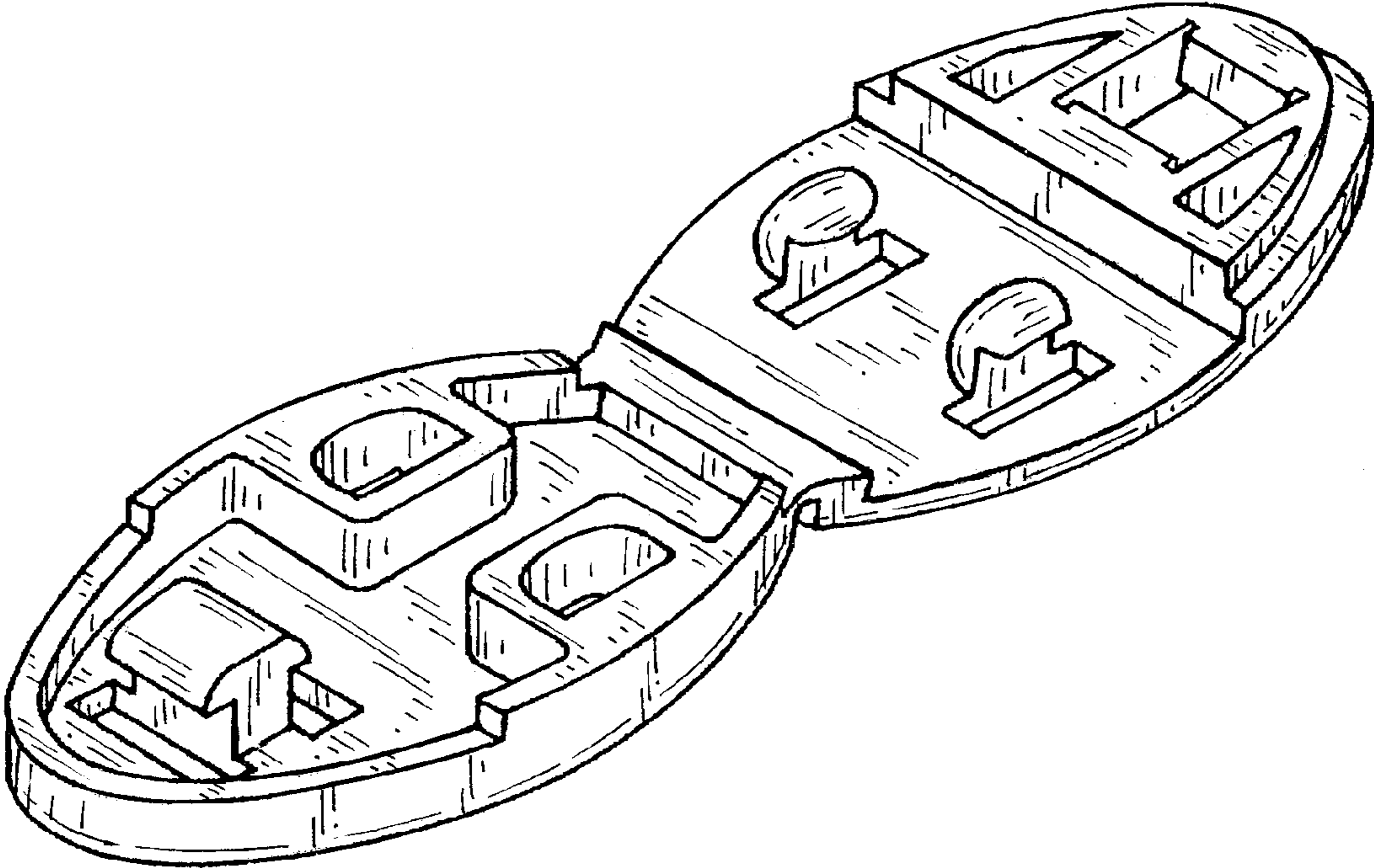


FIG. 1

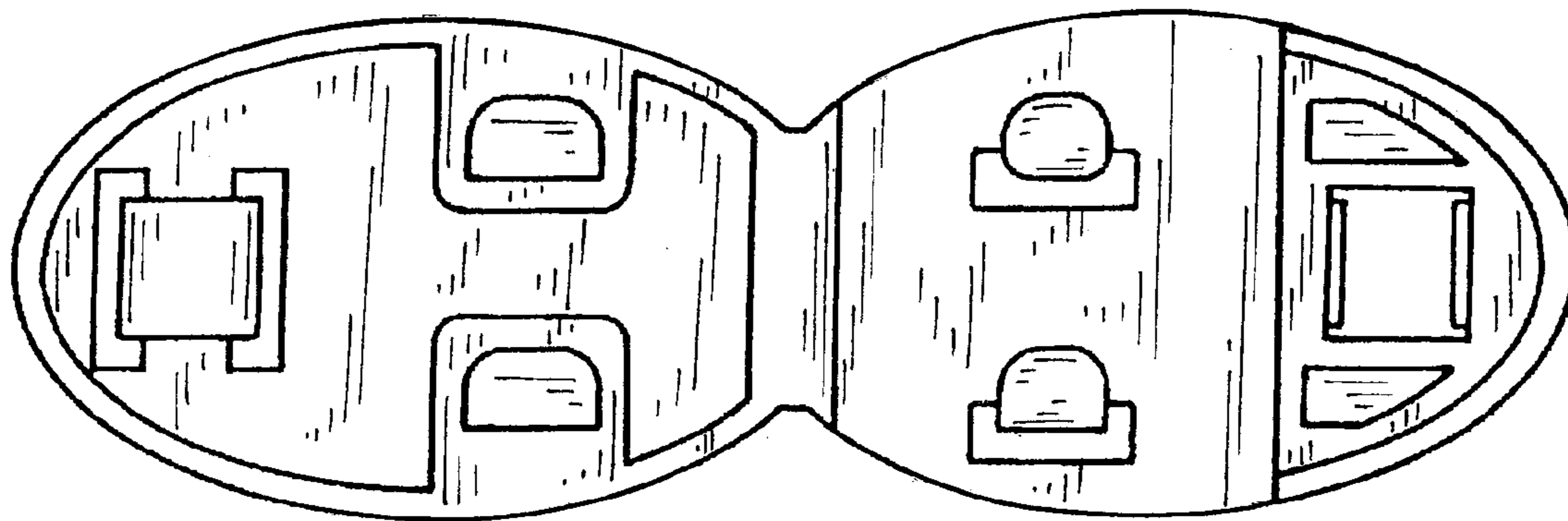


FIG. 2

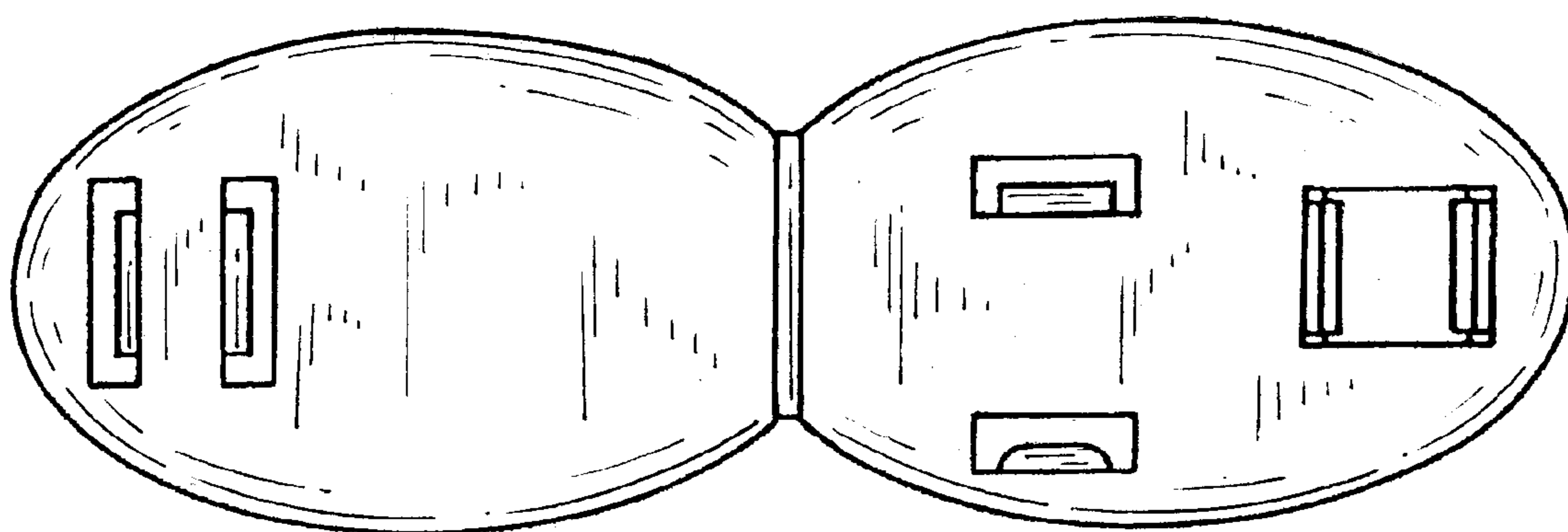


FIG. 3



FIG. 5



FIG. 4

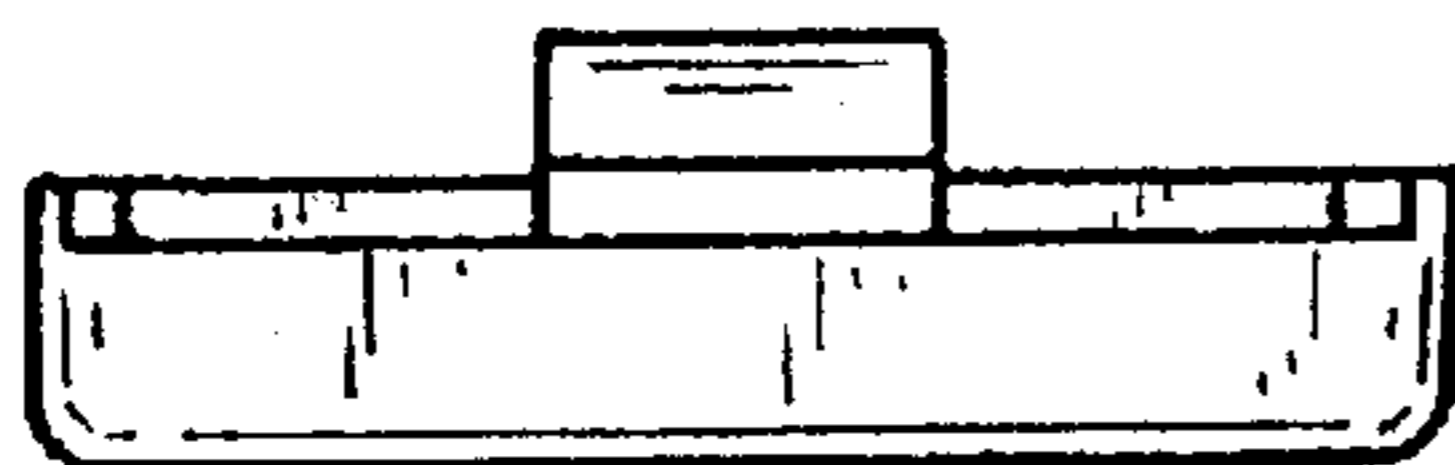


FIG. 7

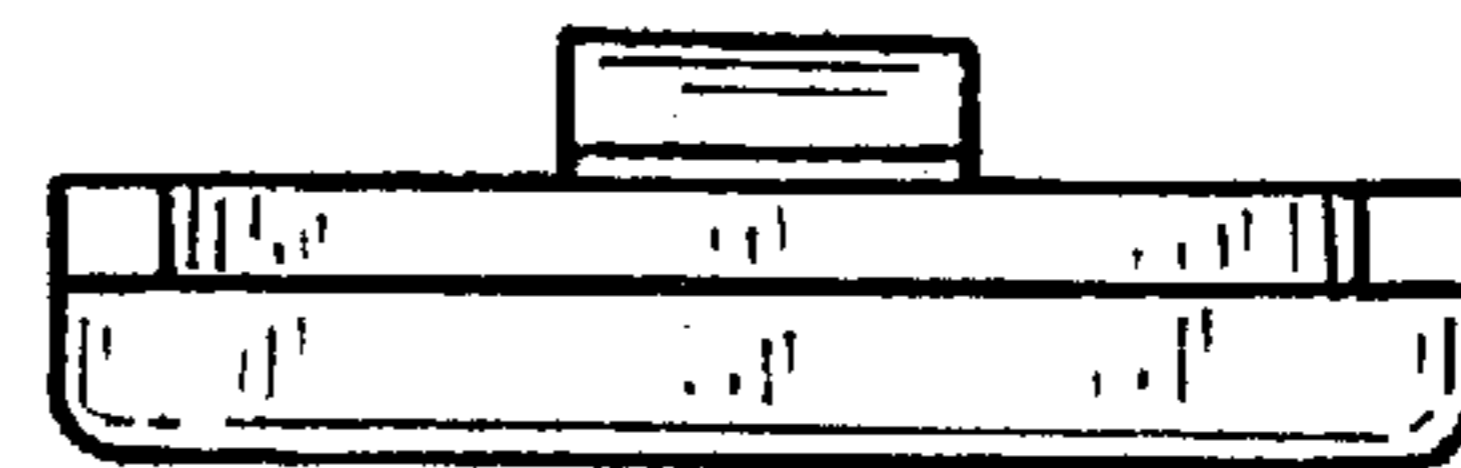


FIG. 6

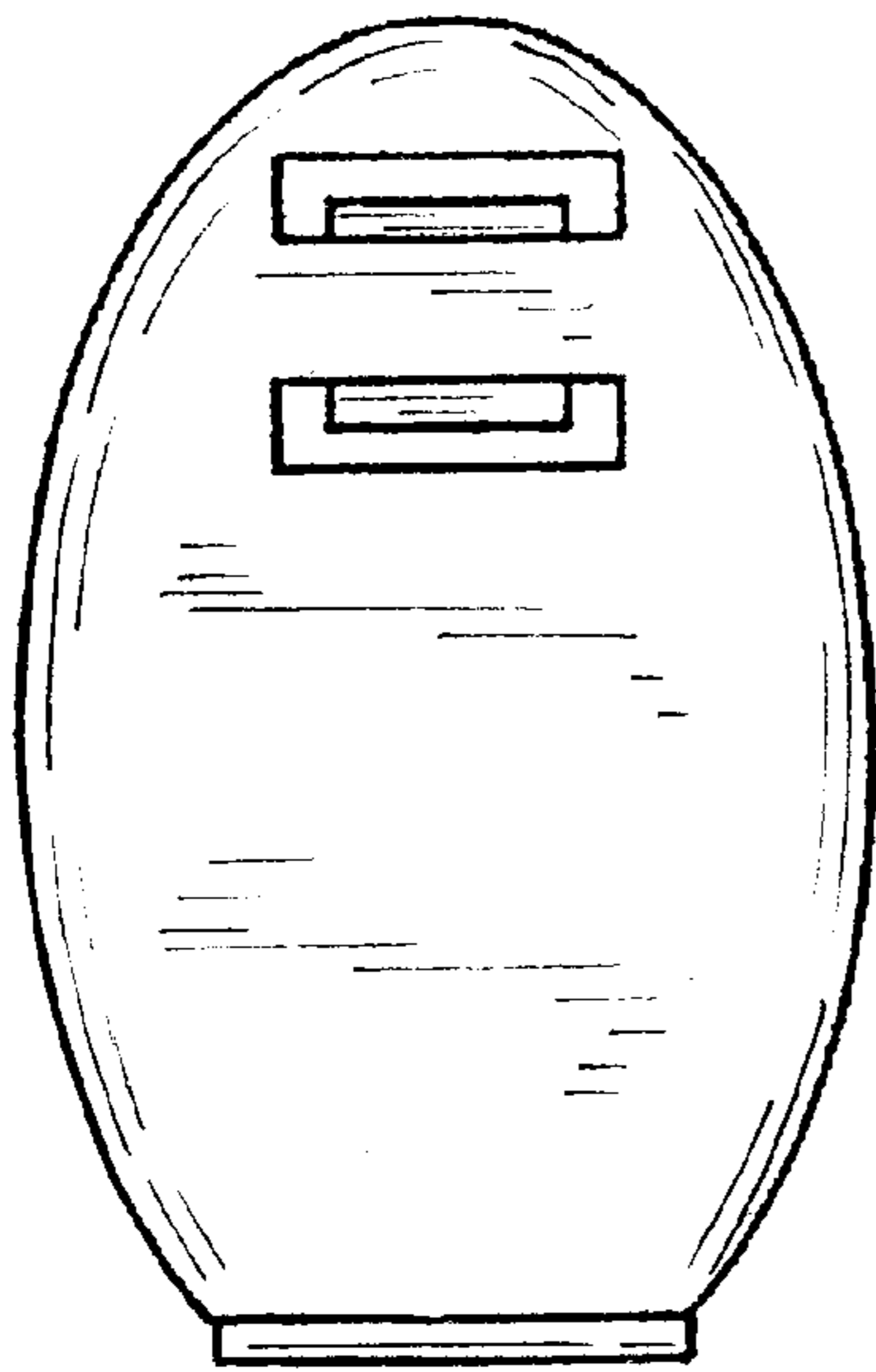


FIG. 8

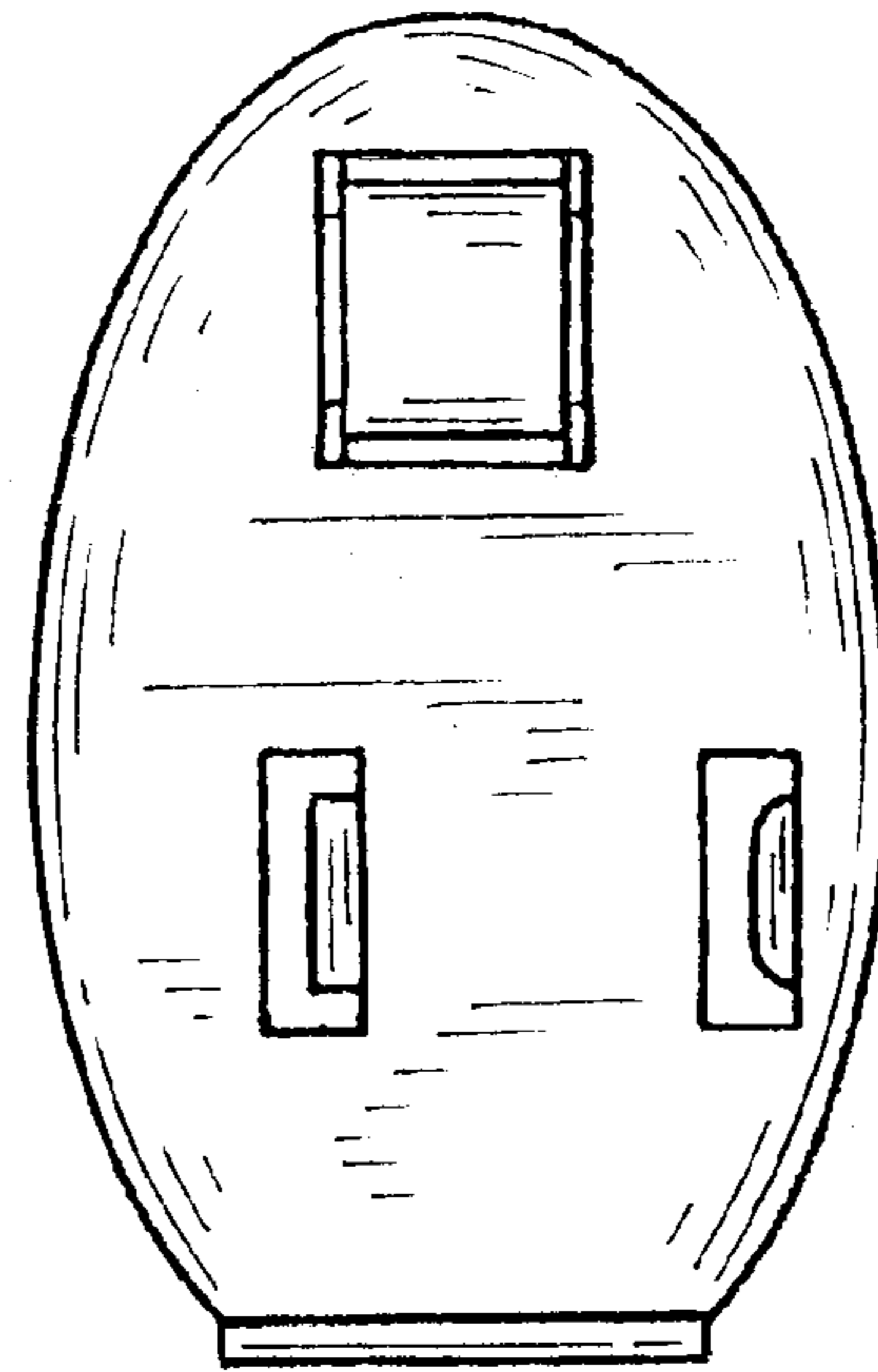


FIG. 9

FIG. 10

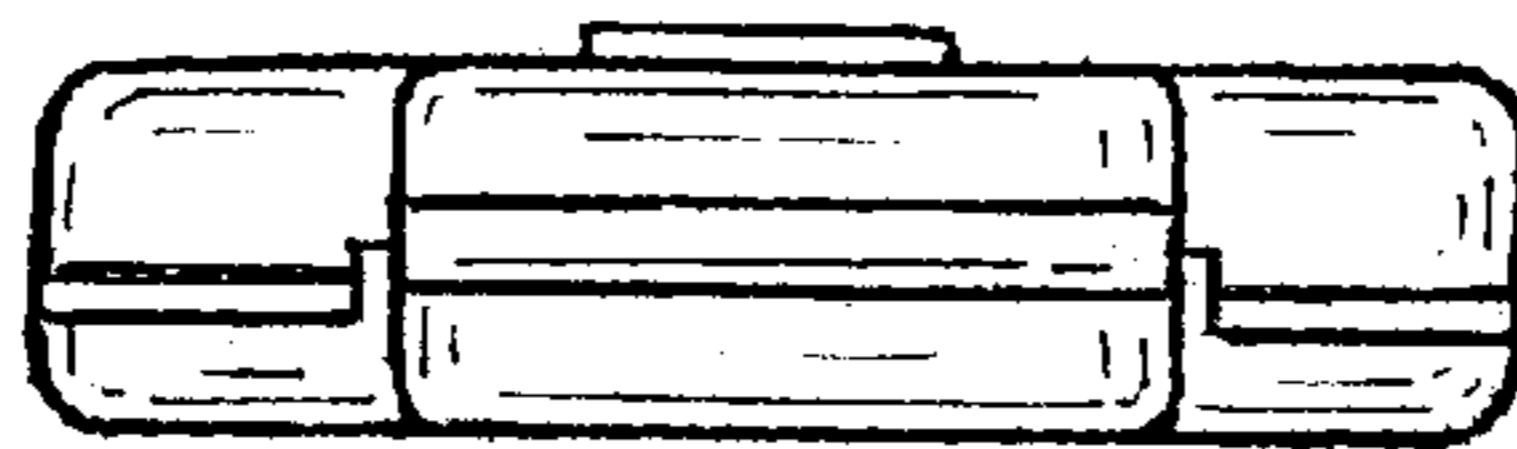
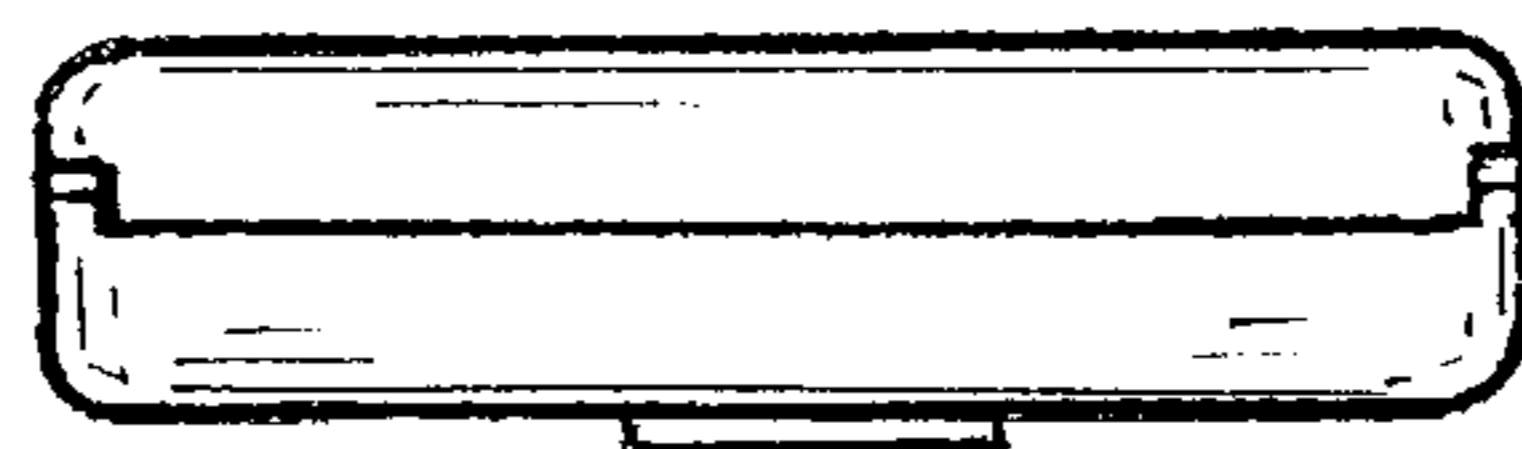


FIG. 11



FIG. 12



FIG. 13