



US00D529373S

(12) **United States Design Patent**
Hillman

(10) **Patent No.:** **US D529,373 S**

(45) **Date of Patent:** **** Oct. 3, 2006**

(54) **LADDER RACK**

(76) **Inventor:** **Craig H. Hillman**, 21 Fuller Way,
Plymouth, MA (US) 02360

(**) **Term:** **14 Years**

(21) **Appl. No.:** **29/209,066**

(22) **Filed:** **Jul. 12, 2004**

(51) **LOC (8) Cl.** **08-05**

(52) **U.S. Cl.** **D8/373**

(58) **Field of Classification Search** D8/373,
D8/370, 367; 248/210, 301-304
See application file for complete search history.

5,651,484 A	7/1997	Fugman	
5,662,254 A	9/1997	Lemajeur et al.	
5,797,571 A *	8/1998	Brophy	248/210
5,816,462 A	10/1998	Brantley	
6,092,972 A	7/2000	Levi	
6,257,534 B1	7/2001	Finley	
6,450,379 B1	9/2002	Cook	

* cited by examiner

Primary Examiner—Holly Baynham

(74) *Attorney, Agent, or Firm*—John P. McGonagle

(57) **CLAIM**

The ornamental design for a ladder rack, as shown and described.

DESCRIPTION

FIG. 1 is a front perspective view of a ladder rack embodying my new design, said ladder rack having a holding element fully deployed;

FIG. 2 is a top view thereof;

FIG. 3 is a bottom view thereof;

FIG. 4 is a rear view thereof;

FIG. 5 is a front view thereof;

FIG. 6 is a side view thereof; the opposite side being a mirror image thereof;

FIG. 7 is a front view thereof with the holding element in a stowed position; and,

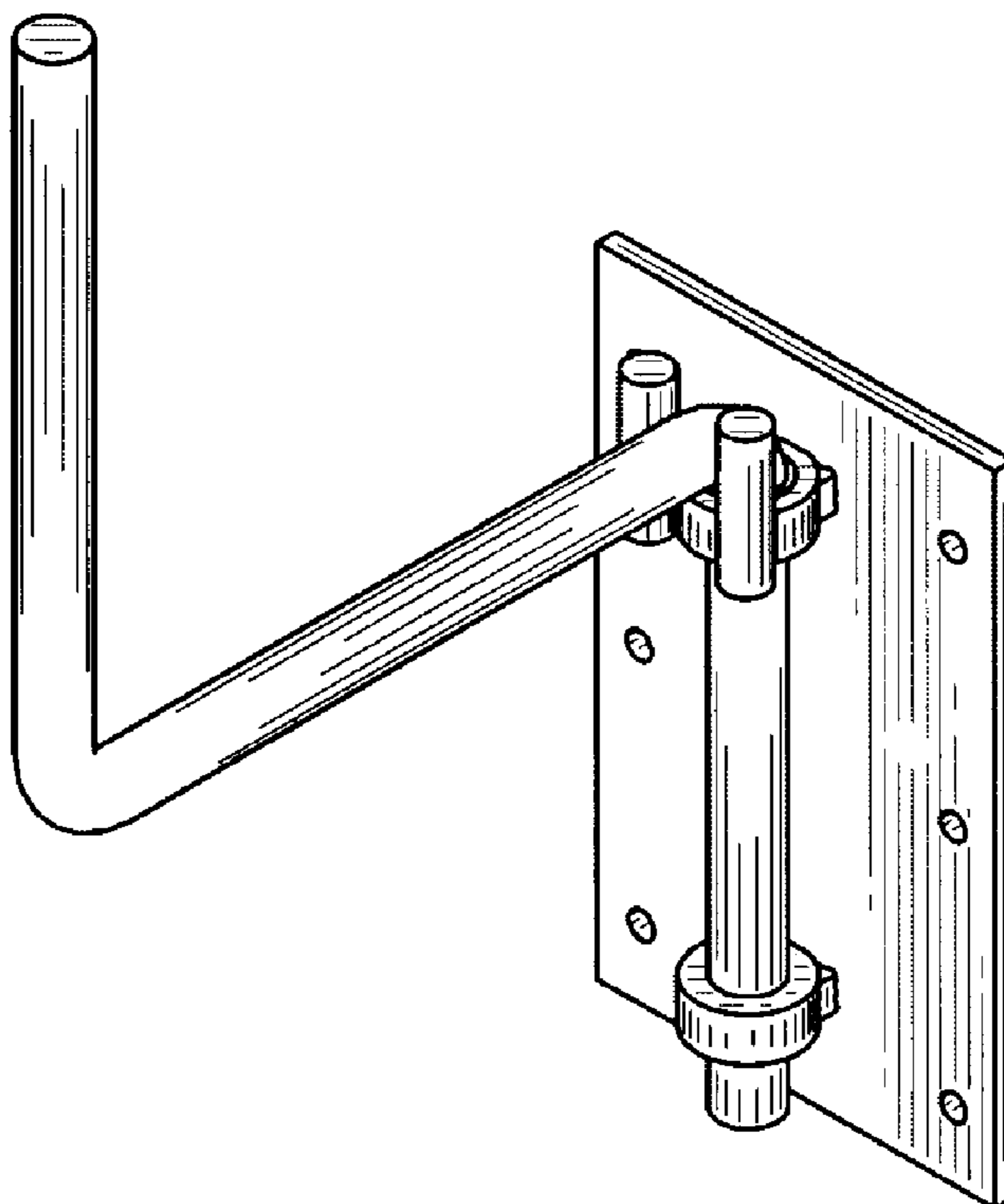
FIG. 8 is a front perspective view thereof.

(56) **References Cited**

U.S. PATENT DOCUMENTS

252,381 A	1/1882	Hyre	
1,991,900 A	2/1935	Larsen	
2,678,150 A	5/1954	Lund	
2,680,544 A	6/1954	Hunt, Sr. et al.	
D199,518 S *	11/1964	Sanders et al.	D8/373
4,025,016 A *	5/1977	Brothers	248/210
4,025,018 A *	5/1977	Thalenfeld	248/303
4,413,801 A	11/1983	Lancaster et al.	
4,607,773 A *	8/1986	Mason	224/546
D290,931 S *	7/1987	Powell	D8/373
4,813,585 A *	3/1989	Nutt	224/324
4,923,103 A	5/1990	Sauber	
5,255,951 A	10/1993	Moore, III	

1 Claim, 2 Drawing Sheets



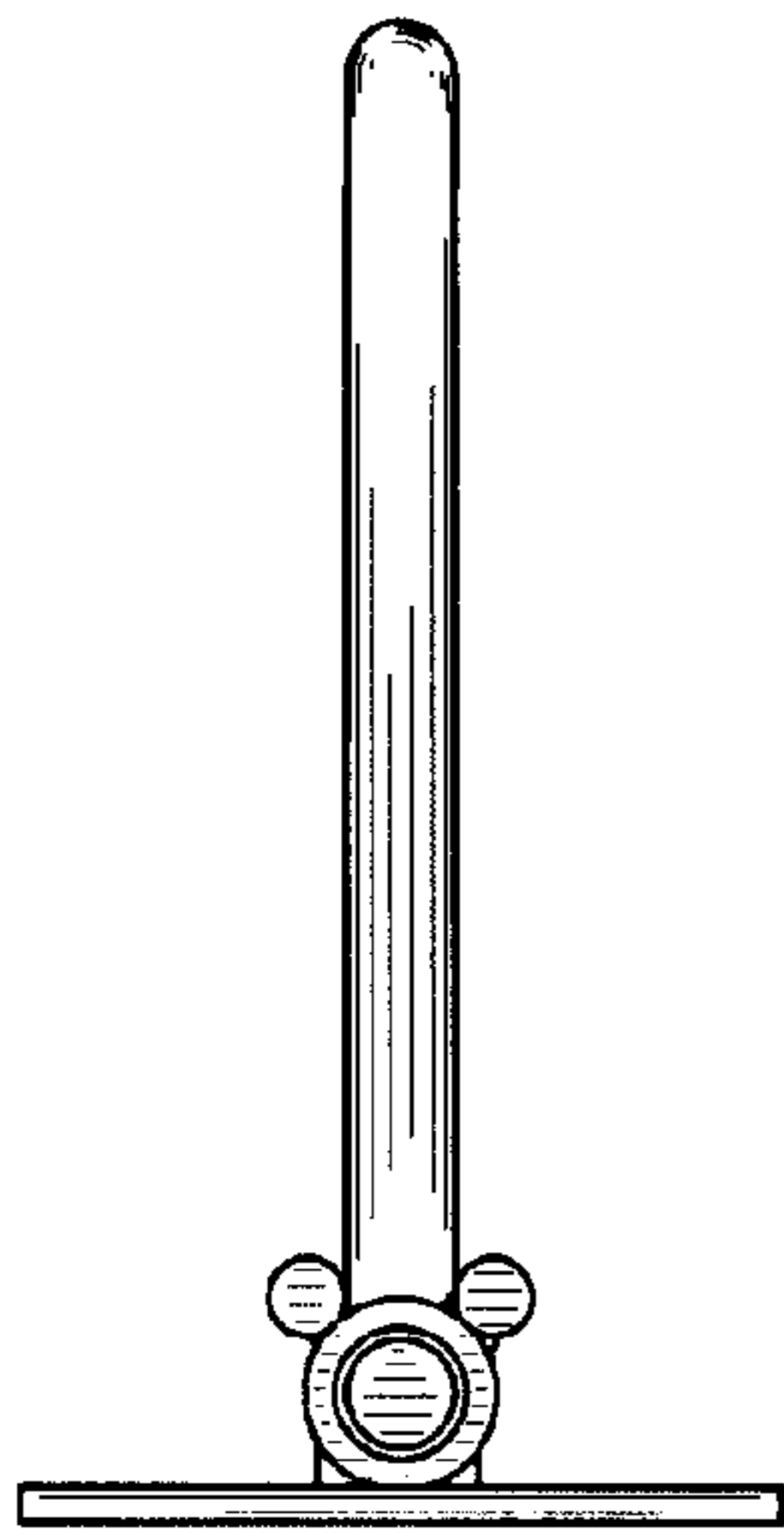


FIG. 3

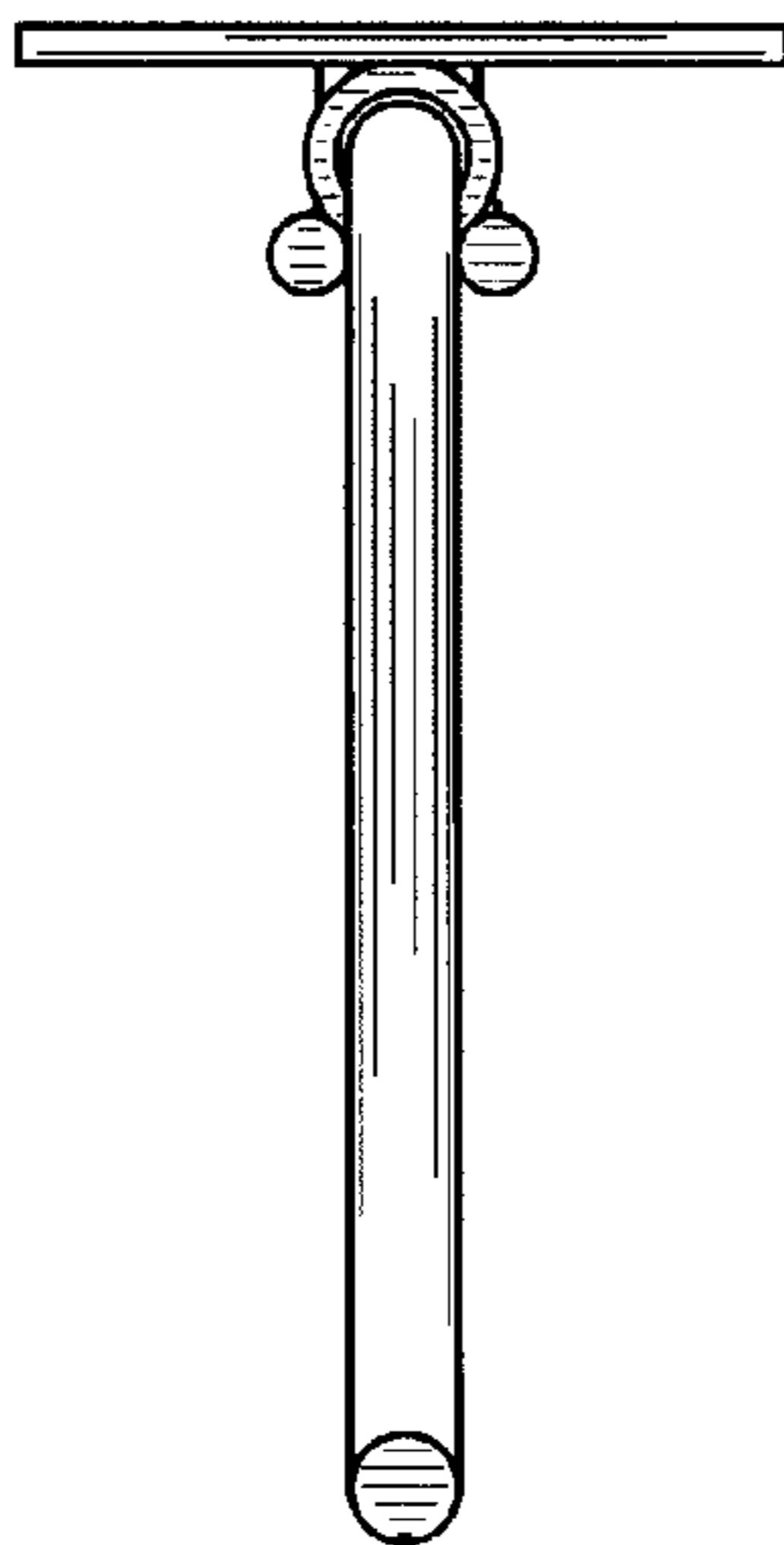


FIG. 2

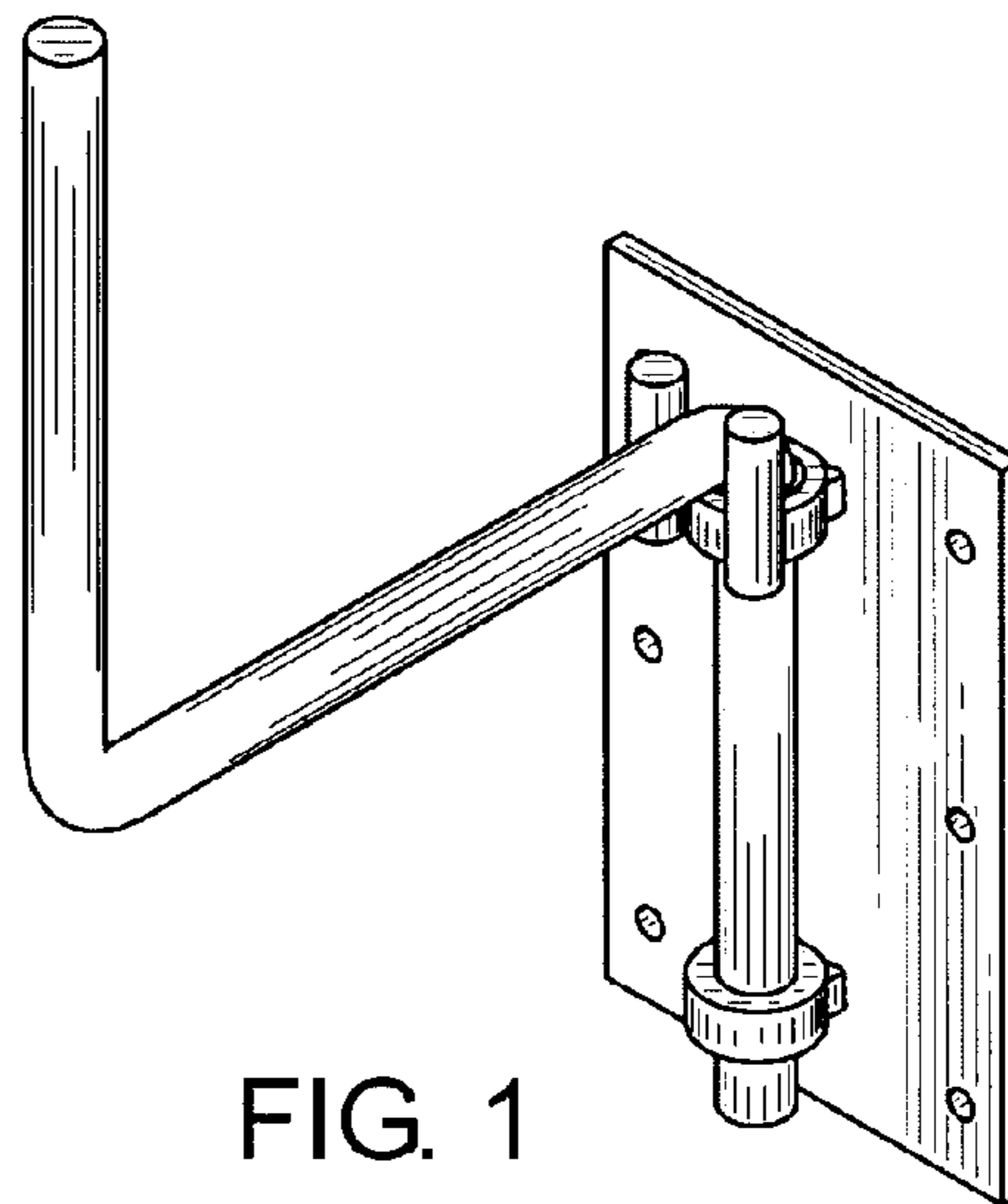


FIG. 1

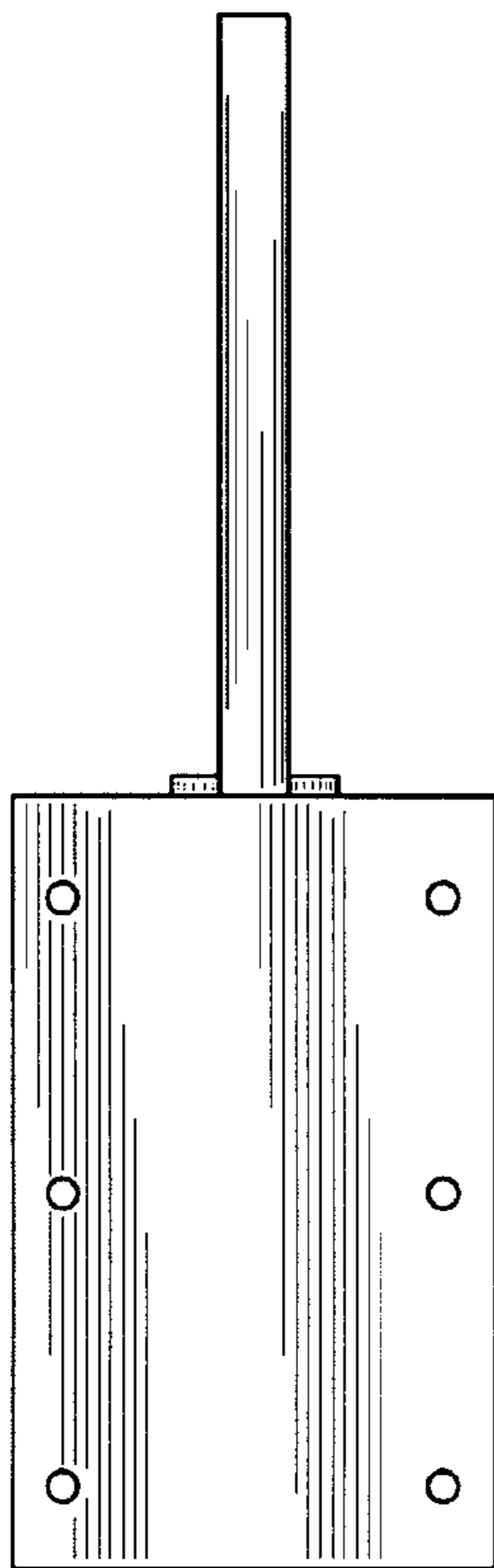


FIG. 4

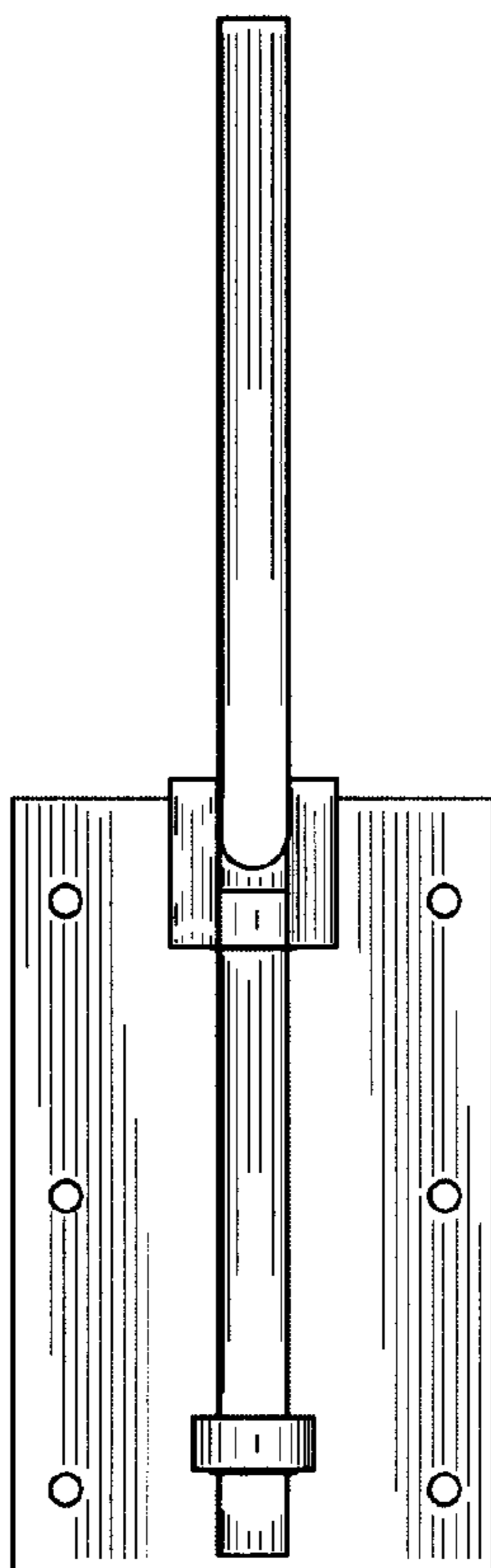


FIG. 5

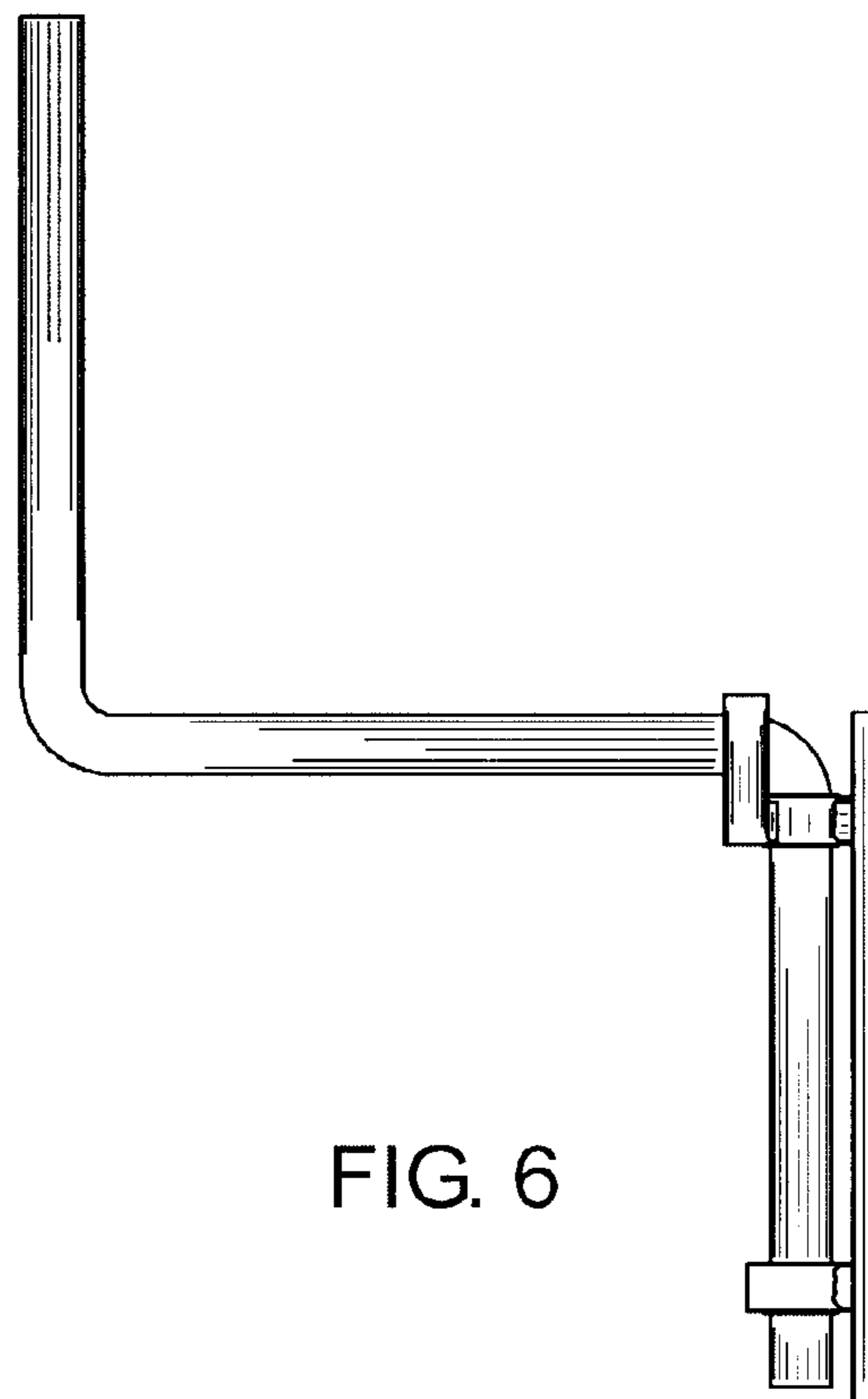


FIG. 6

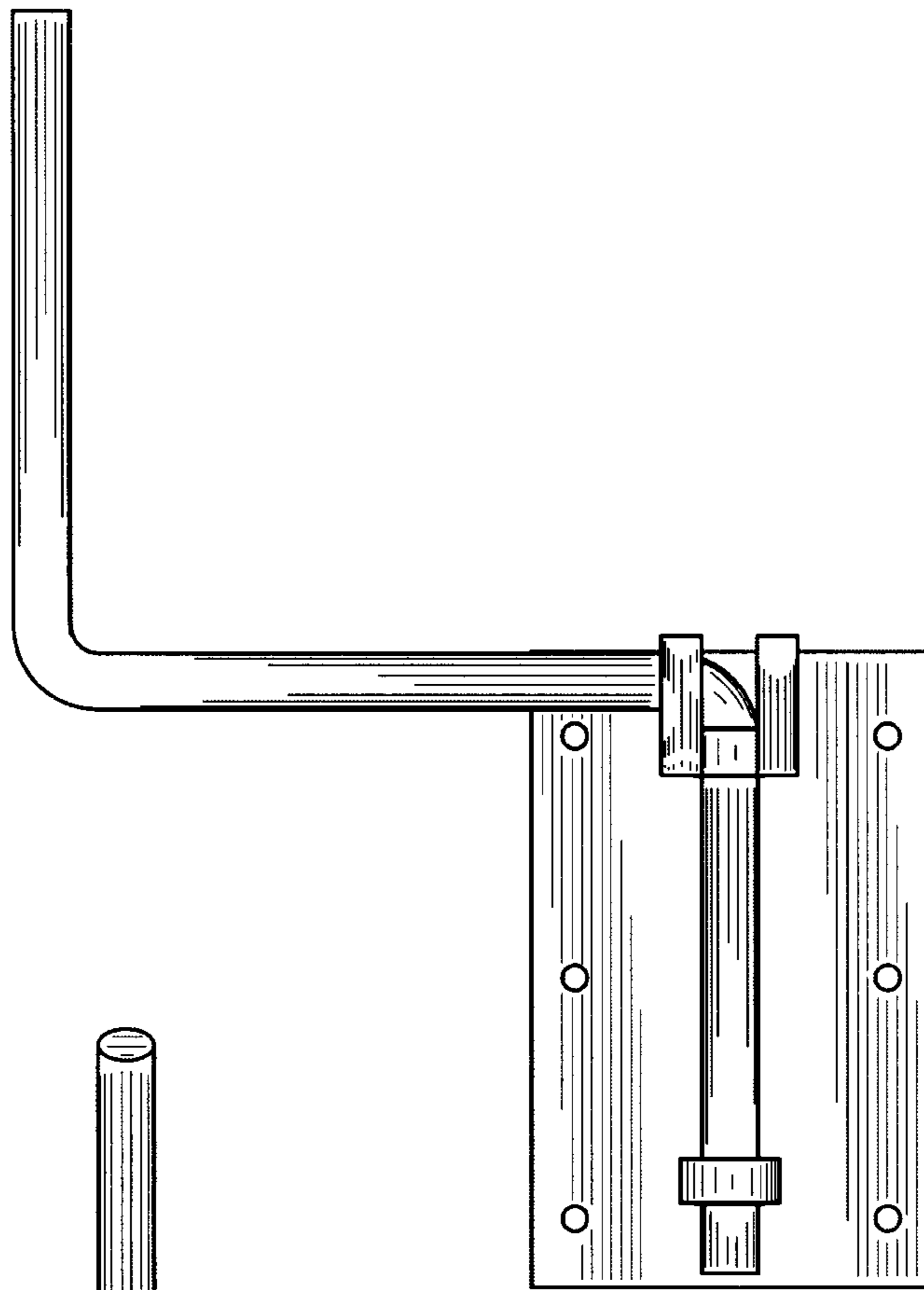


FIG. 7

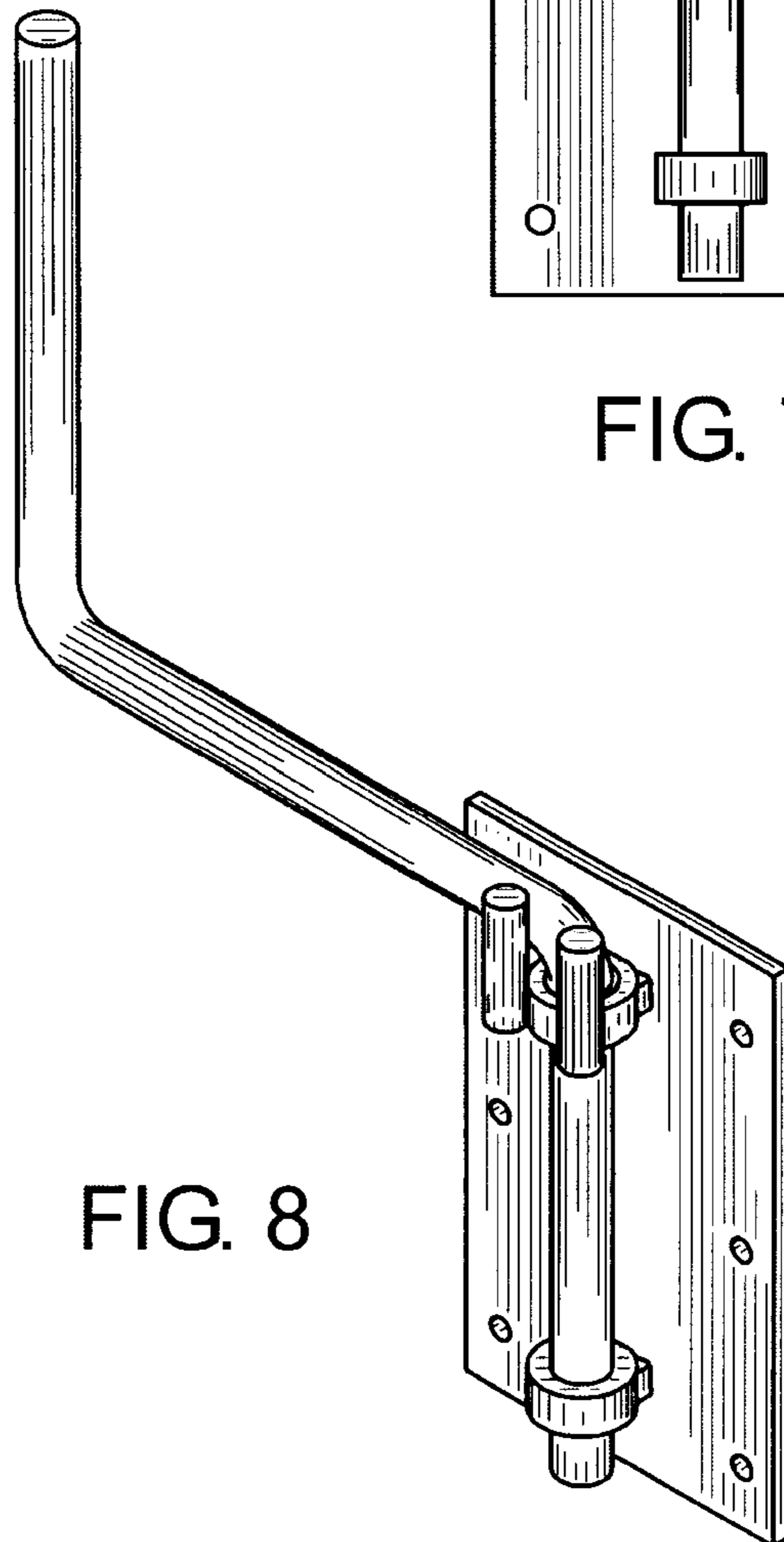


FIG. 8