



US00D529372S

(12) **United States Design Patent**
Kendall

(10) **Patent No.:** **US D529,372 S**

(45) **Date of Patent:** **** Oct. 3, 2006**

(54) **MOUNTING FLANGE**

D435,435 S * 12/2000 Shea D8/363

(75) Inventor: **Jeffrey Kendall**, Sydney (AU)

* cited by examiner

(73) Assignee: **Razorback Vehicles Corporation Limited**, New South Wales (AU)

Primary Examiner—Holly Baynham
(74) *Attorney, Agent, or Firm*—Townsend and Townsend and Crew LLP

(**) Term: **14 Years**

(57) **CLAIM**

(21) Appl. No.: **29/151,722**

The ornamental design for mounting flange, as shown and described.

(22) Filed: **Dec. 6, 2001**

(30) **Foreign Application Priority Data**

DESCRIPTION

May 30, 2001 (AU) 1740/2001

FIG. 1 is a front perspective view of my mounting flange design;

(51) **LOC (8) Cl.** **08-05**

FIG. 2 is a front elevational view thereof;

(52) **U.S. Cl.** **D8/363**

FIG. 3 is a plan view thereof;

(58) **Field of Classification Search** D8/349,
D8/354, 363, 373, 380; 248/300, 544, 224.51

FIG. 4 is an underside view thereof;

See application file for complete search history.

FIG. 5 is a side view thereof, the opposite side being a mirror image; and,

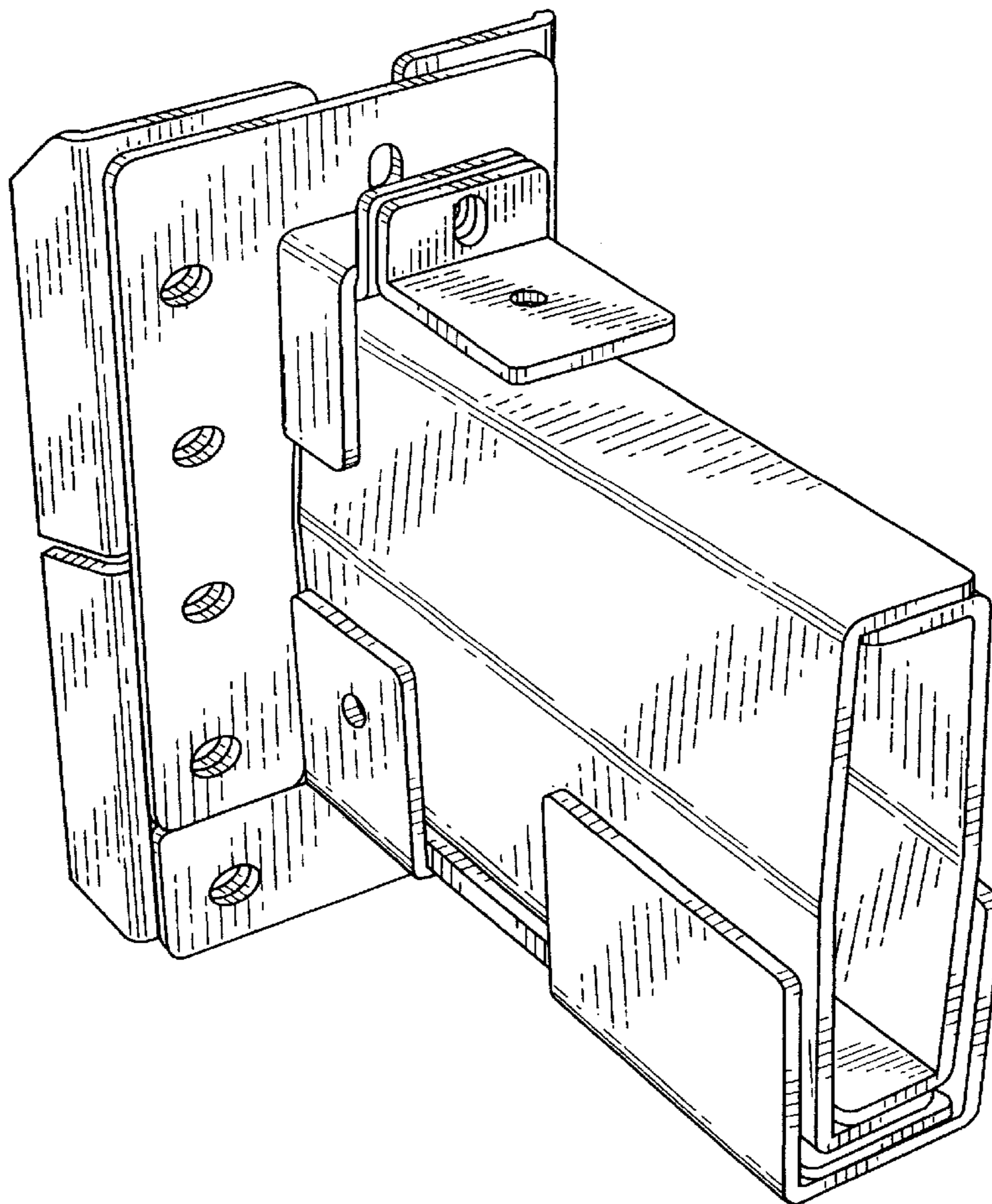
(56) **References Cited**

FIG. 6 is a rear view thereof.

U.S. PATENT DOCUMENTS

D383,374 S * 9/1997 Sammann D8/354

1 Claim, 6 Drawing Sheets



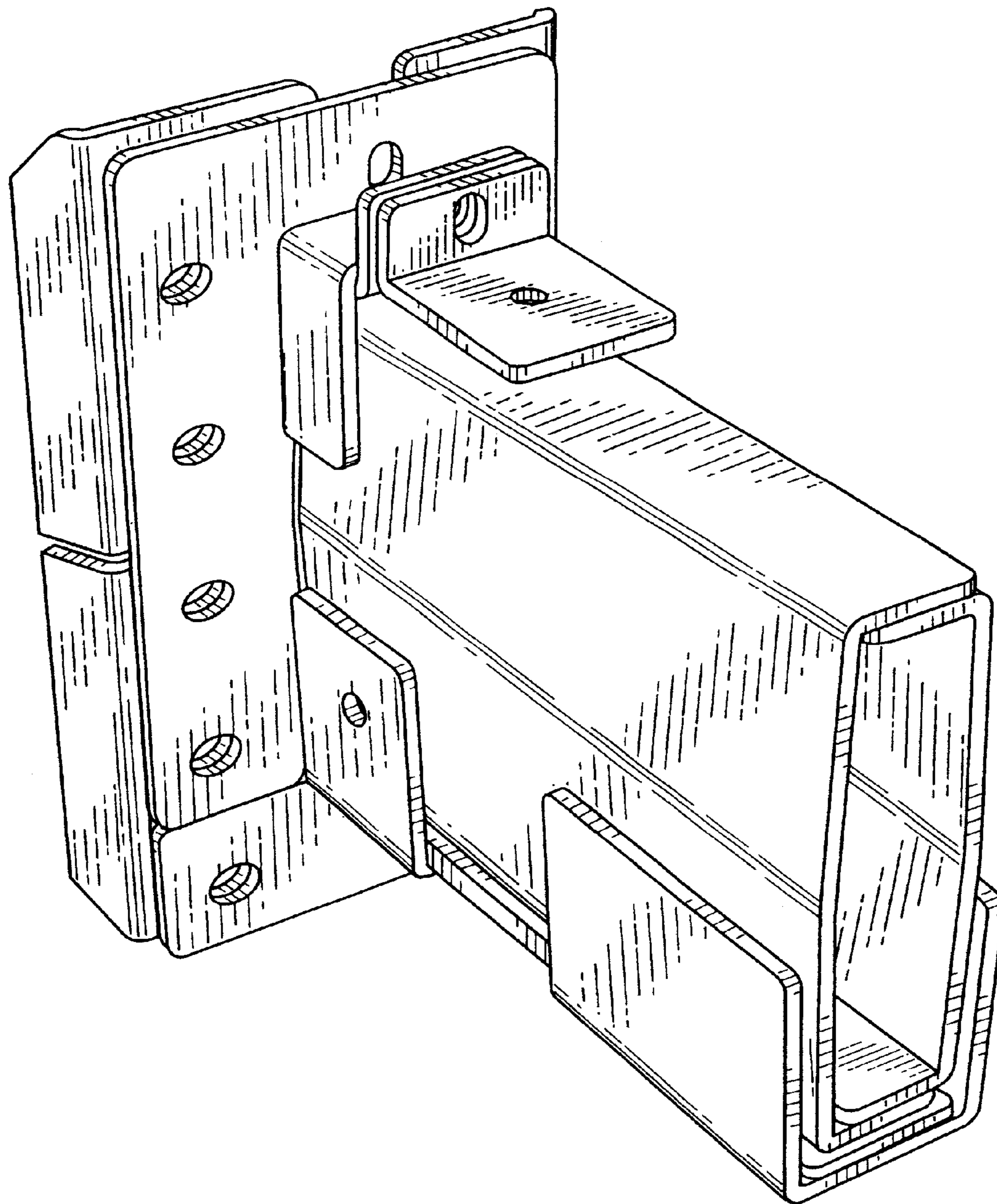


FIG. 1

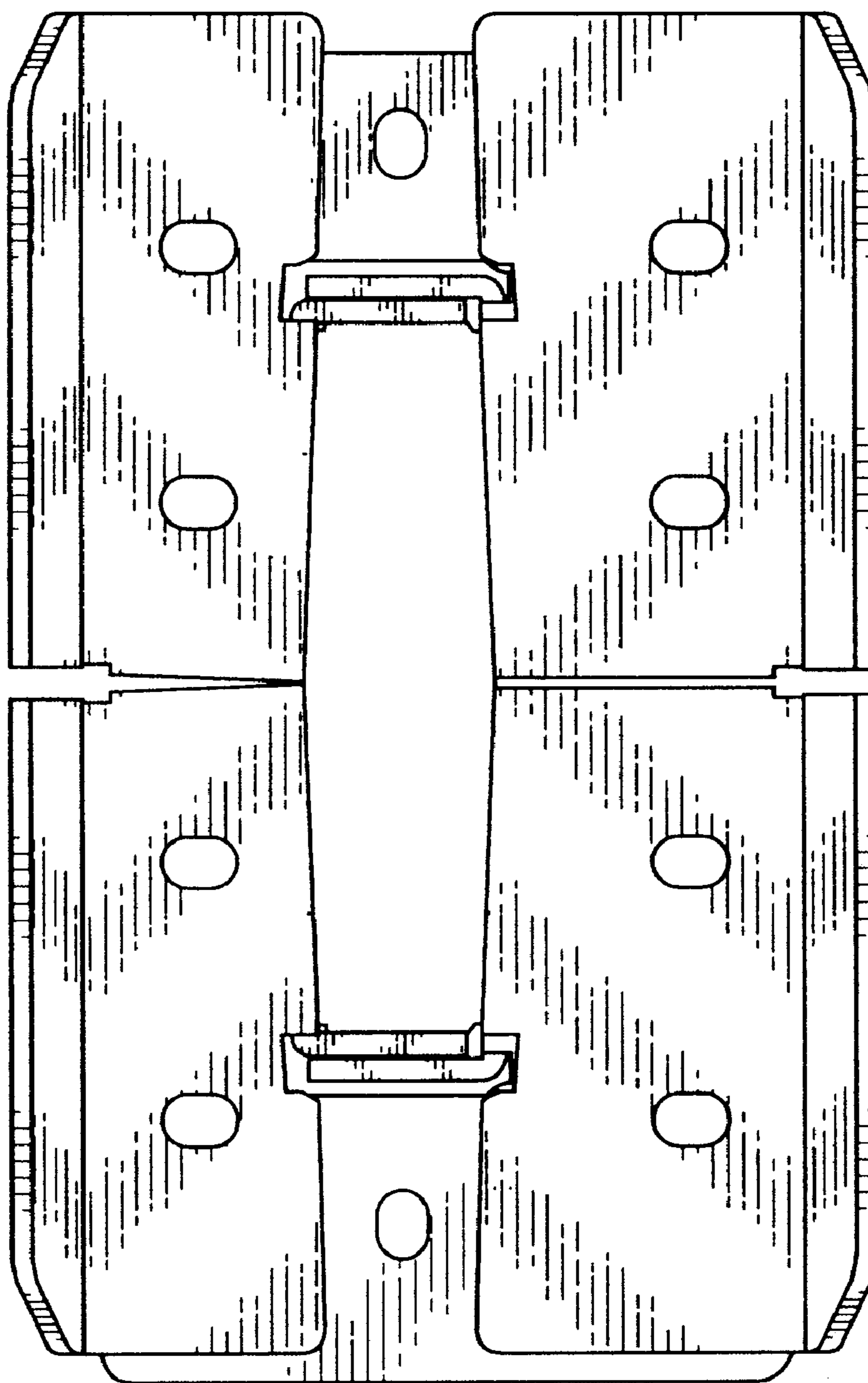


FIG. 2

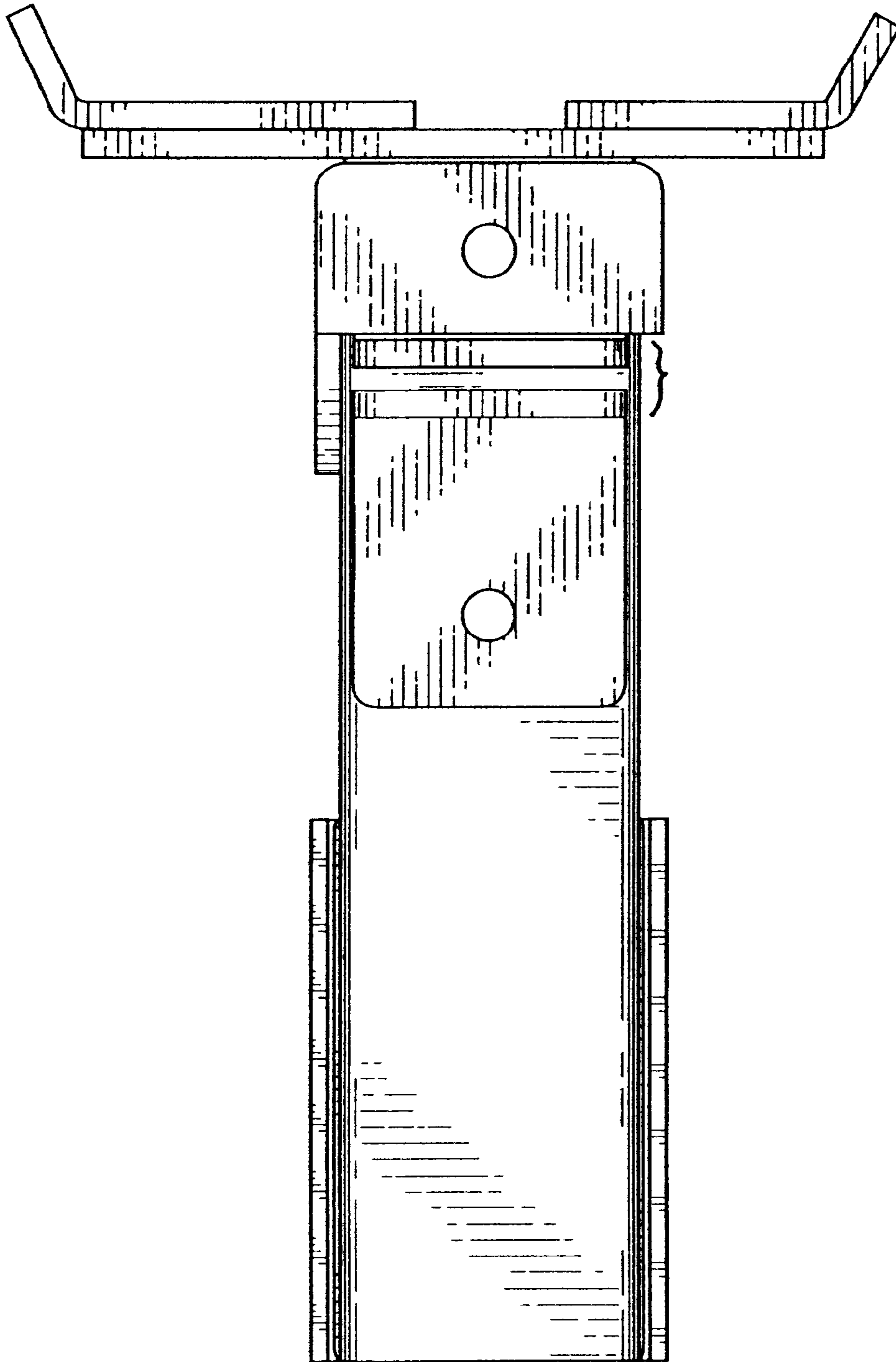


FIG. 3

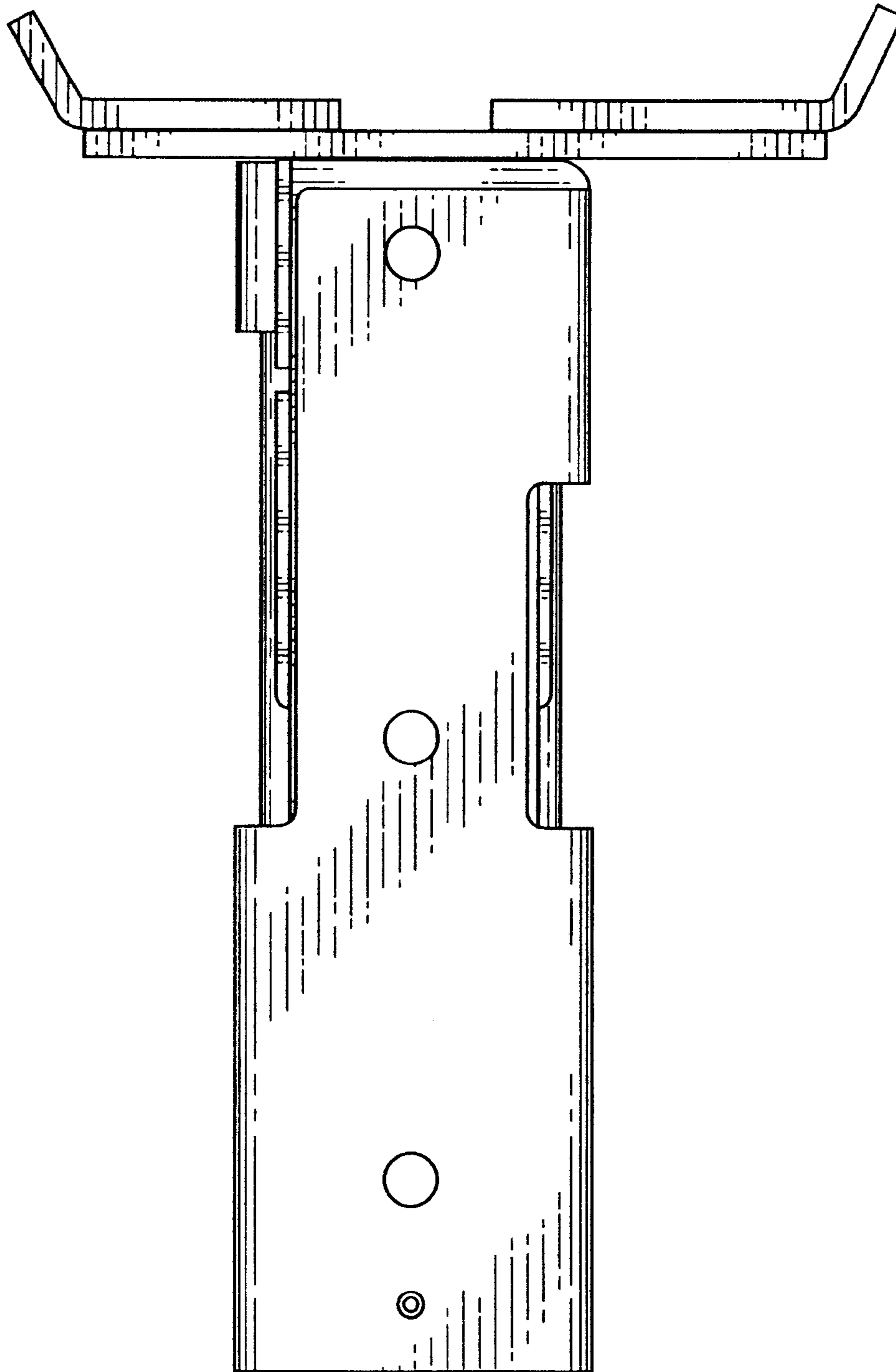


FIG. 4

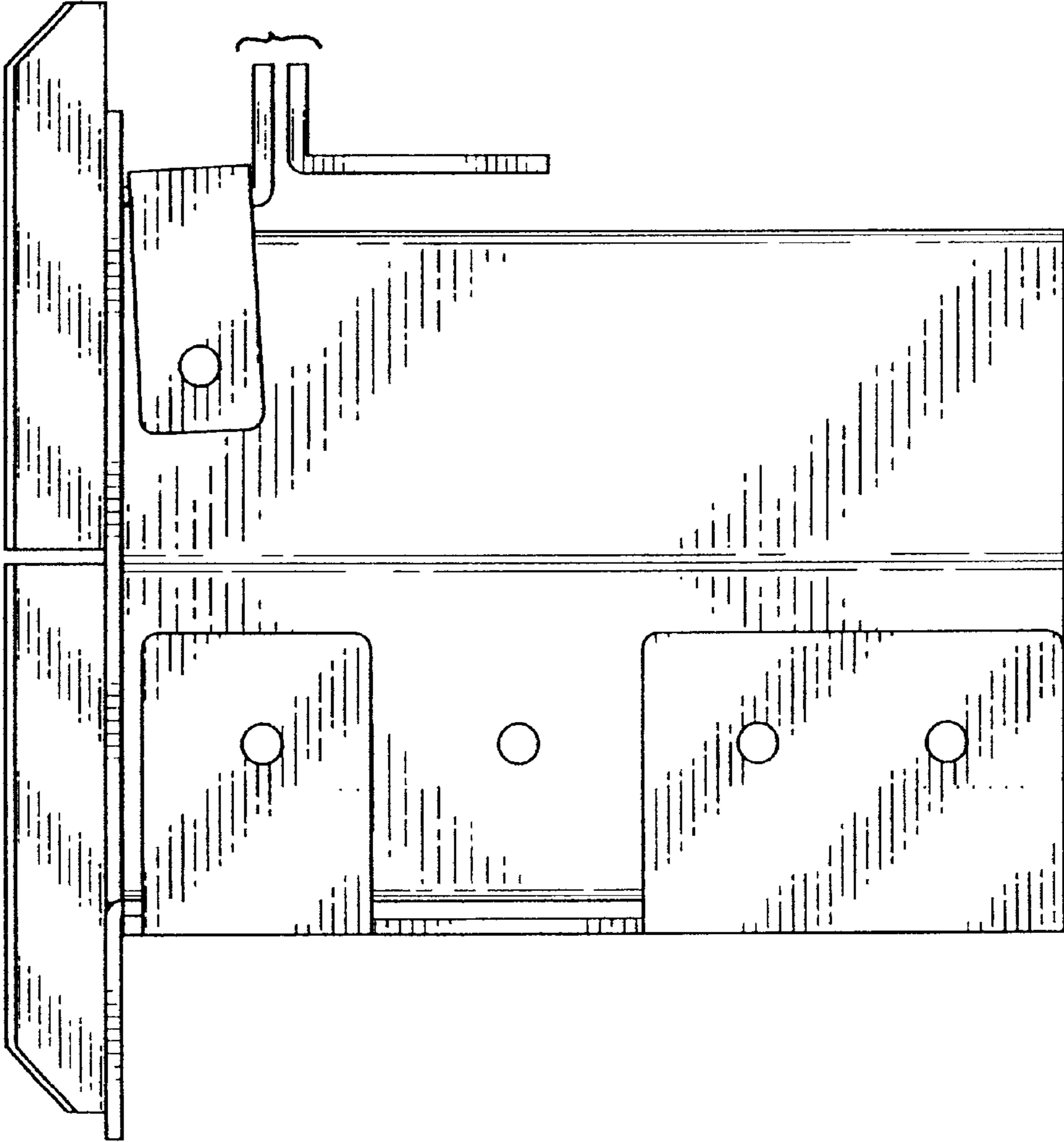


FIG. 5

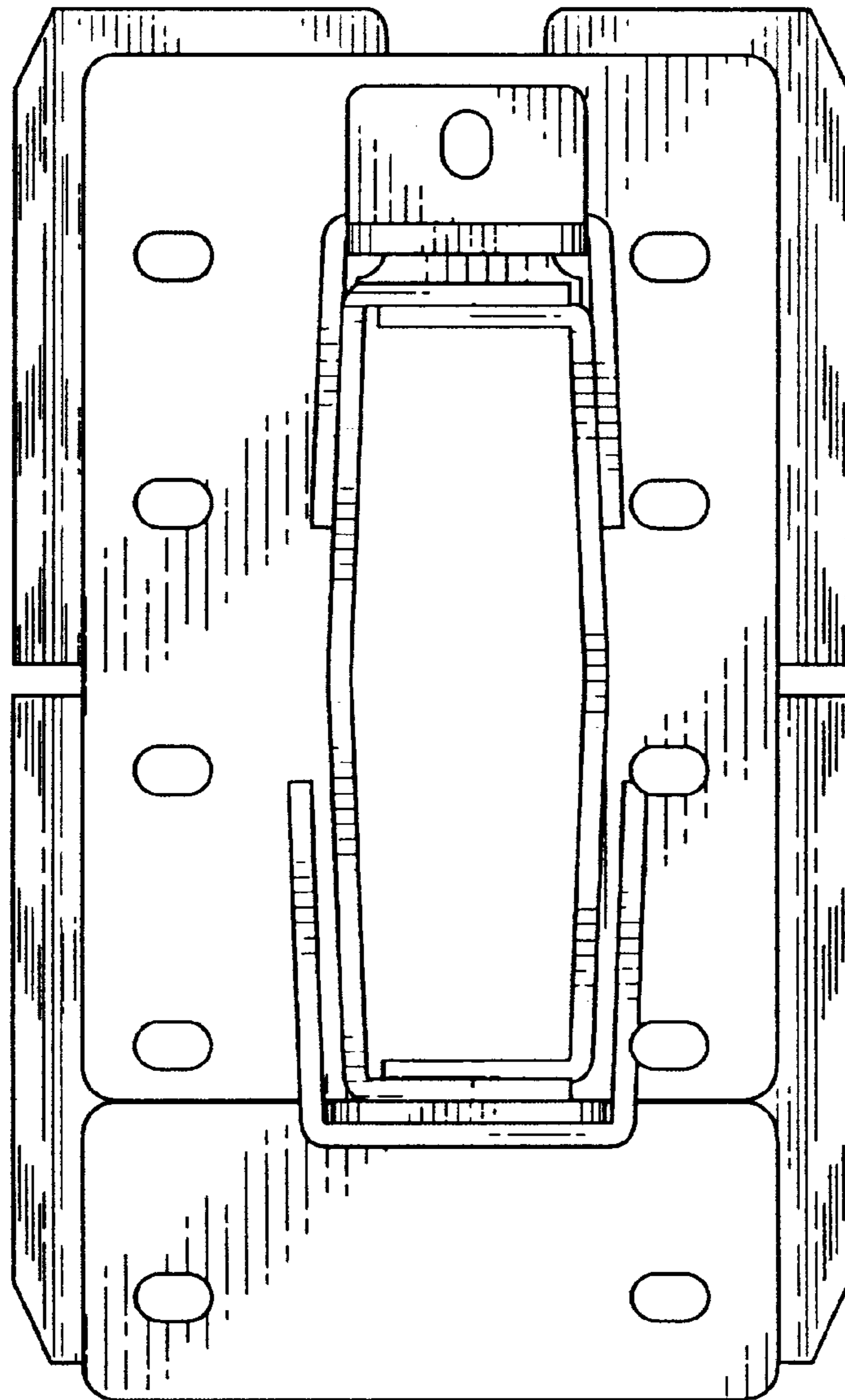


FIG. 6