



US00D529370S

(12) **United States Design Patent**
Parsons

(10) **Patent No.:** **US D529,370 S**

(45) **Date of Patent:** **** Oct. 3, 2006**

(54) **HANDCUFF KEY**

(75) Inventor: **Kevin L. Parsons**, Appleton, WI (US)

(73) Assignee: **Armament Systems and Procedures, Inc.**, Appleton, WI (US)

(**) Term: **14 Years**

(21) Appl. No.: **29/232,069**

(22) Filed: **Jun. 14, 2005**

(51) **LOC (8) Cl.** **08-07**

(52) **U.S. Cl.** **D8/347**

(58) **Field of Classification Search** D8/347,
D8/343, 330, 331; 70/14, 51, 285, 336.34,
70/17, 344-348, 15, 357, 361, 369, 382,
70/389, 393, 408, 413, 423, 429, 430, 460,
70/465, DIG. 47, DIG. 46, 16
See application file for complete search history.

(56) **References Cited**

U.S. PATENT DOCUMENTS

- D228,733 S * 10/1973 Perkins et al. D8/347
- D235,189 S * 5/1975 Tachi D8/347
- D244,667 S * 6/1977 Craft D8/347

- D259,239 S * 5/1981 DeWitt D8/347
- D289,731 S * 5/1987 Mennie D8/347
- D301,542 S * 6/1989 Kruger D8/347
- 5,660,064 A * 8/1997 Ecker et al. 70/16
- 5,937,680 A * 8/1999 Parsons 70/456 R
- 6,109,073 A * 8/2000 Parsons 70/16
- 6,446,474 B1 * 9/2002 Tabacchi et al. 70/16
- 6,880,369 B1 * 4/2005 Parsons 70/16

* cited by examiner

Primary Examiner—Prabhakar Deshmukh

(74) *Attorney, Agent, or Firm*—Welsh & Katz, Ltd.

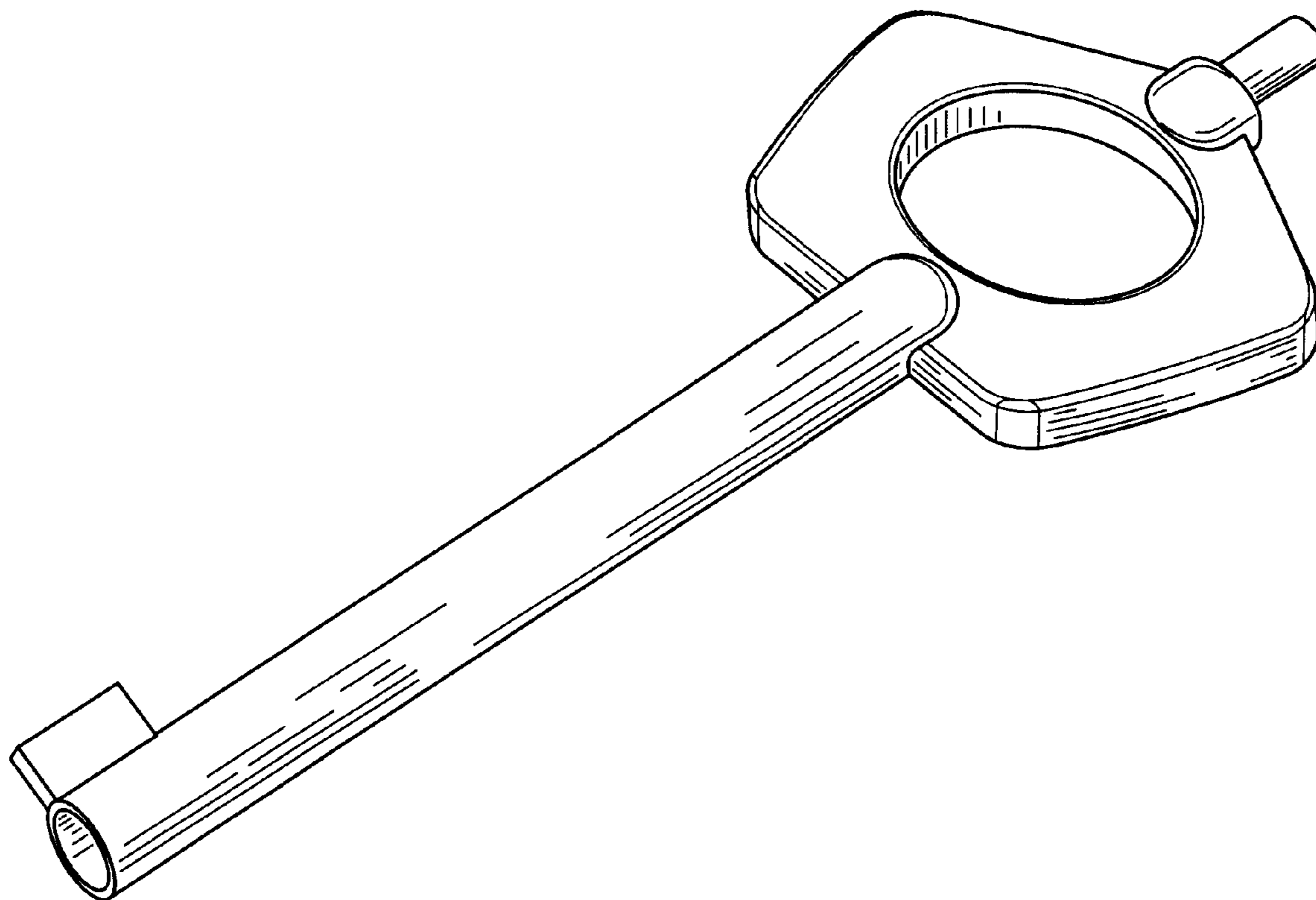
(57) **CLAIM**

The ornamental design for a handcuff key, as shown and described.

DESCRIPTION

FIG. 1 is a perspective view of the handcuff key design; FIG. 2 is a front elevational view thereof; FIG. 3 is a rear elevational view thereof; FIG. 4 is a left side elevational view thereof; FIG. 5 is a right side elevational view thereof; and, FIG. 6 is a top view thereof, the bottom view being substantially a mirror image thereof.

1 Claim, 2 Drawing Sheets



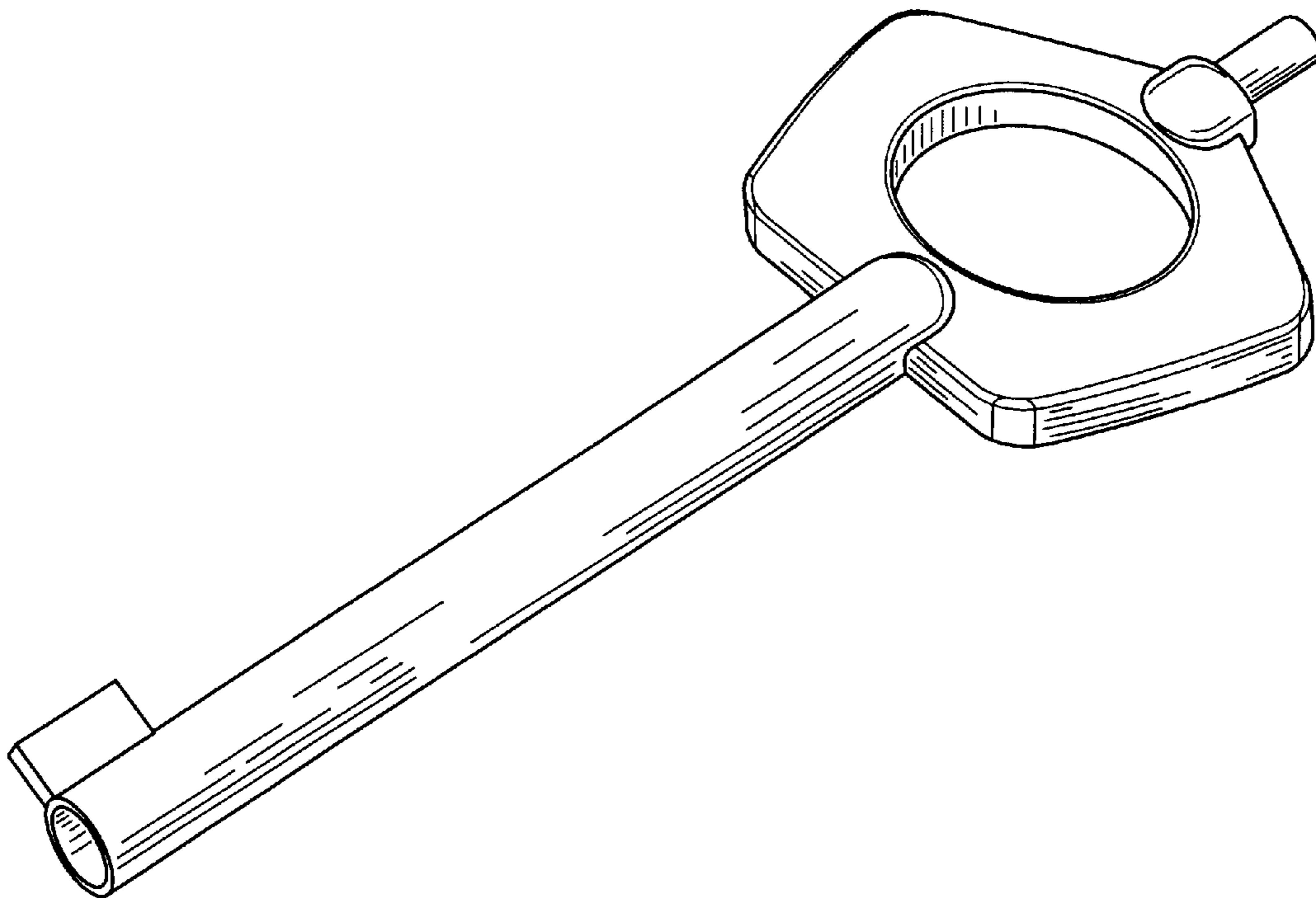


FIG. 1



FIG. 2



FIG. 3



FIG. 4

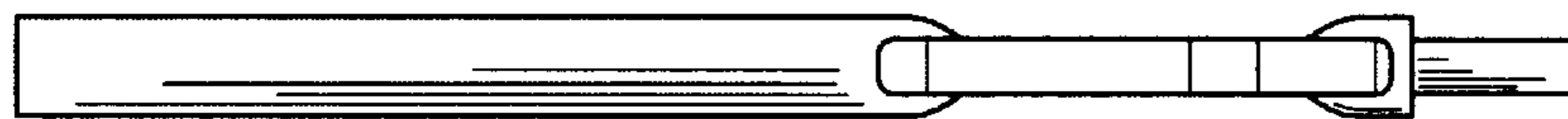


FIG. 5

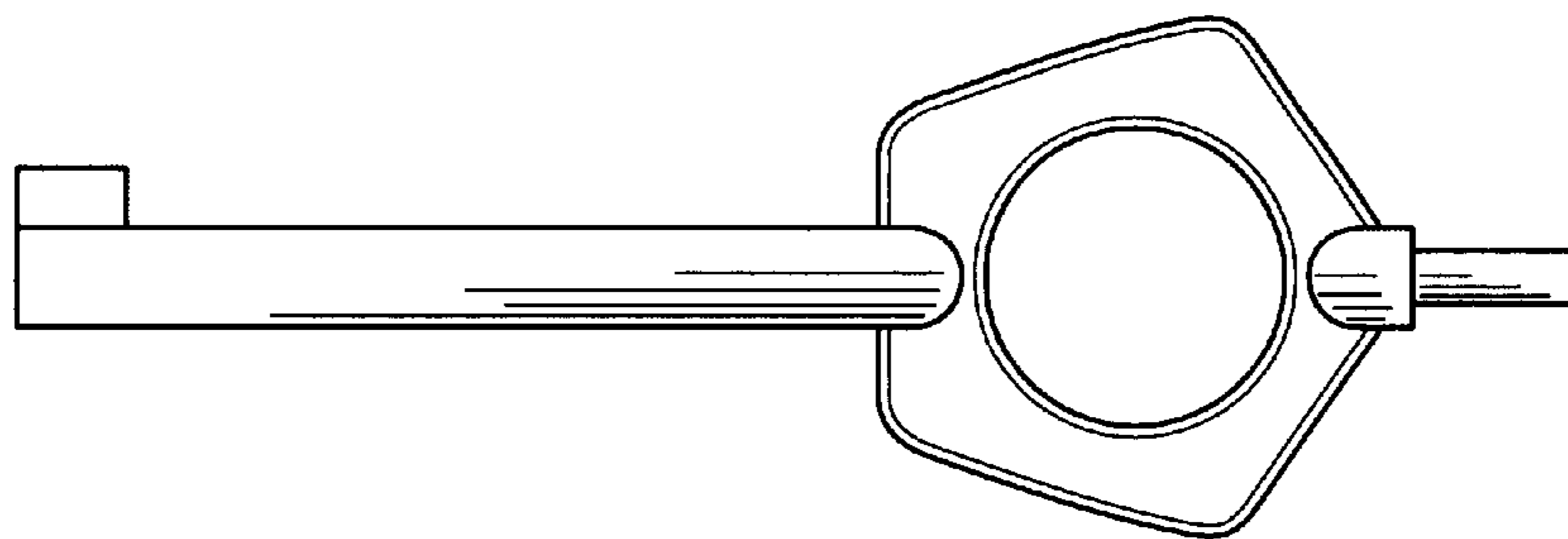


FIG. 6